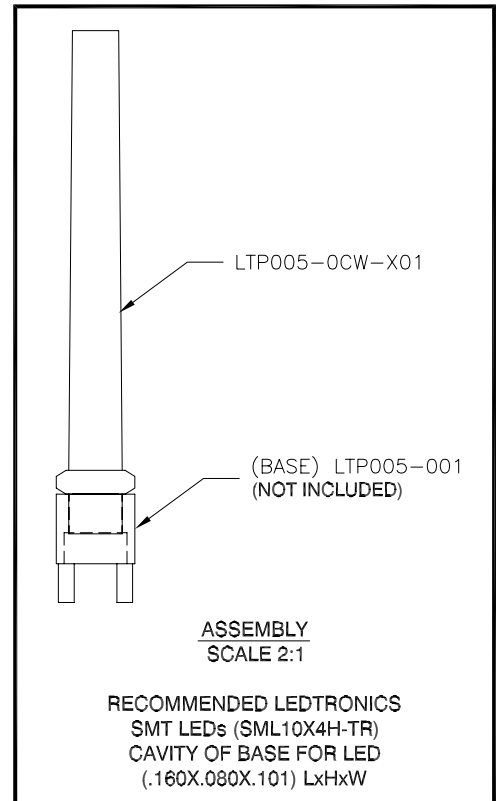
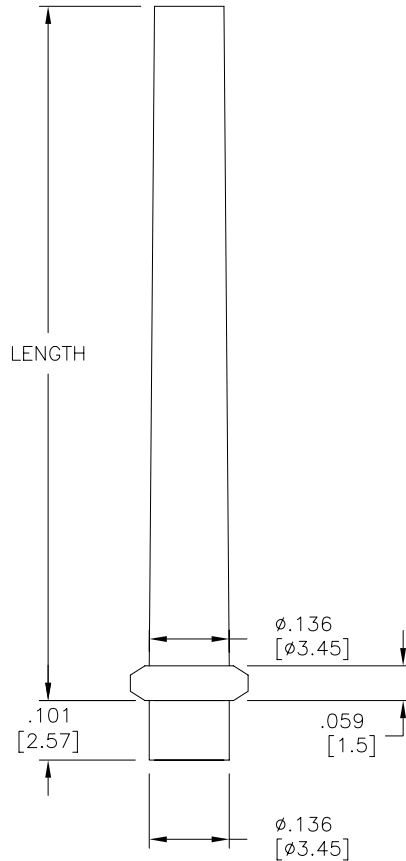
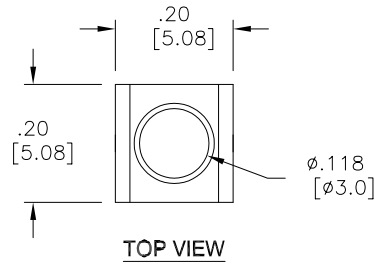


LTR	REVISION	DATE	APPD
E	081712-GP01: ADDED TAPER WALL ON TOP HALF	08-20-12	GP



PART NUMBER	LENGTH
LTP005-OCW-001	0.078 [2.0]
LTP005-OCW-101	0.157 [4.0]
LTP005-OCW-201	0.236 [6.0]
LTP005-OCW-301	0.335 [8.5]
LTP005-OCW-401	0.393 [10.0]
LTP005-OCW-501	0.590 [15.0]
LTP005-OCW-601	0.787 [20.0]
LTP005-OCW-701	1.18 [30.0]
LTP005-OCW-801	1.57 [40.0]
LTP005-OCW-901	1.97 [50.0]

**NOTES:**

- MATERIAL: POLYCARBONATE (OPTICAL QUALITY) OR ACRYLIC (OPTICAL QUALITY)
- COLOR: CLEAR
- PROCESS: INJECTION MOLDING
- FINISHED PRODUCT TO CONTAIN NO CRACKS, WELD LINES OR PARTIAL FILLS.
- FLAMABILITY: UL94-V0
- OPERATING TEMPERATURE: -60°C + 125°C
- USED ON (BASE) LTP005-001 ONLY.



REVISION NOTIFICATION	
<input type="checkbox"/>	PMA
<input type="checkbox"/>	UL
<input type="checkbox"/>	MADE IN USA
<input type="checkbox"/>	CUSTOMER _____
<input type="checkbox"/>	OTHER



**-PROPRIETARY-**  
This document contains Proprietary information of LEDTRONICS, INC. It may not be copied, used or disclosed for any purpose without the prior express written consent of LEDTRONICS, INC.

.XXX ± .010 TOLERANCE PER ANSI-Y14.5  
.XX ± .025 (UNLESS OTHERWISE STATED)  
ANGLES ± 0°,30'  
FRACT. ± 1/32

TITLE					
<b>LTP005-OCW-X01</b>					
DWG NO	SCALE	SHEET	DATE		
CMMS0163	3:1	1 OF 1	07-19-00		
CODE IDENT NO.	DWG BY	CHK BY	QA RD	MFG LD	R&D BJ
8Z410	07-19-00		08-21-12	08-20-12	08-20-12