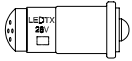
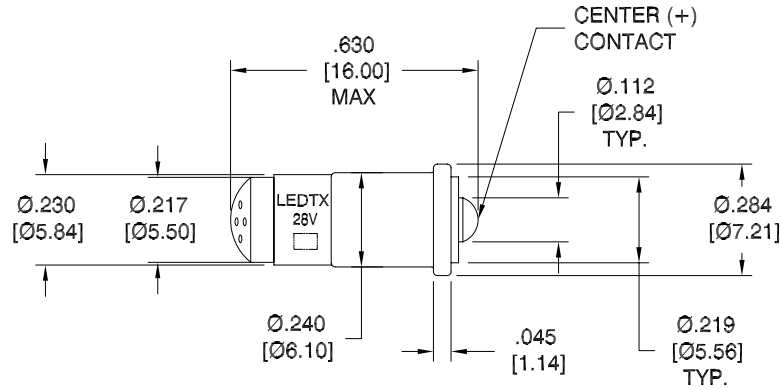


LTR	REVISION	DATE	APPD
A	121614-RTD01: UPDATED DIMENSIONS	04-06-15	GP



ACTUAL SIZE



NOTES:

1. ALL DIMENSIONS ARE IN INCHES [MILLIMETERS].
2. SLEEVE MATERIAL: RYNITE FR530
3. BASE MATERIAL: NICKEL PLATED BRASS
4. OPERATING TEMPERATURE: ~-30°C TO ~+50°C

**FULL BEAM WIDTH AT 50% INTENSITY



REVISION NOTIFICATION	
<input type="checkbox"/>	DLC
<input type="checkbox"/>	UL/ETL
<input type="checkbox"/>	MADE IN USA
<input type="checkbox"/>	CUSTOMER _____
<input type="checkbox"/>	OTHER

ELECTRICAL-OPTICAL CHARACTERISTICS (Ta = 25°C)

F206-0AG-028V	AQUA GREEN	28Vdc	0.364 W	0.012-0.014 A	1.200cd	528	160°
F206-0PB-028V	SUPER BLUE	28Vdc	0.364 W	0.012-0.014 A	0.150cd	470	160°
F206-0UG-028V	SUPER LIME GREEN	28Vdc	0.364 W	0.012-0.014 A	0.180cd	572	160°
F206-0UR-028V	ULTRA RED	28Vdc	0.364 W	0.012-0.014 A	0.210cd	663	160°
F206-0UY-028V	ULTRA YELLOW	28Vdc	0.364 W	0.012-0.014 A	0.225cd	593	160°
LEDTRONICS PART NO.	COLOR EMITTED	INPUT VOLTAGE, V	POWER (W)	CURRENT (A)	MAXIMUM CANDELA	λP nm	VIEWING ANGLE**



-PROPRIETARY-
 This document contains Proprietary information of LEDTRONICS, INC. It may not be copied, used or disclosed for any purpose without the prior express written consent of LEDTRONICS, INC.
 .XXX ± .010 TOLERANCE PER ANSI-Y14.5
 .XX ± .025 (UNLESS OTHERWISE STATED)
 ANGLES ± 0°,30'
 FRACT. ± 1/32

TITLE							
F206-0XX-028V							
DWG NO		SCALE		SHEET		DATE	
F206-28V-P-2		2:1		1 OF 1		10-05-10	
CODE IDENT NO.	DWG BY	CHK BY	QA	MFG	R&D		
8Z410	GP		JH	LD	LUV		
	10-05-10		04-06-15	04-06-15	04-07-15		