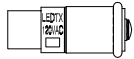
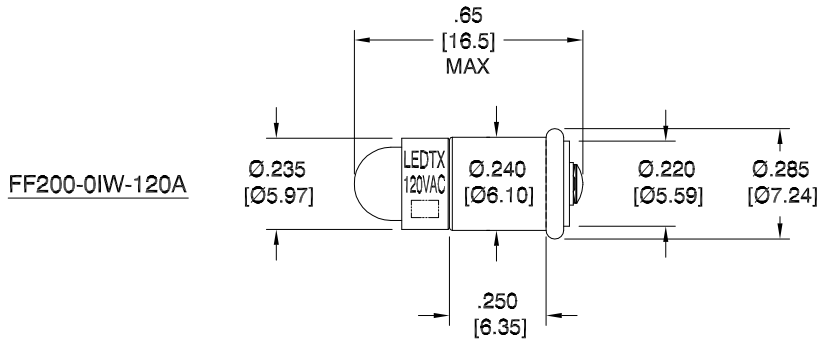
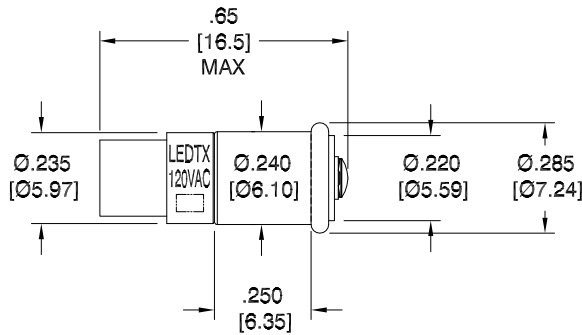


LTR	REVISION	DATE	APPD
C	051618-GP01: UPDATED TEST DATA	06-01-08	GP



ACTUAL SIZE



NOTES:

1. ALL DIMENSIONS ARE IN INCHES [MILLIMETERS].
2. SLEEVE MATERIAL: RYNITE
3. BASE MATERIAL: SHELL, NICKEL PLATED BRASS
4. RIVET CAP MATERIAL: BRASS, GRADE B, .0005 THK.
FINISH: NICKEL PLATE PER MIL SPEC MIL-C-26074
5. OPERATING TEMPERATURE: ~-30°C TO ~+50°C

**FULL BEAM WIDTH @ 50% INTENSITY

REVISION NOTIFICATION	
<input type="checkbox"/>	DLC
<input type="checkbox"/>	UL/ETL
<input type="checkbox"/>	MADE IN USA
<input type="checkbox"/>	CUSTOMER _____
<input type="checkbox"/>	OTHER _____
REDLINE CHECKLIST	
<input type="checkbox"/>	REDLINE(YES)
<input type="checkbox"/>	DATE: _____
<input type="checkbox"/>	INITIATED BY: _____
<input type="checkbox"/>	ECR REQUIRED YES <input type="checkbox"/> NO <input type="checkbox"/>
<input type="checkbox"/>	WORK ORDER# _____

ELECTRICAL - OPTICAL CHARACTERISTICS (Ta = 25°C)

FF200-0AG-120A	AQUA GREEN	120Vac	0.40 W	0.005 A	0.350cd	518nm	-	110°	A = AC
FF200-0CW-120A	COOL WHITE	120Vac	0.40 W	0.005 A	0.600cd	-	8000K	100°	A = AC
FF200-0ER-120A	SUPER RED	120Vac	0.38 W	0.005 A	0.145cd	637nm	-	110°	A = AC
FF200-0IW-120A	WARM WHITE	120Vac	0.40 W	0.005 A	0.500cd	-	3000K	105°	A = AC
FF200-0PB-120A	SUPER BLUE	120Vac	0.40 W	0.005 A	0.085cd	462nm	-	92°	A = AC
FF200-0UO-120A	SUPER ORANGE	120Vac	0.38 W	0.005 A	0.200cd	610nm	-	125°	A = AC
FF200-0UR-120A	ULTRA RED	120Vac	0.40 W	0.005 A	0.028cd	652nm	-	120°	A = AC
FF200-0UY-120A	SUPER YELLOW	120Vac	0.40 W	0.005 A	0.176cd	594nm	-	110°	A = AC
LEDTRONICS PART NO.	COLOR EMITTED	INPUT VOLTAGE, V	POWER (W)	CURRENT (A)	MAXIMUM CANDELA	λP nm	COLOR TEMP. (Kelvin)	VIEWING ANGLE**	CENTER CONTACT POLARITY

LED[®]
LEDTRONICS,™ INC.
 23105 KASHIWA COURT
 TORRANCE, CA 90505

-PROPRIETARY-
 This document contains Proprietary information of LEDTRONICS,™ INC. It may not be copied, used or disclosed for any purpose without the prior express written consent of LEDTRONICS,™ INC.
 .XXX ± .010 TOLERANCE PER ANSI-Y14.5
 .XX ± .025 (UNLESS OTHERWISE STATED)
 ANGLES ± 0°,30'
 FRACT. ± 1/32

TITLE					
FF200-0XX-120A					
DWG NO	SCALE	SHEET	DATE		
FF200-120VAC	2:1	1 OF 1	05-09-07		
CODE IDENT NO.	DWG BY GP	CHK BY	QA EE	MFG LD	R&D KS
8Z410	05-09-07		06-06-18	06-06-18	06-06-18