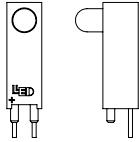
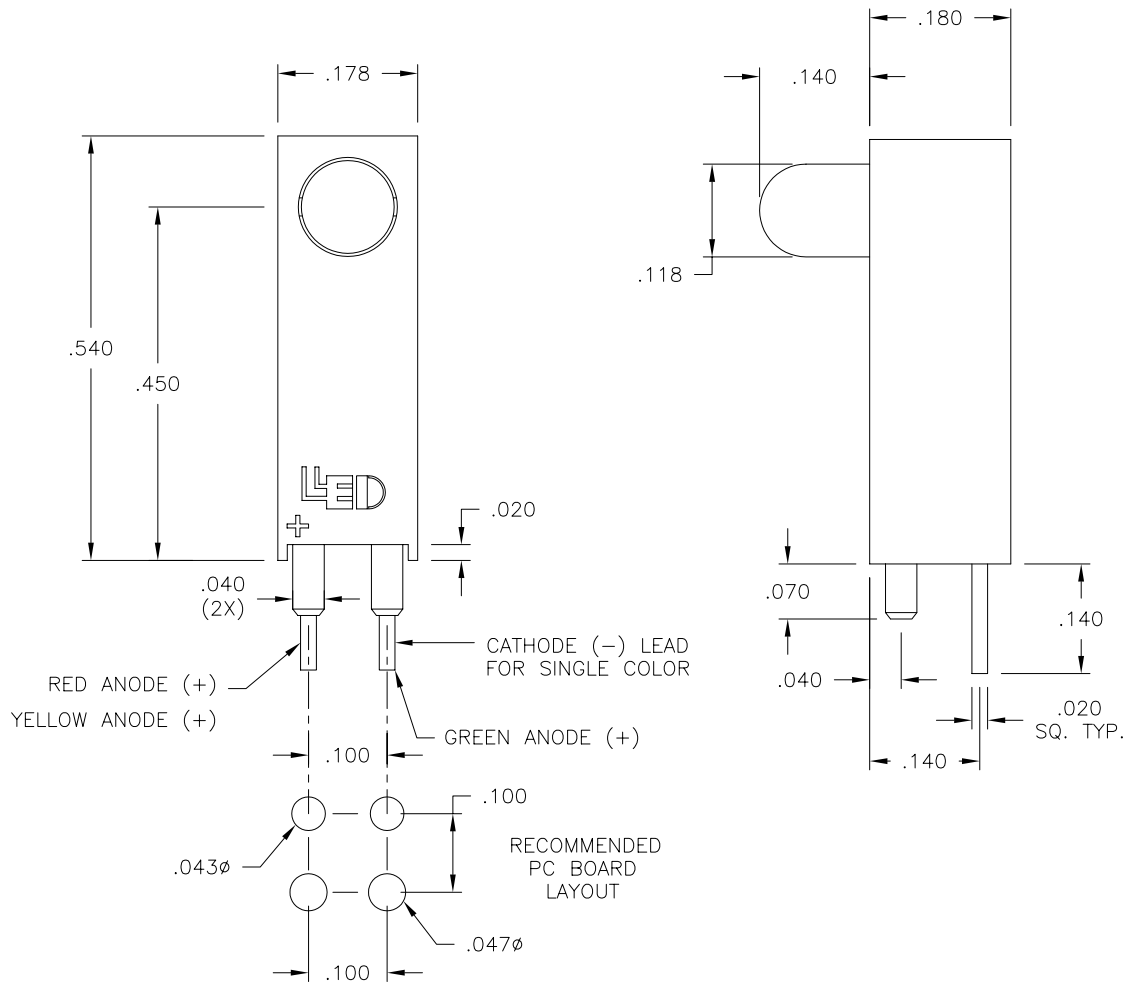


Actual Size



LTR	REVISION	DATE	APPD
D	062405-RM01:ADDED PC145TUB5 PART	06-22-05	



PART NUMBER	L.E.D. RADIATION COLOR	L.E.D. APPEARANCE	ABSOLUTE MAXIMUM RATINGS (T <sub>a</sub> =25°C)				ELECTRO-OPTICAL CHARACTERISTICS (T <sub>a</sub> =25°C)					
			P <sub>d</sub> mW	I <sub>fp</sub> mA	I <sub>f</sub> mA	V <sub>r</sub> V	I <sub>f</sub> mA	I <sub>v</sub> mcd typ	V <sub>f</sub> =V typ/max	VIEW ANGLE	I <sub>r</sub> max μA	λ <sub>P</sub> nm
PC145TR5	HI-EFF RED	DIFFUSED	100	150	30	5	20	20/32	2.0/2.6	50	100	635
PC145TY5	YELLOW	DIFFUSED	100	150	30	5	20	14/24	2.1/2.6	50	100	585
PC145TG5	HI-EFF GREEN	DIFFUSED	100	150	30	5	20	11/18	2.2/2.6	50	100	568
PC145TUB5	ULTRA BLUE	DIFFUSED	140	150	30	5	20	60	3.8/4.5	45	100	430
PC145TWRG4B	HI-EFF RED	DIFFUSED	100	150	30	5	20	45.0	2.0/2.6	55	100	635
	HI-EFF GREEN	DIFFUSED	100	150	30	5	20	50.0	2.2/2.6	55	100	568



**LEDTRONICS, INC.**  
23105 KASHIWA COURT  
TORRANCE, CA 90505

**-PROPRIETARY-**  
This document contains Proprietary information of LEDTRONICS, INC.. It may not be copied, used or disclosed for any purpose without the prior express written consent of LEDTRONICS, Inc..

.XXX ± .010 TOLERANCE PER ANSI-Y14.5  
.XX ± .025 (UNLESS OTHERWISE STATED)  
ANGLES ± 0°,30'  
FRACT. ± 1/32

TITLE <b>PC145TX5</b>			
DWG NO SDPC0456-CUST	SCALE 4:1	SHEET 1 OF 1	DATE 09-05-00
CODE IDENT NO. 8Z410	DWG BY RM	CHK BY PL	QA MFG CUSTOMER