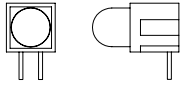
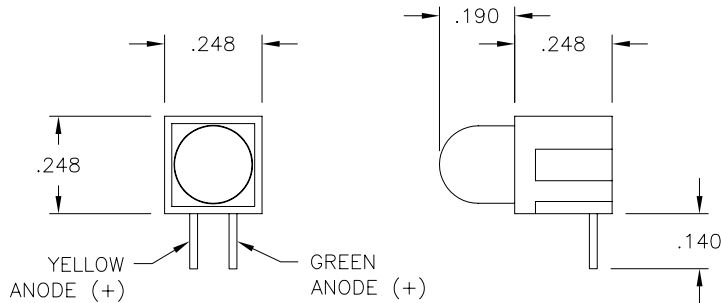


LTR	REVISION	DATE	APPD
A	120805--RM01:LED S/B DEFLANGED	12-08-05	RM



Actual Size



FOOTPRINT

**NOTES**

1. ALL DIMENSIONS ARE IN INCHES.

PC200TWYG4B-140	YELLOW	20	2.1/2.6	55	585
	HI-EFF GREEN	20	2.2/2.6	65	568
LEDTRONICS PART NO.	COLOR EMITTED	I mA typ	VOLTS min/typ	Iv mcd typ	λP nm
		ELECTRICAL TEST			

**LED**<sup>®</sup>  
LEDTRONICS,™ INC.  
23105 KASHIWA COURT  
TORRANCE, CA 90505

**-PROPRIETARY-**  
This document contains Proprietary  
information of LEDTRONICS,™ INC.  
It may not be copied, used or disclosed  
for any purpose without the prior express  
written consent of LEDTRONICS,™ INC.

.XXX ± .010 TOLERANCE PER ANSI-Y14.5  
.XX ± .025 (UNLESS OTHERWISE STATED)  
ANGLES ± 0°,30'  
FRACT. ± 1/32

TITLE <b>PC200TWYG4B-140</b>			
DWG NO SDPC0547-CUST	SCALE 2:1	SHEET 1 OF 1	DATE 06-19-03
CODE IDENT NO. 8Z410	DWG BY WB	CHK BY PL	QA GZ MFG 12-12-05
CUSTOMER			