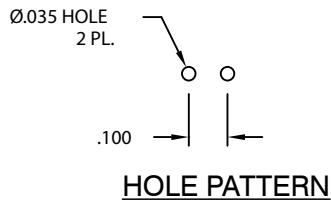
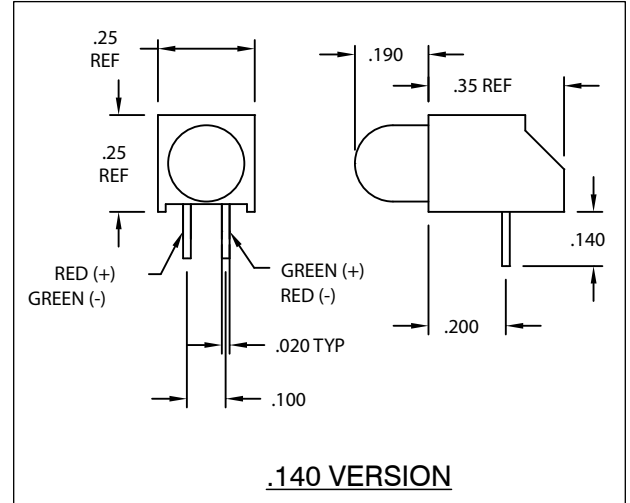
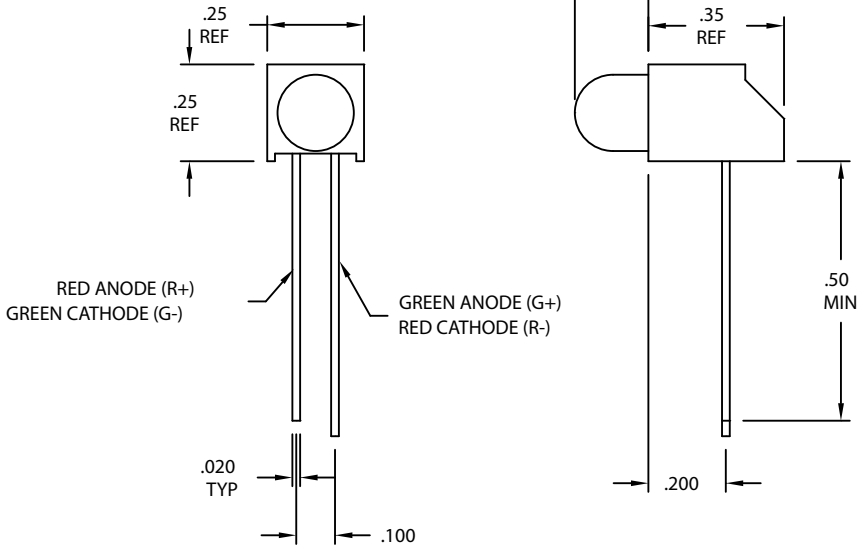
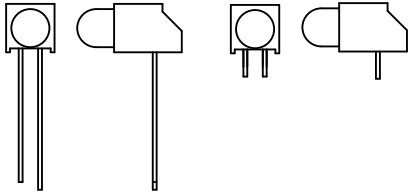


Actual Size



LEDTRONICS PART NO.	L.E.D. RADIATION COLOR	ABSOLUTE MAXIMUM RATINGS (Ta=25°C)					ELECTRO-OPTICAL CHARACTERISTICS (Ta=25°C)					
		Pd mW	Ifp mA	If mA	Vr V	Topr (°C)	If mA	Iv mcd min/typ	Vf=V typ/ma	VIEW ANGLE	Ir max μA	λp nm
PCT200TWRG4B	GREEN	100	120	30	5	-20°C TO +85°C	20	3.0/6.0	2.1/2.8	40	100	568
	HI-EFF RED	100	120	30	5	-20°C TO +85°C	20	3.0/6.0	2.0/2.8	40	100	635
PCT200TWRG4A/PCT200TWRG4A-140	GREEN	100	120	30	5	-20°C TO +85°C	20	4/12	2.1/2.8	50	100	568
	ULTRA RED	100	200	40	4	-20°C TO +85°C	20	11/38	1.8/2.4	50	100	660
PCT200TWRG4	GREEN	100	120	30	5	-20°C TO +85°C	20	4/12	2.1/2.8	50	100	568
	ULTRA RED	100	200	40	4	-20°C TO +85°C	20	11/38	1.8/2.4	50	100	660
PCT200TWR4B	HI-EFF RED	80	150	30	5	-40°C TO +85°C	20	70.0	2.0/2.6	45	100	635
	YELLOW	100	150	30	5	-40°C TO +85°C	20	60.0	2.1/2.6	45	100	585



**-PROPRIETARY-**  
 This document contains Proprietary information of LEDTRONICS, INC.™ It may not be copied, used or disclosed for any purpose without the prior express written consent of LEDTRONICS, INC.™  
 .XXX ± .010 TOLERANCE PER ANSI-Y14.5  
 .XX ± .025 (UNLESS OTHERWISE STATED)  
 ANGLES ± 0°, 30'  
 FRACT. ± 1/32

TITLE				PCT200TWXXX-(140)			
DWG NO		SCALE		SHEET		DATE	
SDPC0064		2:1		1 OF 1		10-25-95	
CODE IDENT NO	DWG BY	CHK BY	QA	MFG	CUSTOMER		
8Z410	SMA		JCH	SB	GENERIC		
			10-21-03	10-20-03			