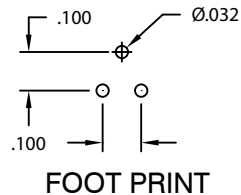
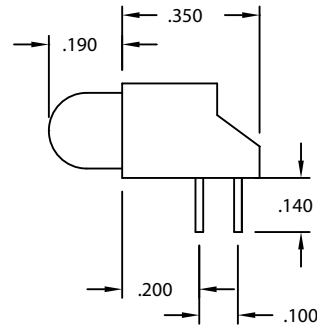
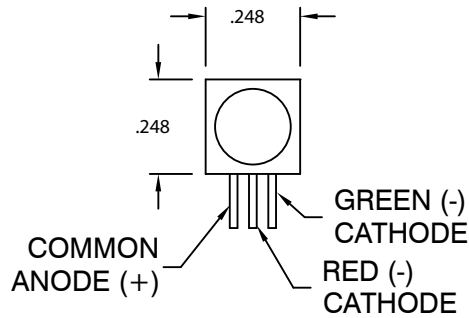
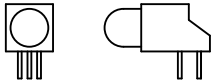


LTR	REVISION	DATE	APPD
-	RELEASED	08-26-04	

Actual Size



Topr: -20°C TO +85°C
Tstg: -40°C TO +100°C

LEDTRONICS PART NO.	L.E.D. RADIATION COLOR	ABSOLUTE MAXIMUM RATING (Ta=25°C)				ELECTRO-OPTICAL CHARACTERISTICS (Ta=25°C)				
		Pd mW	Ifp mA	If mA	Vr V	If mA typ	Iv mcd min/typ	Vf V typ/max	Ir max μA	λP nm
PCT200TWRG4B-3A-140	HI-EFF. RED	100	120	30	5	20	3.0/6.0	2.0/2.8	100	635
	GREEN	100	120	30	5	20	3.0/6.0	2.1/2.8	100	568

LED
LEDTRONICS®
23105 KASHIWA COURT
TORRANCE, CA 90505

-PROPRIETARY-
This document contains Proprietary information of LEDTRONICS, INC.™ It may not be copied, used or disclosed for any purpose without the prior express written consent of LEDTRONICS, INC.™

.XXX ± .010 TOLERANCE PER ANSI-Y14.5
.XX ± .025 (UNLESS OTHERWISE STATED)
ANGLES ± 0°.30'
FRACT. ± 1/32

TITLE PCT200TWRG4B-3A-140			
DWG NO SDPC0568	SCALE 2:1	SHEET 1 OF 1	DATE 08-26-04
CODE IDENT NO 8Z410	DWG BY RR	CHK BY AM 08-26-04	QA JCH 08-26-04
MFG	CUSTOMER		