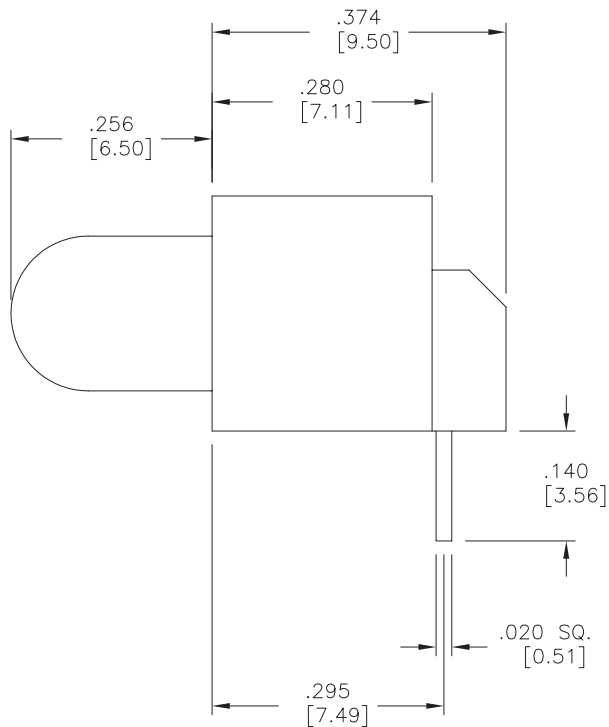
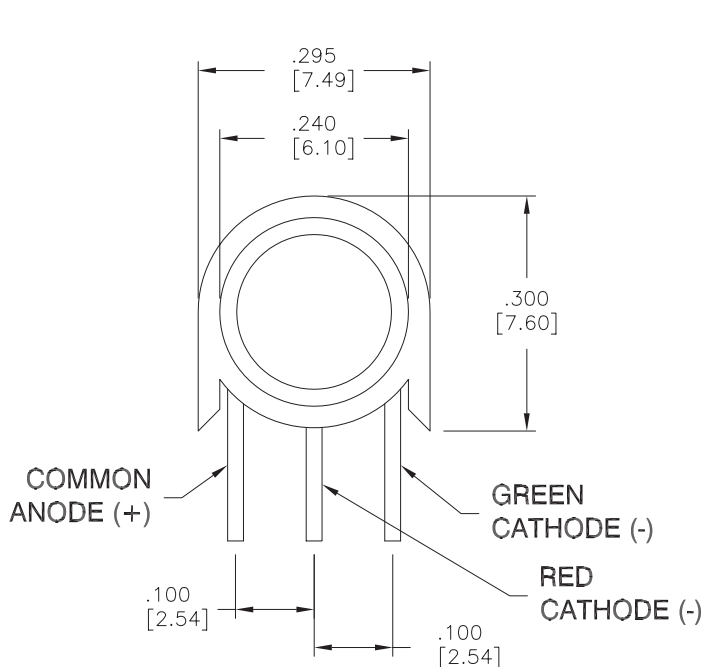
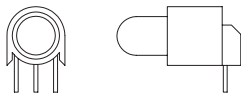


Actual Size

LTR	REVISION	DATE	APPD
-	RELEASED	09-19-97	



LEDTRONICS PART NO.	L.E.D. RADIATION COLOR	ELECTRO-OPTICAL CHARACTERISTICS (Ta=25°C)			
		If=mA typ	Iv mcd typ	Vf=V typ/max	λP nm
PCT300TWRG4-3A	HI-EFF RED	20	15	2.0/2.6	635
	HI-EFF GREEN	20	20	2.2/2.6	568

**LEDTRONICS, INC.®**  
23105 KASHIWA COURT  
TORRANCE, CA 90504

**-PROPRIETARY-**  
This document contains Proprietary information of LEDTRONICS, INC. It may not be copied, used or disclosed for any purpose without the prior express written consent of LEDTRONICS, INC.

.XXX ± .010 TOLERANCE PER ANSI-Y14.5  
.XX ± .025 (UNLESS OTHERWISE STATED)  
ANGLES ± 0°,30'  
FRACT. ± 1/32

TITLE					<b>PCT300TWRG4-3A</b>				
DWG NO		SCALE		SHEET		DATE			
SDPC0243		4:1		1 OF 1		09-19-97			
CODE IDENT NO.	DWG BY	CHK BY	QA	CUSTOMER					
8Z410	SMA	PL		GENERIC					