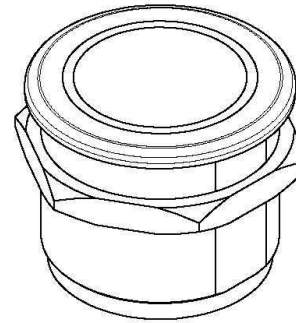
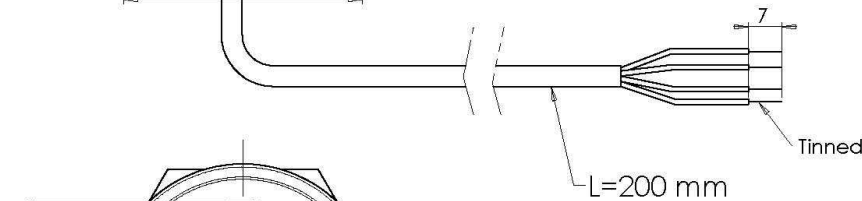
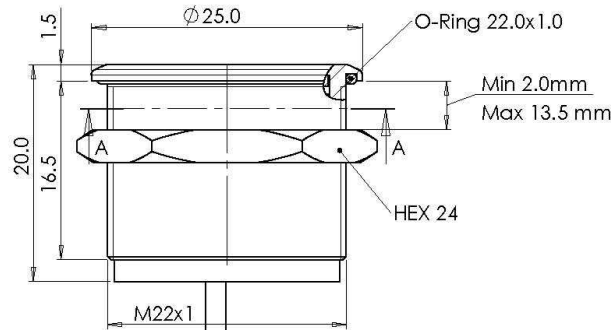
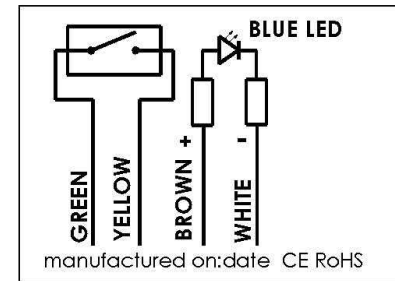


SECTION A-A
SCALE 2.5: 1



Manufactured by Stern Engineering
P/N 07225198
-Switch voltage 0-24 V AC/DC
-Switch current 1A
-Blue illuminated 24V AC/DC



NOTES:

1. Material: AISI 303
2. Rated Voltage: (0-24 V AC/DC)
Rated Current: max 1A
Switch Resistance "On" : (<1 Ohm)
Switch Resistance "Off" : (> 5 Megaohms)
Switch Capacitance : (100pF)
Overvoltage protection 34 V DC
Impulse Time : 300mSEC
Actuation Force Typically : (3-5 N)
Climate data: -40C to +85C per MIL STD 810G
Operating cycle : (>10 million)
3. Blue illuminated 24V AC/DC
4. IP protection: IP68 per IEC 60529; IP69K per DIN 40050-9
5. Mechanical shock : 75g per MIL STD 810G
6. Vibration: 5-500Hz/9.4m/s² per IEC 60721
7. Potting: Epoxy Resin Silicone Free

Printed:28/11/2013 (sashak)

All Dimensions in: mm		Code:		TOLERANCES UNLESS OTHERWISE SPECIFIED		Scale 2:1	Weight
				XX ± 0.1			
				X ± 0.2			
				Y ± 0.5			
				ANG ± 1.5°			
				Engineer	Date	Material	
				Draftsman	Date	Description	
				Checked	Date	BPSSN22PBF5	
				Approval	Date	Cat.no 07225198	
No ECO		Description		Name Date		Revision Drawing no.	
2		13419 Update drawing		Sasha 28.11.13		02 07225198	
Next assy		Finish		IBS ELECTRONICS		Sheet 1 of 1 A3	