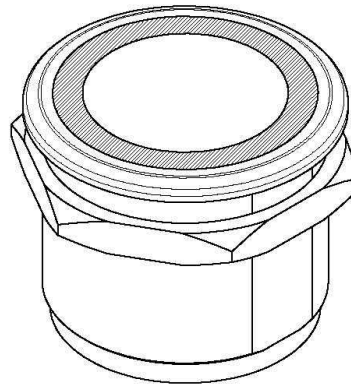
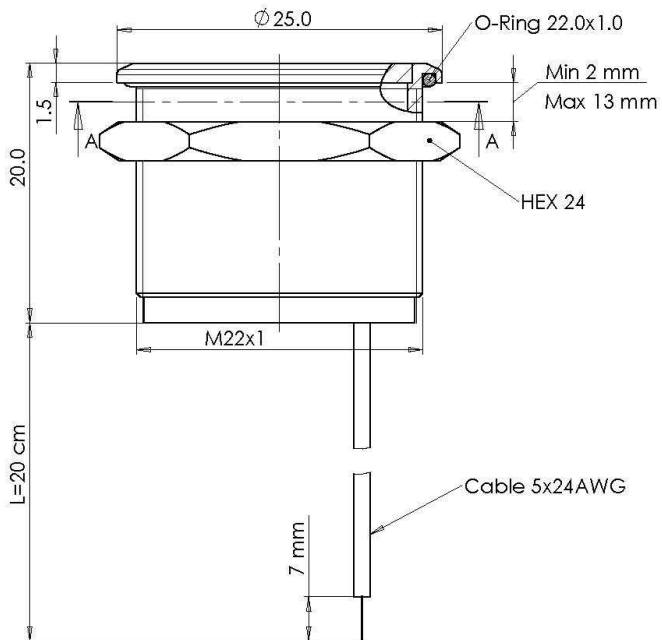
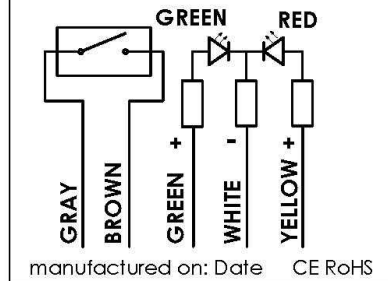


SECTION A-A
SCALE 3:1



Manufactured by Stern Engineering
P/N 07225200
-Switch voltage 0-24 V AC/DC
-Switch current 1A
-Red-Green illuminated 24V AC/DC.



NOTES:

- Material: AISI 303
- Rated Voltage: (0-24 V AC/DC)
Rated Current: max 1A
Switch Resistance "On": (<1 Ohm)
Switch Resistance "Off": (> 5 Megaohms)
Switch Capacitance: (100pF)
Overvoltage protection 34 V DC
Impulse Time: 300 mSEC
Actuation Force Typically: (3-5 N)
Climate data: -40C to +85C per MIL STD 810G
Operating cycle: (>10 million)
- Red-Green illuminated 24V AC/DC
- IP protection: IP68 per IEC 60529; IP69K per DIN 40050-9
- Mechanical shock: 75g per MIL STD 810G
- Vibration: 5-500Hz/9.4m/s² per IEC 60721
- Potting:Epoxy Resin Silicone Free

All Dimensions in: mm		Code:		THIS DRAWING IS VALID FOR THE PART SERVICE ONLY AND NOT FOR THE DESIGN OF THE PART. ALL RIGHTS OF DESIGN OR INVENTION ARE RESERVED.		TOLERANCES UNLESS OTHERWISE SPECIFIED XX ± 0.1 X ± 0.2 X ± 0.5 ANG ± 1.5%		Scale 3:1	Weight
								Material	
								Description	
								BPSSN22PEFG7	
1 13198 Update after lab tests		Sasha 26.05.13		Checked Gabriel 29.08.12		Approval		Cat.no 07225200	
No ECO		Description		Name		Date		Revision	
								01	
Next assy		Finish		IBS ELECTRONICS				Drawing no. P35-04.00.00	
								Sheet 1 of 1 A3	