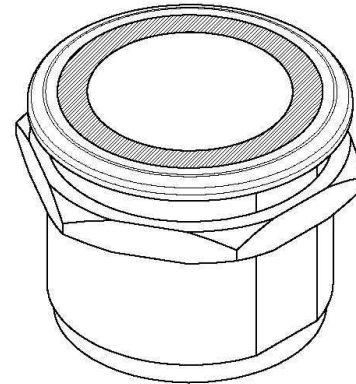
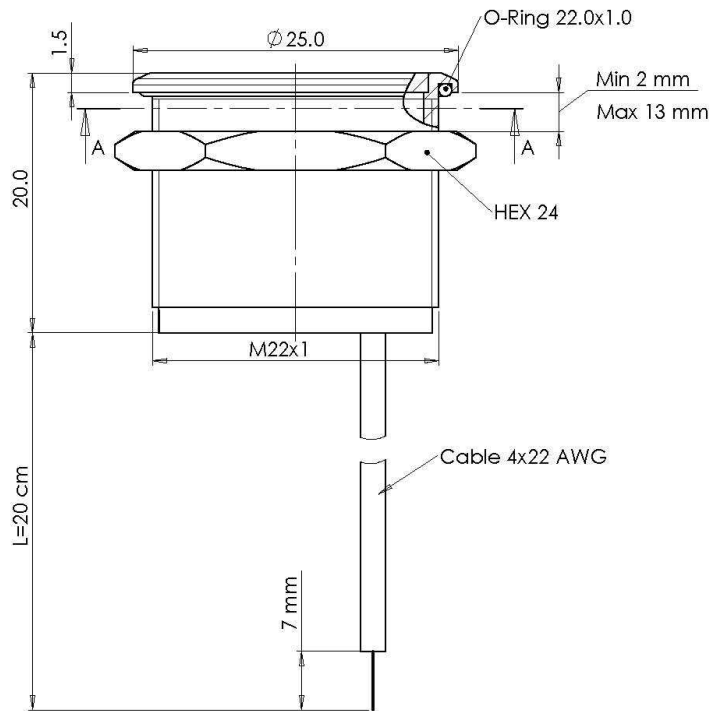


SECTION A-A
SCALE 3 : 1



Manufactured by Stern Engineering
P/N 07225202
-Switch voltage 0-24 VAC/DC
-Switch current 1A
-Red illuminated 24V AC/DC

manufactured on: Date CE RoHS

NOTES:

1. Material: AL 6061
2. Red Anodize PER MIL-A-8625 Type II Class II
3. Rated Voltage: (0-24 V AC/DC)
Rated Current: max 1A
Switch Resistance "On": (<1 Ohm)
Switch Resistance "Off": (> 5 Megaohms)
Switch Capacitance : (100pF)
Overvoltage protection 34 V DC
Impulse Time : 300 mSEC
Actuation Force Typically : (3-5 N)
Climate data: -40C to +85C per MIL STD 810G
Operating cycle : (>10 million)
4. Red illuminated 24V AC/DC
5. IP protection: IP68 per IEC 60529; IP69K per DIN 40050-9
6. Mechanical shock ; 75g per MIL STD 810G
7. Vibration: 5-500Hz/9.4m/s² per IEC 60721
8. Potting: Epoxy Resin Silicone Free



All Dimensions in: mm		Code:		THIS DRAWING IS VALID FOR THE PARTS LISTED ONLY. ANY OTHER PARTS LISTED WITHOUT SPECIFICATION ARE NOT TO BE USED. ALL RIGHTS OF DESIGN OR INVENTION ARE RESERVED.		TOLERANCES UNLESS OTHERWISE SPECIFIED ØX ± 0.1 X ± 0.2 X ± 0.5 ANG ± 1.5%		Scale	Weight
								Material	
								Description	
								BPSAR22PRFG1	
								Cat.no	07225202
								Revision	Drawing no.
								02	P73-05.00.00
								Sheet 1	of 1
									A3