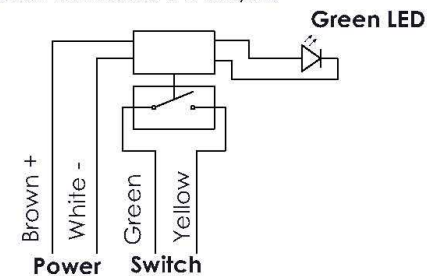
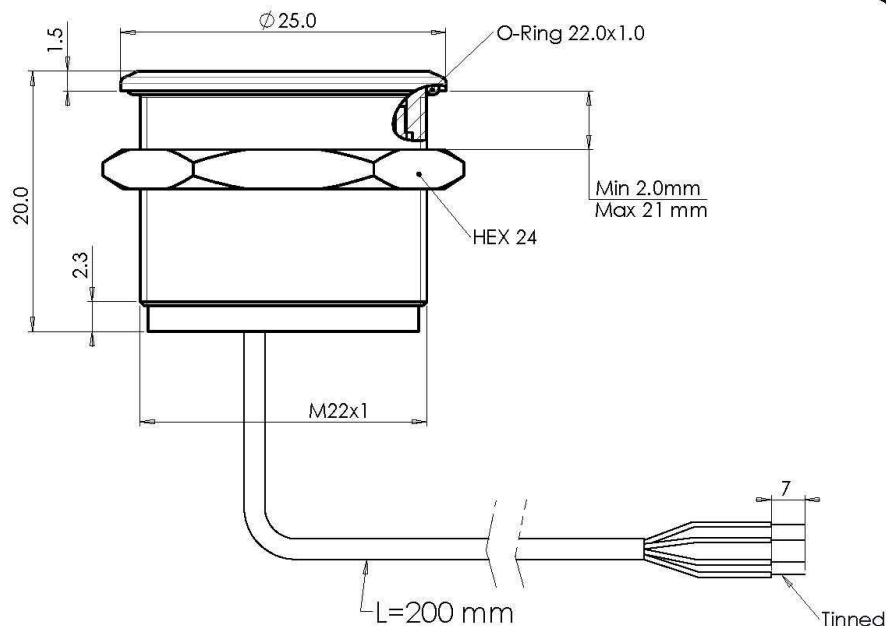


Manufactured by Stern Engineering
P/N 07225219

-Power supply 24V AC/DC
-Switch voltage Max 30 AC peak/DC
-Switch current Max 1A
-Green illuminated 24V AC/DC



manufactured on: Date CE RoHS



NOTES

1. Material: AISI303
2. Functionality: Toggle
3. Electric features:
 - 3.1 Power supply: 24V AC/DC
 - 3.2 Switching voltage : Max 30V AC peak/DC
 - 3.3 Switching current : Max 1A
 - 3.4 Switching resistance ON : <0.7 Ohm
 - 3.5 Switching resistance OFF : >1000MOhm
 - 3.6 Switching capacitance : <90 pF
4. Climate data: -40C to +85C per MIL STD 810G
5. Life cycle : >10million
6. Actuation force typically 3-5N
7. Green illuminated.
- 8.IP protection: IP68 per IEC 60529; IP69K per DIN 40050-9
- 9.Mechanical shock : 75g per MIL STD 810G
- 10.Vibration: 5-500Hz/9.4m/s² per IEC 60721
- 11.Potting:Epoxy Resin Silicone Free



| | | | | | | | |
|-----------------------|--|-------|--|---|--|-------------|-----------------------------|
| All Dimensions in: mm | | Code: | | TOLERANCES UNLESS OTHERWISE SPECIFIED XX ± 0.1 X ± 0.2 Y ± 0.5 ANG ± 1.5% | | Scale 2:1 | Weight |
| | | | | | | Material | see note 1 |
| | | | | | | Description | TPSSN22PGFJ0 |
| | | | | | | Cat.no | 07225219 |
| | | | | | | Revision | Drawing no. P98-07.00.00 |
| | | | | | | 03 | Sheet 1 of 1 A3 |

| No | ECO | Description | Name | Date | Approval |
|----|-------|------------------------|--------|----------|-----------|
| 03 | 13202 | Update after lab tests | Nataly | 29.05.13 | Engineer |
| 02 | 13152 | Change Carr;Housing | Nataly | 29.04.13 | Draftsman |
| 01 | | Change and add program | Nataly | 12.03.13 | Checked |
| | | | | | Gabriel |



Printed:29.05.2013 (nataly)