

## EPIC® H-A 3 AG

Innovative metal and plastic housing design

The compact plastic or metal housing for rectangular connectors is ideal for use in restricted spaces.

### Info

Lightweight, chemically resistant plastic housing

Protection rating tested according to UL50E



Waterproof



Robust



Mechanical resistance



Industrial machinery and plant engineering

### Benefits

Housing in plastic or metal version. For power supply in the smallest possible space

### Application range

Machine and equipment manufacturing

Control engineering

Electronic laboratory

### Product features

Panel-mount base

1 lever

incl. flat seal

Last Update (09.05.2017)

©2017 Lapp Group - Technical changes reserved

Product Management [www.lappkabel.de](http://www.lappkabel.de)

You can find the current technical data in the corresponding data sheet.

PN 0456 / 02\_03.16

**EPIC® H-A 3 AG****Technical Data**

Classification:	ETIM 5.0 Class-ID: EC000437 ETIM 5.0 Class-Description: Housing for industrial connectors
Material:	Housing: Powder-coated zinc die-cast, grey Lever: Steel, galvanised Seal: NBR Housing: grey thermoplastic, black Lever: Steel, galvanised Seal: NBR
Protection rating:	IP 65 (latched) NEMA 250, UL50E: 12, 4 (latched)
VDE-tested:	Certified production control: VDE reg. no.: B437 UL-tested: UL file number: E75770
Temperature range:	-40°C to +100°C, short-term up to +125°C

**Note**

Photographs are not to scale and do not represent detailed images of the respective products.  
Prices are net prices without VAT and surcharges. Sale to business customers only.

## EPIC® H-A 3 AG

Article number	Article description	Colour	Material
H-A housing: Panel-mount base (straight)			
10422500	H-A 3 Mag	grey	Zinc die-casting
10422200	H-A 3 Ag	black	Thermoplastic
10422000	H-A 3 Ag	grey	Thermoplastic

Last Update (09.05.2017)

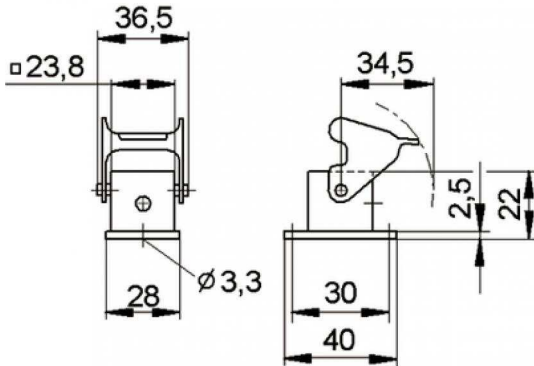
©2017 Lapp Group - Technical changes reserved

Product Management [www.lappkabel.de](http://www.lappkabel.de)

You can find the current technical data in the corresponding data sheet.

PN 0456 / 02\_03.16

## EPIC® H-A 3 AG



Last Update (09.05.2017)

©2017 Lapp Group - Technical changes reserved

Product Management [www.lappkabel.de](http://www.lappkabel.de)

You can find the current technical data in the corresponding data sheet.

PN 0456 / 02\_03.16