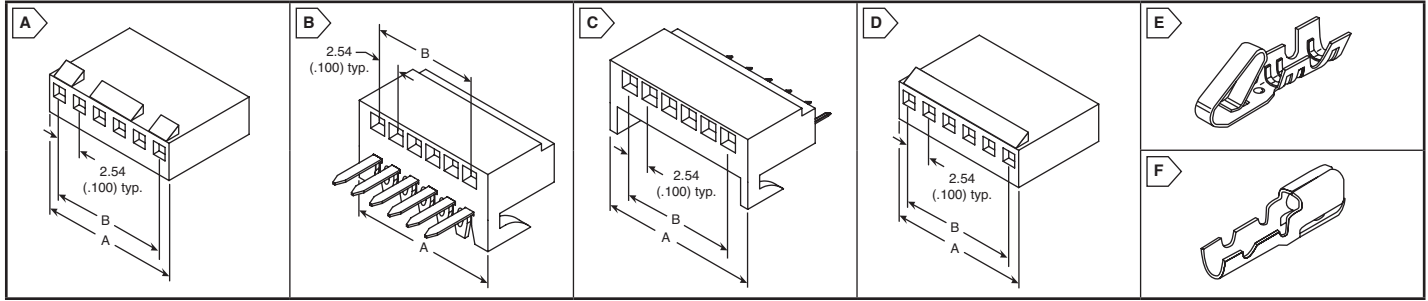


# MOLEX KK® Series (.100")

molex  
one company > a world of innovation

Products may be RoHS compliant. Check mouser.com for RoHS status.



## .100" CRIMP TERMINAL HOUSINGS

- Housing: Nylon, UL94V-0
- Current: Phosphor Bronze-4.0A max; Brass-2.5A max.
- Voltage: 250V
- RoHS Compliant per Molex documentation

For quantities greater than listed, call for quote.

MOUSER STOCK NO.	Molex Part No.	Fig.	No. of Circuits	Dimensions: mm		Price Each			
				A	B	1	10	100	500
<b>With Locking Ramp</b>									
538-22-01-2027	22-01-2027	A	2	5.6	2.54	.13	.105	.071	.061
538-22-01-2037	22-01-2037	A	3	8.1	5.08	.21	.173	.117	.095
538-22-01-2047	22-01-2047	A	4	10.7	7.62	.27	.219	.149	.127
538-22-01-2057	22-01-2057	A	5	13.2	10.16	.34	.30	.206	.165
538-22-01-2067	22-01-2067	A	6	15.8	12.70	.41	.36	.243	.196
538-22-01-2077	22-01-2077	A	7	18.3	15.24	.48	.42	.288	.229
538-22-01-2087	22-01-2087	A	8	20.9	17.78	.56	.49	.331	.265
538-22-01-2097	22-01-2097	A	9	23.4	20.32	.62	.55	.37	.295
538-22-01-2107	22-01-2107	A	10	25.9	22.86	.69	.61	.413	.33
538-22-01-2117	22-01-2117	A	11	28.5	25.40	.77	.67	.451	.361
538-22-01-2127	22-01-2127	A	12	31.0	27.94	.83	.74	.487	.392
<b>With Locking Ramp and Polarizing Ribs</b>									
538-22-01-3027	22-01-3027	A	2	5.6	2.54	.19	.143	.097	.073
538-22-01-3037	22-01-3037	A	3	8.1	5.08	.26	.22	.142	.122
538-22-01-3047	22-01-3047	A	4	10.7	7.62	.35	.296	.201	.158
538-22-01-3057	22-01-3057	A	5	13.2	10.16	.36	.237	.199	.197
538-22-01-3067	22-01-3067	A	6	15.8	12.70	.51	.428	.29	.231
538-22-01-3077	22-01-3077	A	7	18.3	15.24	.56	.49	.331	.265
538-22-01-3087	22-01-3087	A	8	20.9	17.78	.63	.56	.374	.298
538-22-01-3097	22-01-3097	A	9	23.4	20.32	.72	.62	.422	.337
538-22-01-3107	22-01-3107	A	10	25.9	22.86	.80	.69	.466	.37
538-22-01-3117	22-01-3117	A	11	28.5	25.40	.87	.73	.518	.414
538-22-01-3127	22-01-3127	A	12	31.0	27.94	.95	.83	.561	.445

Molex Rectangular Connectors

## .100" PCB RECEPTACLES

- UL94V-0
- End-to-End stackable
- Contact: Brass
- Voltage: 250V
- Temperature: 0 to +75°C
- Current: 2.5A max.

For quantities greater than listed, call for quote.

<b>Tin Plating - Bottom Entry</b>									
MOUSER STOCK NO.	Molex Part No.	Fig.	No. of Circuits	A	B	1	10	100	500
538-22-14-2024	22-14-2024	B	2	4.98	2.54	.34	.30	.204	.163
538-22-14-2034	22-14-2034	B	3	7.52	5.08	.46	.40	.271	.217
538-22-14-2044	22-14-2044	B	4	10.06	7.62	.69	.61	.41	.327
538-22-14-2054	22-14-2054	B	5	12.60	10.16	.86	.76	.508	.407
538-22-14-2064	22-14-2064	B	6	15.14	12.70	1.04	.92	.614	.487
538-22-14-2074	22-14-2074	B	7	17.68	15.24	1.21	1.07	.71	.561
538-22-14-2084	22-14-2084	B	8	20.22	17.78	1.24	1.09	.731	.583
538-22-14-2094	22-14-2094	B	9	22.76	20.32	1.56	1.37	.911	.731
538-22-14-2104	22-14-2104	B	10	25.30	22.86	1.55	1.36	.911	.731
538-22-14-2124	22-14-2124	B	12	30.38	27.94	1.86	1.64	1.09	.869
<b>Tin Plating - Top Entry</b>									
538-22-02-2025	22-02-2025	C	2	4.98	2.54	.29	.25	.173	.138
538-22-02-2035	22-02-2035	C	3	7.52	5.08	.44	.38	.258	.206
538-22-02-2045	22-02-2045	C	4	10.06	7.62	.59	.51	.347	.277
538-22-02-2055	22-02-2055	C	5	12.60	10.16	.74	.64	.433	.346
538-22-02-2065	22-02-2065	C	6	15.14	12.70	.89	.76	.519	.413
538-22-02-2075	22-02-2075	C	7	17.68	15.24	1.08	.95	.657	.519
538-22-02-2085	22-02-2085	C	8	20.22	17.78	1.18	1.03	.688	.551
538-22-02-2095	22-02-2095	C	9	22.76	20.32	1.25	1.09	.773	.625
538-22-02-2105	22-02-2105	C	10	25.30	22.86	1.48	1.30	.869	.689
538-22-02-2125	22-02-2125	C	12	30.38	27.94	1.78	1.50	1.03	.826
<b>Gold Plating - Bottom Entry</b>									
538-22-17-3022	22-17-3022	B	2	4.98	2.54	.43	.38	.254	.203
538-22-17-3032	22-17-3032	B	3	7.52	5.08	.64	.56	.379	.303
538-22-17-3042	22-17-3042	B	4	10.06	7.62	.86	.76	.508	.407
538-22-17-3052	22-17-3052	B	5	12.60	10.16	1.08	.94	.625	.507
538-22-17-3072	22-17-3072	B	7	17.68	15.24	1.50	1.31	.88	.704
538-22-17-3082	22-17-3082	B	8	20.22	17.78	1.73	1.32	1.01	.805
538-22-17-3092	22-17-3092	B	9	22.76	20.32	1.27	1.04	.95	.845
<b>Gold Plating - Top Entry</b>									
538-22-18-2021	22-18-2021	C	2	4.98	2.54	.37	.29	.218	.175
538-22-18-2031	22-18-2031	C	3	7.52	5.08	.55	.48	.325	.26
538-22-18-2041	22-18-2041	C	4	10.06	7.62	.74	.64	.433	.346
538-22-18-2061	22-18-2061	C	6	15.14	12.70	1.11	.97	.646	.519
538-22-18-2081	22-18-2081	C	8	20.22	17.78	1.47	1.29	.858	.689
538-22-18-2091	22-18-2091	C	9	22.76	20.32	1.65	1.45	.964	.773
538-22-18-2101	22-18-2101	C	10	25.30	22.86	1.84	1.62	1.08	.858
538-22-18-2111	22-18-2111	C	11	27.84	25.40	1.30	1.03	.943	.86
538-22-18-2121	22-18-2121	C	12	30.38	27.94	2.20	1.93	1.29	1.03

## .100" HIGH PRESSURE / VIBRATION TERMINAL HOUSINGS W/ LOCKING RAMP

- Housing: Red Nylon, UL 94-0
- Current: 2.5A
- Voltage: 250V
- RoHS Compliant per Molex documentation

For quantities greater than listed, call for quote.

MOUSER STOCK NO.	Molex Part No.	Fig.	No. of Circuits	Dimensions: mm		Price Each			
				A	B	1	10	100	500
538-10-11-2023	10-11-2023	D	2	5.64	2.54	.14	.10	.09	.072
538-10-11-2033	10-11-2033	D	3	8.18	5.08	.23	.19	.134	.108
538-10-11-2043	10-11-2043	D	4	10.72	7.62	.31	.27	.184	.147
538-10-11-2053	10-11-2053	D	5	13.26	10.16	.39	.33	.23	.183
538-10-11-2063	10-11-2063	D	6	15.80	12.70	.46	.40	.274	.219
538-10-11-2073	10-11-2073	D	7	18.34	15.24	.54	.47	.318	.255
538-10-11-2083	10-11-2083	D	8	20.88	17.78	.62	.54	.36	.291
538-10-11-2093	10-11-2093	D	9	23.42	20.32	.69	.61	.402	.327
538-10-11-2103	10-11-2103	D	10	25.96	22.86	.78	.68	.455	.36
538-10-11-2113	10-11-2113	D	11	28.50	25.40	.85	.75	.504	.402
538-10-11-2123	10-11-2123	D	12	31.04	27.94	.93	.81	.54	.44

## .100" CRIMP TERMINALS

- Wire gauge: 22-30 AWG
- For use with Fig. A
- RoHS Compliant per Molex documentation

Select Gold (Au) is gold only on the mating area

For quantities greater than listed, call for quote.

MOUSER STOCK NO.	Molex Part No.	Fig.	Contact	Plating	Price Each		
					1	100	500
538-08-50-0114	08-50-0114	E	Brass	Tin	.09	.069	.056
538-08-56-0110	08-56-0110	E	Brass	Gold	.84	.69	.577
538-08-55-0102	08-55-0102	E	Brass	*Select Gold	.20	.172	.146
538-08-52-0123	08-52-0123	E	Phos. Bronze	Tin	.10	.08	.063
538-08-65-0814	08-65-0814	E	Phos. Bronze	Gold	.94	.75	.629
538-08-65-0816	08-65-0816	E	Phos. Bronze	*Select Gold	.13	.116	.114

## .100" HIGH PRESSURE CRIMP TERMINALS

- Wire gauge: 22-30 AWG
- RoHS Compliant per Molex documentation
- High vibration applications.
- For use with Fig. D

Select Gold (Au) is gold only on the mating area

For quantities greater than listed, call for quote.

MOUSER STOCK NO.	Molex Part No.	Fig.	Contact	Plating	Price Each		
					1	100	500
538-08-50-0005	08-50-0005	F	Brass	Tin/Copper	.20	.157	.133
538-08-55-0129	08-55-0129	F	Brass	*Select Gold	.55	.43	.369

## POLARIZING KEYS

- UL94V-2, Nylon
- Snap fit into housings
- RoHS Compliant per Molex documentation

For quantities greater than listed, call for quote.

MOUSER STOCK NO.	Molex Part No.	Description	Price Each		
			1	100	500
538-15-04-9209	15-04-9209	Key	.10	.07	.059

## DESIGNER/SERVICE KIT

- Includes: connectors, crimp tool, extraction tool, & storage case

MOUSER STOCK NO.	Molex Part No.	Description	Price Each
538-KK-100	KK-100	.100", 82 connectors	25.20

## TOOLS

MOUSER STOCK NO.	Molex Part No.	Description	Price Each
538-63811-8200	63811-8200	Hand Crimp Tool	359.00
538-11-03-0022	11-03-0022	Extraction tool	6.77
538-63819-0800	63819-0800	Hand Crimp Tool	311.00
538-63812-0000	63812-0000	Insertion tool	40.21