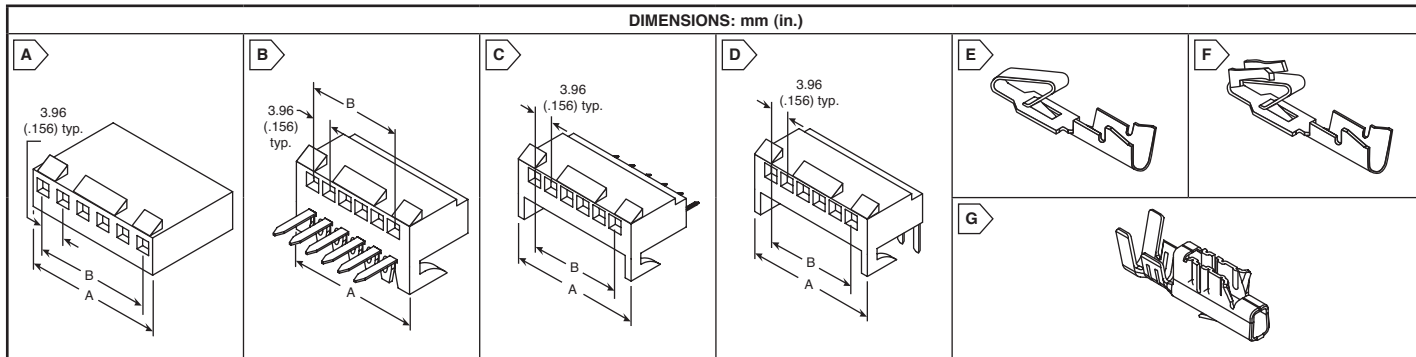


DIMENSIONS: mm (in.)



**.156" CRIMP TERMINAL HOUSINGS**

- Voltage: 250V AC Max.
- Temperature: 0 to +75°C
- Current: Phosphor Bronze-7.0A max.; Brass-5.0A max.
- RoHS compliant per Molex documentation



RoHS Compliant

For quantities greater than listed, call for quote.

For quantities greater than listed, call for quote.

MOUSER STOCK NO.	Molex Part No.	Fig.	No. of Circuits	Dimensions: mm		Price Each			
				A	B	1	10	100	500
<b>With Locking Ramp UL94V-2, Nylon</b>									
538-09-50-3021	09-50-3021	A	2	7.92	3.96	.15	.12	.095	.076
538-09-50-3031	09-50-3031	A	3	11.79	7.92	.14	.132	.128	.097
538-09-50-3041	09-50-3041	A	4	15.75	11.89	.29	.237	.173	.14
538-09-50-3051	09-50-3051	A	5	19.71	15.85	.34	.279	.208	.166
538-09-50-3061	09-50-3061	A	6	23.67	19.81	.42	.366	.249	.201
538-09-50-3071	09-50-3071	A	7	27.64	23.77	.48	.45	.336	.269
538-09-50-3081	09-50-3081	A	8	31.60	27.74	.65	.57	.381	.307
538-09-50-3091	09-50-3091	A	9	35.56	31.70	.73	.64	.432	.345
538-09-50-3101	09-50-3101	A	10	39.52	35.66	.81	.72	.476	.381
538-09-50-3111	09-50-3111	A	11	43.48	39.62	.90	.78	.519	.413
538-09-50-3121	09-50-3121	A	12	47.45	43.59	.98	.85	.572	.461
<b>Without Locking Ramp UL94V-2, Nylon</b>									
538-09-50-7021	09-50-7021	A	2	7.92	3.96	.14	.12	.084	.067
538-09-50-7031	09-50-7031	A	3	11.79	7.92	.22	.19	.128	.102
538-09-50-7041	09-50-7041	A	4	15.75	11.89	.29	.25	.171	.136
538-09-50-7051	09-50-7051	A	5	19.71	15.85	.34	.31	.212	.171
538-09-50-7061	09-50-7061	A	6	23.67	19.81	.43	.38	.257	.205
538-09-50-7071	09-50-7071	A	7	27.64	23.77	.50	.44	.296	.233
538-09-50-7081	09-50-7081	A	8	31.60	27.74	.58	.50	.339	.265
538-09-50-7091	09-50-7091	A	9	35.56	31.70	.65	.57	.381	.307
538-09-50-7111	09-50-7111	A	11	43.48	39.62	.80	.69	.466	.371

Molex Rectangular Connectors

MOUSER STOCK NO.	Molex Part No.	Fig.	No. of Circuits	Dimensions: mm		Price Each			
				A	B	1	10	100	500
<b>With Locking Ramp and Polarizing Ribs UL94V-0, Polyester</b>									
538-09-50-8023	09-50-8023	A	2	8.79	3.96	.19	.15	.106	.088
538-09-50-8033	09-50-8033	A	3	12.75	7.92	.23	.21	.152	.134
538-09-50-8043	09-50-8043	A	4	16.71	11.89	.33	.279	.185	.147
538-09-50-8053	09-50-8053	A	5	20.67	15.85	.47	.41	.278	.222
538-09-50-8063	09-50-8063	A	6	24.64	19.81	.56	.49	.331	.264
538-09-50-8073	09-50-8073	A	7	28.60	23.77	.65	.58	.388	.311
538-09-50-8083	09-50-8083	A	8	32.56	27.74	.74	.64	.434	.349
538-09-50-8093	09-50-8093	A	9	36.53	31.70	.83	.74	.487	.392
538-09-50-8103	09-50-8103	A	10	40.49	35.66	.93	.81	.54	.434
538-09-50-8113	09-50-8113	A	11	44.45	39.62	1.02	.90	.604	.477
538-09-50-8123	09-50-8123	A	12	48.41	43.59	1.12	.98	.657	.53
<b>With Locking Ramp UL94V-0, Polyester</b>									
538-09-50-8021	09-50-8021	A	2	8.79	3.96	.14	.12	.10	.08
538-09-50-8031	09-50-8031	A	3	12.75	7.92	.26	.23	.157	.126
538-09-50-8041	09-50-8041	A	4	16.71	11.89	.35	.29	.206	.165
538-09-50-8051	09-50-8051	A	5	20.67	15.85	.44	.38	.254	.206
538-09-50-8061	09-50-8061	A	6	24.64	19.81	.51	.45	.307	.245
538-09-50-8071	09-50-8071	A	7	28.60	23.77	.62	.54	.364	.291
538-09-50-8081	09-50-8081	A	8	32.56	27.74	.69	.61	.413	.33
538-09-50-8091	09-50-8091	A	9	36.53	31.70	.79	.69	.466	.371
538-09-50-8101	09-50-8101	A	10	40.49	35.66	.86	.76	.508	.402
538-09-50-8111	09-50-8111	A	11	44.45	39.62	.96	.84	.561	.445
538-09-50-8121	09-50-8121	A	12	48.41	43.59	1.04	.92	.614	.487

**.156" PCB RECEPTACLES**

- Tin Plated

For quantities greater than listed, call for quote.

MOUSER STOCK NO.	Molex Part No.	Fig.	No. of Circuits	Dimensions: mm		Price Each			
				A	B	1	10	100	500
<b>Bottom Entry</b>									
538-09-52-3032	09-52-3032	B	3	11.79	7.92	.62	.47	.441	.381
538-09-52-3042	09-52-3042	B	4	15.75	11.89	.78	.61	.561	.487
538-09-52-3052	09-52-3052	B	5	19.71	15.85	.93	.80	.54	.445
538-09-52-3062	09-52-3062	B	6	23.67	19.81	1.03	.77	.688	.551
538-09-52-3072	09-52-3072	B	7	27.64	23.77	1.46	1.31	.879	.71
538-09-52-3082	09-52-3082	B	8	31.60	27.74	1.36	1.03	.794	.731
538-09-52-3102	09-52-3102	B	10	39.52	35.66	1.56	1.40	.943	.752
538-09-52-3122	09-52-3122	B	12	47.45	43.59	2.06	1.86	1.24	1.11
<b>Top Entry</b>									
538-09-52-3033	09-52-3033	C	3	11.79	7.92	.65	.52	.434	.339
538-09-52-3043	09-52-3043	C	4	15.75	11.89	.59	.55	.349	.296
538-09-52-3053	09-52-3053	C	5	19.71	15.85	.91	.74	.434	.381
538-09-52-3063	09-52-3063	C	6	23.67	19.81	1.02	.79	.519	.476
538-09-52-3073	09-52-3073	C	7	27.64	23.77	1.21	1.09	.72	.54
538-09-52-3083	09-52-3083	C	8	31.60	27.74	1.18	1.07	.667	.572
538-09-52-3093	09-52-3093	C	9	35.56	31.70	1.26	1.00	.763	.689

For quantities greater than listed, call for quote.

MOUSER STOCK NO.	Molex Part No.	Fig.	No. of Circuits	Dimensions: mm		Price Each			
				A	B	1	10	100	500
<b>Top Entry (Cont.)</b>									
538-09-52-3103	09-52-3103	C	10	39.52	35.66	1.34	.94	.89	.837
538-09-52-3113	09-52-3113	C	11	43.48	39.62	1.64	1.02	.975	.869
538-09-52-3123	09-52-3123	C	12	47.75	43.59	1.79	1.13	1.01	.922
<b>Side Entry</b>									
538-09-52-3021	09-52-3021	D	2	7.82	3.96	.33	.27	.252	.23
538-09-52-3031	09-52-3031	D	3	11.79	7.92	.65	.52	.434	.339
538-09-52-3041	09-52-3041	D	4	15.75	11.89	.68	.51	.349	.328
538-09-52-3051	09-52-3051	D	5	19.71	15.85	.91	.74	.434	.381
538-09-52-3061	09-52-3061	D	6	23.67	19.81	.99	.79	.519	.476
538-09-52-3071	09-52-3071	D	7	27.64	23.77	1.03	.71	.657	.582
538-09-52-3081	09-52-3081	D	8	31.60	27.74	1.18	.75	.731	.646
538-09-52-3091	09-52-3091	D	9	35.56	31.70	1.17	.84	.795	.742
538-09-52-3101	09-52-3101	D	10	39.52	35.66	1.28	.94	.848	.784
538-09-52-3111	09-52-3111	D	11	43.48	39.62	1.85	1.63	1.09	.869
538-09-52-3121	09-52-3121	D	12	47.75	43.59	2.14	1.35	1.21	1.10

**.156" CRIMP TERMINALS**

- Temperature: Phosphor Bronze: 0 to +75°C; Brass: 0 to +50°C
- Current: 5.0A max. using 18AWG wire

MOUSER STOCK NO.	Molex Part No.	Fig.	Wire Range	Material	Plating	Price Each		
						1	100	500
538-08-50-0106	08-50-0106	E	18-20	Brass	Tin	.06	.046	.037
538-08-52-0072	08-52-0072	E	18-20	Ph Bz	Tin	.06	.038	.037
538-08-50-0108	08-50-0108	E	22-26	Brass	Tin	.08	.06	.057
538-08-50-0134	08-50-0134	E	22-26	Ph Bz	Tin	.06	.044	.042
538-08-56-0106	08-56-0106	E	18-20	Brass	Gold	.68	.534	.45
538-08-58-0122	08-58-0122	E	18-20	Ph Bz	Gold	.81	.64	.54
538-08-56-0108	08-56-0108	E	22-26	Brass	Gold	.81	.64	.54
538-08-58-0126	08-58-0126	E	22-26	Ph Bz	Gold	.81	.64	.54
538-08-52-0113	08-52-0113	F	18-20	Ph Bz	Tin	.06	.041	.04
538-08-50-0189	08-50-0189	F	18-20	Brass	Tin	.08	.073	.063
538-08-52-0125	08-52-0125	F	22-26	Ph Bz	Tin	.08	.059	.052
538-08-50-0185	08-50-0185	F	22-26	Brass	Tin	.08	.06	.053
538-08-56-0124	08-56-0124	F	22-26	Ph Bz	Gold	1.43	1.15	1.03
538-45570-3050	45570-3050	G	18-20	Copp-Alloy	Tin	.19	.16	.148

\*Use with 09-50-8xxx only

© Copyright 2012 Mouser Electronics

**POLARIZING KEYS AND PEGS**

- Snap fit into housings
- RoHS compliant per Molex documentation

RoHS Compliant

MOUSER STOCK NO.	Molex Part No.	Description	Price Each		
			1	100	500
538-15-04-0219	15-04-0219	Key	.16	.10	.091
538-15-04-0220	15-04-0220	Peg	.16	.10	.091

**DESIGNER/SERVICE KITS**

- Includes: connectors, crimp tool, extraction tool, and storage case

MOUSER STOCK NO.	Molex Part No.	Description	Price Each
538-KK-156	KK-156	.156", 96 connectors	23.82