

## PST 1,3/ 2-5,0 R24


Order No.: 1720301



<http://catalog.phoenixcontact.net/phoenix/treeViewClick.do?UID=1720301>

Header, Nominal current: 12 A, Rated voltage (III/2): 320 V, Number of positions: 2, Pitch: 5 mm, Color: Black, Contact surface: Tin, Assembly: Taped SMD/THT/THR components, Voltage and current depend on the plug-in terminal block used.

### Commercial data

EAN	 4 046356 115919
sales group	E432
Pack	330 Pcs.
Customs tariff	85366990
Gross weight in pieces	0.001777 KG
Net weight per piece	0.001777 KG
Catalog page information	Page 435 (CAT-1-2013)

### Product notes

WEEE/RoHS-compliant since:  
12/14/2005



<http://www.download.phoenixcontact.com>  
Please note that the data given here has been taken from the online catalog. For comprehensive information and data, please refer to the user documentation. The General Terms and Conditions of Use apply to Internet downloads.

### Technical data

#### Dimensions

Length	2.8 mm
Pitch	5 mm
Dimension a	5 mm
Pin dimensions	1,3 mm

Hole diameter	1.6 mm
<b>General</b>	
Range of articles	PST 1,3/..-V
Insulating material group	IIIa
Rated surge voltage (III/3)	4 kV
Rated surge voltage (III/2)	4 kV
Rated surge voltage (II/2)	4 kV
Rated voltage (III/3)	250 V
Rated voltage (III/2)	320 V
Rated voltage (II/2)	400 V
Connection in acc. with standard	EN-VDE
Nominal current $I_N$	12 A (depends on the plug used)
Maximum load current	12 A (depends on the plug used)
Insulating material	PA
Inflammability class according to UL 94	V0
Color	Black
Nominal voltage, UL/CUL Use Group B	300 V
Nominal current, UL/CUL Use Group B	16 A
Nominal voltage, UL/CUL Use Group D	300 V
Nominal current, UL/CUL Use Group D	10 A
Number of positions	2

#### Certificates / Approvals



Certification

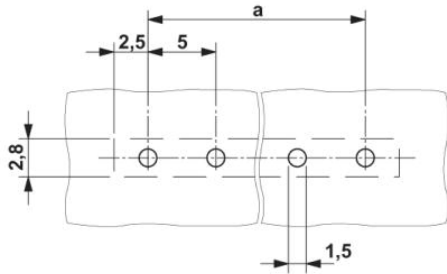
CSA, cULus Recognized, GOST, SEV, CCA

Certifications applied for:

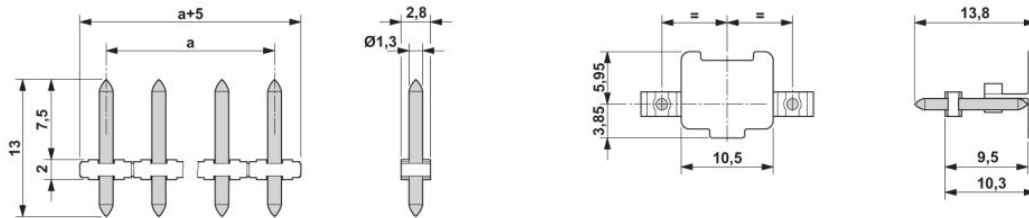
Certification Ex:

## Drawings

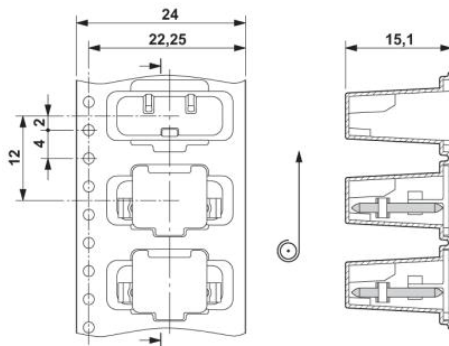
### Drilling plan/solder pad geometry



### Dimensioned drawing



Pad position for PST 1,3/...5,0 R...



**Address**

PHOENIX CONTACT GmbH & Co. KG  
Flachsmarktstr. 8  
32825 Blomberg, Germany  
Phone +49 5235 3 00  
Fax +49 5235 3 41200  
<http://www.phoenixcontact.com>



© 2013 Phoenix Contact  
Technical modifications reserved;