

High Voltage Diodes - Surface Mount

Original Released: 03-31-15

150mA - 250mA • 70ns • Hermetic

ELECTRICAL CHARACTERISTICS AND MAXIMUM RATINGS

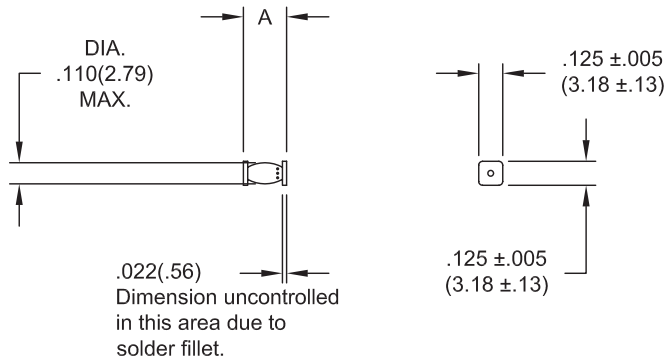
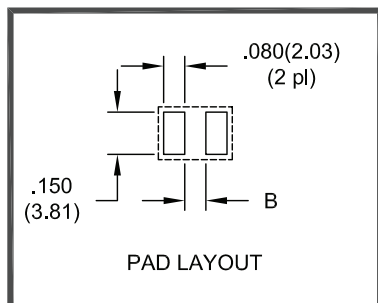
Part Number	Working Reverse Voltage (Vrwm)	Average Rectified Current (Io)		Reverse Current @ Vrwm (Ir)		Forward Voltage (Vf)		1 Cycle Surge Current tp=8.3ms (Ifsm)	Repetitive Surge Current (Ifm)	Reverse Recovery Time (3) (Trr)	Thermal Impd. θ_{j-c}	Junction Cap. @50VDC @ 1kHz (Cj)
		55°C(1)	100°C(2)	25°C	100°C	25°C		25°C	25°C	25°C	25°C	25°C
	Volts	mA	mA	µA	µA	Volts	mA	Amps	Amps	ns	°C/W	pF
1N6523U	3000	250	125	0.5	20	5.0	250	15	3.0	70	6.0	4.0
1N6525U	5000	150	75	0.5	20	7.0	150	10	2.0	70	6.0	3.0

(1)TC=55°C (2)TC=100°C (3)If=125mA, Ir=250mA, Irr=63mA *Op.Temp. -65°C to +175°C Stg.Temp. -65°C to +200°C

Markings:
Three Dots for polarity.



Parts	A	B
1N6523U	.280 ±.010 (7.11 ±.25)	.185(4.70)
1N6525U	.300 ±.010 (7.62 ±.25)	.205(5.21)



Dimensions: In. (mm) • All temperatures are ambient unless otherwise noted. • Data subject to change without notice.



Voltage Multipliers Inc.

8711 W. Roosevelt Ave.
Visalia, CA 93291 USA

Tel: 559.651.1402
Fax: 559.651.0740

www.voltagemultipliers.com
www.highvoltagepowersupplies.com