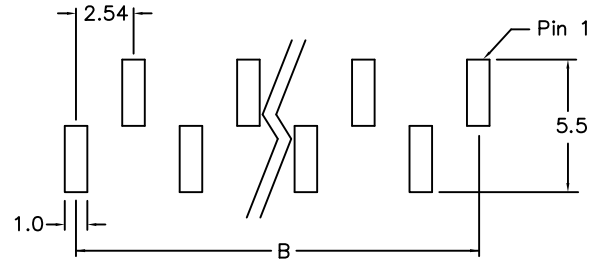
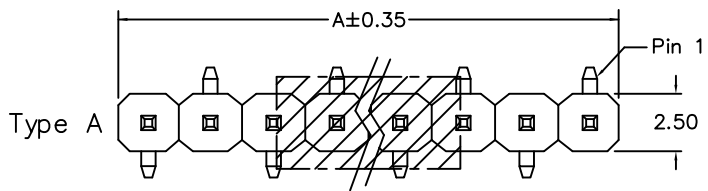


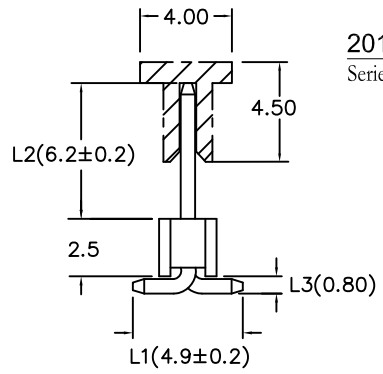
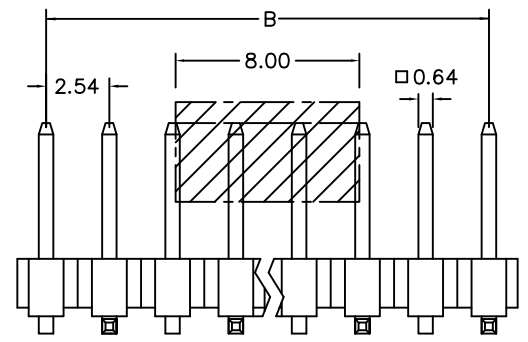
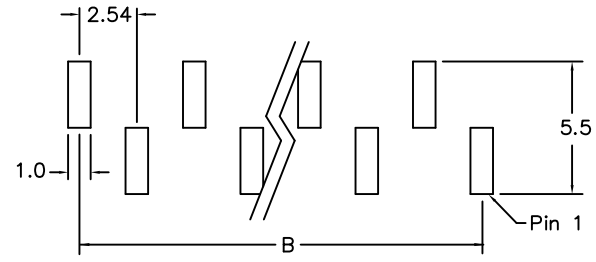
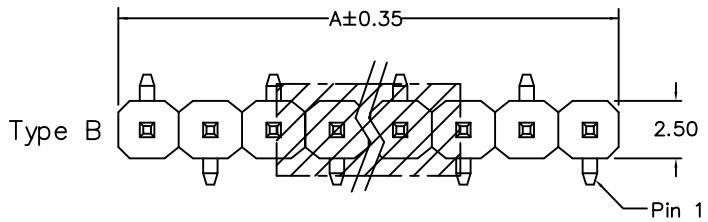
REV.	SPECIFICATION	ECN NO.	APPD.



Material:
Housing: NY6T, UL94V-0.
Contacts: Brass, Gold Plated or 120~160μ" Matte Tin Plated over Nickel 50μ".

Electrical Characteristics:
Current Rating: 3 AMP.
Dielectric Withstanding Voltage: AC 500V for 1 minute.
Insulator Resistance: 5000MΩ min. at DC 500V.
Contact Resistance: 20mΩ max. at DC 100mA.
Operating Temperature: -40°C~+105°C.

***RoHS Compliant**



2015-	1	X	xx	G	00	D	X-L1-L2-L3	B	-P
Series	Single Row	No. of Pin Per Row		G: Gold Plated MT: Matte Tin Plated	00: G/F 10: 10μ" 15: 15μ" 30: 30μ"	D: SMD Type	*A: Type A Foot Print *B: Type B Foot Print	B: Bulk Package U: Tube Package T: Tape & Reel Package	Blank: Without Pad P: Plastic Pad

Position	2 Thru 40
Dimension	
A	2.54 X No. of Positions -0.25
B	2.54 X No. of Positions -2.54

Tolerances	Dwg. No.	2015D01002
x = ±0.50	Projection	
.x = ±0.30	Unit	mm
.xx = ±0.20	Scale	1:1
	Drawn By	Scott 07/12'16

Title:
2015 Series
Pin Header
2.54mm

OUPIN
OUPIN ELECTRONIC(KUNSHAN) CO., LTD.
P/N: 2015-1XxxG00DxB-P

SHEET	1/1	Ver.No.	B7
-------	-----	---------	----

0535