

Metal Oxide Varistor (MOV) Data Sheet

Features

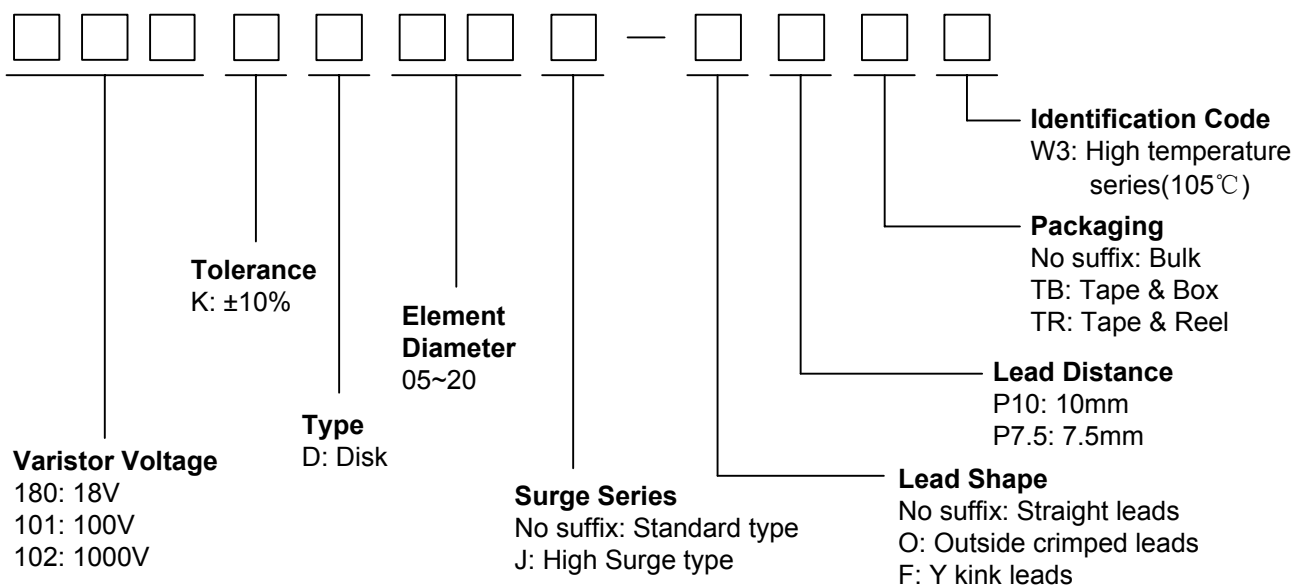
- Wide operating voltage (V_{1mA}) range from 18V to 1800V
- Fast responding to transient over-voltage
- Large absorbing transient energy capability
- Low clamping ratio and no follow-on current
- Meets MSL level 1, per J-STD-020
- Operating Temperature: $-40^{\circ}\text{C} \sim +105^{\circ}\text{C}$
- Storage Temperature: $-40^{\circ}\text{C} \sim +125^{\circ}\text{C}$
- Safety certification: UL: E327997
CSA: 246579
VDE: 40027827



Applications

- Transistor, diode, IC, thyristor or triac semiconductor protection
- Surge protection in consumer electronics
- Surge protection in industrial electronics
- Surge protection in electronic home appliances, gas and petroleum appliances
- Relay and electromagnetic valve surge absorption

Part Number Code



Dimensions

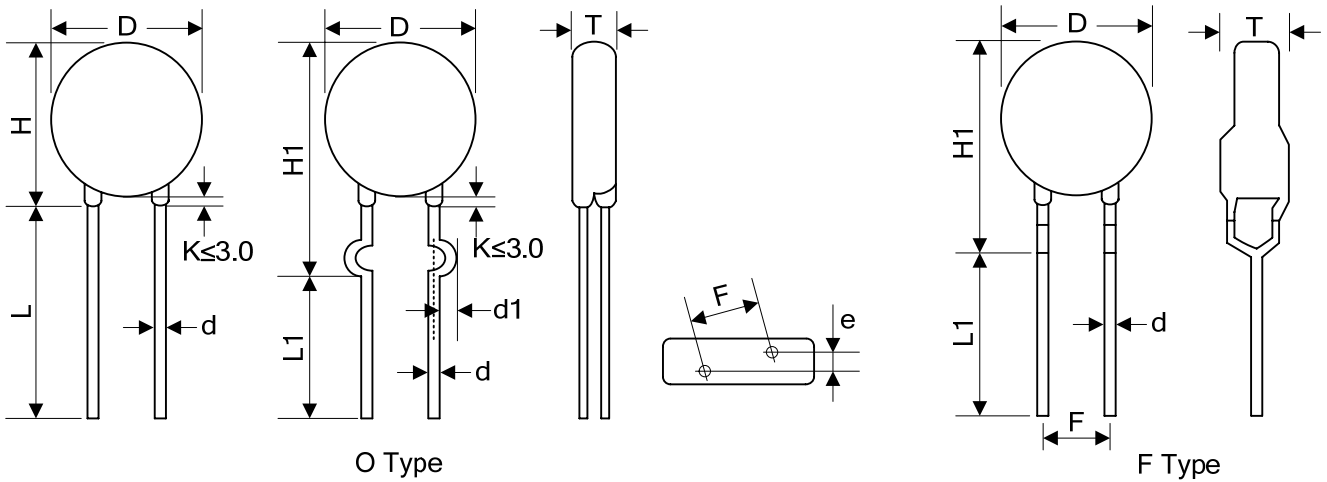


Table 1	
Unit: mm	
Symbol	Dimension
H(±2.0)	24.0
H1(±2.0)	26.5
L(min.)	20.0
L1(min.)	15.0
D	20.0~23.0
F	7.5±0.8/10.0±1.0
T(±0.8)	Table 2
e(±0.8)	Table 2
d(±0.05)	0.8/1.0
d1(±0.4)	1.4/1.6

Table 2					
Unit: mm					
Model	T	e	Model	T	e
180K	3.2	1.7	361K	4.5	2.9
220K	3.3	1.8	391K	4.6	3.0
270K	3.5	2.0	431K	4.8	3.2
330K	3.4	1.9	471K	5.0	3.4
390K	3.6	2.0	511K	5.2	3.6
470K	3.7	2.1	561K	5.6	3.8
560K	3.9	2.3	621K	5.9	4.1
680K	4.2	2.6	681K	6.2	4.4
820K	3.6	2.0	751K	6.3	4.5
101K	3.8	2.2	781K	6.4	4.6
121K	4.0	2.4	821K	6.6	4.8
151K	3.6	2.0	911K	7.0	5.2
181K	3.7	2.1	102K	7.0	5.2
201K	3.8	2.2	112K	7.4	5.6
221K	3.9	2.3	122K	7.8	6.0
241K	4.0	2.4	142K	8.6	6.8
271K	4.2	2.6	162K	9.4	7.6
301K	4.3	2.7	182K	10.2	8.4
331K	4.3	2.7			

Electrical Characteristics

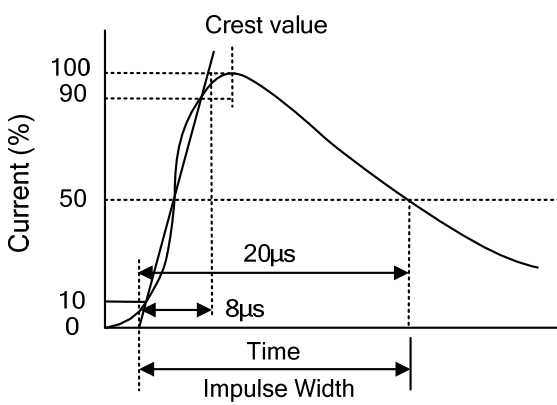
Part Number		Maximum Allowable Voltage		Varistor Voltage	Maximum Clamping Voltage		Withstanding Surge Current		Maximum Energy (10/1000μs)		Rated Power	Typical Capacitance (Reference)
Standard	High Surge	V _{AC} (V)	V _{DC} (V)	V _{1mA} (V)	I _P (A)	V _C (V)	I (A) Standard	I (A) High Surge	(J) Standard	(J) High Surge	(W)	@1KHz (pf)
180KD20-W3	180KD20J-W3	11	14	15~21.6	20	36	2000	3000	11	13	0.2	28500
220KD20-W3	220KD20J-W3	14	18	19.5~26	20	43	2000	3000	14	16	0.2	18500
270KD20-W3	270KD20J-W3	17	22	24~31	20	53	2000	3000	16	19	0.2	13000
330KD20-W3	330KD20J-W3	20	26	29.5~36.5	20	65	2000	3000	23	24	0.2	11500
390KD20-W3	390KD20J-W3	25	31	35~43	20	77	2000	3000	26	28	0.2	8500
470KD20-W3	470KD20J-W3	30	38	42~52	20	93	2000	3000	30	34	0.2	7400
560KD20-W3	560KD20J-W3	35	45	50~62	20	110	2000	3000	41	41	0.2	6500
680KD20-W3	680KD20J-W3	40	56	61~75	20	135	2000	3000	46	49	0.2	5800
820KD20-W3	820KD20J-W3	50	65	74~90	100	135	6500	10000	38	56	1.0	4900
101KD20-W3	101KD20J-W3	60	85	90~110	100	165	6500	10000	45	70	1.0	4000
121KD20-W3	121KD20J-W3	75	100	108~132	100	200	6500	10000	55	85	1.0	3300
151KD20-W3	151KD20J-W3	95	125	135~165	100	250	6500	10000	70	106	1.0	2700
181KD20-W3	181KD20J-W3	115	150	162~198	100	300	6500	10000	85	130	1.0	2200
201KD20-W3	201KD20J-W3	130	170	180~220	100	340	6500	10000	95	140	1.0	2000
221KD20-W3	221KD20J-W3	140	180	198~242	100	360	6500	10000	100	155	1.0	1800
241KD20-W3	241KD20J-W3	150	200	216~264	100	395	6500	10000	108	168	1.0	1650
271KD20-W3	271KD20J-W3	175	225	243~297	100	455	6500	10000	127	190	1.0	1500
301KD20-W3	301KD20J-W3	190	250	270~330	100	500	6500	10000	136	210	1.0	1300
331KD20-W3	331KD20J-W3	210	275	297~363	100	550	6500	10000	150	228	1.0	1200
361KD20-W3	361KD20J-W3	230	300	324~396	100	595	6500	10000	163	255	1.0	1100
391KD20-W3	391KD20J-W3	250	320	351~429	100	650	6500	10000	180	275	1.0	1000
431KD20-W3	431KD20J-W3	275	350	387~473	100	710	6500	10000	190	305	1.0	930
471KD20-W3	471KD20J-W3	300	385	423~517	100	775	6500	10000	220	350	1.0	850
511KD20-W3	511KD20J-W3	320	415	459~561	100	845	6500	10000	220	360	1.0	780
561KD20-W3	561KD20J-W3	350	460	504~616	100	925	6500	10000	220	380	1.0	710
621KD20-W3	621KD20J-W3	385	505	558~682	100	1025	6500	10000	220	390	1.0	650
681KD20-W3	681KD20J-W3	420	560	612~748	100	1120	6500	10000	230	400	1.0	600
751KD20-W3	751KD20J-W3	460	615	675~825	100	1240	6500	10000	255	420	1.0	530
781KD20-W3	781KD20J-W3	485	640	702~858	100	1290	6500	10000	265	440	1.0	510
821KD20-W3	821KD20J-W3	510	670	738~902	100	1355	6500	10000	282	460	1.0	500
911KD20-W3	911KD20J-W3	550	745	819~1001	100	1500	6500	10000	310	510	1.0	440
102KD20-W3	102KD20J-W3	625	825	900~1100	100	1650	6500	10000	342	565	1.0	400
112KD20-W3	112KD20J-W3	680	895	990~1210	100	1815	6500	10000	383	620	1.0	360
122KD20-W3	122KD20J-W3	750	990	1080~1320	100	1980	6500	10000	408	660	1.0	350
142KD20-W3	142KD20J-W3	880	1140	1260~1540	100	2310	6500	10000	532	784	1.0	340
162KD20-W3	162KD20J-W3	1000	1280	1440~1760	100	2640	6500	10000	606	896	1.0	330
182KD20-W3	182KD20J-W3	1100	1465	1620~1980	100	2970	6500	10000	625	990	1.0	320

Notes: 1. The tolerance of varistor voltage between 18V and 27V is more than 10%.

2. Varistor voltage $\geq 1200V$, structure diagram is F type.

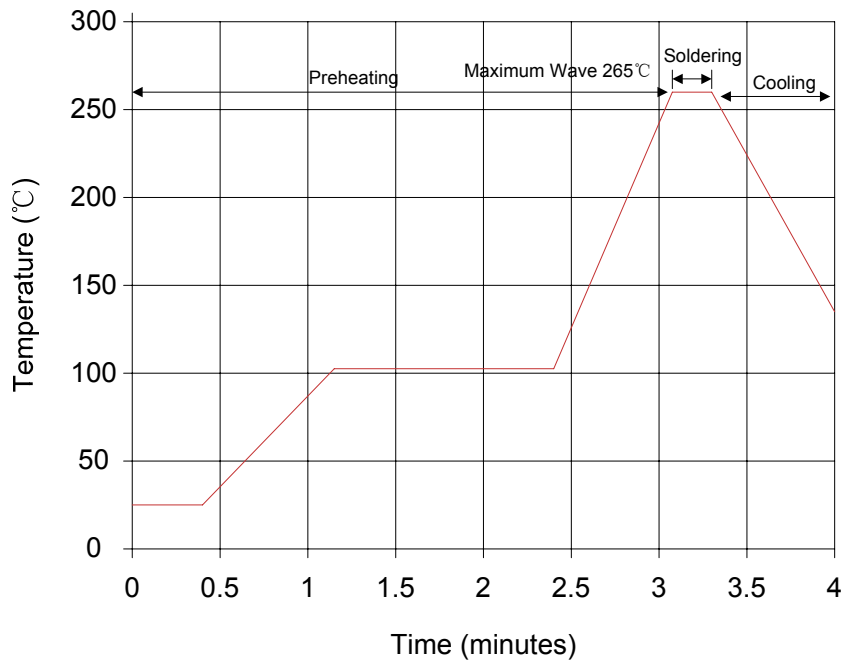
3. Leakage Current (@83% of V_{1mA}): IR $\leq 50\mu A$ (180K~680K) ; IR $\leq 25\mu A$ (820K~182K)

Electrical Ratings

Items	Test Condition/Description	Requirement					
Varistor Voltage	The voltage between two terminals with the specified measuring current 1mA.DC applied is called Vb.						
Maximum Allowable Voltage	The recommended maximum sine wave voltage (RMS) or the Maximum DC voltage can be applied continuously.						
Maximum Clamping Voltage	<p>The maximum voltage between two terminals with the specification standard impulse current. Applied waveform: 8/20μs</p> 		To meet the Specified value				
Rated Wattage	The maximum average power that can be applied within the specified ambient temperature.						
Energy	The maximum energy within the varistor voltage change of ±10% when one impulse of 10/1000μs or 2ms is applied.						
Withstanding Surge Current	The maximum current within the varistor voltage change of ±10% with the standard impulse current (8/20μs) applied one time.						
Varistor Voltage Temp. Coefficient	$\frac{V_{1mA@105^{\circ}C} - V_{1mA@25^{\circ}C}}{V_{1mA@25^{\circ}C}} \times \frac{1}{80} \times 100\% (\%/^{\circ}C)$	≥-0.05%/°C					
	$\frac{V_{1mA@-40^{\circ}C} - V_{1mA@25^{\circ}C}}{V_{1mA@25^{\circ}C}} \times \frac{1}{65} \times 100\% (\%/^{\circ}C)$	≤0.05%/°C					
Surge Life	<p>The change of Vb shall be measured after the impulse listed below which is applied 10,000 times continuously with the interval of ten seconds at room temperature.</p> <table border="1" data-bbox="438 1848 1197 1982"> <tr> <td rowspan="2">20Φ series</td> <td>180K to 680K</td> <td>100A (8/20μs)</td> </tr> <tr> <td>820K to 182K</td> <td>200A (8/20μs)</td> </tr> </table>	20Φ series	180K to 680K	100A (8/20μs)	820K to 182K	200A (8/20μs)	$\frac{\Delta V_b}{V_b} \leq \pm 10\%$
20Φ series	180K to 680K		100A (8/20μs)				
	820K to 182K	200A (8/20μs)					

Soldering Recommendation

Wave Lead Free Soldering Recommendation



Item	Conditions
Peak Temperature	265°C
Dipping Time	10 seconds (max.)
Soldering	1 time

Recommendation Reworking Conditions with Soldering Iron

Item	Conditions
Temperature of Soldering Iron-tip	360°C (max.)
Soldering Time	3 seconds (max.)
Distance from Varistor	2mm (min.)

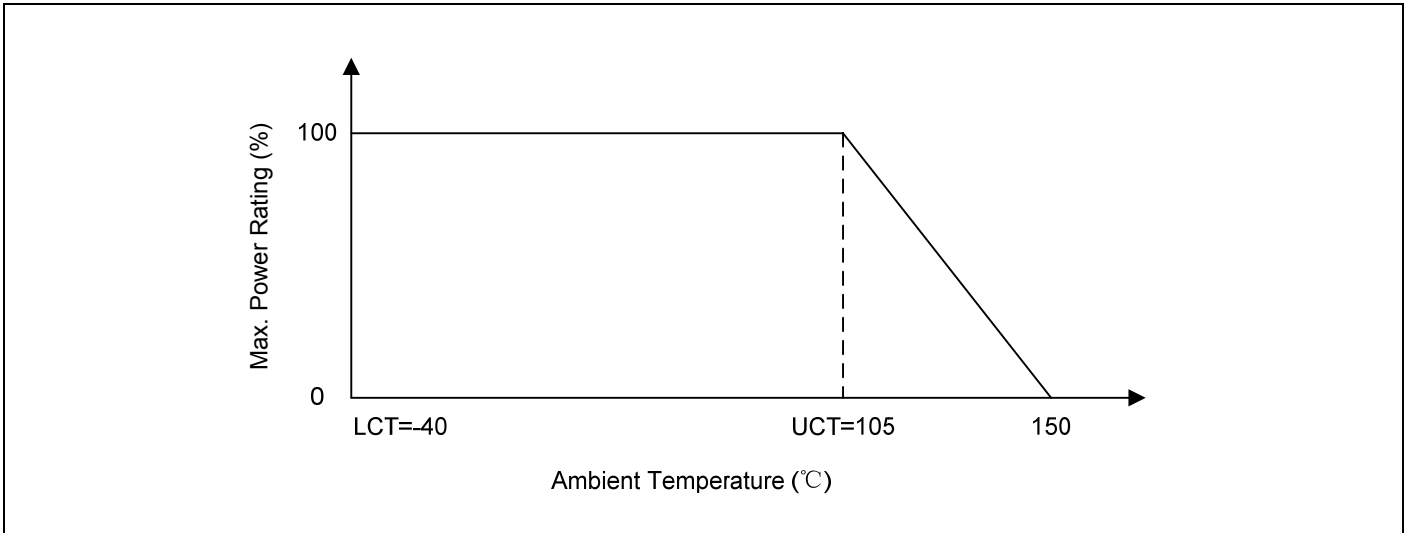
Mechanical Characteristics

Items	Test conditions / Methods	Specifications								
Tensile Strength of Terminals	Gradually applying the force specified and keeping the unit fixed for 10±1 sec. <table border="1" style="margin-left: auto; margin-right: auto;"> <thead> <tr> <th>Terminal diameter (mm)</th> <th>Force (kg)</th> </tr> </thead> <tbody> <tr> <td>0.5<d≤0.8</td> <td>1.0</td> </tr> <tr> <td>0.8<d≤1.25</td> <td>2.0</td> </tr> <tr> <td>1.25<d</td> <td>4.0</td> </tr> </tbody> </table>	Terminal diameter (mm)	Force (kg)	0.5<d≤0.8	1.0	0.8<d≤1.25	2.0	1.25<d	4.0	No visible damage ΔV _{1mA} /V _{1mA} ≤5%
Terminal diameter (mm)	Force (kg)									
0.5<d≤0.8	1.0									
0.8<d≤1.25	2.0									
1.25<d	4.0									
Bending Strength of Terminals	Hold specimen and apply the force specified below to each lead. Bend the specimen to 90°, then return to the original position. Repeat the procedure in the opposite direction. <table border="1" style="margin-left: auto; margin-right: auto;"> <thead> <tr> <th>Terminal diameter (mm)</th> <th>Force (kg)</th> </tr> </thead> <tbody> <tr> <td>0.5<d≤0.8</td> <td>0.5</td> </tr> <tr> <td>0.8<d≤1.25</td> <td>1.0</td> </tr> <tr> <td>1.25<d</td> <td>2.0</td> </tr> </tbody> </table>	Terminal diameter (mm)	Force (kg)	0.5<d≤0.8	0.5	0.8<d≤1.25	1.0	1.25<d	2.0	No visible damage ΔV _{1mA} /V _{1mA} ≤5%
Terminal diameter (mm)	Force (kg)									
0.5<d≤0.8	0.5									
0.8<d≤1.25	1.0									
1.25<d	2.0									
Vibration	Frequency range: 10~55 Hz Amplitude: 0.75mm or 98m/s ² Direction: 3 mutually perpendicular directions, 2hrs each.	No visible damage ΔV _{1mA} /V _{1mA} ≤5%								
Solder ability	Solder Temp: 245±5°C Dipping Time: 2±0.5 sec	At least 95% of terminal electrode is covered by new solder								
Resistance to Soldering Heat	Solder Temp: 260±5°C Dipping Time: 10±1 sec	No visible damage ΔV _{1mA} /V _{1mA} ≤10%								

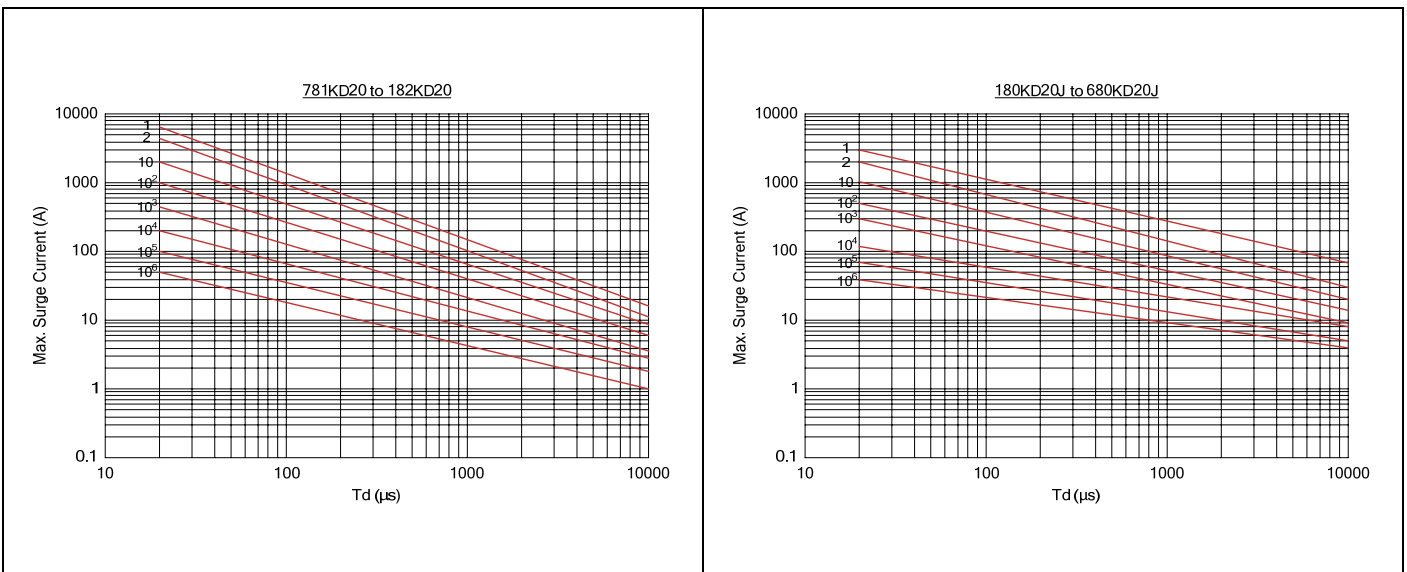
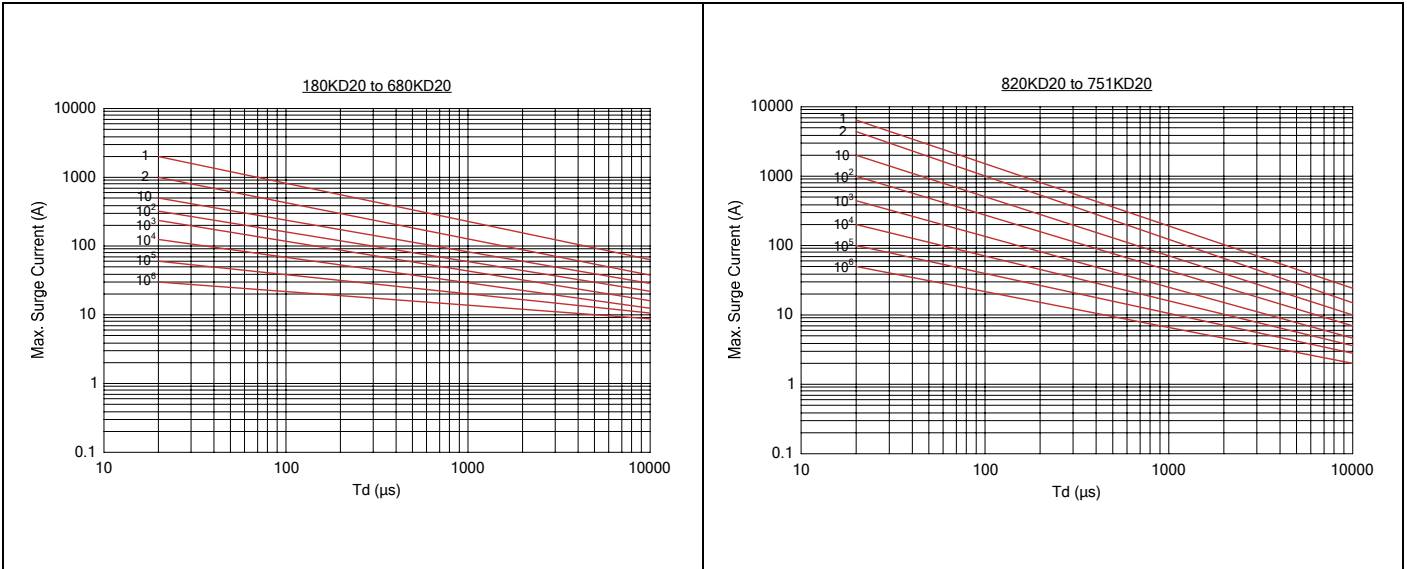
Reliability

Items	Test conditions / Methods	Specifications															
High Temperature Storage	Ambient Temp: 125±2°C Duration: 1000hrs	ΔV _{1mA} /V _{1mA} ≤5%															
Low Temperature Storage	Ambient Temp: -40±2°C Duration: 1000hrs	ΔV _{1mA} /V _{1mA} ≤5%															
Humidity	Ambient Temp: 40±2°C, 90~95% R.H. Duration: 1000hrs	ΔV _{1mA} /V _{1mA} ≤5%															
Temperature Cycle	The conditions shown below shall be repeated 5 cycles <table border="1" style="margin-left: auto; margin-right: auto;"> <thead> <tr> <th>Step</th> <th>Temperature (°C)</th> <th>Period (minutes)</th> </tr> </thead> <tbody> <tr> <td>1</td> <td>-40±3</td> <td>30±3</td> </tr> <tr> <td>2</td> <td>Room temperature</td> <td>15±3</td> </tr> <tr> <td>3</td> <td>125±3</td> <td>30±3</td> </tr> <tr> <td>4</td> <td>Room temperature</td> <td>15±3</td> </tr> </tbody> </table>	Step	Temperature (°C)	Period (minutes)	1	-40±3	30±3	2	Room temperature	15±3	3	125±3	30±3	4	Room temperature	15±3	No visible damage ΔV _{1mA} /V _{1mA} ≤5%
Step	Temperature (°C)	Period (minutes)															
1	-40±3	30±3															
2	Room temperature	15±3															
3	125±3	30±3															
4	Room temperature	15±3															
High Temperature Load	Ambient Temp: 105±2°C Duration: 1000hrs Load: Max. Allowable Voltage In AC eara.	ΔV _{1mA} /V _{1mA} ≤10%															
Damp Heat Load	Ambient Temp: 40±2°C, 90~95% R.H. Duration: 1000hrs Load: Max. Allowable Voltage	No visible damage ΔV _{1mA} /V _{1mA} ≤10%															
Voltage Proof	Metal balls method, 2500Vac 1 min.	No visible damage															

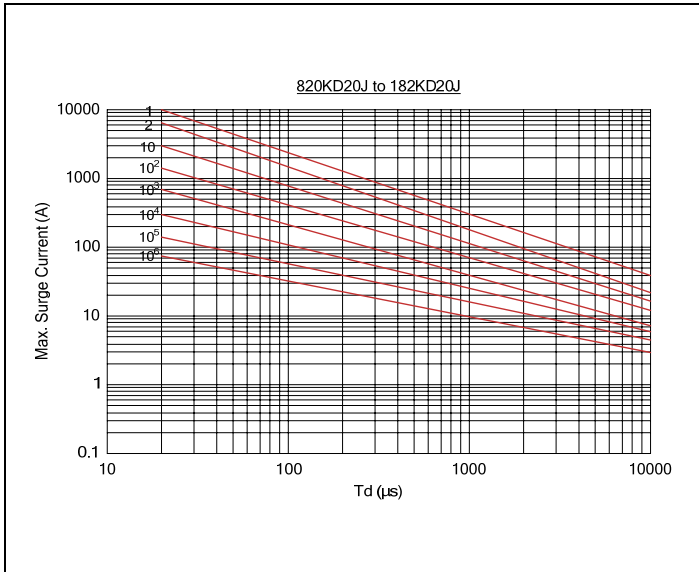
Power Derating Curve



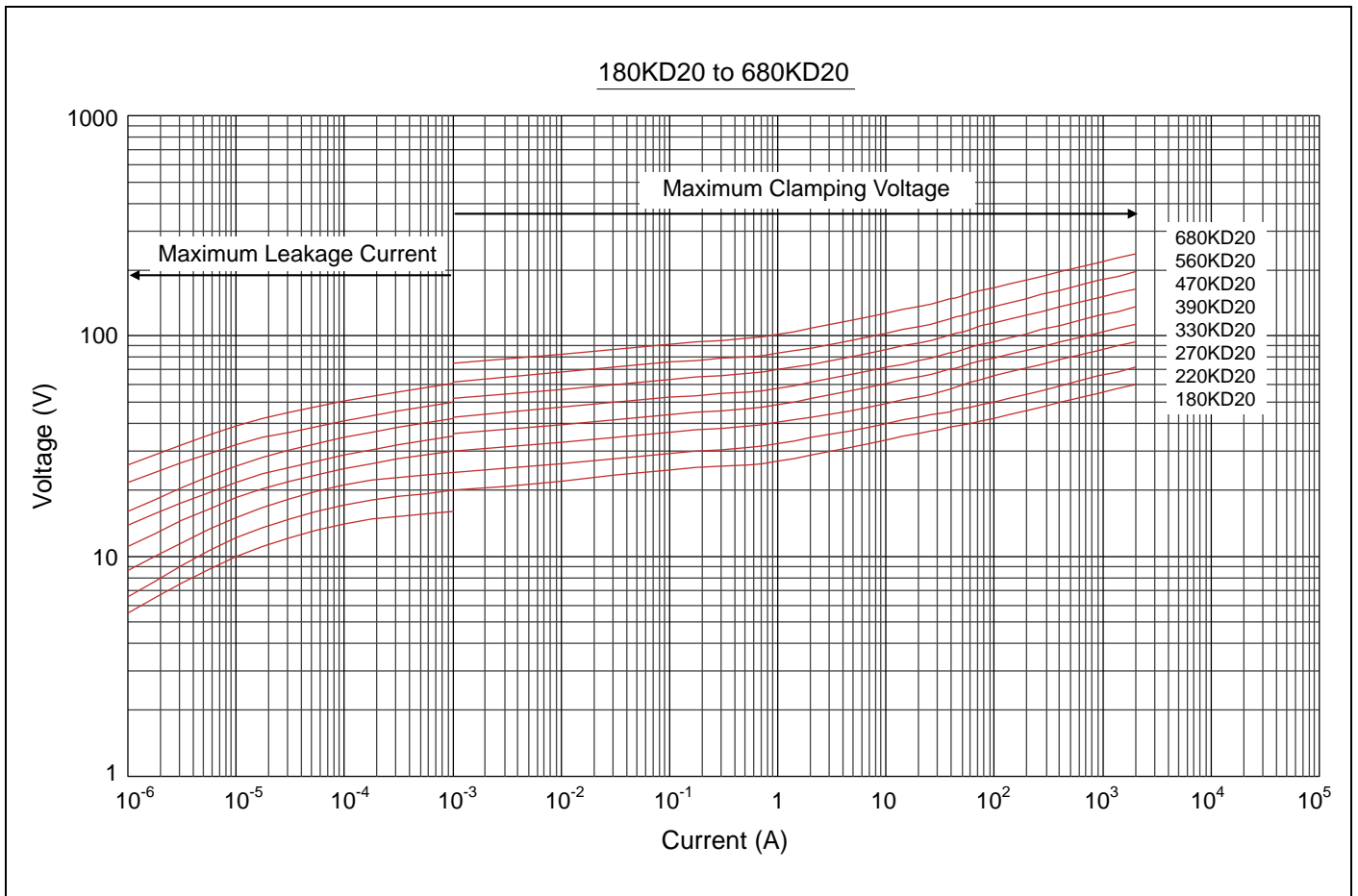
Maximum Surge Current Derating Curve



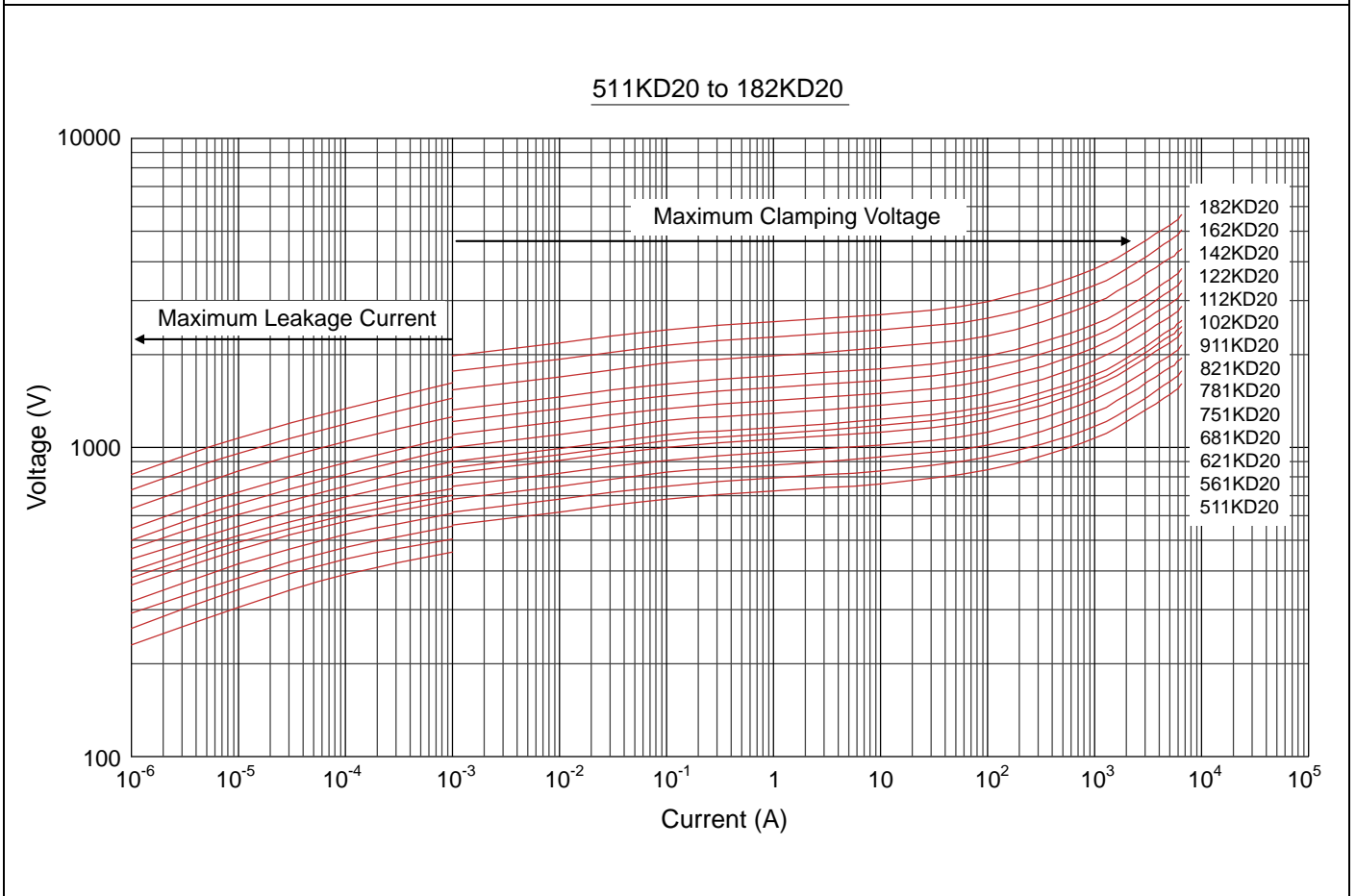
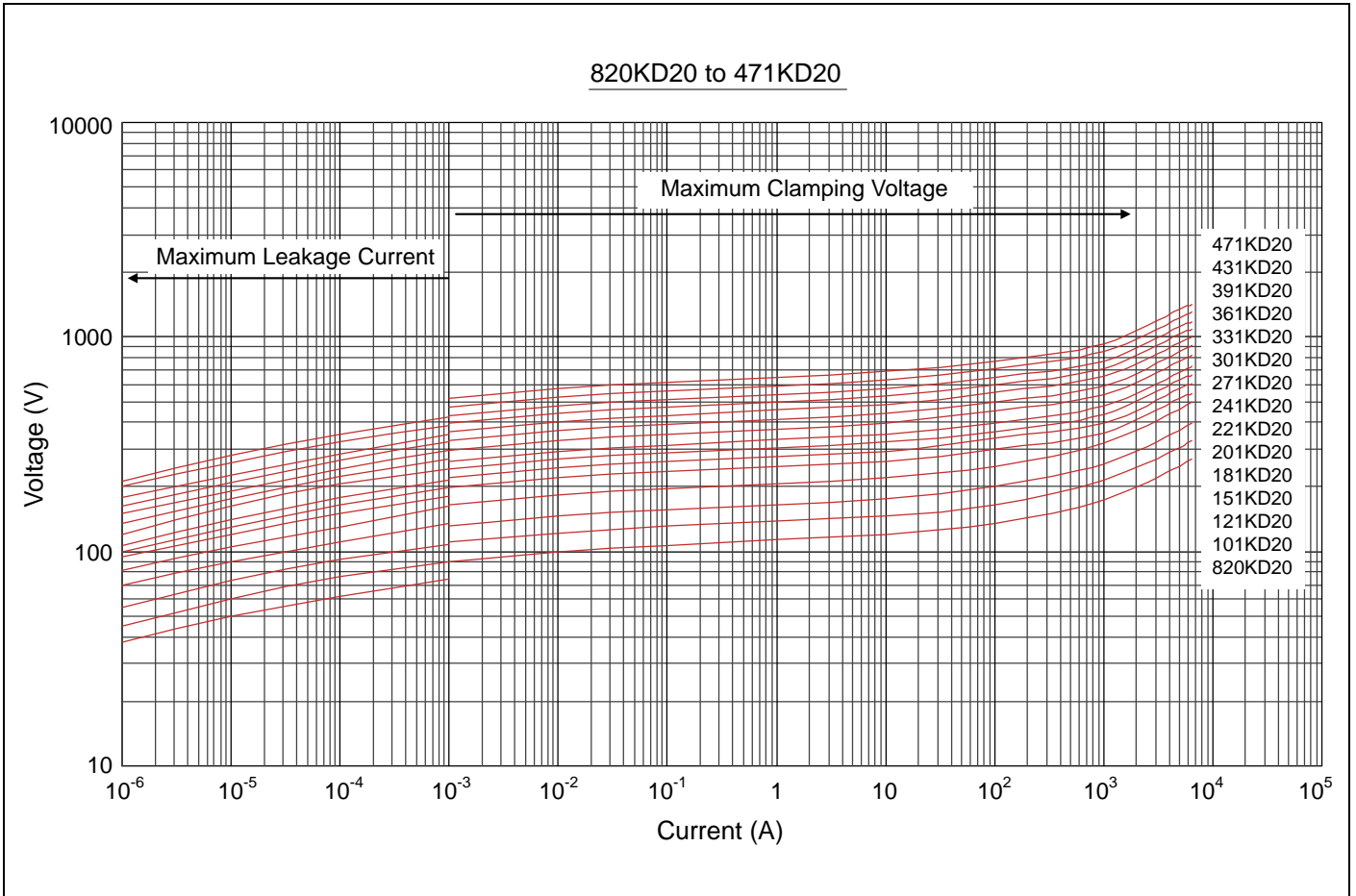
Maximum Surge Current Derating Curve



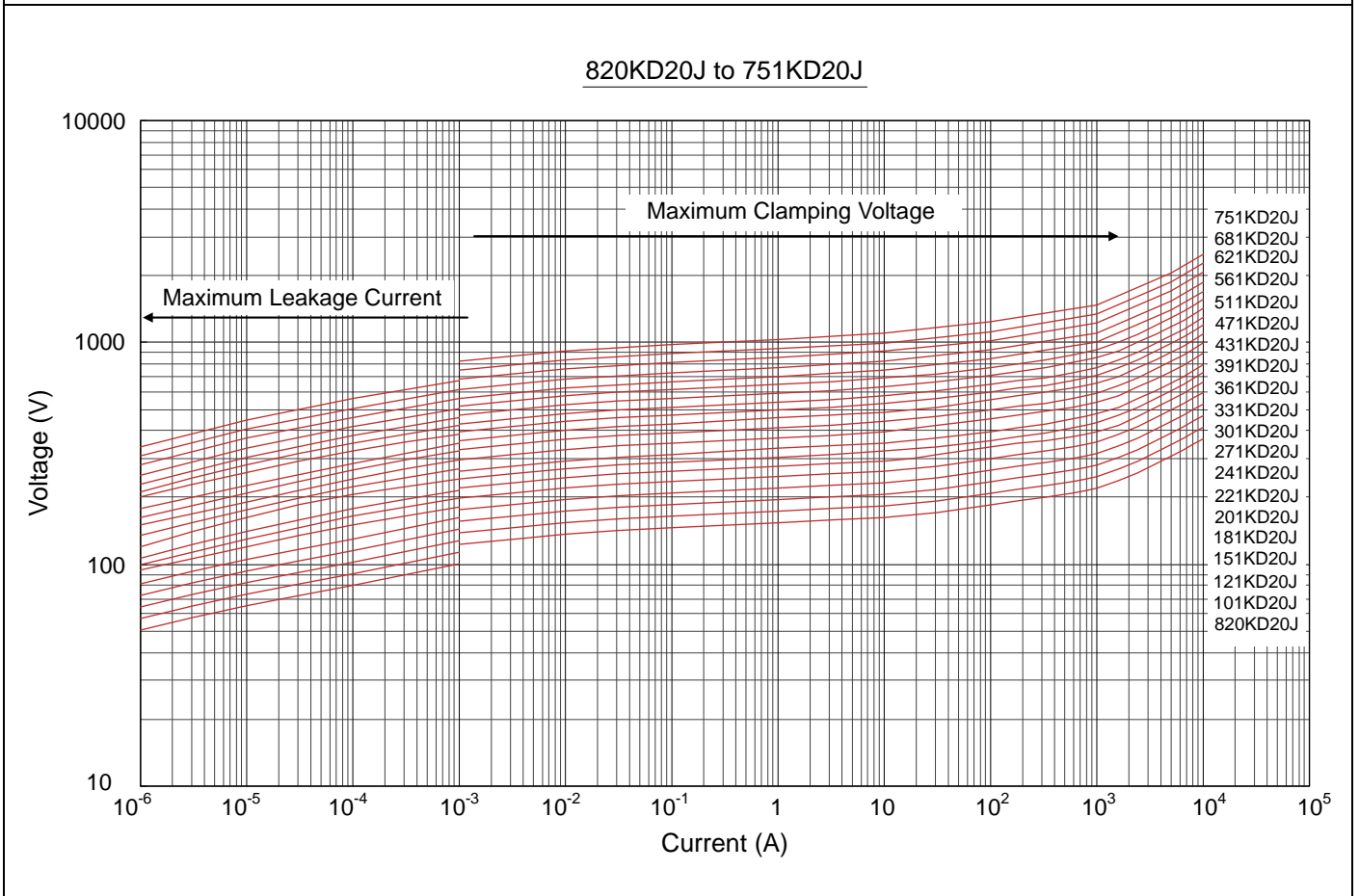
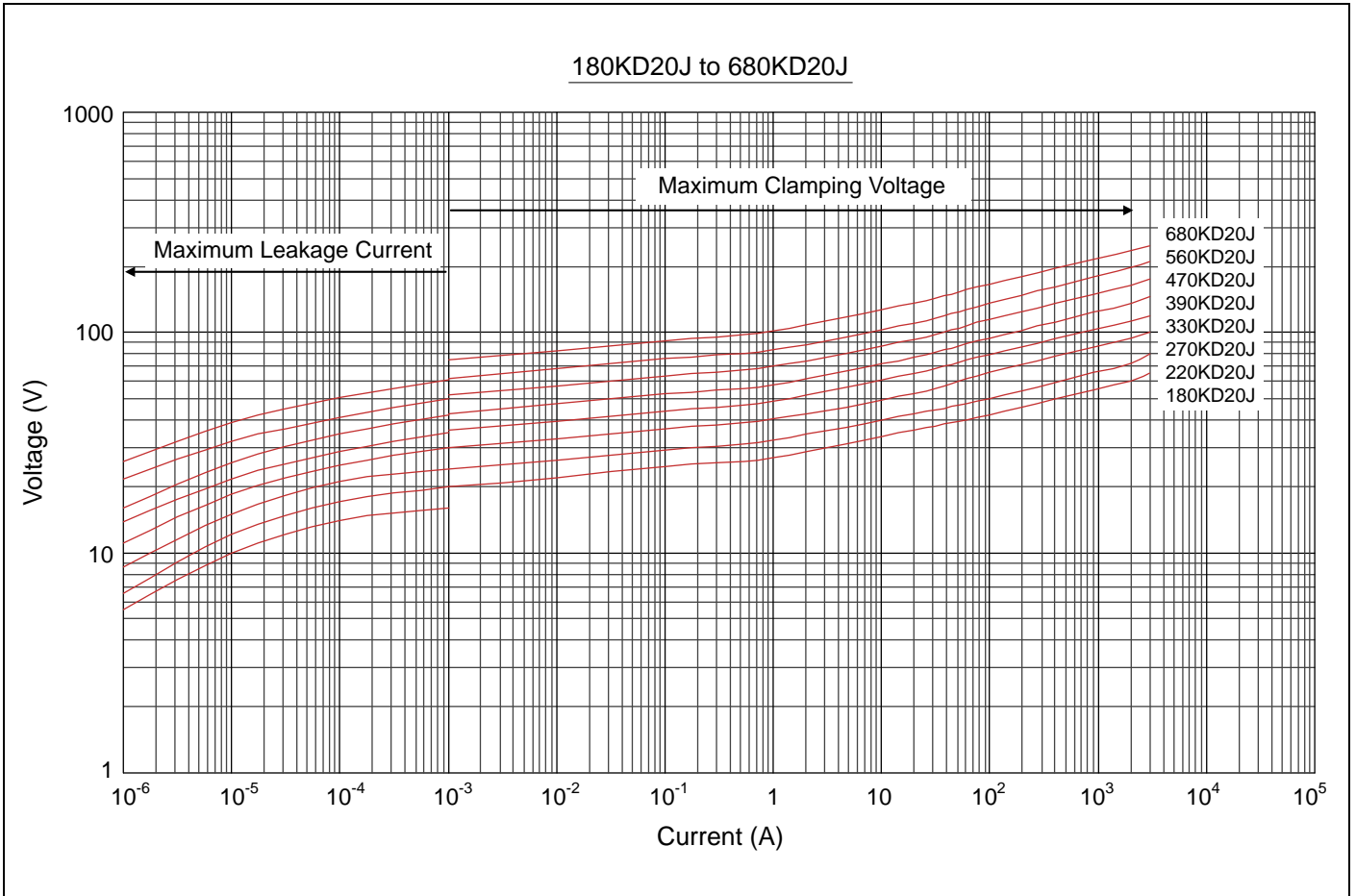
Maximum Leakage Current and Maximum Clamping Voltage Curve



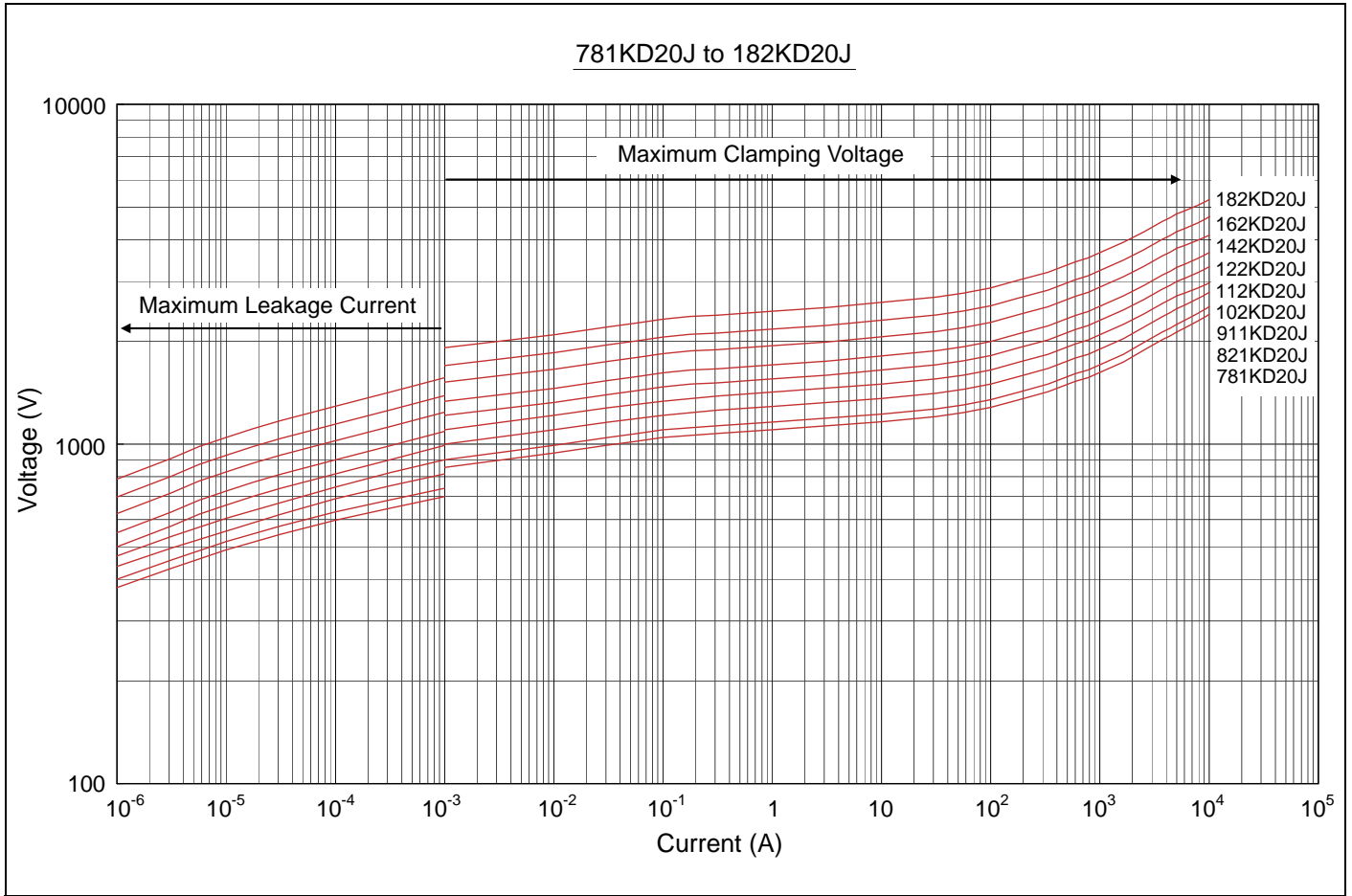
Maximum Leakage Current and Maximum Clamping Voltage Curve



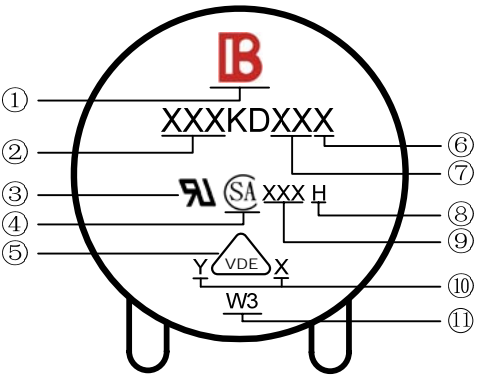
Maximum Leakage Current and Maximum Clamping Voltage Curve



Maximum Leakage Current and Maximum Clamping Voltage Curve

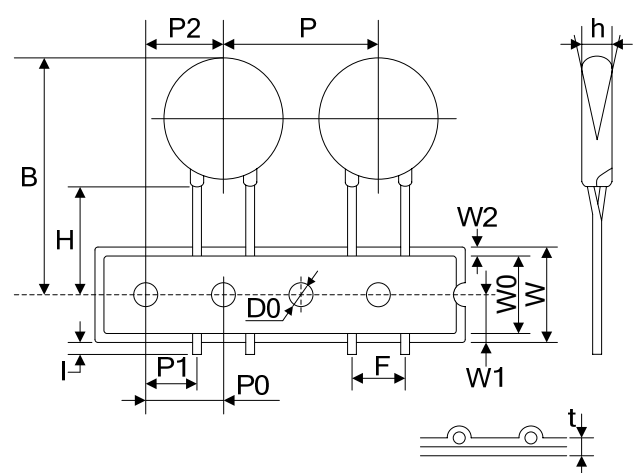


Marking Code




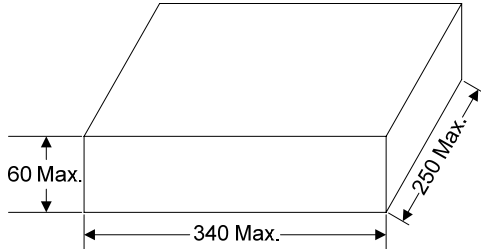
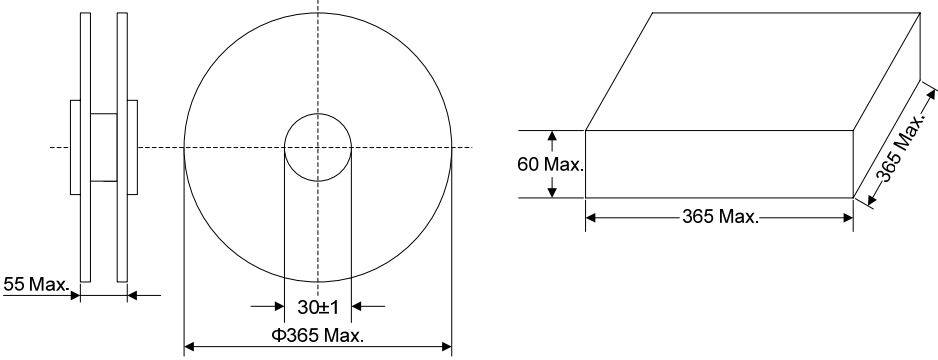
① Brightking Logo
 ② Varistor Voltage
 ③ UL Accreditation Logo
 ④ CSA Accreditation Logo
 ⑤ VDE Accreditation Logo
 ⑥ “J” is High Surge Code, no “J” is Standard Surge
 ⑦ Disk Size
 ⑧ “H” is Halogen Free Code, no “H” is Halogen
 ⑨ Date Code
 ⑩ Product Line Code (“Y” may be A thru Z or blank)
 ⑪ High Temperature Code (105°C)

Taping Dimensions



Symbol	Dimensions (mm)
P	25.4±1.0
P0	12.7±1.0
P1	8.95/7.7±0.7
P2	12.7±1.3
F	7.5±0.8/10.0±1.0
h	0±4
W	18.0±1.0
W0	12.0±1.0
W1	9.0±0.5
W2	3.0max
H	20.0±2.0
I	1.0max
D0	4.0±0.2
t	0.6±0.3
B	45max

Quantity

Packaging Dimensions (Unit: mm)	Quantity
<p>Bulk</p> 	<p>250pcs/bag 2bags/box (180K~301K)</p> <p>200pcs/bag 2bags/box (331K~561K)</p> <p>150pcs/bag 2bags/box (621K~112K)</p> <p>100pcs/bag 2bags/box (122K~182K)</p>
<p>Tape & Box</p> 	<p>400pcs/box (180K~301K)</p> <p>300pcs/box (331K~561K)</p>
<p>Tape & Reel</p> 	<p>400pcs/box (180K~301K)</p> <p>300pcs/box (331K~561K)</p>