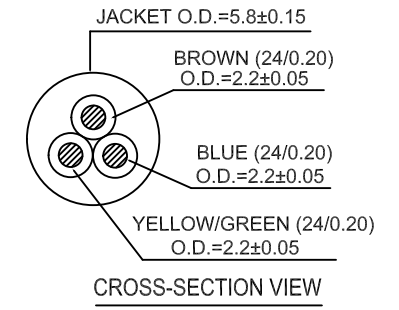
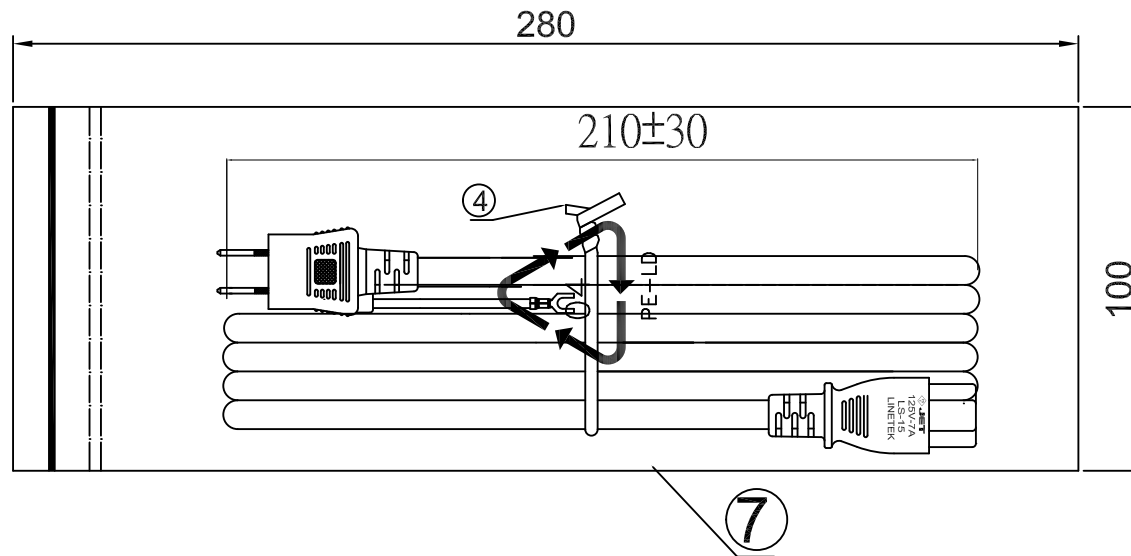


CABLE MARKING : <PS>E JET --LINETEK-- H03VV-F 300/300V 3G0.75mm2 (N.M) "LF"



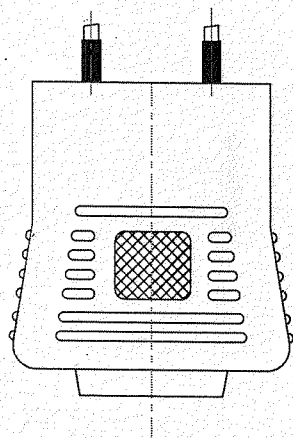
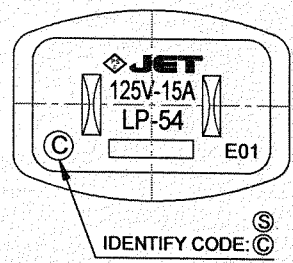
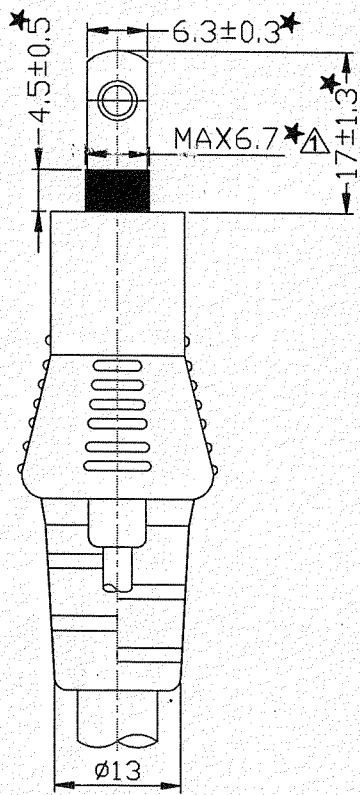
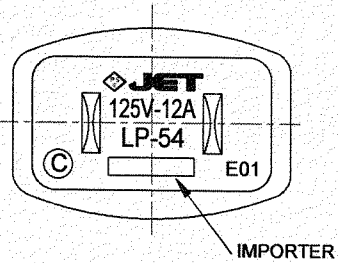
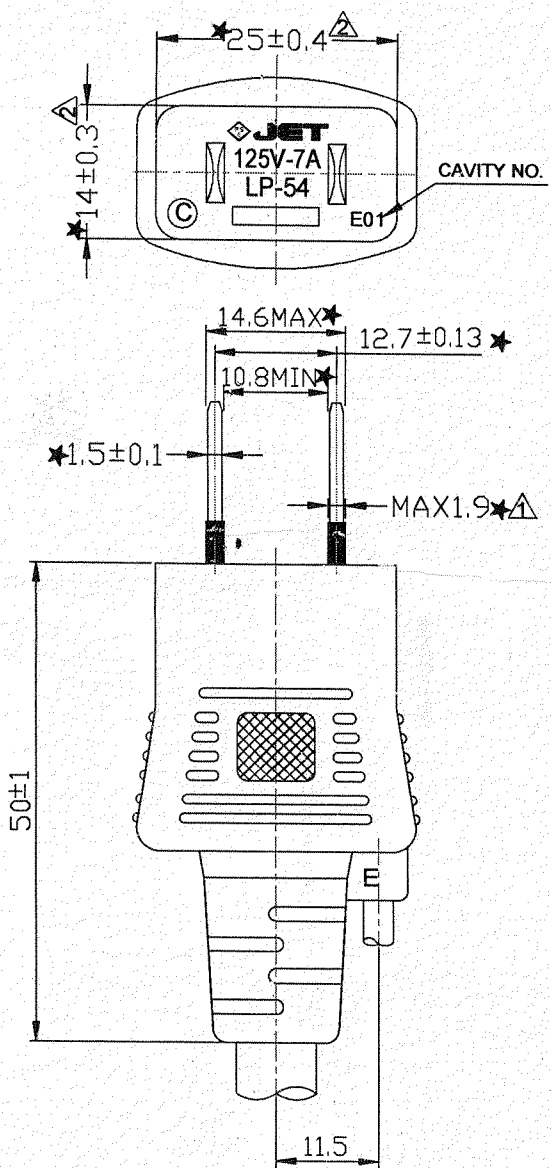
7	PE BAG (CPEA28010016)	1	EA
6	TRANSPARENT SLEEVE	1	EA
5	TERMINAL(Y) Ø4.3 ( YY2--8S0010)	1	EA
4	PE MINI TIE (BLACK)	1	EA
3	MOLDED CONNECTOR:LS-15 7A/125V	1	EA
2	MOLDED PLUG:LP-54 7A/125V	1	EA
1	H03VV-F 0.75mm <sup>2</sup> 3C	1	EA
ITEM	DESCRIPTION	Q'TY	U/M

Notes:

- 1:CABLE: THE CORD SHALL COMPLY WITH IEC60227.
- 2:PLUG:THE MOLDED PLUG SHALL COMPLY WITH JIS C 8303 AND 8306
- 3:CONNECTOR:THE MOLDED CONNECTOR SHALL COMPLY WITH IEC60320-1 STANDARDS (C5 CONNECTOR)
- 4:THE PRODUCT SHALL BE TESTED 100% FOR ALL SAFETY ELECTRICAL ITEMS
- 5.COLOR:BLACK(EA0000)
- 6.PRINT: INDENT PRINT
- 7.THE PRODUCT SHOULD COMPLY WITH RoHS STANDARD.
- 8.N.M 50°C 24H 500G ABS PLATE

1		Original Picture		2014.12.25
REV	ECN NO	DESCRIPTION	APPD.	DATE

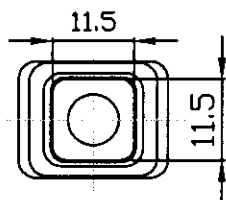
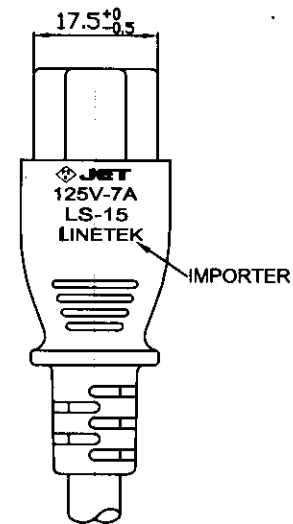
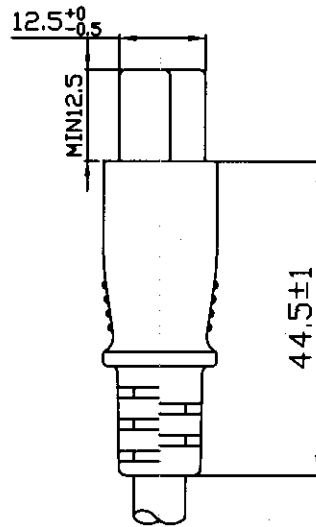
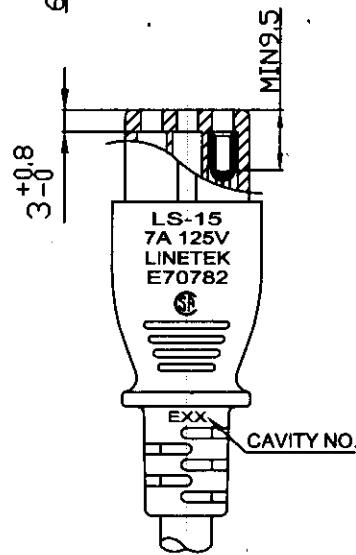
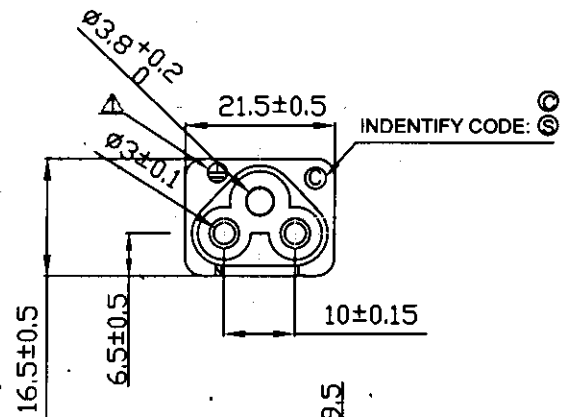
Tolerance: >0±0.3 >1±0.5 >10±1 >20±2  Angle: ±1°	Approved by:			
	Checked by:			
	Drawn by:		Customer P/N:	
	Date:		Everfull P/N:	
Scale: X Unit: mm		DWG. NO:		
Specification Use Only		KW14120177		
		SHEET: 1 OF 1		
		REV: 1		



3		△ Modify the size tolerance		16/01-15
2		△ Modify dimensional tolerances and map name		14/01-15
1		Original Picture		21/10-06
REV	ECN NO	DESCRIPTION	APPD.	DATE

Suitable Flexible cord:  
 (H)VCT(F) 3X0.75mm<sup>2</sup>  
 (H)VCT(F) 3X1.25mm<sup>2</sup>  
 (H)VCT(F) 3X2.00mm<sup>2</sup>  
 VCTF(AL) 0.75mm<sup>2</sup>3C

Tolerance: >0 ±0.3 >5 ±0.5 >10 ±1 >20 ±2 Angle: ±1°	Approve:	<b>LINETEK</b> Everfull Electronic (Shenzhen) Co.,Ltd.			
	Checked:				
	Engineer:	Description:	LP-54(PSE)新防塵 △		
	Drawn: YKC	Material:	P.V.C	View:	⊕ ⊖
Date: 21/10-06	Scale:	XX	Unit:	mm	
Specification Use Only		Dwg.No.:	MLD-ALPA111	REV:	3.0



SCALE:4:1

2	GA090093	△ Add the ground circle		17/08-09
1		Original Picture		20/11-06
REV	ECN NO	DESCRIPTION	APPD.	DATE

Suitable Flexible cord:  
 SPT-2 18AWG/3C  
 SVT 18AWG/3C  
 VCTF 0.75mm<sup>3</sup>C

Tolerance:  
 >0 ±0.3  
 >5 ±0.5  
 >10 ±1  
 >20 ±2

Angle:  
 ±1°

Approve: *Jackey*  
 Checked: *[Signature]*  
 Engineer: *[Signature]*  
 Drawn: 丁飛  
 Date: 17/08-09



Description: LS-15(UL+PSE)

Material:	P.V.C	View:	☉ □
Scale:	XX	Unit:	mm
Dwg.No.:	MLD-ALSA076	REV	2.0

Specification Use Only

**Everfull Electronic  
(Shenzhen) Co.,Ltd.**

文件編號: EF<sub>3</sub>-WRD-b033

製定日期: 2014.12.26

修改日期:

**PRODUCT SPEC**

版 本: 1.0

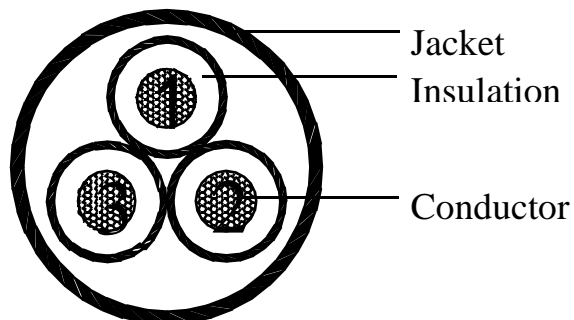
頁 次: 1/1

Item		Unit	Specification
<b>Product</b>			H03VV-F
Conductor	Size	mm <sup>2</sup>	0.75
	Material		Annealed Soft Bare Copper Wire
	Number	C	3
	Construction	pcs/mm	24/0.20
Insulation	Material		PVC
	Min.Thickness	mm	0.35
	Min.Avg.Thickness	mm	0.50
	Diameter	mm	2.20±0.05
Cadre	Construction		See Cross-Section
Jacket	Material		PVC
	Min.Thickness	mm	0.41
	Min.Avg.Thickness	mm	0.60
	Diameter	mm	5.8±0.15
	Color		By Order
Marking	<PS>E JET --LINETEK-- H03VV-F 300/300V 3G0.75mm <sup>2</sup> (N.M) "LF"		

**Electrical & Physical Property**

Item	Unit	Specification	Standard
Conductor Resistance	/KM	AT 20°C	Max.26.0
Insulation Resistance	M /km	AT 70°C	Min0.010
Dielectric Withstand	VAC/5min	2000	NO Breakdown
Flame Test	Sec	DZ-3	Max.60

Cross-Section View:



Color Code:

1	Brown
2	Blue
3	Yellow/Green

Approved :

Checked :

Engineer: Kenneth



# BILL OF MATERIALS

CUSTOMER P/N	253450LTK					DATE	2015.01.21
RFS. NO.	KW14120177					PAGE	1/1
NO.	SUB PART	RAW MATERIAL				REMARK	
		MANUFACTURER	GENERAL NAME	TYPE	FLAME CLASS		
1	FLEXIBLE CORD	All the materials approved by Everfull can be used.	PVC COPPER WIRE	PSE H03VV-F 0.75mm <sup>2</sup> 3C	-		
2	PLUG:LP-54	All the materials approved by Everfull can be used.	PVC(BLACK)	P0000-35-B0000	94V-0		
		All the materials approved by Everfull can be used.	TERMINAL	YY2--8S0010	-		
		All the materials approved by Everfull can be used.	BRASS/NI	TC10016---	-		
		All the materials approved by Everfull can be used.	INNER HOUSING	HAABS90000021	-		
3	CONNECTOR: LS-15	All the materials approved by Everfull can be used.	TERMINAL	YO0-P8S0021	-		
		All the materials approved by Everfull can be used.	INNER COVER	HA-----0020A	-		
		All the materials approved by Everfull can be used.	TERMINAL	YO0-P8S0023			
		All the materials approved by Everfull can be used.	INNER COVER	HA-----0020B			
		All the materials approved by Everfull can be used.	PVC(BLACK)	P0000-45-B0000	94V-0		
4	MINI TIE	All the materials approved by Everfull can be used.	PE MINI TIE(BLACK)	CMI00002015	-		
5	PO BAG	All the materials approved by Everfull can be used.	WATERPROOF PO BAG(88×66cm)	CPEO88066001	-		
6	CARTON	All the materials approved by Everfull can be used.	(18"×13"×10"K=K)	CRTKK18-13-10-3	-		

APPROVED BY:James

CHECKED BY:Kenneth

MADE BY:JOEHO