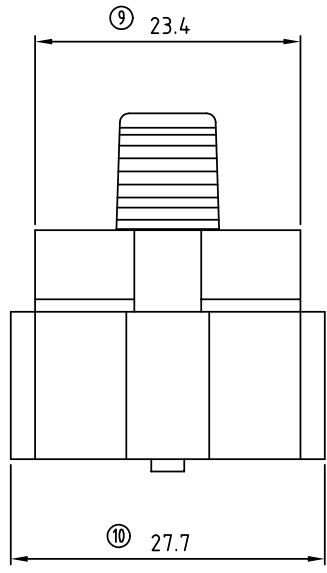
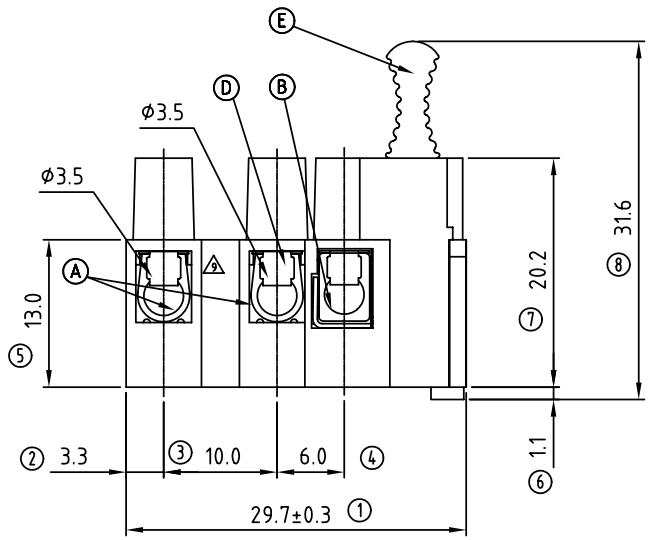
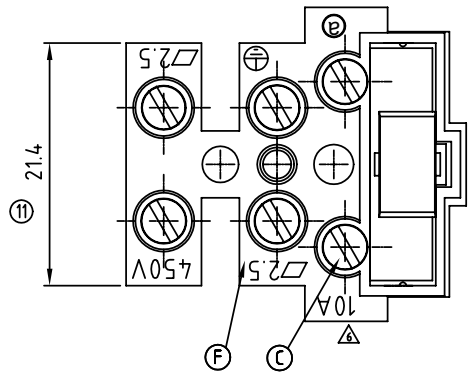


SIGN	DATE	DESCRIPTION	APPROVER
△	7/07'09	Electrical standard is changed from UL/cUL to cULus	Kind
△	7/07'09	Current rating changed from 8A to 10A	Kind
△	7/07'09	Operating tem. changed from -30°C~105°C to -40°C~115°C	Kind
△	7/07'09	Add VDE Certification	Kind
△	01/12'10	Here increases the shell fragment	welch

THIS IS CAD DRAWING, DO NOT REVISE MANUALLY!!!



Material

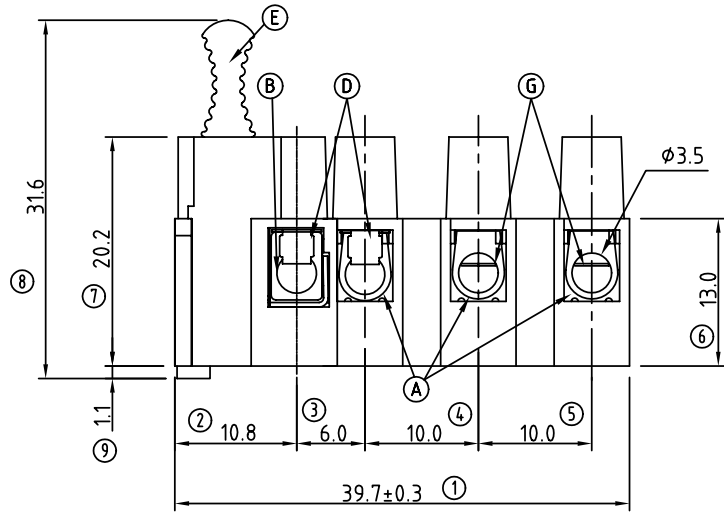
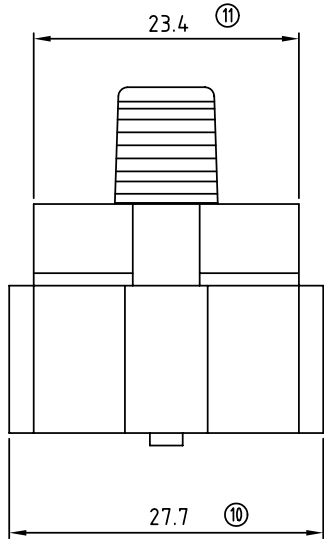
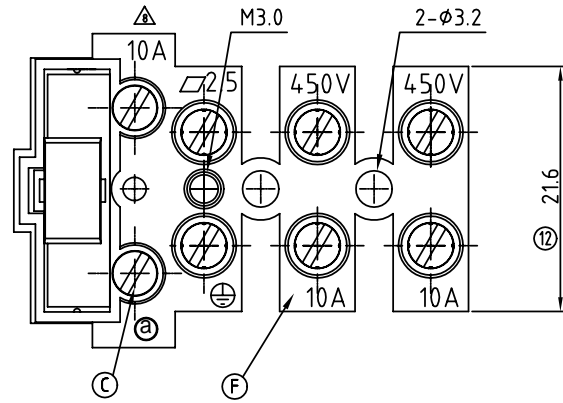
- (A) Terminal body(metal housing of double): Brass(CuZn),Ni plated
- (B) Terminal body(metal housing of single): Brass(CuZn),Ni plated
- (C) Terminal screw: Steel Zinc plating "-" slot type
- (D) Wire guard: Steeless steel
- (E) Insulator (lever): Thermoplastic (UL94V-0)
- (F) Insulator (housing): Thermoplastic (UL94V-0)

- △ △ Electrical cULus VDE
 - Voltage rating: 400VAC / 450VAC
- △ ● Current rating: 10A / 24A
 - Wire range: 0.34~2.5mm²
 - Solid wire(AWG): 14-22
 - Stranded wire(AWG): 14-22
 - Torque(Lb-In): 3.5 / 0.5 Nm
 - Screw: M3
 - Wire strip length: 7-8mm
 - Withstanding Voltage: 1.8KV / 2.5KV
- △ ● Operating temperature: -40°C to +115°C
- Safety Approval:

ANYTEK				CUSTOMER COPY													
ALL RIGHTS RESERVED. REPRODUCTION OR ISSUE TO THIRD PARTIES IN ANY FORM WHATSOEVER IS NOT PERMITTED WITHOUT WRITTEN AUTHORITY FROM THE PROPRIETOR. PROPERTY OF ANYTEK TECHNOLOGY CO., LTD																	
TITLE	TM - series 3 Poles																
PART NO.	TM031900000G			DWG NO.	8TM0001												
APPROVED	CHECKED	DESIGNED	DRAWN	CUST NO.	<table border="1" style="width: 100%;"> <thead> <tr> <th colspan="2">Tolerance</th> </tr> </thead> <tbody> <tr> <td>X.</td> <td>±0.50</td> </tr> <tr> <td>X.X</td> <td>±0.30</td> </tr> <tr> <td>X.XX</td> <td>±0.10</td> </tr> <tr> <td>X°</td> <td>±1°</td> </tr> </tbody> </table>			Tolerance		X.	±0.50	X.X	±0.30	X.XX	±0.10	X°	±1°
Tolerance																	
X.	±0.50																
X.X	±0.30																
X.XX	±0.10																
X°	±1°																
		welch 2010.01.12	welch 2010.01.12														
					UNIT: mm												
					SCALE: NONE												
				SHEET: 01/01	REV.: G												

SIGN	DATE	DESCRIPTION	APPROVER
△	7/07'09	Electrical standard is changed from UL/cUL to cULus	Kind
△	7/07'09	Current rating changed from 8A to 10A	Kind
△	7/07'09	Operating tem. changed from -30°C~105°C to -40°C~115°C	Kind
△	7/07'09	Add VDE Certification	Kind

THIS IS CAD DRAWING, DO NOT REVISE MANUALLY!!!



Material

- (A) Terminal body(metal housing of double): Brass(CuZn),Ni plated
- (B) Terminal body(metal housing of single): Brass(CuZn),Ni plated
- (C) Terminal screw: Steel Zinc plating "-" slot type
- (D) Wire guard(short): Steeless steel
- (E) Insulator (lever): Thermoplastic (UL94V-0)
- (F) Insulator (housing): Thermoplastic (UL94V-0)
- (G) Wire guard(long): Steeless steel
- △ Electrical cULus VDE
 - Voltage rating: 400VAC / 450VAC
- △ ● Current rating: 10A / 24A
 - Wire range: 0.34~2.5mm²
 - Solid wire(AWG): 14-22
 - Stranded wire(AWG): 14-22
 - Torque(Lb-In): 3.5 0.5 Nm
 - Screw: M3
 - Wire strip length: 7-8mm
 - Withstanding Voltage: 1.8KV / 2.5KV
- △ ● Operating temperature: -40°C to +115°C
- Safety Approval:

ANYTEK

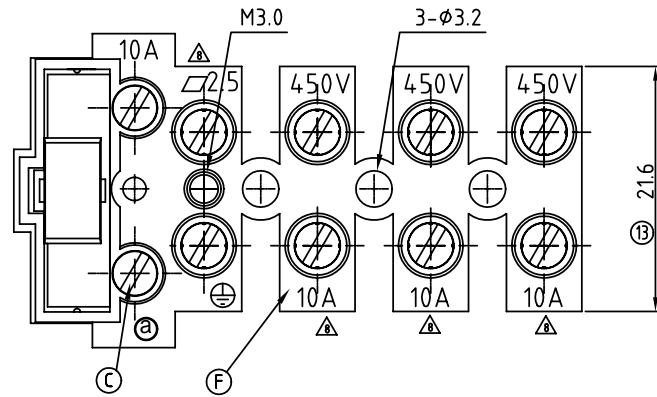
CUSTOMER COPY

ALL RIGHTS RESERVED. REPRODUCTION OR ISSUE TO THIRD PARTIES IN ANY FORM WHATSOEVER IS NOT PERMITTED WITHOUT WRITTEN AUTHORITY FROM THE PROPRIETOR. PROPERTY OF ANYTEK TECHNOLOGY CO., LTD

TITLE		TM - Series Fuse holder with 4 Poles				
PART NO.		TM0419000000G		DWG NO.		8TM0701
APPROVED	CHECKED	DESIGNED	DRAWN	CUST NO.		Tolerance X. ±0.50 X.X ±0.30 X.XX ±0.10 X° ±1°
		Kind 2009.07.08	Kind 2009.07.08			
				SHEET: 01/01		UNIT: mm SCALE: NONE REV.: F

SIGN	DATE	DESCRIPTION	APPROVER
△	7/07'09	Electrical standard is changed from UL/cUL to cULus	Kind
△	7/07'09	Current rating changed from 8A to 10A	Kind
△	7/07'09	Operating tem. changed from -30°C~105°C to -40°C~115°C	Kind
△	7/07'09	Add VDE Certification	Kind

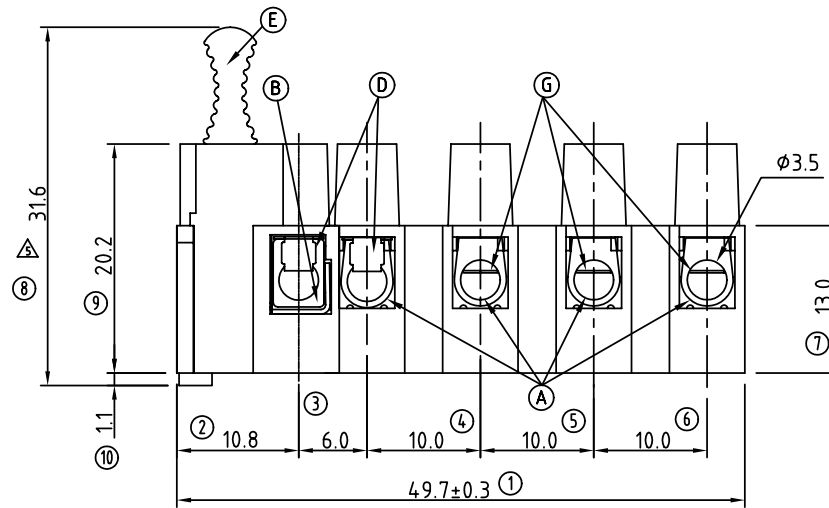
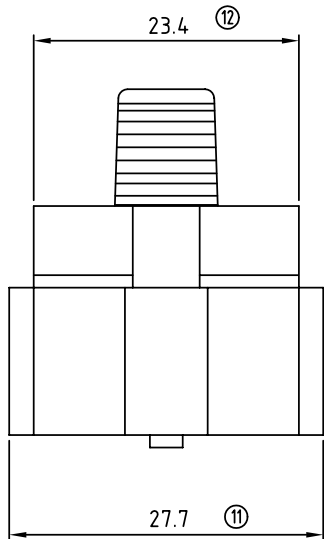
THIS IS CAD DRAWING, DO NOT REVISE MANUALLY!!!



Material

- (A) Terminal body(metal housing of double): Brass(CuZn),Ni plated
- (B) Terminal body(metal housing of single): Brass(CuZn),Ni plated
- (C) Terminal screw: Steel Zinc plating "-" slot type
- (D) Wire guard(short): Steeless steel
- (E) Insulator (lever): Thermoplastic (UL94V-0)
- (F) Insulator (housing): Thermoplastic (UL94V-0)
- (G) Wire guard(Long): Steeless steel

- △ △ Electrical cULus VDE
 - Voltage rating: 400VAC / 450VAC
- △ ● Current rating: 10A / 24A
 - Wire range: 0.34~2.5mm²
 - Solid wire(AWG): 14-22
 - Stranded wire(AWG): 14-22
 - Torque(Lb-In): 3.5 / 0.5 Nm
 - Screw: M3
 - Wire strip length: 7-8mm
 - Withstanding Voltage: 1.8KV / 2.5KV
- △ ● Operating temperature: -40°C to +115°C
- Safety Approval:



ANYTEK				CUSTOMER COPY			
TITLE		TM - series 5 Poles with handle					
PART NO.		TM0519000000G		DWG NO.		8TM0301	
APPROVED		CHECKED		DESIGNED		DRAWN	
				Kind 2009.07.08		Kind 2009.07.08	
				CUST NO.		Tolerance	
						UNIT: mm	
						SCALE: NONE	
				SHEET: 01/01		REV.: F	
						X. ±0.50	
						X.X ±0.30	
						X.XX ±0.10	
						X° ±1°	