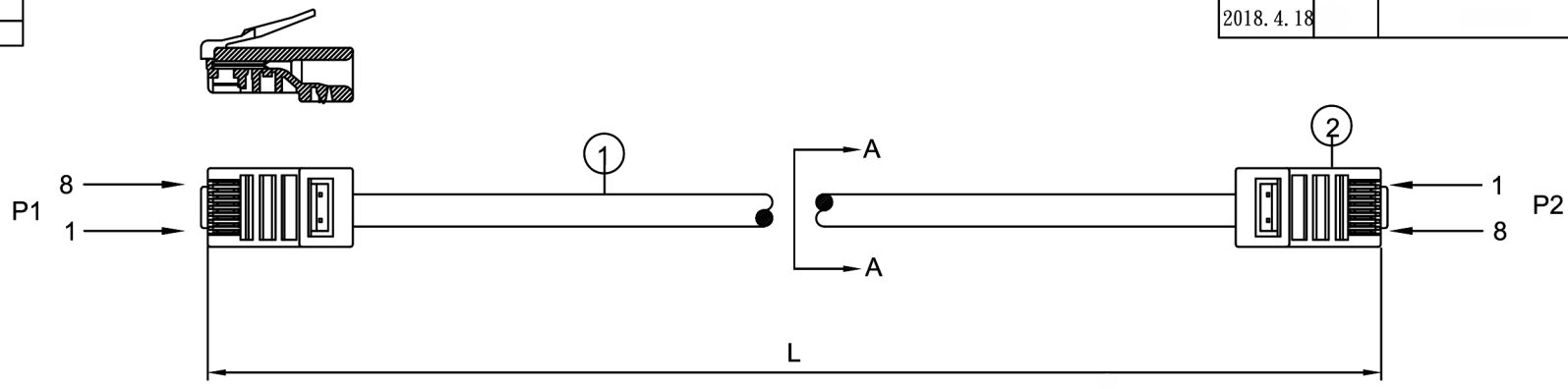


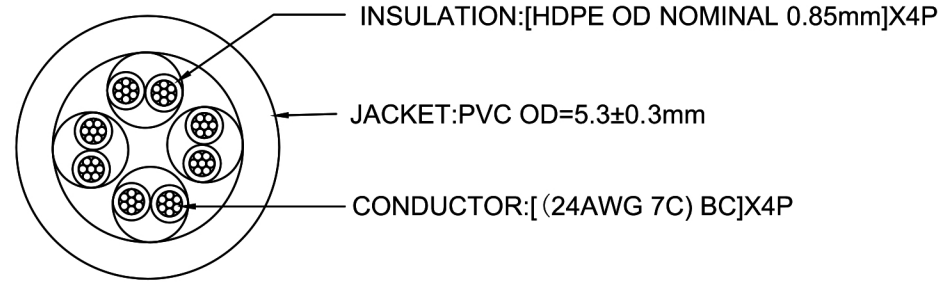
MOLDING	

DATE	REV.	REVISION	DRAFTING	CHECKED
2018. 4. 18				



INK MARKING: PATCH CABLE www.ecorecables.com 866-519-9505 CAT5E UTP 350MHz ETL VERIFIED TO ANSI/TIA-568-C.2 ▲
 4PR/24AWG CMX(UL) c(UL) CMH E164469-XX RoHS COMPLIANT

COLOR	
Blue	Gray
White	Black
Green	Red
Orange	Yellow
Purple	Pink

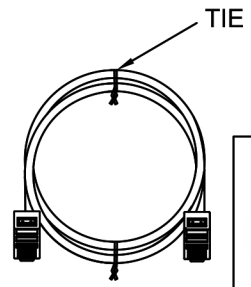


orange 1	green 2
white/orange	white/green
blue 3	brown 4
white/blue	white/brown

PINOUT		
P1	WIRE	P2
1	WHITE/ORANGE	1
2	ORANGE	2
3	WHITE/GREEN	3
4	BLUE	4
5	WHITE/BLUE	5
6	GREEN	6
7	WHITE/BROWN	7
8	BROWN	8

L (mm)	T(mm)	L (mm)	T(mm)
150	±30	3050	±30
305	±30	4270	±50
610	±30	7620	±80
910	±30	15240	±200
1524	±30	30480	±300
2130	±30		

Winding	
L(mm)	Tie(pcs)
150-305	Without Winding
610-910	1
1524-30480	2



Unless specified on the drawing, tolerances are per the follows:
 X. ±0.20 X° ±3
 .X ±0.10 .X° ±0.3
 .XX ±0.05

CUSTOMER		TITLE	Cat5e Patch Cable- No Boot	
CUST' R P/N		Parts No.	500-XX	
SCALE		CHECK		DATE
UNIT	mm	APPROVED		SHEET

②	PLUG	8P8C G/F RJ45			2
①	CABLE	CAT.5E UTP 24AWG*4P PVC			1
No.	TITLE	DESCRIPTION			Q' TY
	Material	Part Number	Note	<input checked="" type="checkbox"/> RoHS <input type="checkbox"/> Reach <input type="checkbox"/> GP <input type="checkbox"/> HF <input type="checkbox"/> Other	Department