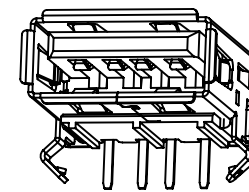


SECTION A-A



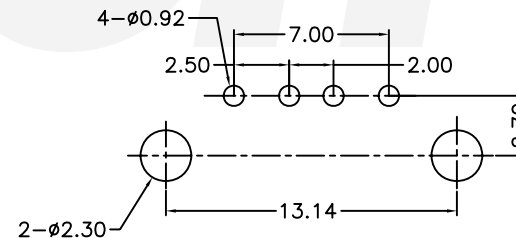
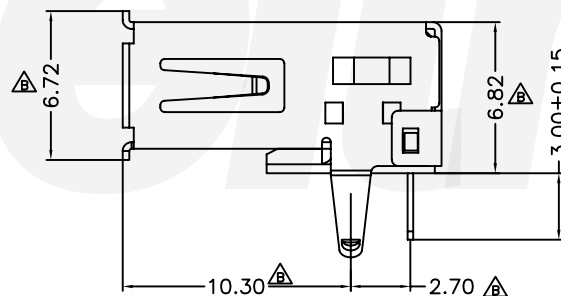
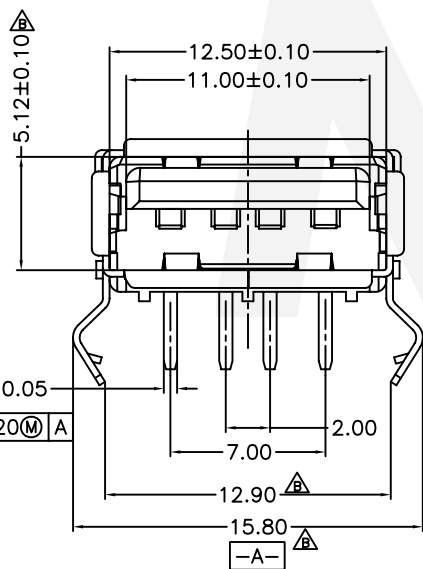
Specifications:

Current Rating:1.0A AC/DC  
 Voltage Rating:30V AC/DC  
 Contact Resistance:20m ohm. Max.  
 Insulation Resistance:1,000M ohm. min.  
 Withstanding Voltage:750V AC For One Minute  
 Operating Temperature Range:-40°C ~ +105°C  
 Material and Finish  
 Insulator:PBT (UL94V-0)  
 Insulator Color:Black  
 Contact:Phosphor Bronze  
 Plating:Gold Plated on Contact Area,  
 Tin Plated on Solder Tail.  
 Shell:Brass,Nickel Plated

How To Order

5075AR-04-XX-XX

Standard Selective Plated  
 15:Selective Gold Plated 15u”  
 30:Selective Gold Plated 30u”  
 BK:Black  
 WH:White



PCB LAYOUT  
 TOLERANCE:±0.10

RoHS Compliant

REV	DATE	FILE	BY
A	02-Aug-2004	(PC0001)	Jeremy Liu
A	14-Sep-2006	ECN-CN060906	Wendy
B	01-Aug-2008	ECN-CN080801	Leo

DRAWN:  
Jeremy Liu

CHECKED:  
Jerry Chen

APPROVAL:  
Mike Wu

GENERAL TOLERANCE:  
 .X=±0.20  
 .XX=±0.15

UNIT: MM  
 SCALE:1:1  
 SHEET: 1 / 1  
 PROJECTION:



繼德工業股份有限公司  
**Neltron Industrial Co., Ltd.**

DESCRIPTION:  
USB A Type PCB Socket Right Angle

PART NO:  
5075AR-04-XX-XX

SIZE  
**A4**