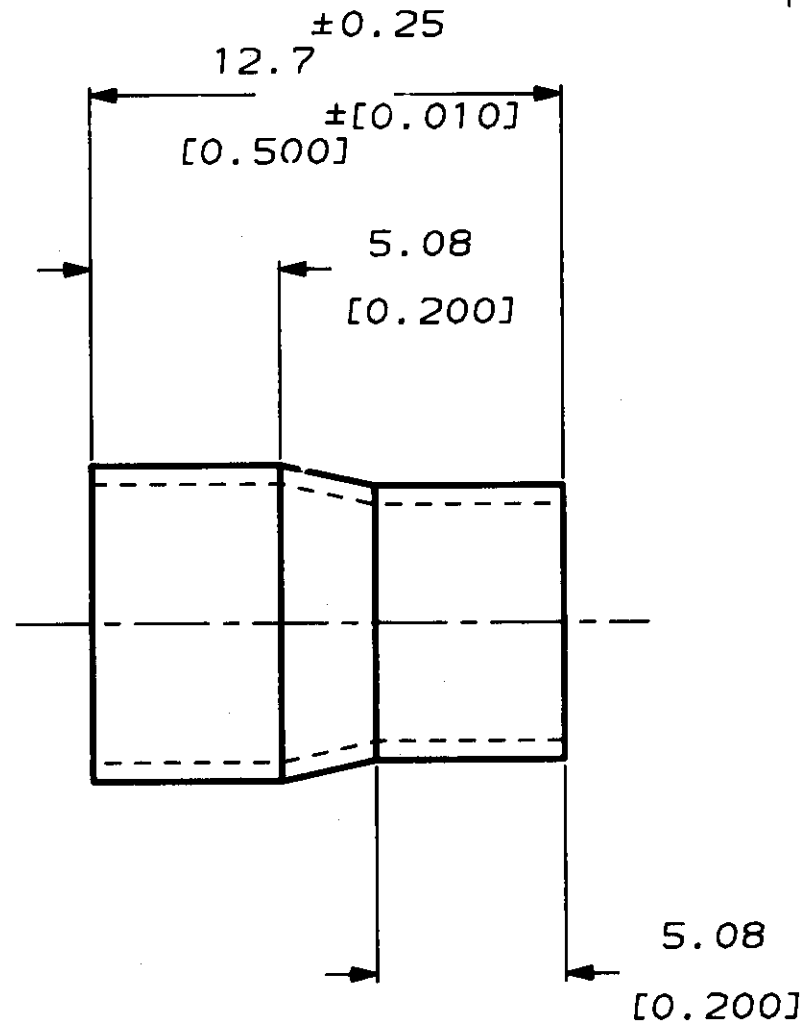
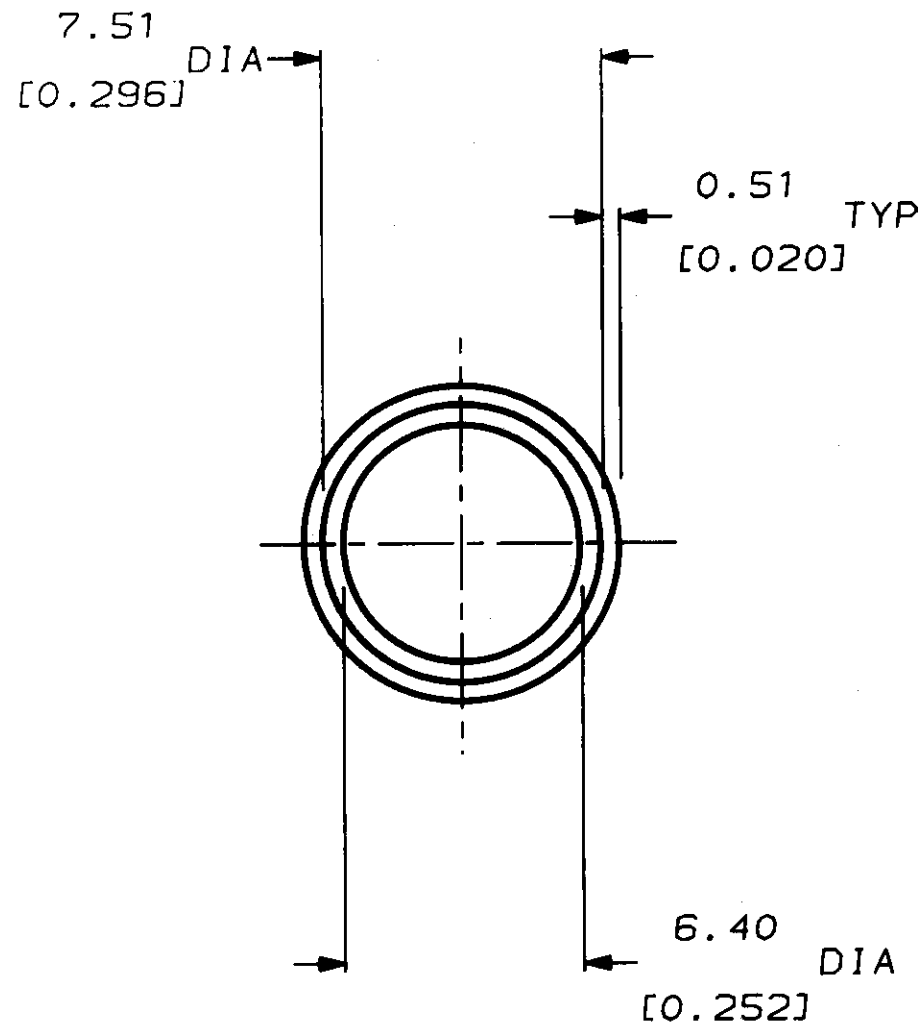


THIS DRAWING IS UNPUBLISHED. RELEASED FOR PUBLICATION, 19

© COPYRIGHT 19 BY AMP INCORPORATED, HARRISBURG, PA. ALL INTERNATIONAL RIGHTS RESERVED. AMP PRODUCTS MAY BE COVERED BY U.S. AND FOREIGN PATENTS AND/OR PATENTS PENDING.

1 LCL BD DIST 50

REVISIONS						
P	F	ZONE	LTR	DESCRIPTION	DATE	APPROVED
			A	REVISED PER AF0305	4/23/84	SS
			B	REVISED PER AF0372	7/22/84	SS
1	✓		C	RELEASED PER P.A.R.	8/28/84	SS
			D	REV PER AF 4-4	12/8/84	dr



- 1 DIMENSIONS IN BRACKETS ARE IN INCHES
- 2 INSULATION RANGE: 6.25-5.13 [0.246-0.202]

520437-1

PART NO

UNLESS OTHERWISE SPECIFIED DIMENSIONS ARE IN DECIMALS INCHES TO FRANCES ON, DECIMALS ± 0.00 [0.013] ANGLES ±

MATERIAL  
COPPER

FINISH  
BRIGHT TIN

CONTRACT NO

DR *J. Schaff* 4/2/84

CHK *G. Yelton* 4/12/84

APPD *Jim Poutin* 1/8/84

APPD *C. Rohde* 8-30-84

DSGN APPD

OTHER APPD

**AMP**

AMP INCORPORATED  
Harrisburg, Pa.

NAME

SDL FERRULE STYLE B  
(8 POSITION)

SIZE

**B**

FSCM NO

00779

DRAWING NO

520437

SCALE

SHEET