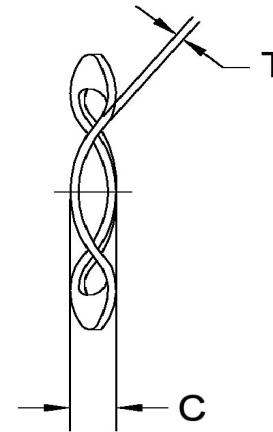
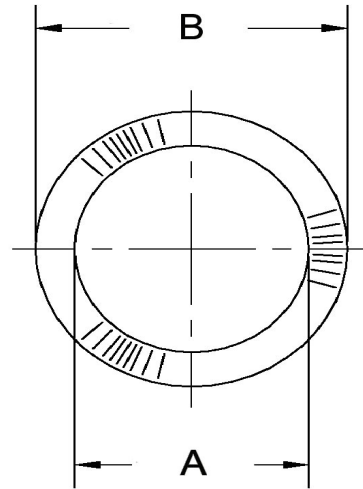


A+/-0.01	B+/-0.01	C+/-0.01	T+/-0.0008	# OF WAVES	Max Load (LBS)†	Max Deflection (IN.)†	Spring Rate (LBS/IN.)†
0.190	0.281	0.030	0.010	3	13.488	0.004	3508



†Calculated value, not tested, not guaranteed



SEASTROM MANUFACTURING CO., INC.  
 456 SEASTROM STREET  
 TWIN FALLS, IDAHO 83301  
 (208) 737-4300 FAX (208) 734-7222

ALL INFORMATION  
 COPYRIGHTED BY  
 SEASTROM MFG. ©

**PART NO.:** 5806-98-2-Z3

**PART NAME:** Washers, Spring, Multiple Wave

**MATERIAL:** Spring Steel

**HEAT TREAT:** Please refer to Material & Finish Specifications in Engineering Resources

**FINISH:** Zinc Type III

Dimensions in Inches