

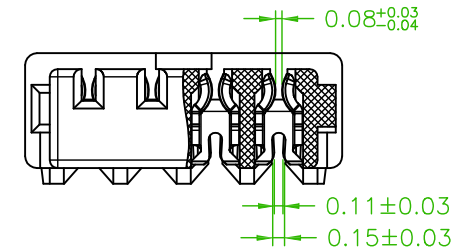
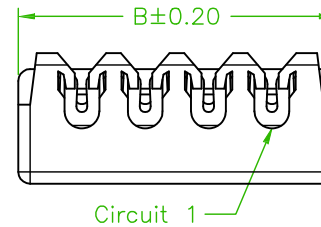
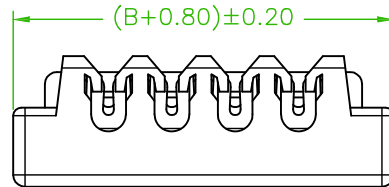
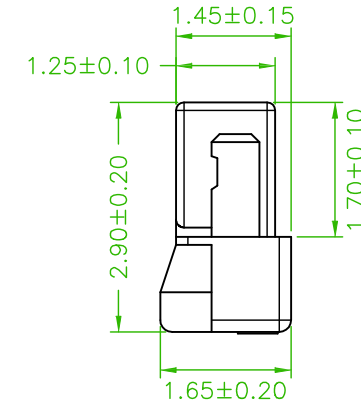
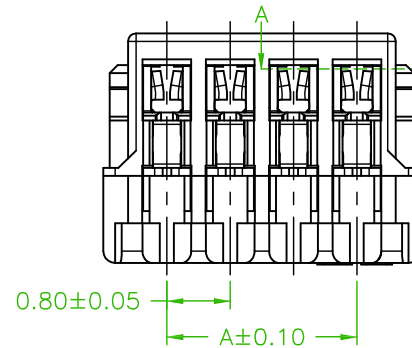
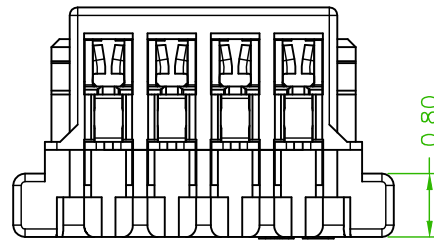
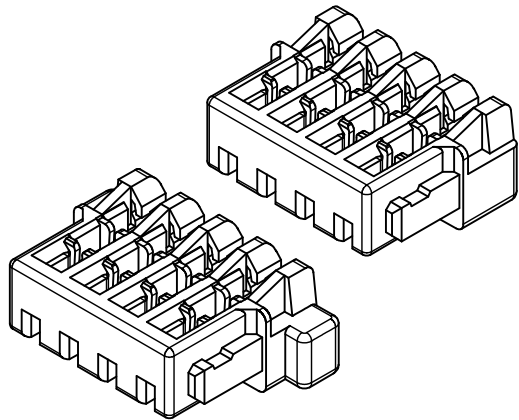
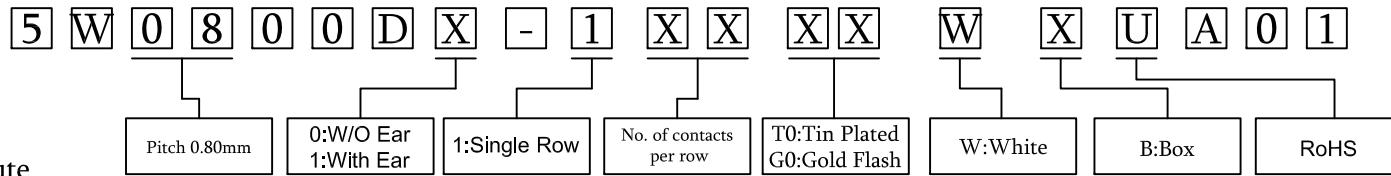
### SPECIFICATIONS

Current Rating: 0.5A AC,DC  
 Voltage Rating: 30V AC,DC  
 Temperature Range: -25°C ~ +85°C  
 Contact Resistance: 20mΩ Max  
 Insulation Resistance: 100MΩ Min  
 Withstanding Voltage: 200V AC/minute

### MATERIAL

Contact: Phosphor Bronze  
 Material: Nylon 46,UL94V-0  
 Applicable Wire :AWG#32  
 Insulation O.D: 0.38mm

### ORDER INFORMATION



Circuit No.	Dimensions		Circuit No.	Dimensions	
	A	B		A	B
02P	0.80	2.40	10P	7.20	8.80
03P	1.60	3.20	11P	8.00	9.60
04P	2.40	4.00	12P	8.80	10.40
05P	3.20	4.80	14P	10.40	12.00
06P	4.00	5.60	15P	11.20	12.80
07P	4.80	6.40	16P	12.00	13.60
08P	5.60	7.20	17P	12.80	14.40
09P	6.40	8.00	20P	15.20	16.80


1:With Ear

0:W/O Ear

SECTION A-A

Old Part No.:0800IDC-XXTW-U

REV.	ECN NO. OR DESCRIPTION	REVISED	DATE

 糧德精密有限公司 Amtek Technology Co., Ltd. TEL: 886-2-2260-6878 FAX: 886-2-2260-8030	品名 TITLE	0.8mm HOUSING IDC TYPE			頁數 Page	1/1
	品號 PART NO.	5W0800DX-1XXXXWXUA01			繪圖 DRAWN	Eloise 2016/11/28
	圖號 DRAWING NO.	GW090-JF050	版本 REV.	A	核對 CHECKED	Jonny 2016/11/28
	客戶品號 CUSTOMER P/N		比例 SCALE	None	承認 APPROVED	Aaron 2016/11/28
	公差 TOLERANCE	.X ±0.25 .XX ±0.15	單位 UNIT	mm	THIRD ANGLE PROJECTION	