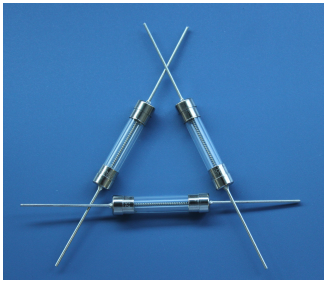
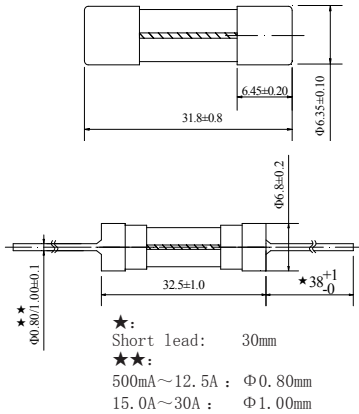


612 Time-Lag Miniature Fuse



Dimensions (unit: mm)



Main Characteristics

Cartridge miniature fuse; Time-Lag (T)

Standard

UL-248-14 (IEC 60127-2)

Materials

Tube: Glass Tube
End Caps: Nickel plated brass
Axial Leads: Nickel plated caps
Tin plated copper wires

Operating Temperature

-55°C to +125°C

Storage Conditions

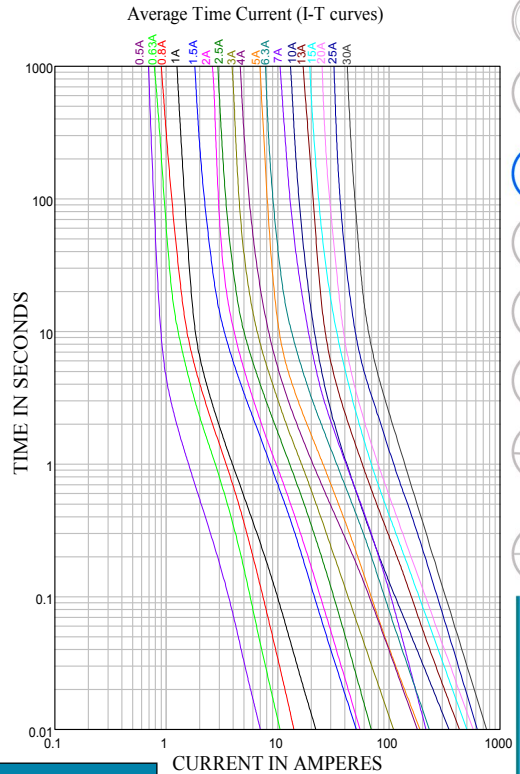
+10°C to +60°C
Relative humidity: ≤75% yearly average
Without dew, maximum 30 days at 95%

Vibration Resistance

24 cycles at 15 min. each (60068-6)
10-60Hz at 0.75mm amplitude
60-2000Hz at 10g acceleration

Soldering Parameters

260°C. ≤5 sec (Wave Soldering)
350°C. ≤3 sec (Hand Soldering)
Soldering Peak:
260°C. 10 sec. (IEC 60068-20)



Time vs Current Characteristics: UL-248-14

Rated current	100%	115%	135%	200%	210%	275%	400%	1000%
500mA~30A	>4h	/	<1h	5~60s	/	/	/	/
8A/10A(IEC)	/	>1h	/	/	<120s	600ms~10s	150ms~3s	20ms~300ms



Electrical Characteristics				Approvals					
Amp Code	Rated Current	Nominal Melting I ² t(A ² sec)	Breaking Capacity	cULus		cURus		CQC 250V	PSE 250V
				125V	250V	125V	250V		
0500	500mA	0.49	10kA/125V AC 35A/250V AC 50-60Hz Cosφ=0.7-0.8	●	●	○	○	○	○
0630	630mA	1.1		○	○	○	○	○	○
0800	800mA	1.96		●	●	○	○	○	○
1100	1.00A	4.84		●	●	○	○	○	○
1125	1.25A	6.76		○	○	○	○	○	○
1150	1.50A	26.01	10kA/125V AC 100A/250V AC 50-60Hz Cosφ=0.7-0.8	●	●	○	○	○	○
1160	1.60A	28.62		●	●	○	○	○	○
1200	2.00A	30.25		●	●	○	○	○	○
1250	2.50A	47.61		●	●	○	○	○	○
1300	3.00A	121		●	●	○	○	○	○
1315	3.15A	132	10kA/125V AC 200A/250V AC 50-60Hz Cosφ=0.7-0.8	○	○	○	○	○	○
1350	3.50A	182		○	○	○	○	○	○
1400	4.00A	324		●	●	○	○	○	○
1500	5.00A	361		●	●	○	○	○	○
1600	6.00A	462		●	●	○	○	○	○
1700	7.00A	462	400A/125V AC 200A/250V AC 50-60Hz Cosφ=0.7-0.8	●	●	○	○	○	○
1800	8.00A	676		●	●	○	○	○	○
2100	10.00A	1190		○	○	●	●	●	○
2120	12.00A	1640		○	○	●	●	○	○
2150	15.00A	2500		○	○	●	●	○	●
2160	16.00A	2601	400A/125V AC 100A/250V AC 50-60Hz	○	○	●	●	○	○
2200	20.00A	3249		○	○	●	●	○	●
2250	25.00A	7225		○	○	●	●	○	○
2300	30.00A	8081		○	○	●	●	○	○

Note: Permissible continuous operating current is ≤100% at ambient temperature of 23°C (73.4°F)

Ordering Information

Series	Amp code	Packaging Code	Qty
612			