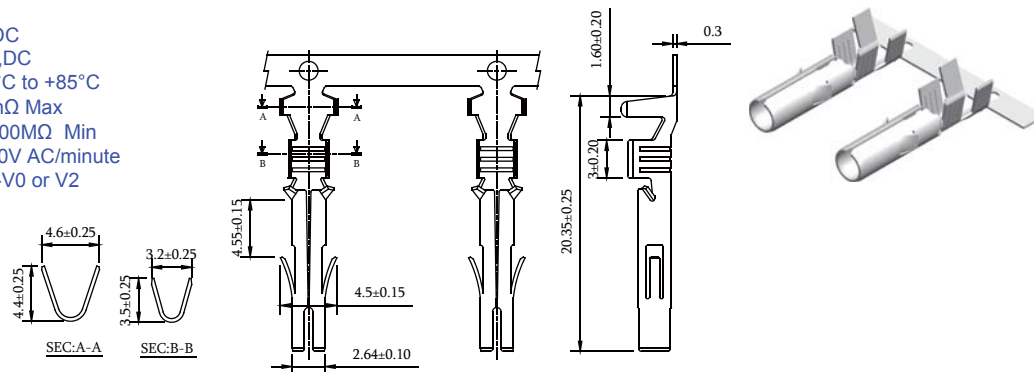


## 6.35mm Female & Male Terminal / Female & Male Housing

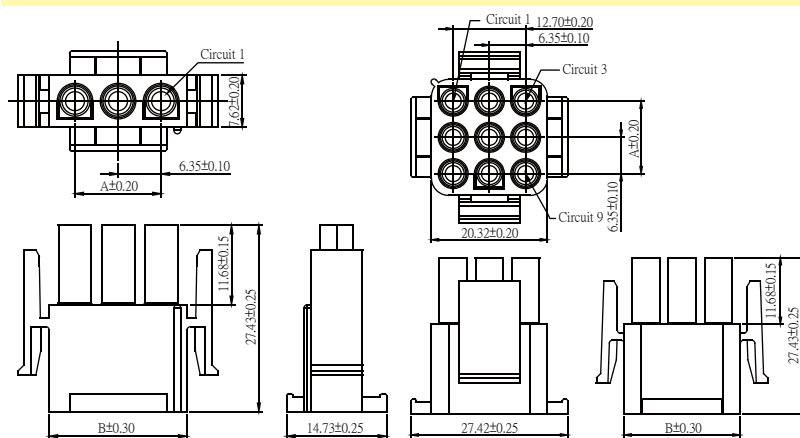
### Specifications

Current Rating: 15A AC,DC  
 Voltage Rating: 600V AC,DC  
 Temperature Range: -25°C to +85°C  
 Contact Resistance: 3.5mΩ Max  
 Insulation Resistance: 1000MΩ Min  
 Withstanding Voltage: 500V AC/minute  
 Material: Nylon 66, UL94-V0 or V2



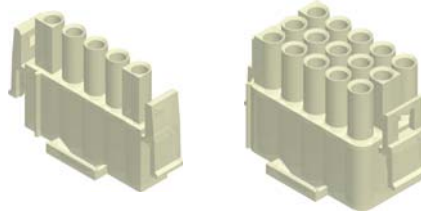
Wire Range	Insulation O.D.	Material	Finish
#14-#20	3.30mm(Max)	Brass	Tin Plated

**Part No.:6350-FT-L**



6350H-M1XXW-L

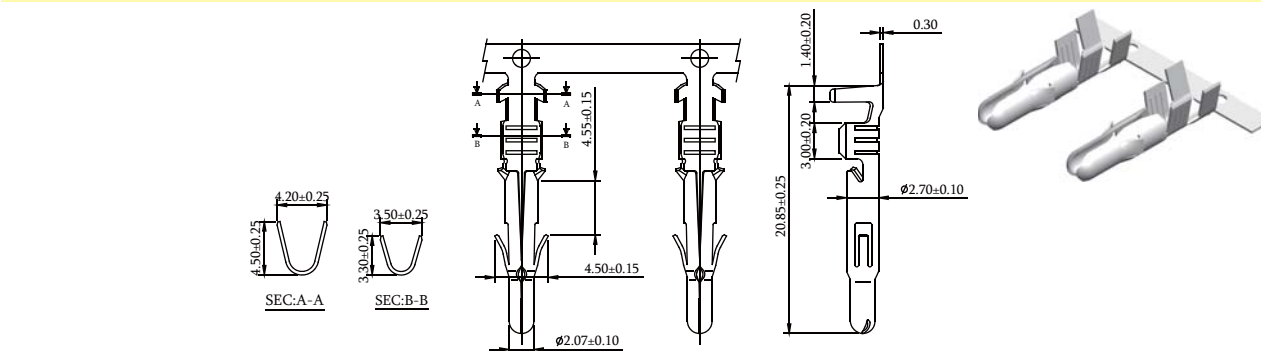
6350H-M3XXW-L



Part No.	Dimensions	
	A	B
6350H-M102W-L	6.35	13.97
6350H-M103W-L	12.70	20.32
6350H-M104W-L	19.05	26.67
6350H-M105W-L	25.40	33.02
6350H-M106W-L	31.75	39.37
6350H-M108W-L	44.45	52.07

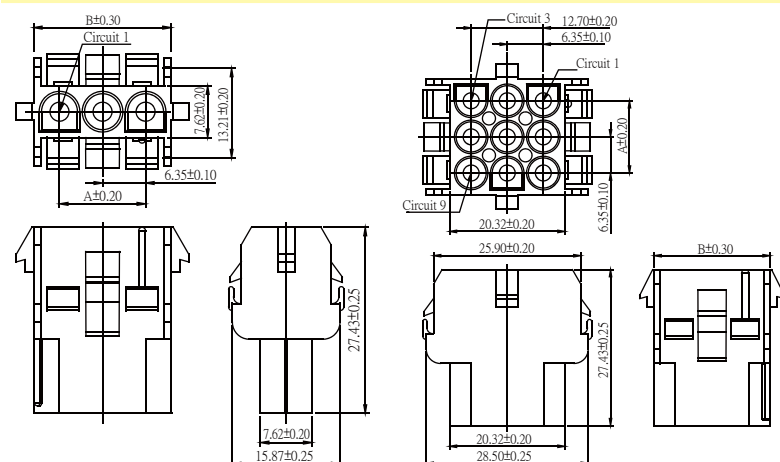
Part No.	Dimensions	
	A	B
6350H-M302W-L	6.35	13.97
6350H-M303W-L	12.70	20.32
6350H-M304W-L	19.05	26.67
6350H-M305W-L	25.40	33.02

**Part No.:6350H-MXXXW-L**



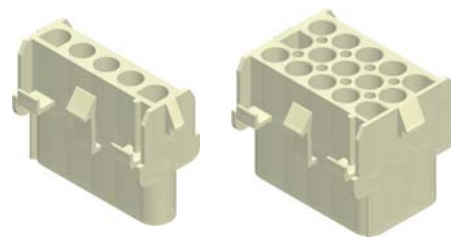
Wire Range	Insulation O.D.	Material	Finish
#14-#20	3.30mm(Max)	Brass	Tin Plated

**Part No.:6350-MT-L**



6350H-F1XXW-L

6350H-F3XXW-L



Part No.	Dimensions	
	A	B
6350H-F102W-L	6.35	13.97
6350H-F103W-L	12.70	20.32
6350H-F104W-L	19.05	26.67
6350H-F105W-L	25.40	33.02
6350H-F106W-L	31.75	39.37
6350H-F108W-L	44.45	52.07

Part No.	Dimensions	
	A	B
6350H-F302W-L	6.35	14.05
6350H-F303W-L	12.70	20.40
6350H-F304W-L	19.05	26.75
6350H-F305W-L	25.40	33.10

**Part No.:6350H-FXXXW-L**