

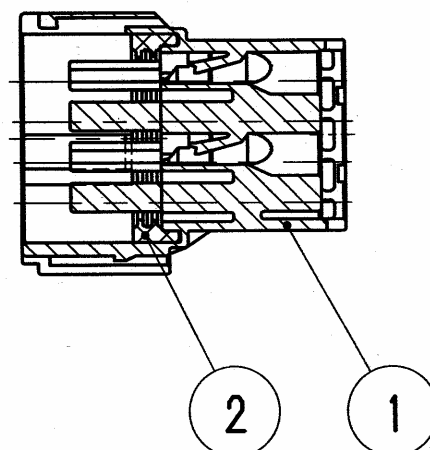
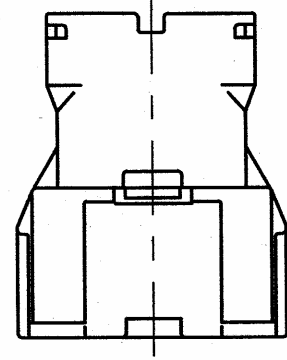
1

2

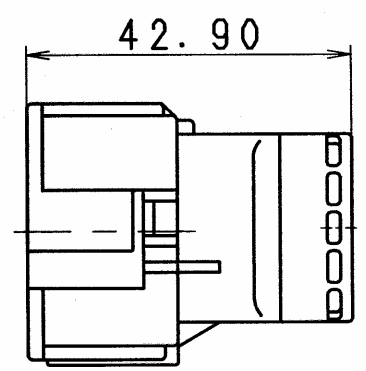
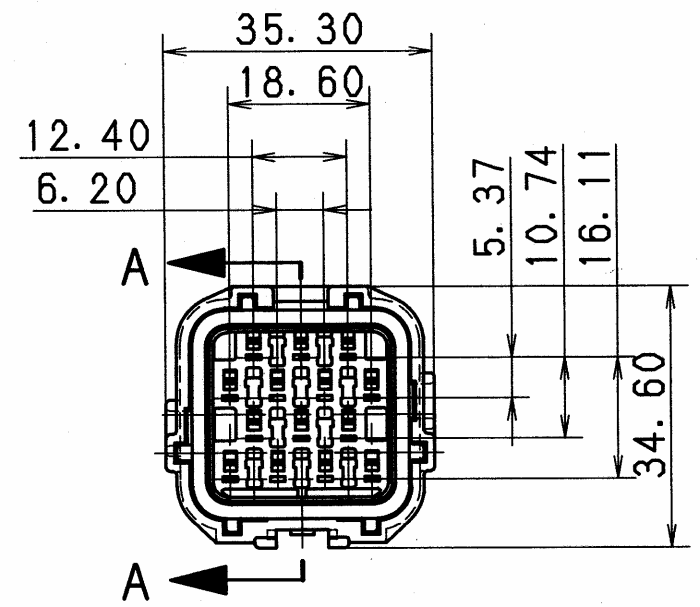
3

TABLE 1	SUB ASSEMBLY PART NO. AND CH. CODE	NO.	PART NO. AND CH. CODE	MATERIAL	COLOR	QTY.
7222-7544-40 ETC.		①	SEE TABLE 2	PBT	SEE TABLE 2	1
		②	7137-1555-80	SILICONE RUBBER	RED-IRON	1

TABLE 2	SUB ASSEMBLY PART NO. AND CH. CODE	PART NO. AND CH. CODE	COLOR
	7222-7544-30	7122-7544-30	BLACK
	7222-7544-40	7122-7544-40	GRAY



SEC. A-A



△ 注記

1. 嵌合相手品番 : 7123-7544-40 ETC.

△ NOTE

1. MATING PART NO. : 7123-7544-40 ETC.

ISSUE MARK

					CUSTOMER		MATL. SPEC.		TREAT. & FIN.	
					CUSTOMER PART NO.		SEE TABLE 1			
					CUSTOMER DWG NO.		NAME		SWP-TYPE CONNECTOR HOUSING	
△ 05/04/20 ADDED GENERAL TOLERANCE, ETC. C05-Z670 E. S					OFFICE		TRIAL PART NO.		14P M SUB ASSEMBLY	
△ 93/12/20 CHANGED FORM & RENEW C93-L829 K. S					VENDOR		PART NO.		7222-7544-40 ETC.	
LET	DATE	REVISION RECORD	NO.	CHKD	VENDOR NO.		CH. CODE		DWG NO.	
△ GENERAL TOLERANCE					DWG TYPE		SCL		SET DWG NO.	
	10MAX	50MAX	100MAX	250MAX	250OVR	ANGLE	ECCENT	DWG DATE	UNIT	ANGLE
A	±0.15	±0.2	±0.3	±0.5	±0.75	±30'	0.1	93/12/20	mm	4:1
B	±0.2	±0.3	±0.55	±0.95	±1.4	±30'	0.1	DESIGN	DRAWN	
◎	±0.3	±0.5	±0.8	±1.4	±2	±30'	0.15	YAMADA	A. GELVERO	
SPECIFIED					MASS		APPROVED		YAZAKI CORPORATION	
					g		CHECKED			
							CHECKED			
							DESIGN			
							DRAWN			
							YAMADA			
							A. GELVERO			
							KOMPEI GALIZA			
							88/02/02			
							05/04/20			

1

2

3

