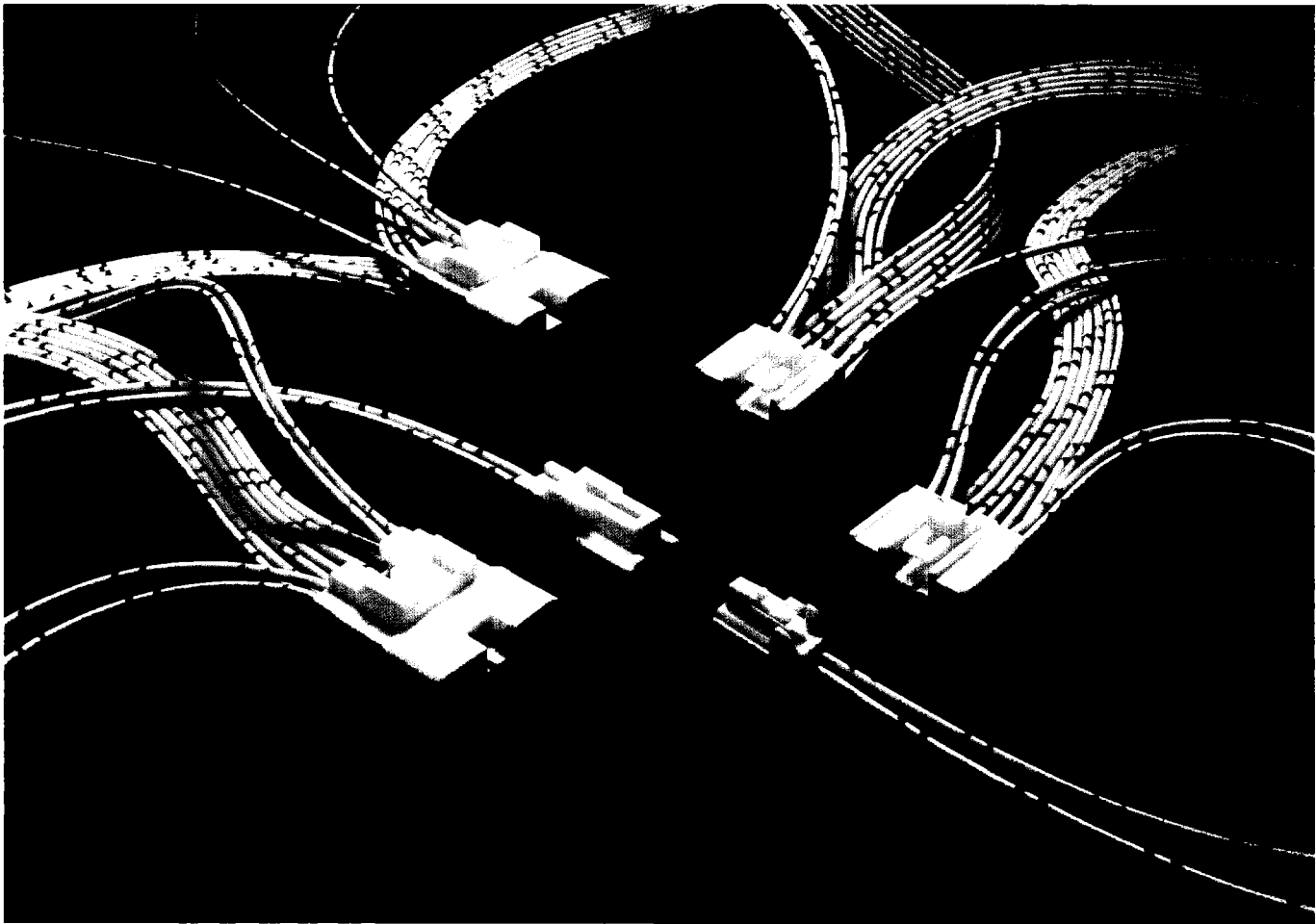


090-II CONNECTOR



090-II CONNECTOR

IMPROVED DESIGN OF THE 090 SIZE CONNECTOR FOR HIGHER RELIABILITY.

THE BLADE WIDTH OF THE MALE TERMINAL FOR THIS CONNECTOR IS 0.090 INCHES.

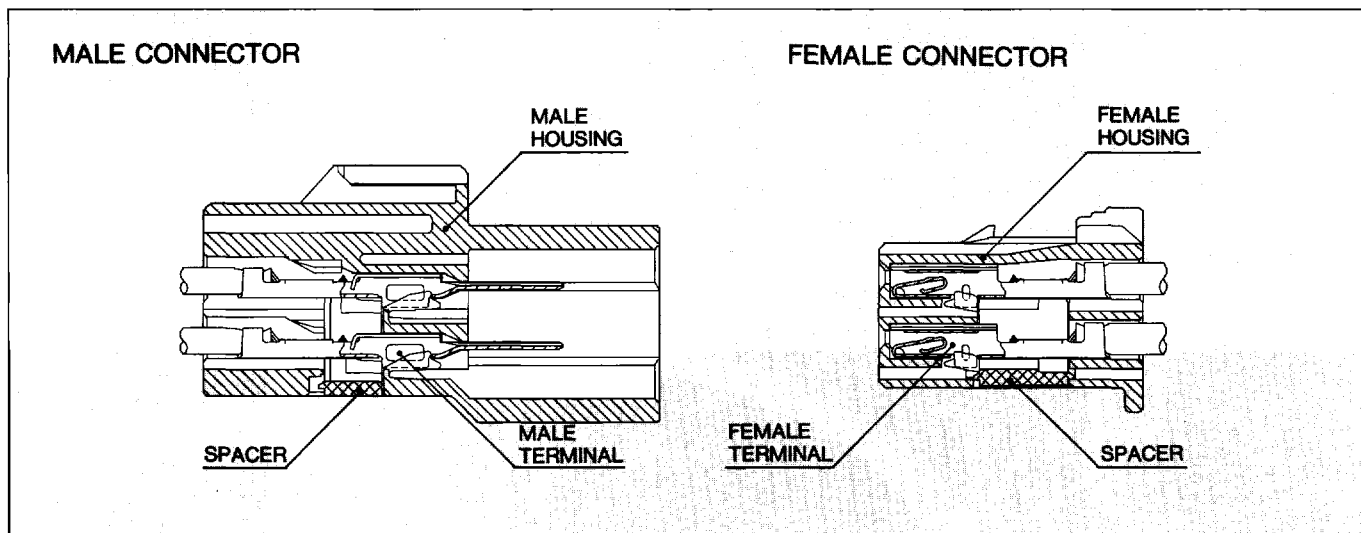
(DISTINCTIVE FEATURES)

1. DOUBLE TERMINAL LOCKING SYSTEM ELIMINATES TERMINAL PUSH-OUT.

(HOUSING LANCE, SIDE LOCK).

2. CONNECTORS CANNOT BE MATED IF PRESET TERMINAL SPACER IS NOT IN THE FULL-LOCK POSITION.

CONSTRUCTION



SPECIFICATIONS

MATERIAL	HOUSING	PBT
	MALE TERMINAL	BRASS (TIN PLATING)
	FEMALE TERMINAL	BRASS (TIN PLATING), COPPER ALLOY (TIN PLATING)
*CURRENT CAPACITY (REFERENCE)		10A
RESISTANCE AT LOW VOLTAGE		3mΩ MAX. (INITIAL VALUE)
INSULATION RESISTANCE		DC500V 100MΩ MIN.
DIELECTRIC STRENGTH		AC1000V (1 min.)

*CURRENT CAPACITY WILL BE AFFECTED BY CONDITIONS SUCH AS POLE QUANTITY, WIRE SIZE, AMBIENT TEMPERATURE, ETC.

PART NUMBER CHART

PART NAME	MALE TERMINAL	FEMALE TERMINAL
TERMINAL	7114-4020	7116-4020
	7114-4021	7116-4021
	7114-4022	7116-4022

PART NAME	POLES	MALE CONNECTOR	FEMALE CONNECTOR
HOUSING	1	—	7283-1011
	1	7282-1010	7283-1010
	1	7282-1012	7283-1010
	1	7282-1014	7283-1010
	2	—	7283-1021
	2	7282-1020	7283-1020
	2	7282-1022	7283-1020
	2	7282-1027	7283-1027
	2	7282-1028	7283-1028
	2	7282-8823	7283-1020
	2	7282-8824	7283-1020
	2	7282-8922	7283-8922
	3	—	7283-1132
	3	7282-1030	7283-1030
	3	7282-1138	7283-1138
	6	—	7283-1061

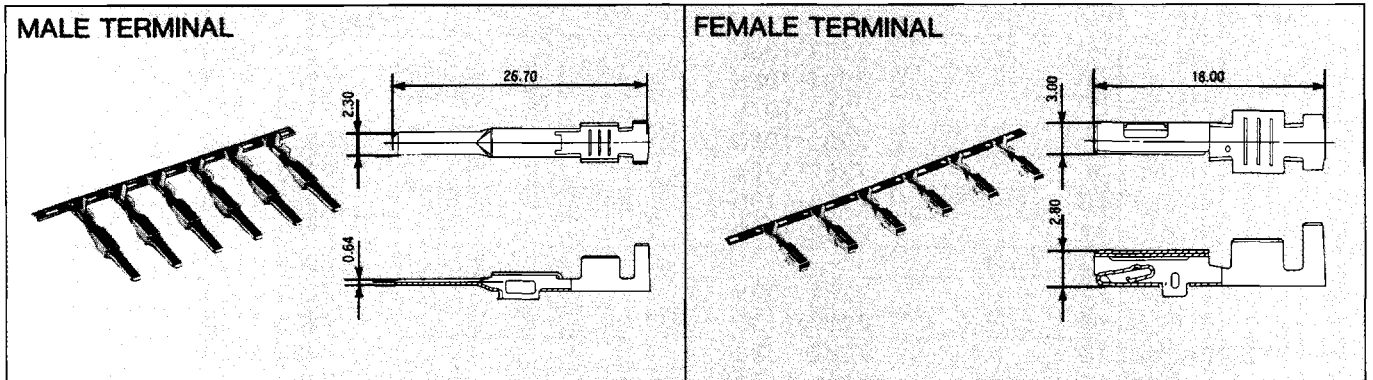
WHILE NATURAL COLOR IS THE STANDARD, OTHER COLORS ARE ALSO AVAILABLE AT YOUR REQUEST.

PART NAME	POLES	MALE CONNECTOR	FEMALE CONNECTOR
HOUSING	6	7282-1060	7283-1060
	6	7282-1068	7283-1068
	7	7282-1071	7283-1071
	8	7282-1080	7283-1080
	8	7282-1284	7283-1284
	10	7282-1100	7283-1100
	11	7282-1110	7283-1110
	12	—————	7283-1127
	12	7282-4325	7283-4325
	13	7282-1130	7283-1130
	13	7282-1530	7283-1130
	15	7282-1150	7283-1150
	15	7282-1152	7283-1152
	15	7282-1153-90	7283-1152-90
	16	7282-1160	7283-1160
	18	7282-1180	7283-1180
	20	7282-1200	7283-1200
	22	—————	7283-8229
	22	7282-1222	7283-1222
	25	7282-1154	7283-1154
25	7282-1154	7283-1154-90	

THESE PART NUMBERS ARE STANDARD PART NUMBERS. PLEASE ASK ABOUT COLOR OF CONNECTOR.

TERMINAL

UNIT : mm



■ SPECIFICATIONS

PART NAME	PART NUMBER	MATERIAL	TREATMENT	MATERIAL THICKNESS
MALE TERMINAL	7114-4020	BRASS	TIN PLATING	t=0.3
	7114-4021			
	7114-4022			
FEMALE TERMINAL	7116-4020	BRASS	TIN PLATING	t=0.25
	7116-4021	COPPER ALLOY		
	7116-4022			


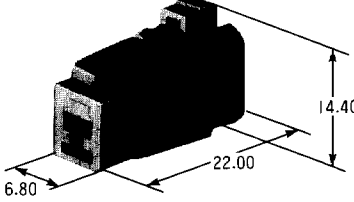
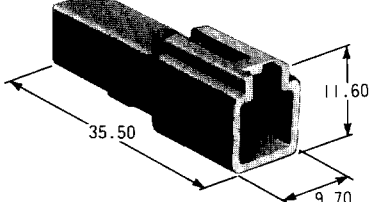
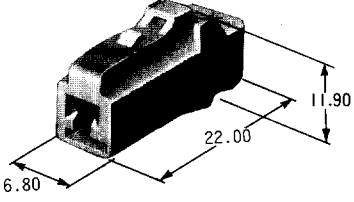
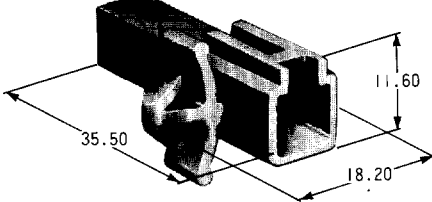
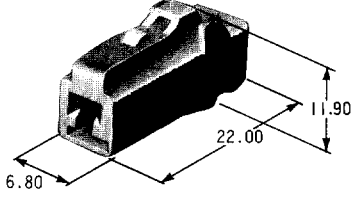
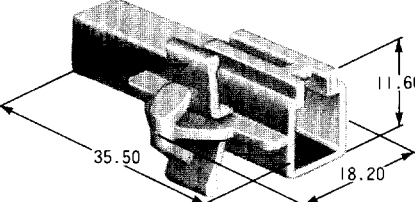
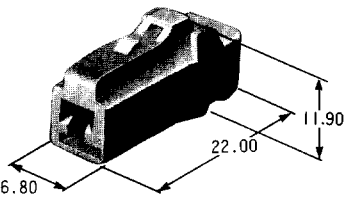

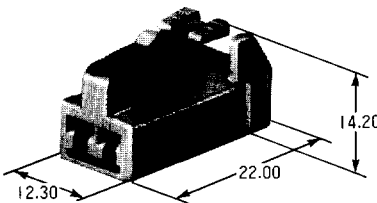
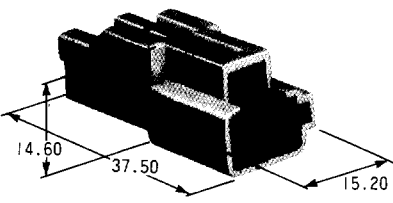
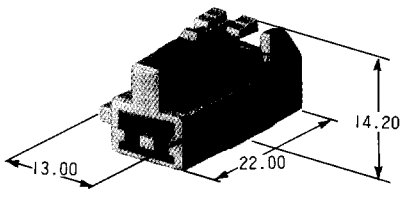
● APPLICABLE WIRE CHART

PART NAME	WIRE SIZE (mm ²)	WIRE TYPE	PART NUMBER
MALE TERMINAL	0.3	AVS	7114-4020
		CAVS	7114-4020
	0.5	AVS	7114-4020
		CAVS	7114-4021
		CAVS	7114-4021
	0.85	AVS	7114-4021
		CAVS	7114-4021
	1.25	AVS	7114-4021
		CAVS	7114-4021
	2f	AVSS	7114-4022
FEMALE TERMINAL	0.3	AVS	7116-4020
		CAVS	7116-4020
	0.5	AVS	7116-4020
		CAVS	7116-4021
		CAVS	7116-4021
	0.85	AVS	7116-4021
		CAVS	7116-4021
	1.25	AVS	7116-4021
		CAVS	7116-4021
	2f	AVSS	7116-4022

HOUSING MATERIAL: PBT

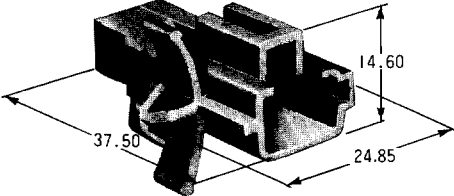
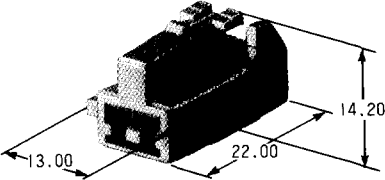
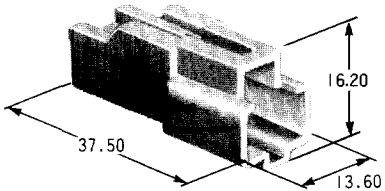
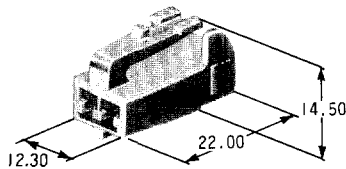
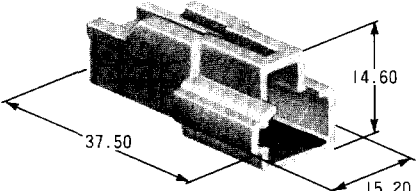
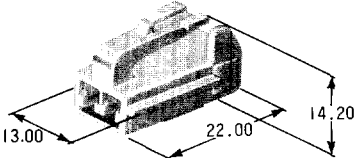
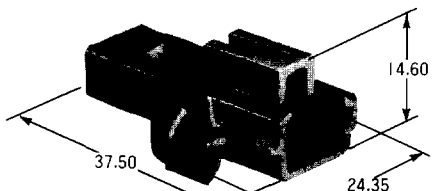
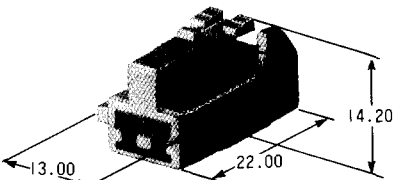
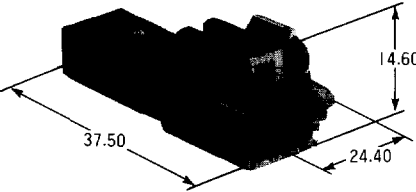
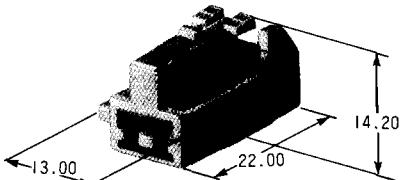
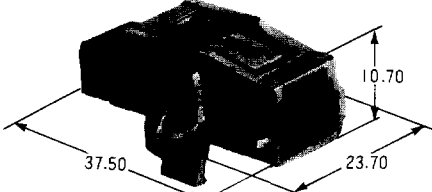
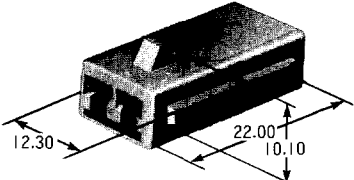
(CHANGING FROM PBT TO HPA)

UNIT: mm

POLES	MALE HOUSING	FEMALE HOUSING
1		 <p data-bbox="1116 609 1270 638">7283-1011</p>
1	 <p data-bbox="489 898 643 927">7282-1010</p>	 <p data-bbox="1116 898 1270 927">7283-1010</p>
1	 <p data-bbox="489 1182 643 1211">7282-1012</p>	 <p data-bbox="1116 1189 1270 1218">7283-1010</p>
1	 <p data-bbox="489 1469 643 1498">7282-1014</p>	 <p data-bbox="1116 1469 1270 1498">7283-1010</p>
2		 <p data-bbox="1093 1760 1493 1792">7283-1021 (MATL: NYLON66)</p>
2	 <p data-bbox="489 2040 643 2069">7282-1020</p>	 <p data-bbox="1116 2040 1270 2069">7283-1020</p>


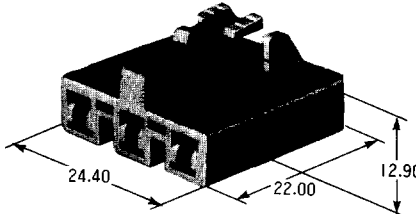
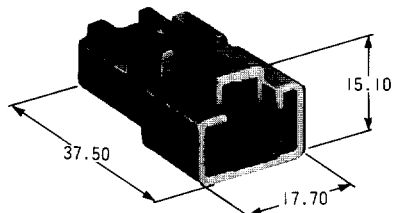
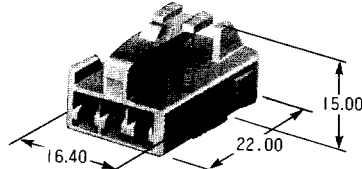
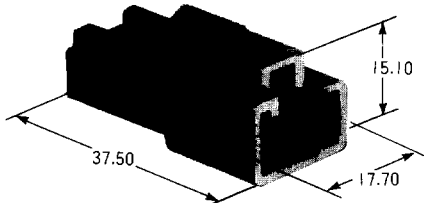
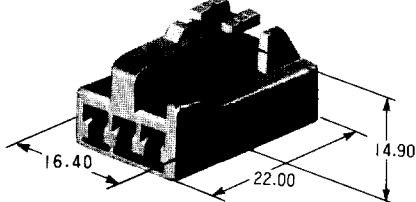

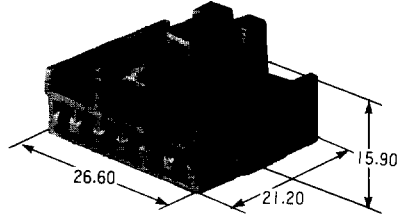

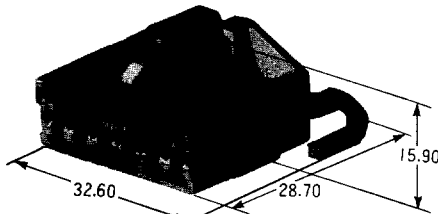
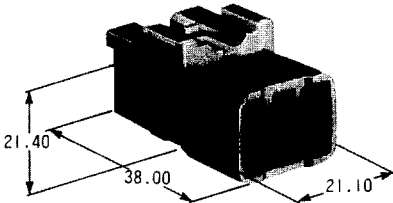
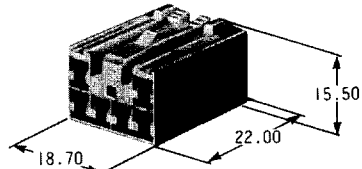
HOUSING MATERIAL: PBT (CHANGING FROM PBT TO HPA)

UNIT:mm

POLES	MALE HOUSING	FEMALE HOUSING
2	 <p>7282-1022</p>	 <p>7283-1020</p>
2	 <p>7282-1027</p>	 <p>7283-1027</p>
2	 <p>7282-1028</p>	 <p>7283-1028</p>
2	 <p>7282-8823</p>	 <p>7283-1020</p>
2	 <p>7282-8824</p>	 <p>7283-1020</p>
2	 <p>7282-8922</p>	 <p>7283-8922</p>

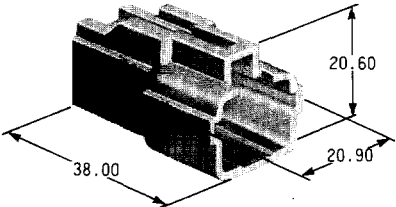
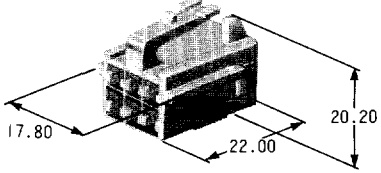
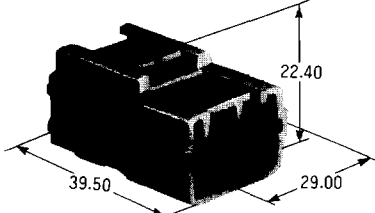
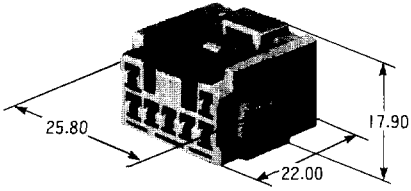
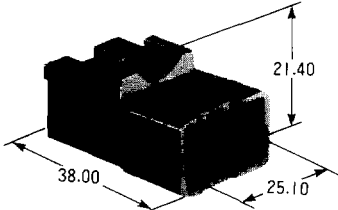
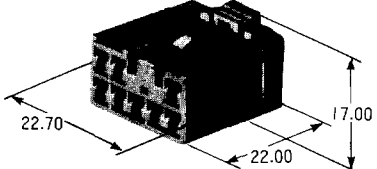
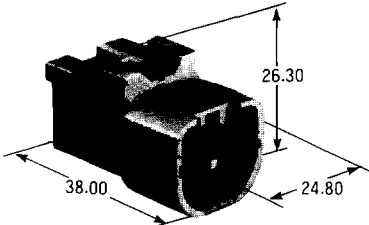
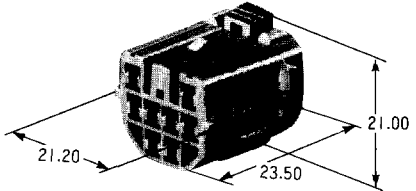
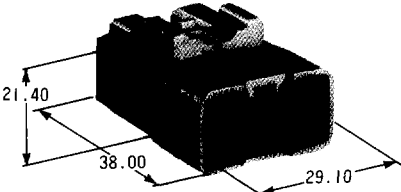
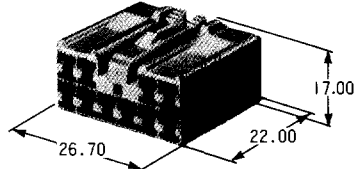
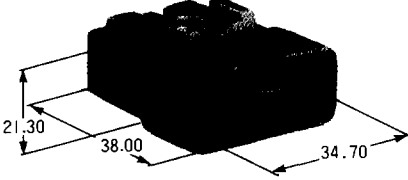
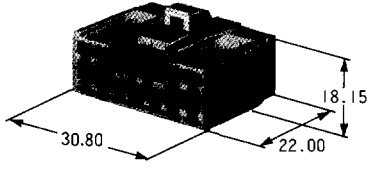
HOUSING MATERIAL: PBT (CHANGING FROM PBT TO HPA)

UNIT: mm

POLES	MALE HOUSING	FEMALE HOUSING
3		 <p data-bbox="1108 604 1270 638">7283-1132</p>
3	 <p data-bbox="485 896 646 929">7282-1030</p>	 <p data-bbox="1108 896 1270 929">7283-1030</p>
3	 <p data-bbox="485 1176 646 1209">7282-1138</p>	 <p data-bbox="1108 1176 1270 1209">7283-1138</p>
6		 <p data-bbox="1108 1467 1270 1500">7283-1061</p>
6		 <p data-bbox="1108 1747 1270 1780">7283-1062</p>
6	 <p data-bbox="485 2038 646 2072">7282-1060</p>	 <p data-bbox="1108 2038 1270 2072">7283-1060</p>

HOUSING MATERIAL: PBT (CHANGING FROM PBT TO HPA)


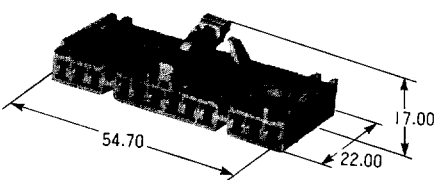
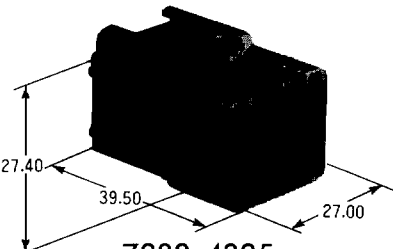
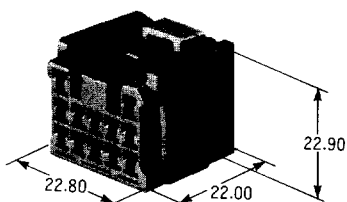
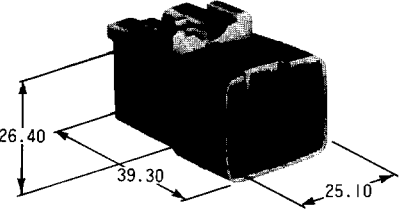
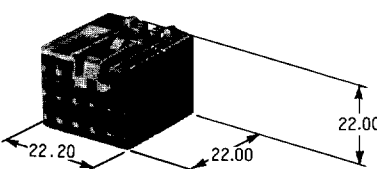
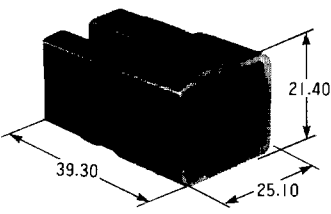
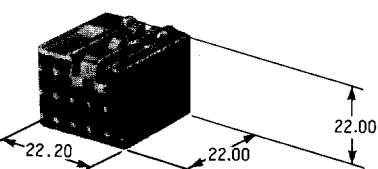
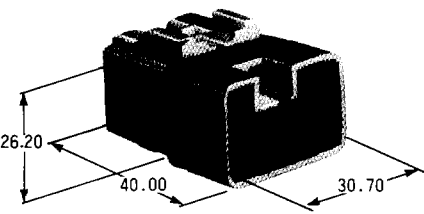
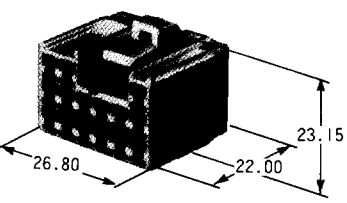
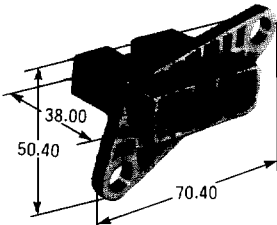
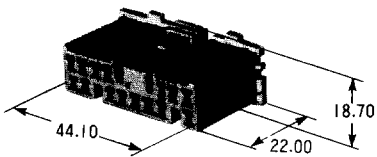
UNIT: mm

POLES	MALE HOUSING	FEMALE HOUSING
6	 <p>7282-1068</p>	 <p>7283-1068</p>
7	 <p>7282-1071</p>	 <p>7283-1071</p>
8	 <p>7282-1080</p>	 <p>7283-1080</p>
8	 <p>7282-1284</p>	 <p>7283-1284</p>
10	 <p>7282-1100</p>	 <p>7283-1100</p>
11	 <p>7282-1110</p>	 <p>7283-1110</p>

HOUSING MATERIAL: PBT

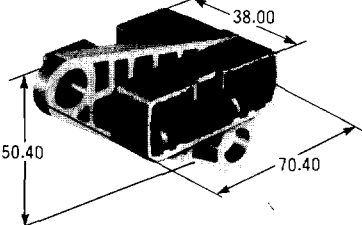
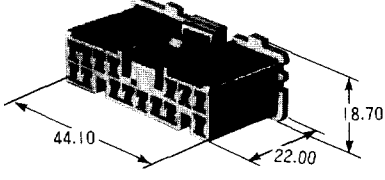
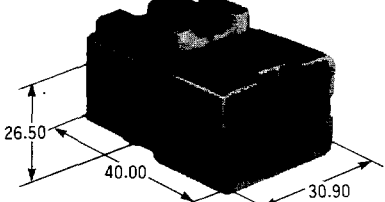
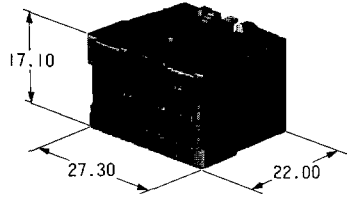
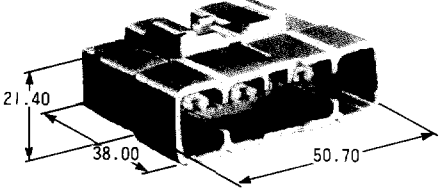
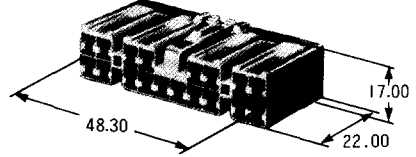
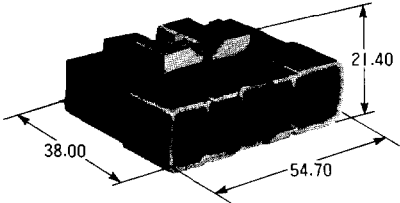
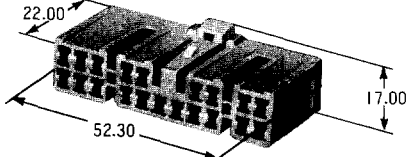
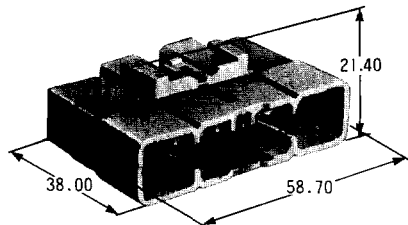
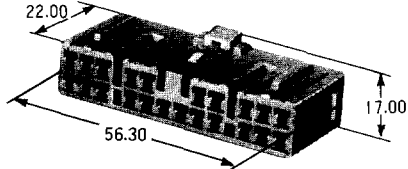
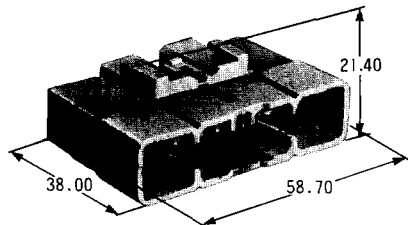
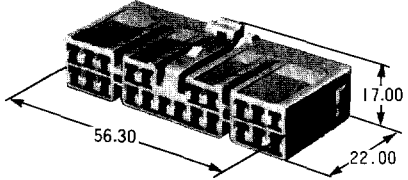
(CHANGING FROM PBT TO HPA)

UNIT: mm

POLES	MALE HOUSING	FEMALE HOUSING
12	 7282-4325	 7283-1127
12	 7282-4325	 7283-4325
13	 7282-1130	 7283-1130
13	 7282-1530	 7283-1130
15	 7282-1150	 7283-1150
15	 7282-1152	 7283-1152

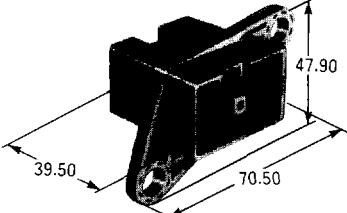
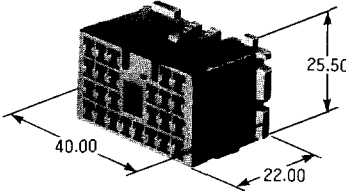
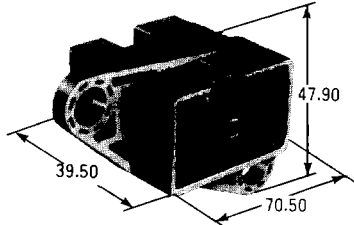
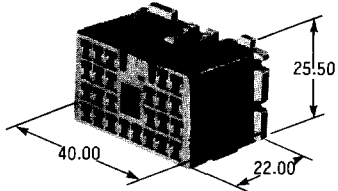
HOUSING MATERIAL: PBT (CHANGING FROM PBT TO HPA)

UNIT: mm

POLES	MALE HOUSING	FEMALE HOUSING
15	 <p>7282-1153-90</p>	 <p>7283-1152-90</p>
16	 <p>7282-1160</p>	 <p>7283-1160</p>
18	 <p>7282-1180</p>	 <p>7283-1180</p>
20	 <p>7282-1200</p>	 <p>7283-1200</p>
22	 <p>7282-1222</p>	 <p>7283-8229</p>
22	 <p>7282-1222</p>	 <p>7283-1222</p>

HOUSING MATERIAL: PBT (CHANGING FROM PBT TO HPA)

UNIT: mm

POLES	MALE HOUSING	FEMALE HOUSING
25	 <p>7282-1154</p>	 <p>7283-1154</p>
25	 <p>7282-1155-90</p>	 <p>7283-1154-90</p>