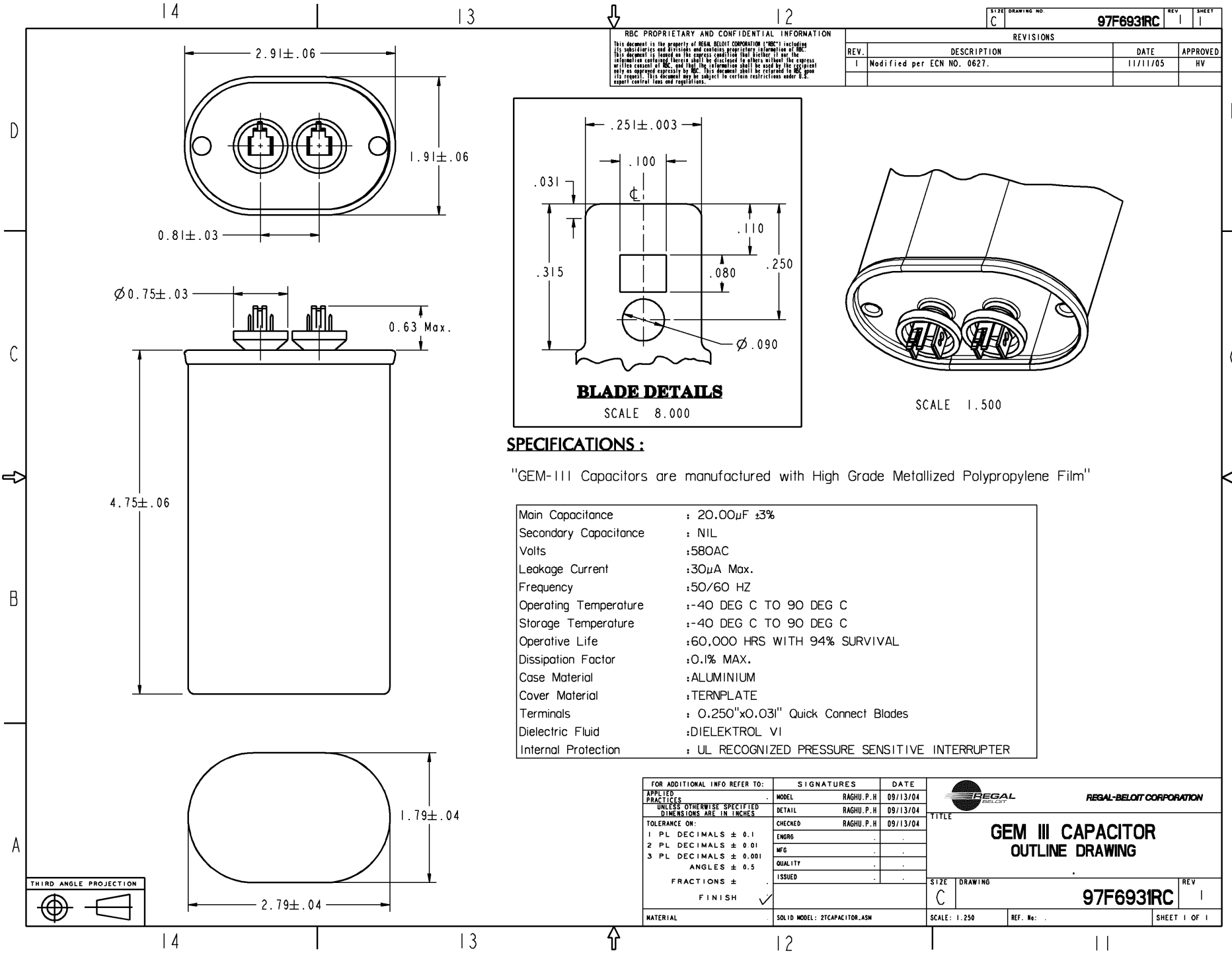


NAME: 501221413 OBJECT: 2T_CAPACITOR_ASM DATE: 18-Nov-05 20:16:24



SIZE	DRAWING NO.	REV	SHEET
C	97F693IRC	1	1
REVISIONS			
REV.	DESCRIPTION	DATE	APPROVED
1	Modified per ECN NO. 0627.	11/11/05	HV

RBC PROPRIETARY AND CONFIDENTIAL INFORMATION
 This document is the property of REGAL-BELOIT CORPORATION ("RBC") including its subsidiaries and divisions and contains proprietary information of RBC. This document is loaned on the express condition that neither it nor the information contained hereon shall be disclosed to others without the express written consent of RBC, and that the information shall be used by the recipient only as approved expressly by RBC. This document shall be returned to RBC upon its request. This document may be subject to certain restrictions under U.S. export control laws and regulations.

SPECIFICATIONS :

"GEM-III Capacitors are manufactured with High Grade Metallized Polypropylene Film"

Main Capacitance	: 20.00 μ F \pm 3%
Secondary Capacitance	: NIL
Volts	:580AC
Leakage Current	:30 μ A Max.
Frequency	:50/60 HZ
Operating Temperature	: -40 DEG C TO 90 DEG C
Storage Temperature	: -40 DEG C TO 90 DEG C
Operative Life	:60,000 HRS WITH 94% SURVIVAL
Dissipation Factor	:0.1% MAX.
Case Material	: ALUMINIUM
Cover Material	: TERNPLATE
Terminals	: 0.250"x0.031" Quick Connect Blades
Dielectric Fluid	: DIELEKTROL VI
Internal Protection	: UL RECOGNIZED PRESSURE SENSITIVE INTERRUPTER

FOR ADDITIONAL INFO REFER TO:	SIGNATURES	DATE	 REGAL-BELOIT CORPORATION
APPLIED PRACTICES UNLESS OTHERWISE SPECIFIED DIMENSIONS ARE IN INCHES	MODEL RAGHU.P.H	09/13/04	
TOLERANCE ON:	DETAIL RAGHU.P.H	09/13/04	GEM III CAPACITOR OUTLINE DRAWING
1 PL DECIMALS \pm 0.1	CHECKED RAGHU.P.H	09/13/04	
2 PL DECIMALS \pm 0.01	ENGRG	-	
3 PL DECIMALS \pm 0.001	MFG	-	
ANGLES \pm 0.5	QUALITY	-	
FRACTIONS \pm	ISSUED	-	SIZE DRAWING
FINISH	<input checked="" type="checkbox"/>	-	C
MATERIAL	SOLID MODEL: 2TCAPAC1TOR_ASM	SCALE: 1.250	REV 1
REF. No. :			97F693IRC
SHEET 1 OF 1			

