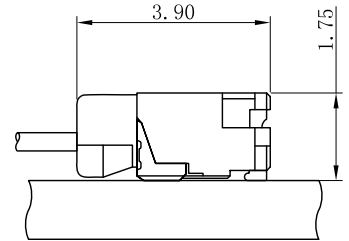
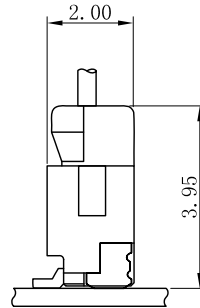
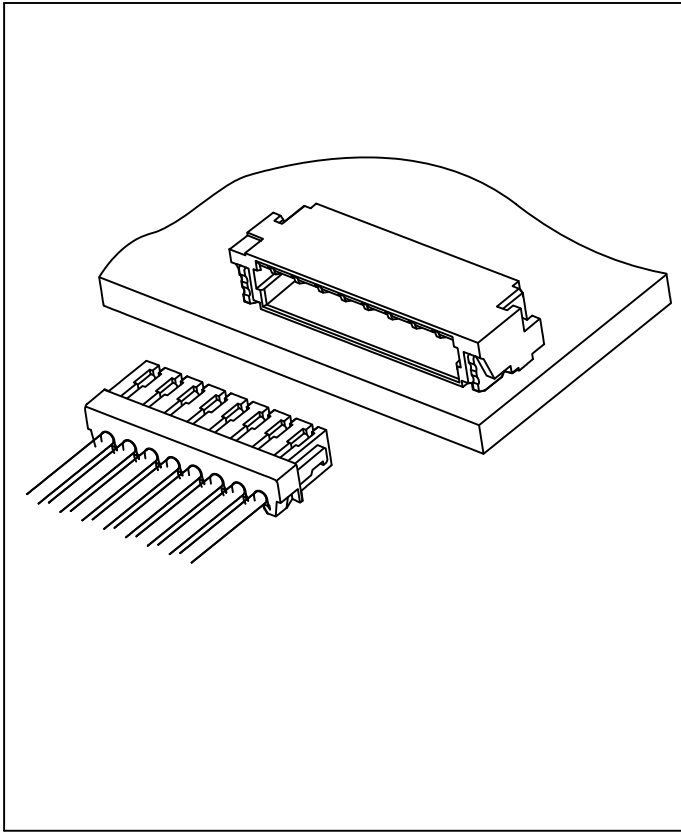


SPECIFICATIONS:

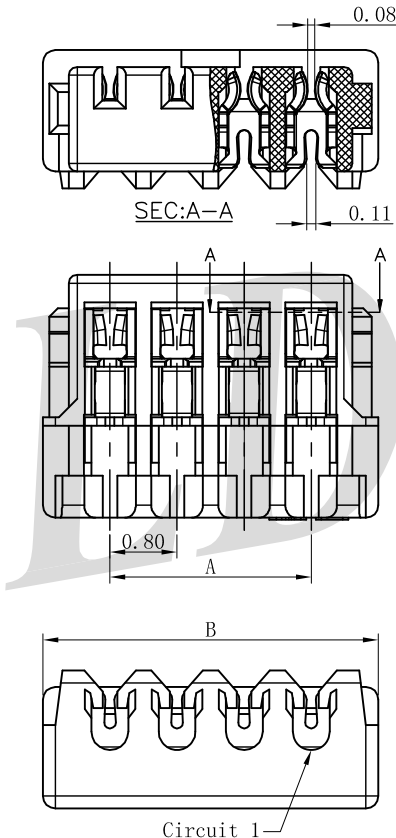
Voltage Rating: 30V AC/DC
 Current Rating: 0.5A AC/DC
 Withstanding Voltage: 200V AC/Minute
 Temperature Range: -25°C~+85°C
 Insulation Resistance: 100MΩ Min.
 Contact Resistance: 20mΩ Max.
 Applicable Wire Range: AWG#32.

Assembly Layout:



A0800HI-NP-N0NA

0.80mm Pitch Single Row Housing



Reference Informations:

*Material:

Terminal: Phosphor Bronze/
Gold-plated or Tin-plated

Housing: LCP,UL94V-0

*Mates with LDZY A0800 series Wafer
Ordering Information & Dimensions

Poles	Dimensions (mm)	
	A	B
02	0.80	2.40
03	1.60	3.20
04	2.40	4.00
05	3.20	4.80
06	4.00	5.60
07	4.80	6.40
08	5.60	7.20
09	6.40	8.00
10	7.20	8.80
12	8.80	10.40
14	10.40	12.00
15	11.20	12.80
16	12.00	13.60
17	12.80	14.40
20	15.20	16.80

A0801H-NP-46BG

0.80mm Pitch Single Row Housing

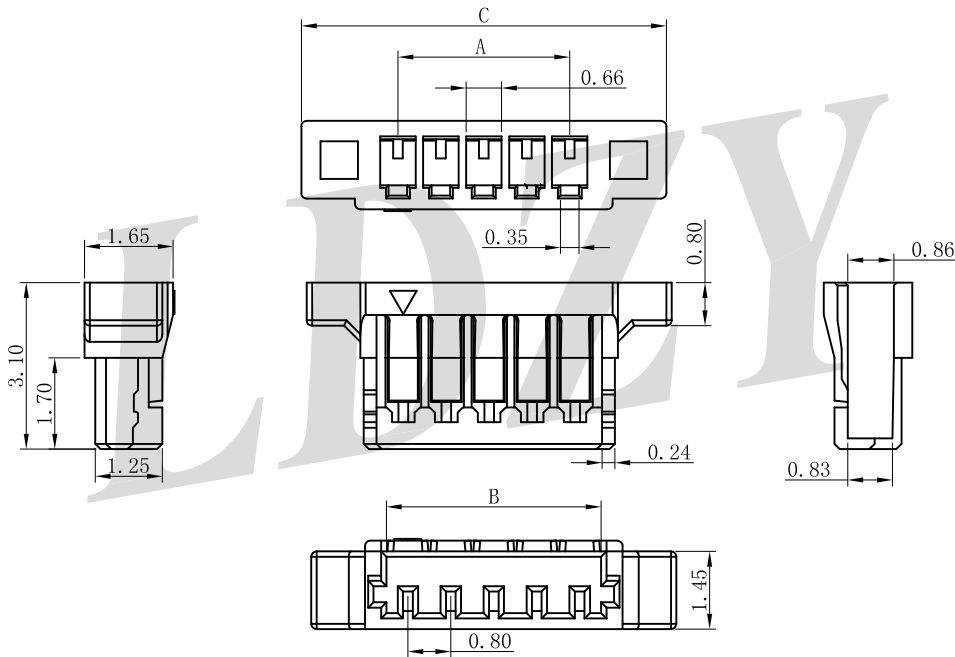
Reference Informations:

*Material:

Housing: Nylon46, UL94V-0

Color: Beige

*Mates with LDZY A0800 series Wafer

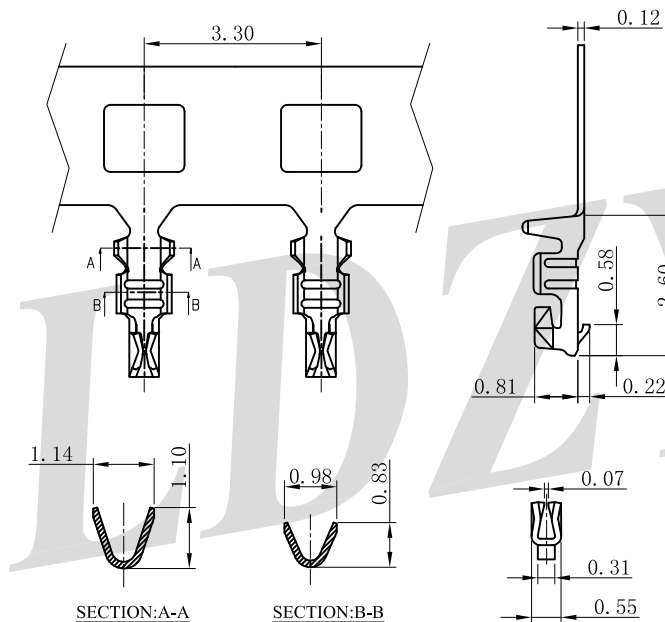


Ordering Information & Dimensions

Poles	Dimensions (mm)		
	A	B	C
2	0.80	1.80	4.40
3	1.60	2.60	5.20
4	2.40	3.40	6.00
5	3.20	4.20	6.80
6	4.00	5.00	7.60
7	4.80	5.80	8.40
8	5.60	6.60	9.20
9	6.40	7.40	10.00
10	7.20	8.20	10.80
11	8.00	9.00	11.60
12	8.80	9.80	12.40
13	9.60	10.60	13.20
14	10.40	11.40	14.00
15	11.20	12.20	14.80
16	12.00	13.00	15.60
17	12.80	13.80	16.40
18	13.60	14.60	17.20
19	14.40	15.40	18.00
20	15.20	16.20	18.80

A0801TF-PT1

1.00mm Pitch Terminal



Reference Informations:

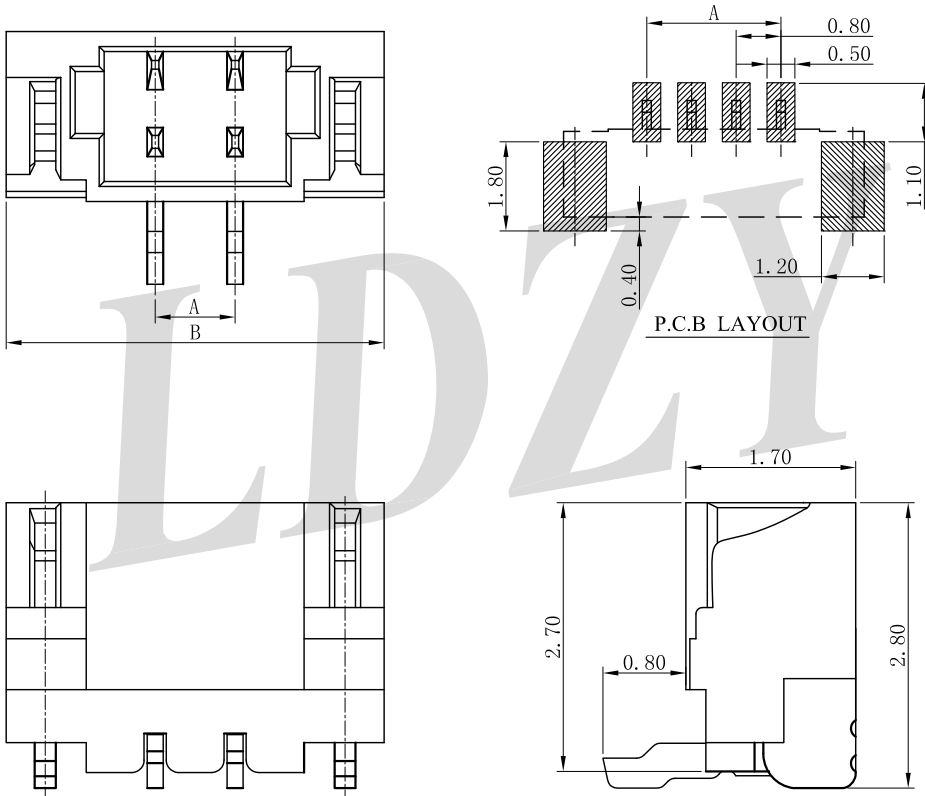
*Material: Phosphor Bronze/Tin Plated

*Used in LDZY A0801 series Housing

Ordering Information & Specifications

Part No	Wire Range	Insulation O.D.	Material	Finish	Qty/reel
A0801TF-PT1	AWG#32-#34	0.39mm(max)	Phosphor Bronze	Tin-plated	25,000pcs

A0800WVS-NP-6TBGG 0.80mm Pitch 180° SMT Single Row Wafer



Reference Informations:

*Material:

PIN: Phosphor Bronze/Gold-Flash

Shell: Phosphor Bronze/Tin-plated

Wafer: Nylon 6T, UL94V-0

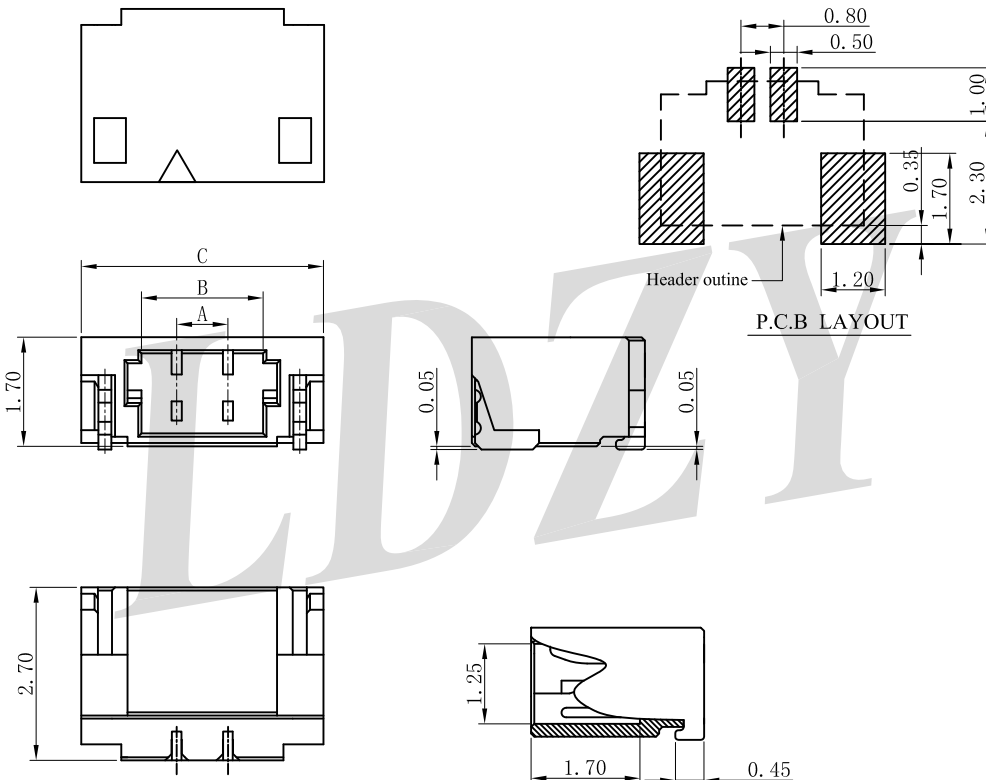
Color: Natural (Beige)

*Mates with LDZY A0800 series Housing

Ordering Information & Dimensions

Poles	Dimensions (mm)	
	A	B
02	0.80	3.80
03	1.60	4.60
04	2.40	5.40
05	3.20	6.20
06	4.00	7.00
07	4.80	7.80
08	5.60	8.60
09	6.40	9.40
10	7.20	10.20
11	8.00	11.00
12	8.80	11.80
13	9.60	12.60
14	10.40	13.40
15	11.20	14.20
16	12.00	15.00
17	12.80	15.80
18	13.60	16.60
19	14.40	17.40
20	15.20	18.20
22	16.80	19.80
24	18.40	21.40

A0800WRS-NP-L0BGG 0.80mm Pitch 90° SMT Single Row Wafer



Reference Informations:

*Material:

PIN: Phosphor Bronze/Gold-Flash

Shell: Phosphor Bronze/Tin-plated

Wafer: LCP, UL94V-0

Color: Natural (Beige)

*Mates with LDZY A0800 series Housing

Ordering Information & Dimensions

Poles	Dimensions (mm)		
	A	B	C
2	0.80	1.90	3.04
3	1.60	2.70	3.84
4	2.40	3.50	4.64
5	3.20	4.30	5.44
6	4.00	5.10	6.24
7	4.80	5.90	7.04
8	5.60	6.70	7.84
9	6.40	7.50	8.64
10	7.20	8.30	9.44
11	8.00	9.10	10.24
12	8.80	9.90	11.04
13	9.60	10.70	11.84
14	10.40	11.50	12.64
15	11.20	12.30	13.44
16	12.00	13.10	14.24
17	12.80	13.90	15.04
18	13.60	14.70	15.84
19	14.40	15.50	16.64
20	15.20	16.30	17.44