

SUPER BRIGHT LED

▼RECTANGULAR TYPE LED

Ta=25 C

Size	Shape	Type No.	Emitted Color	Lens	Peak Wavelength λ_p (nm)	Luminous Intensity Iv (mcd)			Spatial Distribution (The typical distribution example of each shape is shown below.)	fig.	
						MIN.	TYP.	If (mA)			
2 X 4		BR4364K	Red	Pastel Red	660	3	6	20		22	
		MPR4364K			700	1	1.5	10			
		MVR4364K			630	2.5	5	20			
		MAA4364K	Orange	Pastel Orange	Clear	605	3	6			20
		MAY4364K				580	3	6			20
		MPY4364K	Yellow	Pastel Yellow		570	5	10			20
		MPG4364K	Green	Pastel Green		560	3	6			20
		MBG4364K	Pure Green	Pastel Green		555	1.5	3			20
2 X 3		BR3822K	Red	Red		660	2	4	20		23
		PR3822K				700	0.4	0.8	10		
		VR3822K				630	2	4	20		
		AA3822K	Orange	Orange	Clear	605	2	4	20		
		AY3822K	Yellow	Yellow		580	2	4	20		
		PY3822K	Yellow	Yellow		570	2	4	20		
		PG3822K	Green	Green		560	2	4	20		
		BG3822K	Pure Green	Green		555	1	2	20		

▼PACKAGE DIMENSIONS Unit : mm

fig. 22

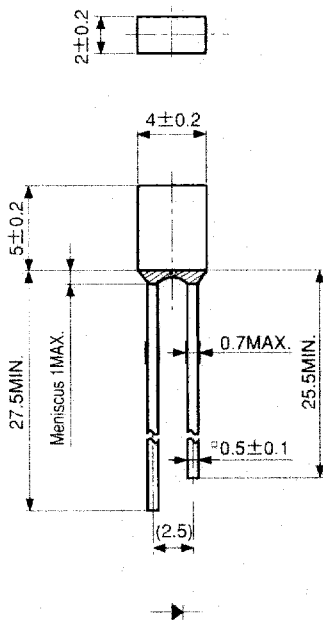


fig. 23

