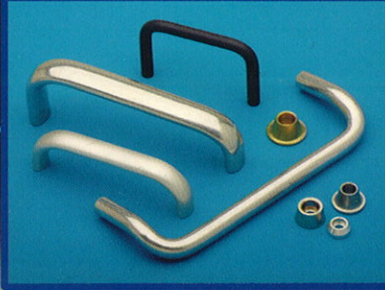


Hinged Standoffs



Standard Handles



Screws



Standoffs



Hinged Handles



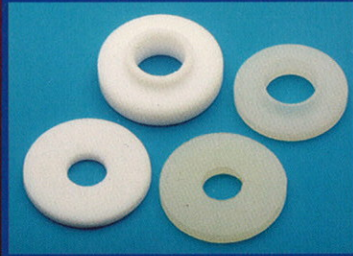
Spacers



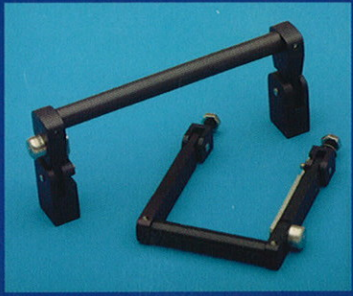
Anti-Rotation Standoffs



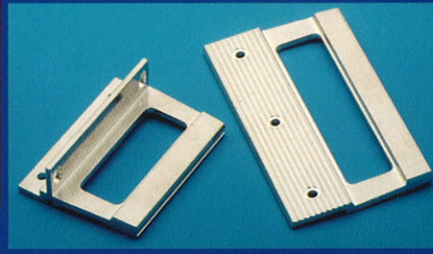
Insulating Washers



Positive Locking Handles



Contemporary Handles



High-Tech Handles



# AMATOM<sup>®</sup>

Toll Free: 800-243-6032 ■ [www.amatom.com](http://www.amatom.com)

5 Pasco Hill Road ■ Cromwell, CT 06416-1093 ■ Phone: (860) 828-0847 ■ Fax: (860) 828-0381

## COMPANY PROFILE

AMATOM Electronic Hardware is a manufacturer of mechanical packaging hardware used by all segments of the electronic industry. The AMATOM Catalog, or "Electronic Hardware Reference Manual," is a primary source of the design of packaging hardware and handles.

### Factory Capabilities

Our manufacturing facility is located in Cromwell, Connecticut. We not only manufacture the product we sell, we also plate to a large variety of different plating finishes.

### Selling Methods

AMATOM sells its products in the following ways:

- Manufacturers Representatives, who work closely with both engineering and purchasing to help with designing and procurement needs.
- Authorized Hardware Distributors, who are a select group of distributors carefully chosen to work closely with our factory to provide the utmost in customer service.

### Factory Direct Customer Service/Sales Representatives

These individuals work with purchasing, engineering, authorized distribution, and field sales representatives to provide the ultimate in customer satisfaction.

**FERRULES**

**HANDLES**

**WASHERS**

**SPACERS**

**CAPTIVE SCREWS**

**CATCHES**

**STANDOFFS**

## AMATOM Electronic Hardware

### SERVICE & QUALITY AT ITS BEST!

	Page
<b>Standoffs and Spacers</b>	
Specifications .....	4-8
Post Type Standoffs (Internal Thread)	
3/16" to 5/8" Round, Hex and Square.....	10-19
Spacers (Thru hole) 1/8" to 1/2" Round .....	20
Swage Type Standoffs 5/32" to 1/4" Round Plus Hex .....	21-30
Male/Female Post Type Standoffs 3/16" to 3/8" Round Plus Hex .....	31-34
Jack Screws 3/16" Hex to 1/4" thru 1" Long .....	35
Hinged Standoffs 3/16" to 3/8" Round .....	36-39
Anti-Rotation Swage Standoffs 7/32" to 3/8" Round .....	40
<b>Metric Standoffs and Spacers</b>	
Specifications .....	43-44
Post Type Standoffs (4.5mm - 13mm Round Plus Hex).....	45-49
Spacers (4.5mm - 13mm Round).....	50
Swage Type Standoffs (4.5mm - 8mm Round).....	51-53
Male/Female Standoffs (4.5mm - 10mm Hex) .....	54-56
Anti-Rotation Standoffs (6mm - 10mm Round).....	57-60
<b>Captive Panel Hardware</b>	
Specifications .....	65-66
Captive Panel Screws .....	68-73, 75-79
Captive Panel Washers .....	74
Captive Panel Retainers .....	80-92
<b>Handles and Ferrules</b>	
Specifications .....	100-103
Internal Threaded Handles (Non-Folding)	
Round, Oval, Half Round and Rectangular .....	104-127
Folding Handles (Freefall, 2, 3 and Infinite Position)	
Round, Oval and Rectangular .....	128-154
Offset Handles.....	155-158
Slanted Handles .....	159-163
Bar Handles .....	164-166
Decorative Ferrules (For Round Handles) .....	169-170
Contemporary Handles .....	171-173
High-Tech Handles .....	174-175
Locking Folding Handles.....	176-177
Spring Loaded Folding Handles.....	178
<b>Insulating Washers</b>	
Specifications .....	181
Flat Washers (Nylon, Phenolic, Teflon, Fiber).....	183-188
Shoulder Washers (Nylon, Phenolic, Teflon, Fiber) .....	189-236
<b>Panel Bushings</b> .....	237
<b>Catches &amp; Heavy Duty Handles</b> .....	239-266
<b>Cross Reference Charts</b> .....	267-277

	Page
<b>A. Post Type Standoffs (Internal Thread)</b>	
3/16" Round, Hex, Square from 1/8" thru 2" long .....	10
1/4" Round, Hex, Square from 1/8" thru 5" long .....	11-12
5/16" Round, Hex, Square from 1/8" thru 5" long .....	13-14
3/8" Round, Hex, Square from 1/8" thru 5" long, Hex 1/8" thru 10" long .....	15-17
1/2" Round and Hex 1/8" thru 7 1/4" long .....	18
5/8" Round, Hex, Square from 1/8" thru 5" long .....	19
 <b>B. Spacers (No Thread)</b>	
1/8" Round from 1/8" thru 1/2" long .....	20
3/16" Round from 1/8" thru 1" long .....	20
1/4" Round from 1/8" thru 2" long .....	20
5/16" Round from 1/8" thru 2" long .....	20
3/8" Round from 1/8" thru 2" long .....	20
1/2" Round from 1/8" thru 2" long .....	20
 <b>C. Swage Type Standoffs (Internal Thread)</b>	
5/32" Round and Hex from 1/8" above Panel thru 1" above Panel .....	21
3/16" Round and Hex (.125 Shank) from 1/8" above Panel thru 1" above Panel .....	22
3/16" Round and Hex (.139 Shank) from 1/8" above Panel thru 1" above Panel .....	23
1/4" Round and Hex (.138 Shank) from 1/8" above Panel thru 1" above Panel .....	24
1/4" Round (.188 Shank) from 1/8" above Panel thru 2" above Panel .....	25
1/4" Hex (.188 Shank) from 1/8" above Panel thru 2" above Panel .....	26
5/16" Round from 1/8" above Panel thru 2" above Panel .....	27
5/16" Hex from 1/8" above Panel thru 2" above Panel .....	28
3/8" Round from 1/8" above Panel thru 2" above Panel .....	29
3/8" Hex from 1/8" above Panel thru 2" above Panel .....	30
 <b>D. Male/Female Post Type Standoffs</b>	
3/16" Round and Hex from 3/16" thru 1" long "L" dim - Body length.....	31
1/4" Round and Hex from 1/4" thru 2" long "L" dim - Body length.....	32
3/8" Round from 1/4" thru 6" long "L" dim - Body length .....	33
3/8" Hex from 1/4" thru 6" long "L" dim - Body length .....	34

	Page
<b>E. Jack Screws</b>	
3/16" Hex Steel 3/16" long body with 1/4" thru 1" long 4-40 Male Thread .....	35
<b>F. Hinged Standoffs</b>	
<b>Female/Female (Internal Threads)</b>	
3/16" from 3/4" length overall thru 2" length overall.....	36
1/4" from 3/4" length overall thru 2" length overall.....	36
5/16" from 3/4" length overall thru 2" length overall.....	37
3/8" from 3/4" length overall thru 2" length overall.....	37
<b>Male/Male (External Threads)</b>	
3/16" from 1/2" length overall thru 2" length overall.....	38
1/4" from 1/2" length overall thru 2" length overall.....	38
5/16" from 1/2" length overall thru 2" length overall.....	38
3/8" from 1/2" length overall thru 2" length overall.....	38
<b>Special Order Hinged Standoffs</b> .....	39
<b>G. Anti-Rotation Swage Standoffs</b>	
7/32" from .065 above Panel thru 1" above panel .....	40
9/32" from .065 above Panel thru 1" above panel .....	40
11/32" from 1/8" above Panel thru 1" above panel .....	40
3/8" from 1/8" above Panel thru 1" above panel .....	40

**FEDERAL SUPPLY CODE FOR MANUFACTURERS  
FSCM (Cage)  
1YGB8**

### Materials Chart No. 2

Material	Code Letter	Material Specifications
Brass	B	Alloy 360, 353 ASTM B16
Aluminum	A	<sup>1</sup> QQ-A-225/3 (2011-T3) QQ-A-225/6 (2024-T4) QQ-A-225/8 (6061-T6) QQ-A-200/9 (6063-T5)
Stainless Steel	SS	ASTM A582
Steel	S	ASTM A108-81, C12L14
Nylon	N	<sup>2</sup> LP-410
Teflon	T	<sup>2</sup> Mil-P-14078 Mil-P-19468
Phenolic	PH	<sup>3</sup> Mil-P-79 Type PBE XXX (Paper Base)
Phenolic	PH-F	<sup>3</sup> Mil-P-79 Type FBE Grade CP-940 or 4 below Fabric Base
Delrin	D	LP-392
Fibre	F	Mil-F-1148A (Grade CH)
Poly Vinyl Chloride	PVC	ASTM D-1784

1. Depending upon application
2. Smallest Thread size recommended is 4-40
3. Mil-P-15035C

### Thread Code Chart No. 3

Thread code is the 4 digit number assigned to the part number to designate the thread size of a part. All threads are Class 2 (A and B) (commercial)\*.

AMATOM		AMATOM		AMATOM	
Thread Size	Thread Code	Thread Size	Thread Code	Thread Size	Thread Code
0-80	0080	5-44	0544	1/4-32	2532
1-64	0164	6-32	0632	5/16-18	3118
1-72	0172	6-40	0640	5/16-24	3124
2-56	0256	8-32	0832	3/8-16	3716
2-64	0264	8-36	0836	3/8-24	3724
3-48	0348	10-24	1024	3/8-32	3732
3-56	0356	10-32	1032	7/16-14	4314
4-40	0440	12-24	1224	7/16-20	4320
4-48	0448	1/4-20	2520	1/2-13	5013
5-40	0540	1/4-28	2528	1/2-20	5020

\*Note: For special threads, contact Amatom Sales Office for Number.

Self Locking Hardware (No lockwashers required)

Amatom threaded hardware is available with HELI-COIL® inserts. (HELI-COIL® inserts not available in Teflon and Delrin parts.)

To specify parts requiring a HELI-COIL® locking insert - add the letters "HL" to the thread code, i.e. 80 XX - B - 0440HL

Unless otherwise specified HELI-COIL® inserts will be 1 1/2 x diam. of the thread.

(Prices available on application only.)

® Reg. U.S. Pat. Off

### Length of Thread

#### Brass and Aluminum Parts

0-80 thread is tapped thru up to 3/8 in. length  
2-56 thread is tapped thru up to 5/8 in. length  
4-40 and larger threads are tapped thru up to 1 in. length

#### Stainless Steel, Nylon, Phenolic

0-80 thread is tapped thru up to 1/4 in. length  
2-56 thread is tapped thru up to 3/8 in. length  
4-40 thread is tapped thru up to 1/2 in. length  
6-32 and larger threads are tapped thru up to 1 in. length

Standoffs with longer lengths than shown above will be tapped both ends to thread depths as indicated in Chart 3A.

NOTE: Standoffs and spacers from 1 1/16 thru 2" long may be manufactured from tubing or solid material at our discretion. If your requirement calls for solid material please specify TBE (tap both ends) when ordering.

### Depth of Thread

#### Chart No. 3A

Recommended Blind Hole Thread Length in Standoffs

(Drilled and Tapped both ends)

Per Handbook H-28 (Part 1)

Screwthread Standards (Federal)

Thread Size	Screw Engagement	Thread Size	Screw Engagement
0-80	3/16	12-24	1/2
2-56	3/16	1/4-20	9/16
3-48	1/4	1/4-28	1/2
4-40	1/4	5/16-18	9/16
6-32	3/8	3/8-16	9/16
8-32	7/16	3/8-32	3/8
10-24	1/2	7/16-20	9/16
10-32	1/2		

Exceptions are noted on catalog pages where applicable.

### Percentage of Thread

#### Chart 3B

Screw Thread Size	% of Thread Allowable	
	Roll, or Cold Form Tap	Cut Tap
2	55	56
4	55	57
6	55	66
8	55	58
10	55	59
12	55	63
1/4	55	67

Note: Parts will be made by both methods and are interchangeable, unless customer specifically requests otherwise.

### Clearance Hole Code Chart No. 4

Clearance Code is the size of hole in a spacer, needed to clear the major diameter and not have a sloppy fit.

Thread Size	Clearance Hole Range	Clearance Hole Code	Thread Size	Clearance Hole Range	Clearance Hole Code
0-80	.062-.072	.063	10-24	.192-.202	.194
1-64	.075-.085	.076	10-32	.192-.202	.194
1-72	.075-.085	.076	12-24	.218-.228	.219
2-56	.088-.098	.091	1/4-20	.252-.262	.257
2-64	.088-.098	.091	1/4-28	.252-.262	.257
3-48	.101-.111	.104	5/16-18	.3145-.3245	.316
3-56	.101-.111	.104	5/16-24	.3145-.3245	.316
4-40	.114-.124	.115	3/8-16	.377-.387	.381
4-48	.114-.124	.115	3/8-24	.377-.387	.381
5-40	.127-.137	.129	3/8-32	.377-.387	.381
5-44	.127-.137	.129	7/16-14	.4395-.4495	7/16
6-32	.140-.150	.140	7/16-20	.4395-.4495	7/16
6-40	.140-.150	.140	1/2-13	.502-.512	1/2
8-32	.166-.176	.171	1/2-20	.502-.512	1/2
8-36	.166-.176	.171			

Note:

1. Size of Clearance Hole computed as follows:  
Minimum I.D.=Thread Major Diameter + .002  
Maximum I.D.=Thread Major Diameter +.012
2. For special clearance sizes not listed, designate the inside diameter required by .xxx of the decimal equivalent of size required.

### Shank Length Code Chart No. 1

Code	Length of Shank	Panel Thickness	Code	Length of Shank	Panel Thickness
A	.075	1/32	D	.165	1/8
B	.105	1/16	E	.230	3/16
C	.135	3/32	F	.290	1/4

### Properties

Property	Vulcanized Fibre	Nylon 101	Teflon	Phenolic		Delrin Acetal
				XXXP	LE	
Tensile Strength psi	6,000-12,000	11,200-16,500	2,700-3,100	13,500	10,000-14,000	10,000
Compressive Strength psi	20,000-30,000	4,000-11,000	700-1,200	36,000	37,000	18,000
Heat Resistance (continuous °F)	221	250	550	250-275	225-250	250
Dielectric Constant (60 cycles)	4-7	10	2.1			3.7
Dielectric Strength 1/8 thickness (v/mil)	150	300-400	400	325	225	500
Arc Resistance (Sec)	80	140	200	10	10	129
Water Absorption 24 hrs (%)	15-25	1.5	.00	.5	1.8	.12
Rockwell Hardness	R Scale 80	107-119	R-58	M110	M113	R120
Flammability (in/min) .125 in.		Self-Ext.	Non-Flam.			1.1
Specific Gravity	1.0-1.5	1.13-1.14	2.13	1.35	1.33	1.42

Information listed above was obtained from charts submitted by various manufacturers. We believe this information to be accurate, but since test methods vary, their validity cannot be verified. This chart is compiled for information purposes only.

### Tolerances - Functionability

Tolerances in manufacture of standoffs and spacers	
Diameter: ±.006 except where otherwise noted	Length: 1. Up to 4" long all are kept to ±.005 2. 4" to 6" long ±.008 3. Over 6": long ±.010 4. Nylon Parts ±.015

Amatom reserves the right to make adjustments in dimensions and specifications at any time without notice. Customer's inspection should be determined primarily on functionability.



**Externally  
threaded products  
made from  
Brass or Steel**

i.e. Male/female standoffs  
or captive screws



The external threads are manufactured to a pre-plated condition to accommodate the plating process. Unplated parts will accept the standard no-go gauge.



On a special order basis, Amatom will manufacture these products for applications that do not require plating, and will not be made to a pre-plated condition.



## Anti-Rotation Swage Standoffs

3-4 times more holding power than conventional standoffs. The Amatom high torque (anti-rotation) swage standoff is designed primarily for installation in epoxy glass, phenolic boards and aluminum panels or chassis. This broaching type standoff literally cuts its way down into the mounting material, biting in for torque resistance. The knurled shank feature eliminates electrical connection breaks due to loosening and spinning of the standoff under high torque conditions.

### Performance Data Average Torque Load (inch-pounds)

Method of Installation	4-40 Thread	6-32 Thread	8-32 Thread	10-24 Thread	10-32 Thread
Straight Hole	35	40	50	50	70

Your torque loads may vary due to differences in installation parameters.  
Tests performed on Epoxy Glass G10 boards.

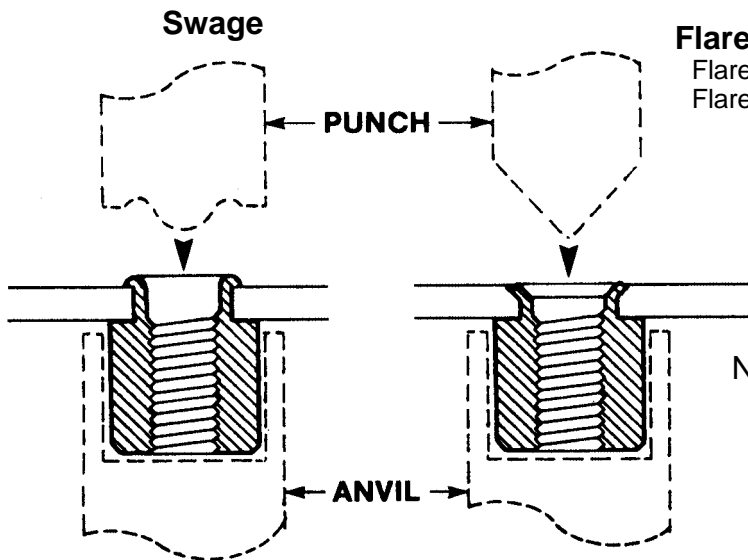
## Methods of Installation

1. Select proper hole size (straight hole):

Anti-Rotation Swage					
Thread Size	4-40	6-32	8-32	10-24	10-32
Shank Dia. "C" Dim.	.179	.226	.263	.285	.285
Hole Dia. +.005-.000	.166	.213	.250	.272	.272

Plain Swage
Hole Diameter same as shank +.003
O.D. Tol. -.000

2. Swage or flare as required:



**Flare**  
Flare tool supplied by customer.  
Flare angle same as countersink.

**Note:**  
For flush flaring into countersunk hole use shank length .020" shorter than board thickness

Tool part numbers for swaging are listed along with anti-rotation and swage standoff part descriptions.

## Finishes Available

ALUM (A)		Notes	BRASS (B)		Notes
0	No Finish	A	0	No Finish	
1A	Anodize-Mil-A-8625 Type 1 (Chromic) Hot Water Seal (Dk. Grey)		3	Cadmium Plate-QQ-P-416 Class 1 -Clear Chromate Special Order	
1B	Anodize-Mil-A-8625 Type 2 (Sulphuric) Hot Water Seal (Clear)		3B	Cadmium Plate-QQ-P-416 Class 3, Type 2-Color Chromate Special Order	
1C	Anodize-Mil-A-8625 Type 2 (Sulphuric) Dichromate Seal (Yellow/Green)		4	Nickel plate QQN-290 A Grade G	
2	Anodize-Mil-A-8625 Black Type 2		6A	Brass Ebonal "C" (Black) Mil-F-495	
8	Caustic Etch		14	Electro Tin Plate-Mil-T- 10727-Type I	
9	Caustic Etch and Lacquer		14A	Electro Tin Solder 60/40 per M230 Mil-F-14072	B
10	Alodine 1200		15	Bright Dip (Brass Finish)	
16	Iridite-Clear-Mil-C-5541		28	Zinc Plate .0002 thick-ASTM-B-633 Type I	A
17	Iridite-Gold-Mil-C-5541		37	Zinc Plate .0002 thick-ASTM-B-633 Type II (Color Chromate)	
<b>STEEL (S)</b>			Note: Brass parts stocked with Zinc Plate finish-28. Refer to chart above for other finishes required. Finish #3 and 3B available on special order.		
0	No Finish		<b>STAINLESS STEEL (SS)</b>		
3	Cadmium Plate-QQ-P-416 Class 3 -Clear Chromate Special Order		6B	Stainless Steel "Black Oxide" Mil-C-13924	
3B	Cadmium plate-QQ-P-416 Class 3, Type 2-Color Chromate Special Order		7	Passivate-QQ-P-35	A
4	Nickel Plate QQ-N-290, A Grade F		<b>PHENOLIC (PH)(PHF)</b>		
14	Electro Tin Plate-Mil-T- 10727-Type I		0	No Finish	A
14A	Electro Tin Solder 60/40 Per M230 Mil-F-14072	B	30	Moisture and Fungus Resistant Finish Mil-V-173	
28	Zinc Plate .0002 thick-ASTM-B-633 Type I		<b>NYLON (N)</b>		
37	Zinc Plate .0002 thick-ASTM-B-633 Type II (Color Chromate)		Plain-No finish		
Notes:	(A.) Standard Finish for stocked parts. (B.) Not suitable for 2-56 or smaller threads specify oversized tap when ordering thread sizes.				

# AMATOM<sup>®</sup>



**POST STANDOFFS  
SPACERS  
SWAGE STANDOFFS  
MALE/FEMALE STANDOFFS  
JACK SCREWS  
HINGED STANDOFFS  
ANTI-ROTATION STANDOFFS**

**ELECTRONIC HARDWARE  
REFERENCE MANUAL**

*Call Toll Free*

From anywhere in the USA Call Cromwell, CT **1-800-243-6032**

**AMATOM ELECTRONIC HARDWARE**

5 Pasco Hill Road

Cromwell, CT 06416-1093

860-828-0847

Fax: 860-828-0381

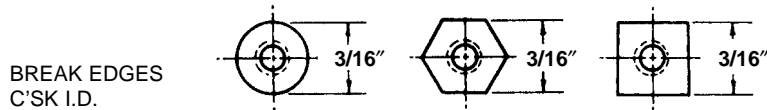
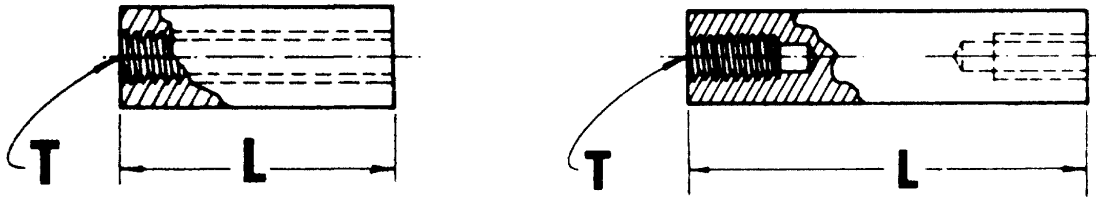
E-Mail: [sales@amatom.com](mailto:sales@amatom.com)

Web Address: <http://www.amatom.com>

**STANDOFFS and SPACERS**

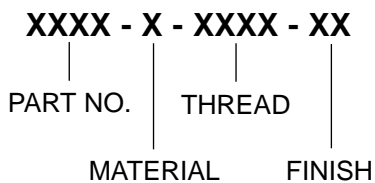
## STANDOFFS 3/16"

### ROUND • HEX • SQUARE



LENGTH	PART NO.		
	ROUND	HEX	SQUARE
1/8	8075	8100	8125
3/16	8076	8101	8126
1/4	8077	8102	8127
5/16	8078	8103	8128
3/8	8079	8104	8129
7/16	8080	8105	8130
1/2	8081	8106	8131
9/16	8082	8107	8132
5/8	8083	8108	8133
3/4	8084	8109	8134
7/8	8085	8110	8135
1	8086	8111	8136
1-1/16	8087	8112	8137
1-1/8	8088	8113	8138
1-3/16	8089	8114	8139
1-1/4	8090	8115	8140
1-5/16	8091	8116	8141
1-3/8	8092	8117	8142
1-7/16	8093	8118	8143
1-1/2	8094	8119	8144
1-9/16	8095	8120	8145
1-5/8	8096	8121	8146
1-3/4	8097	8122	8147
1-7/8	8098	8123	8148
2	8099	8124	8149

### PART NUMBER ORDERING SYSTEM



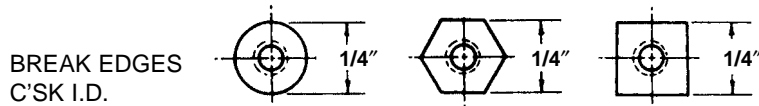
Refer to page 4 for Thread Depth.  
 Refer to page 8 for Finish Codes.  
 For parts not listed contact sales office.

THREAD CODE	
THREAD	CODE
2-56	0256
4-40	0440

MATERIAL	CODE
Aluminum	A
Brass	B
Steel	S
Stainless Steel	SS
Nylon (square not available)	N

5 Pasco Hill Road • Cromwell, CT 06416-1093  
 Phone: 860-828-0847 • Call Toll Free: 800-243-6032 • Fax: 860-828-0381  
 Web Address: <http://www.amatom.com> • E-Mail: [sales@amatom.com](mailto:sales@amatom.com)

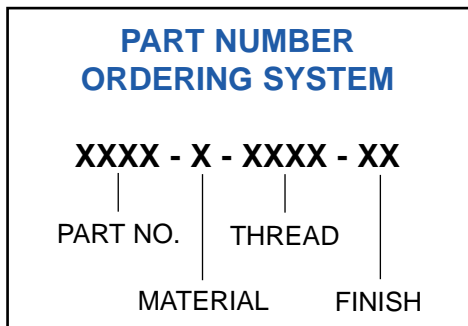
## STANDOFFS 1/4" ROUND • HEX • SQUARE



LENGTH	PART NO.		
	ROUND	HEX	SQUARE
1/8	8150	8209	8269
3/16	8151	8210	8270
1/4	8152	8211	8271
5/16	8153	8212	8272
3/8	8154	8213	8273
7/16	8155	8214	8274
1/2	8156	8215	8275
9/16	8157	8216	8276
5/8	8158	8217	8277
3/4	8159	8218	8278
7/8	8160	8219	8279
1	8161	8220	8280
1-1/16	8162	8221	8281
1-1/8	8163	8222	8282
1-3/16	8164	8223	8283
1-1/4	8165	8224	8284
1-5/16	8166	8225	8285
1-3/8	8167	8226	8286
1-7/16	8168	8227	8287
1-1/2	8169	8228	8288

continued on next page

Refer to page 4 for Thread Depth.  
Refer to page 8 for Finish Codes.  
For parts not listed contact sales office.



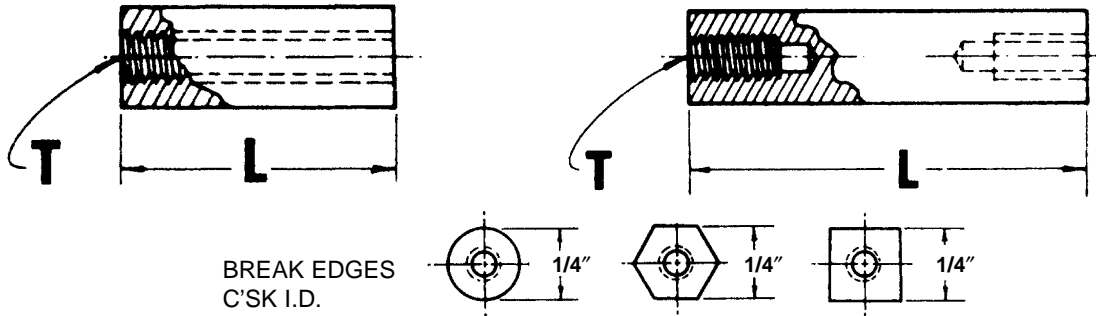
THREAD CODE	
THREAD	CODE
4-40	0440
6-32	0632
8-32	0832
10-32	1032

MATERIAL	CODE
Aluminum	A
Brass	B
Stainless Steel	SS
Nylon	N
†Phenolic	PH

†Phenolic - PH (Paper Base)

5 Pasco Hill Road • Cromwell, CT 06416-1093  
 Phone: 860-828-0847 • Call Toll Free: 800-243-6032 • Fax: 860-828-0381  
 Web Address: <http://www.amatom.com> • E-Mail: [sales@amatom.com](mailto:sales@amatom.com)

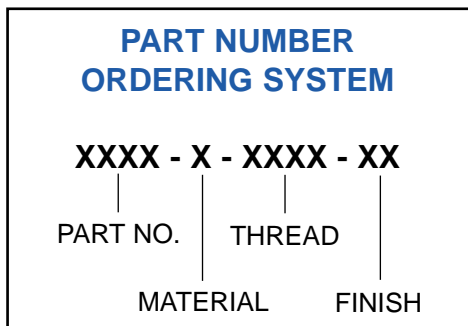
## STANDOFFS 1/4" ROUND • HEX • SQUARE



continued from previous page

LENGTH	PART NO.		
	ROUND	HEX	SQUARE
1-9/16	8170	8229	8289
1-5/8	8171	8230	8290
1-3/4	8172	8231	8291
1-7/8	8173	8232	8292
2	8174	8233	8293
2-1/8	8175	8234	8294
2-1/4	8176	8235	8295
2-3/8	8177	8236	8296
2-1/2	8178	8237	8297
2-3/4	8179	8238	8298
3	8180	8239	8299
3-1/4	8181	8240	8300
3-1/2	8182	8241	8301
3-3/4	8183	8242	8302
4	8184	8243	8303
4-1/4	8185	8244	8304
4-1/2	8186	8245	8305
4-3/4	8187	8246	8306
5	8188	8247	8307

Refer to page 4 for Thread Depth.  
Refer to page 8 for Finish Codes.  
For parts not listed contact sales office.



THREAD CODE	
THREAD	CODE
4-40	0440
6-32	0632
8-32	0832
10-32	1032

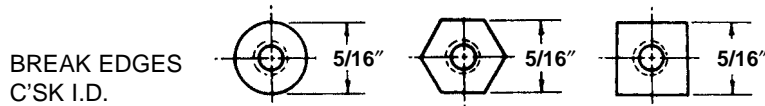
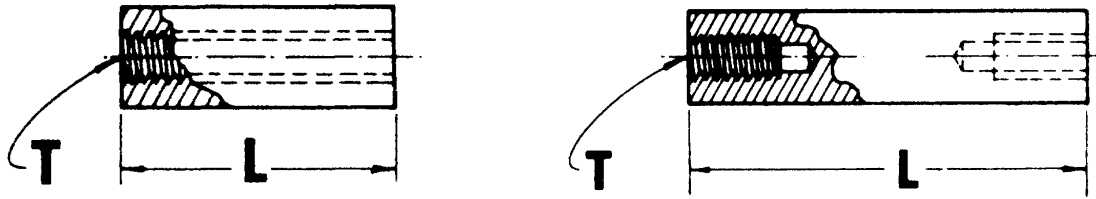
MATERIAL	CODE
Aluminum	A
Brass	B
Stainless Steel	SS
Nylon	N
†Phenolic	PH

†Phenolic - PH (Paper Base)

5 Pasco Hill Road • Cromwell, CT 06416-1093  
 Phone: 860-828-0847 • Call Toll Free: 800-243-6032 • Fax: 860-828-0381  
 Web Address: <http://www.amatom.com> • E-Mail: [sales@amatom.com](mailto:sales@amatom.com)

## STANDOFFS 5/16"

### ROUND • HEX • SQUARE



LENGTH	PART NO.		
	ROUND	HEX	SQUARE
1/8	8329	8388	8448
3/16	8330	8389	8449
1/4	8331	8390	8450
5/16	8332	8391	8451
3/8	8333	8392	8452
7/16	8334	8393	8453
1/2	8335	8394	8454
9/16	8336	8395	8455
5/8	8337	8396	8456
3/4	8338	8397	8457
7/8	8339	8398	8458
1	8340	8399	8459
1-1/16	8341	8400	8460
1-1/8	8342	8401	8461
1-3/16	8343	8402	8462
1-1/4	8344	8403	8463
1-5/16	8345	8404	8464
1-3/8	8346	8405	8465
1-7/16	8347	8406	8466
1-1/2	8348	8407	8467

continued on next page

Refer to page 4 for Thread Depth.  
 Refer to page 8 for Finish Codes.  
 For parts not listed contact sales office.

PART NUMBER ORDERING SYSTEM			
XXXX - X - XXXX - XX			
PART NO.	THREAD	MATERIAL	FINISH

THREAD CODE	
THREAD	CODE
4-40	0440
6-32	0632
8-32	0832
10-32	1032

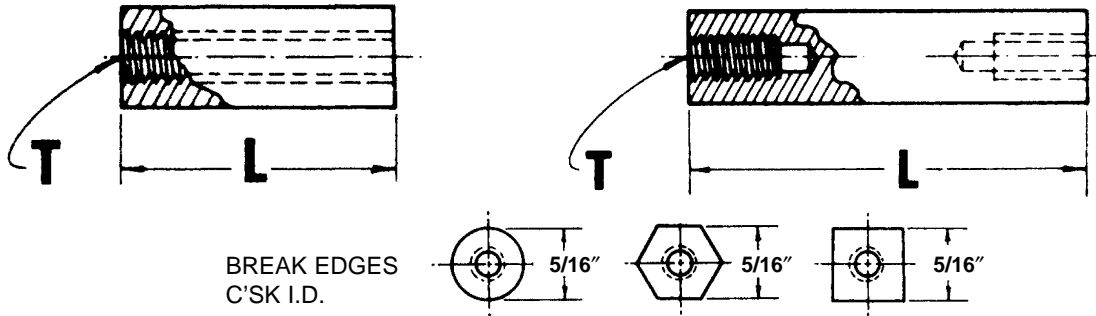
MATERIAL	CODE
Aluminum	A
Brass	B
Stainless Steel	SS
Nylon	N
(square not available)	
†Phenolic	PH

†Phenolic - PH (Paper Base)

5 Pasco Hill Road • Cromwell, CT 06416-1093  
 Phone: 860-828-0847 • Call Toll Free: 800-243-6032 • Fax: 860-828-0381  
 Web Address: <http://www.amatom.com> • E-Mail: [sales@amatom.com](mailto:sales@amatom.com)

## STANDOFFS 5/16"

### ROUND • HEX • SQUARE



continued from previous page

LENGTH	PART NO.		
	ROUND	HEX	SQUARE
1-9/16	8349	8408	8468
1-5/8	8350	8409	8469
1-3/4	8351	8410	8470
1-7/8	8352	8411	8471
2	8353	8412	8472
2-1/8	8354	8413	8473
2-1/4	8355	8414	8474
2-3/8	8356	8415	8475
2-1/2	8357	8416	8476
2-3/4	8358	8417	8477
3	8359	8418	8478
3-1/4	8360	8419	8479
3-1/2	8361	8420	8480
3-3/4	8362	8421	8481
4	8363	8422	8482
4-1/4	8364	8423	8483
4-1/2	8365	8424	8484
4-3/4	8366	8425	8485
5	8367	8426	8486

Refer to page 4 for Thread Depth.  
 Refer to page 8 for Finish Codes.  
 For parts not listed contact sales office.

PART NUMBER ORDERING SYSTEM			
XXXX - X - XXXX - XX			
PART NO.	THREAD	MATERIAL	FINISH

THREAD CODE	
THREAD	CODE
4-40	0440
6-32	0632
8-32	0832
10-32	1032

MATERIAL	CODE
Aluminum	A
Brass	B
Stainless Steel	SS
Nylon	N
(square not available)	
†Phenolic	PH

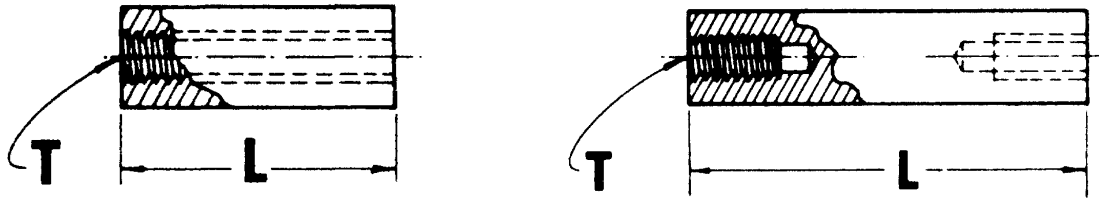
†Phenolic - PH (Paper Base)

5 Pasco Hill Road • Cromwell, CT 06416-1093  
 Phone: 860-828-0847 • Call Toll Free: 800-243-6032 • Fax: 860-828-0381  
 Web Address: <http://www.amatom.com> • E-Mail: [sales@amatom.com](mailto:sales@amatom.com)

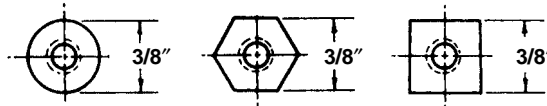


## STANDOFFS 3/8"

### ROUND • HEX • SQUARE



BREAK EDGES  
C'SK I.D.



LENGTH	PART NO.		
	ROUND	HEX	SQUARE
1/8	8508	8567	8627
3/16	8509	8568	8628
1/4	8510	8569	8629
5/16	8511	8570	8630
3/8	8512	8571	8631
7/16	8513	8572	8632
1/2	8514	8573	8633
9/16	8515	8574	8634
5/8	8516	8575	8635
3/4	8517	8576	8636
7/8	8518	8577	8637
1	8519	8578	8638
1-1/16	8520	8579	8639
1-1/8	8521	8580	8640
1-3/16	8522	8581	8641
1-1/4	8523	8582	8642
1-5/16	8524	8583	8643
1-3/8	8525	8584	8644
1-7/16	8526	8585	8645
1-1/2	8527	8586	8646

continued on next page

Refer to page 4 for Thread Depth.  
Refer to page 8 for Finish Codes.  
For parts not listed contact sales office.

### PART NUMBER ORDERING SYSTEM

XXXX - X - XXXX - XX

PART NO.

THREAD

MATERIAL

FINISH

### THREAD CODE

THREAD

CODE

6-32

0632

8-32

0832

10-32

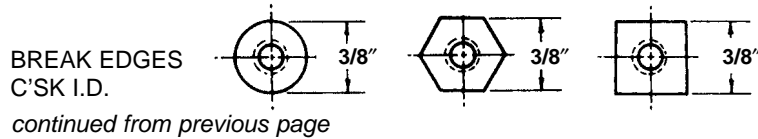
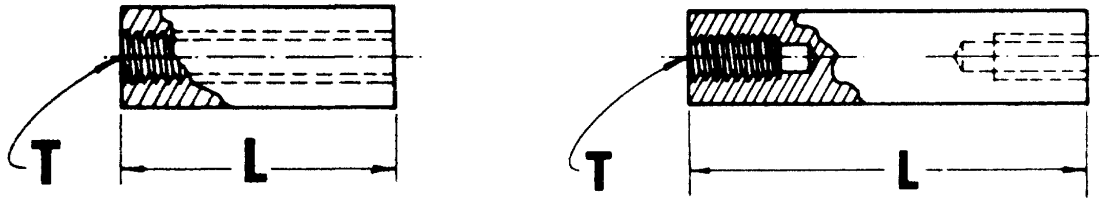
1032

MATERIAL	CODE
Aluminum	A
Brass	B
Stainless Steel	SS
Nylon	N
(square not available)	
†Phenolic	PH

†Phenolic - PH (Paper Base)

5 Pasco Hill Road • Cromwell, CT 06416-1093  
Phone: 860-828-0847 • Call Toll Free: 800-243-6032 • Fax: 860-828-0381  
Web Address: <http://www.amatom.com> • E-Mail: [sales@amatom.com](mailto:sales@amatom.com)

## STANDOFFS 3/8" ROUND • HEX • SQUARE



LENGTH	PART NO.		
	ROUND	HEX	SQUARE
1-9/16	8528	8587	8647
1-5/8	8529	8588	8648
1-3/4	8530	8589	8649
1-7/8	8531	8590	8650
2	8532	8591	8651
2-1/8	8533	8592	8652
2-1/4	8534	8593	8653
2-3/8	8535	8594	8654
2-1/2	8536	8595	8655
2-3/4	8537	8596	8656
3	8538	8597	8657
3-1/4	8539	8598	8658
3-1/2	8540	8599	8659
3-3/4	8541	8600	8660
4	8542	8601	8661
4-1/4	8543	8602	8662
4-1/2	8544	8603	8663
4-3/4	8545	8604	8664
5	8546	8605	8665

continued on next page

Refer to page 4 for Thread Depth.  
Refer to page 8 for Finish Codes.  
For parts not listed contact sales office.

PART NUMBER ORDERING SYSTEM			
XXXX - X - XXXX - XX			
PART NO.	THREAD	MATERIAL	FINISH

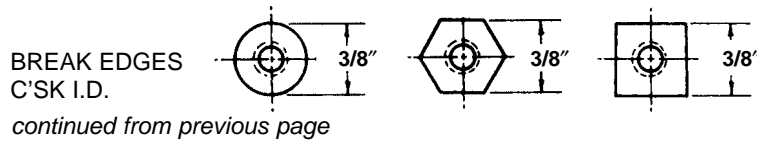
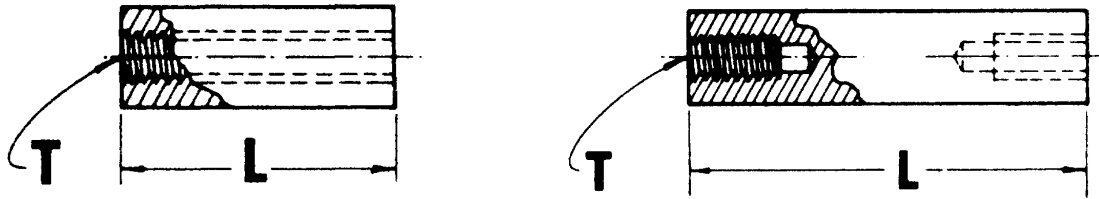
THREAD CODE	
THREAD	CODE
6-32	0632
8-32	0832
10-32	1032

MATERIAL	CODE
Aluminum	A
Brass	B
Stainless Steel	SS
Nylon	N
(square not available)	
†Phenolic	PH

†Phenolic - PH (Paper Base)

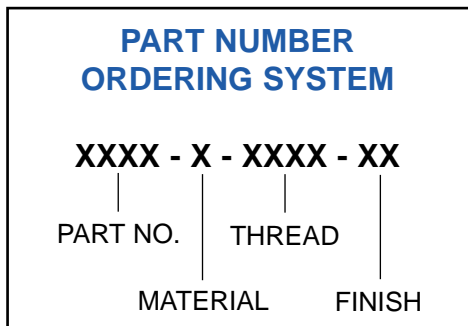
5 Pasco Hill Road • Cromwell, CT 06416-1093  
Phone: 860-828-0847 • Call Toll Free: 800-243-6032 • Fax: 860-828-0381  
Web Address: <http://www.amatom.com> • E-Mail: [sales@amatom.com](mailto:sales@amatom.com)

## STANDOFFS 3/8" ROUND • HEX • SQUARE



LENGTH	PART NO.		
	ROUND	HEX	SQUARE
5-1/4	8547	8606	8666
5-1/2	8548	8607	8667
5-3/4	8549	8608	8668
6	8550	8609	8669
6-1/4	8551	8610	8670
6-1/2	8552	8611	8671
6-3/4	8553	8612	8672
7	8554	8613	8673
7-1/4	8555	8614	8674
7-1/2	8556	8615	8675
7-3/4	8557	8616	8676
8	8558	8617	8677
8-1/4	8559	8618	8678
8-1/2	8560	8619	8679
8-3/4	8561	8620	8680
9	8562	8621	8681
9-1/4	8563	8622	8682
9-1/2	8564	8623	8683
9-3/4	8565	8624	8684
10	8566	8625	8685

Refer to page 4 for Thread Depth.  
Refer to page 8 for Finish Codes.  
For parts not listed contact sales office.



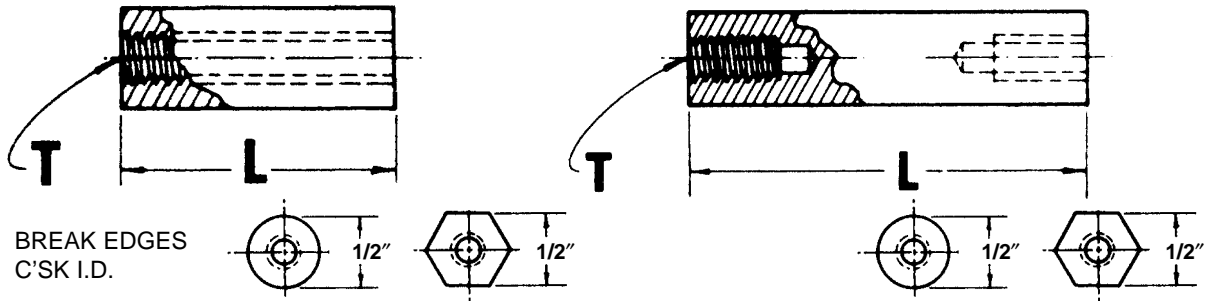
THREAD CODE	
THREAD	CODE
6-32	0632
8-32	0832
10-32	1032

MATERIAL	CODE
Aluminum	A
Brass	B
Stainless Steel	SS
Nylon	N
(square not available)	
†Phenolic	PH

†Phenolic - PH (Paper Base)

5 Pasco Hill Road • Cromwell, CT 06416-1093  
 Phone: 860-828-0847 • Call Toll Free: 800-243-6032 • Fax: 860-828-0381  
 Web Address: <http://www.amatom.com> • E-Mail: [sales@amatom.com](mailto:sales@amatom.com)

## STANDOFFS 1/2" ROUND • HEX



LENGTH	PART NO.	
	ROUND	HEX
1/8	8686	8745
3/16	8687	8746
1/4	8688	8747
5/16	8689	8748
3/8	8690	8749
7/16	8691	8750
1/2	8692	8751
9/16	8693	8752
5/8	8694	8753
3/4	8695	8754
7/8	8696	8755
1	8697	8756
1-1/16	8698	8757
1-1/8	8699	8758
1-3/16	8700	8759
1-1/4	8701	8760
1-5/16	8702	8761
1-3/8	8703	8762
1-7/16	8704	8763
1-1/2	8705	8764
1-9/16	8706	8765
1-5/8	8707	8766
1-3/4	8708	8767
1-7/8	8709	8768

LENGTH	PART NO.	
	ROUND	HEX
2	8710	8769
2-1/8	8711	8770
2-1/4	8712	8771
2-3/8	8713	8772
2-1/2	8714	8773
2-3/4	8715	8774
3	8716	8775
3-1/4	8717	8776
3-1/2	8718	8777
3-3/4	8719	8778
4	8720	8779
4-1/4	8721	8780
4-1/2	8722	8781
4-3/4	8723	8782
5	8724	8783
5-1/4	8725	8784
5-1/2	8726	8785
5-3/4	8727	8786
6	8728	8787
6-1/4	8729	8788
6-1/2	8730	8789
6-3/4	8731	8790
7	8732	8791
7-1/4	8733	8792

Refer to page 4 for Thread Depth.  
Refer to page 8 for Finish Codes.  
For parts not listed contact sales office.

### PART NUMBER ORDERING SYSTEM

XXXX - X - XXXX - XX

|                      |                      |                      |  
 PART NO.      THREAD                      MATERIAL                      FINISH

### THREAD CODE

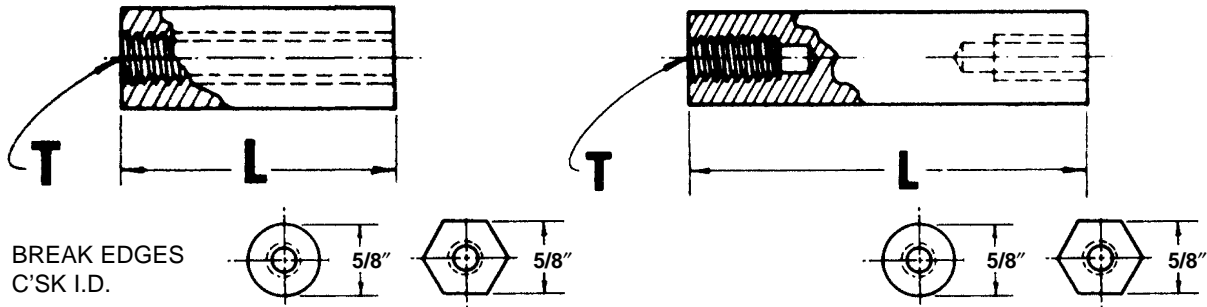
THREAD	CODE
8-32	0832
10-32	1032
12-24	1224
1/4-20	2520

MATERIAL	CODE
Aluminum	A
Brass	B
Stainless Steel	SS
Nylon	N
†Phenolic (round only)	PH

†Phenolic - PH (Paper Base)

5 Pasco Hill Road • Cromwell, CT 06416-1093  
 Phone: 860-828-0847 • Call Toll Free: 800-243-6032 • Fax: 860-828-0381  
 Web Address: <http://www.amatom.com> • E-Mail: [sales@amatom.com](mailto:sales@amatom.com)

## STANDOFFS 5/8" ROUND • HEX



LENGTH	PART NO.	
	ROUND	HEX
1/8	8863	8922
3/16	8864	8923
1/4	8865	8924
5/16	8866	8925
3/8	8867	8926
7/16	8868	8927
1/2	8869	8928
9/16	8870	8929
5/8	8871	8930
3/4	8872	8931
7/8	8873	8932
1	8874	8933
1-1/16	8875	8934
1-1/8	8876	8935
1-3/16	8877	8936
1-1/4	8878	8937
1-5/16	8879	8938
1-3/8	8880	8939
1-7/16	8881	8940
1-1/2	8882	8941

LENGTH	PART NO.	
	ROUND	HEX
1-9/16	8883	8942
1-5/8	8884	8943
1-3/4	8885	8944
1-7/8	8886	8945
2	8887	8946
2-1/8	8888	8947
2-1/4	8889	8948
2-3/8	8890	8949
2-1/2	8891	8950
2-3/4	8892	8951
3	8893	8952
3-1/4	8894	8953
3-1/2	8895	8954
3-3/4	8896	8955
4	8897	8956
4-1/4	8898	8957
4-1/2	8899	8958
4-3/4	8900	8959
5	8901	8960

Refer to page 4 for Thread Depth.  
Refer to page 8 for Finish Codes.  
For parts not listed contact sales office.

### PART NUMBER ORDERING SYSTEM

XXXX - X - XXXX - XX

PART NO.	THREAD	MATERIAL	FINISH
----------	--------	----------	--------

### THREAD CODE

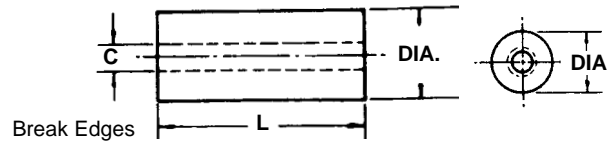
THREAD	CODE
10-32	1032
12-24	1224
1/4-20	2520
5/16-18	3118

MATERIAL	CODE
Aluminum	A
Brass	B
Stainless Steel	SS
Nylon	N
†Phenolic (round only)	PH

†Phenolic - PH (Paper Base)

5 Pasco Hill Road • Cromwell, CT 06416-1093  
Phone: 860-828-0847 • Call Toll Free: 800-243-6032 • Fax: 860-828-0381  
Web Address: <http://www.amatom.com> • E-Mail: [sales@amatom.com](mailto:sales@amatom.com)

## ROUND SPACERS



LENGTH	PART NO.					
	1/8" DIA	3/16" DIA	1/4" DIA	5/16" DIA	3/8" DIA	1/2" DIA
SCREW SIZE: NO.	2	2,4	2,4,6,8	4,6,8,10	6,8,10	6,8,10,12,14
1/8	9200	9207	9222	9284	9315	9253
3/16	9201	9208	9223	9285	9316	9254
1/4	9202	9209	9224	9286	9317	9255
5/16	9203	9210	9225	9287	9318	9256
3/8	9204	9211	9226	9288	9319	9257
7/16	9205	9212	9227	9289	9320	9258
1/2	9206	9213	9228	9290	9321	9259
9/16		9214	9229	9291	9322	9260
5/8		9215	9230	9292	9323	9261
11/16		9216	9231	9293	9324	9262
3/4		9217	9232	9294	9325	9263
13/16		9218	9233	9295	9326	9264
7/8		9219	9234	9296	9327	9265
15/16		9220	9235	9297	9328	9266
1		9221	9236	9298	9329	9267
1-1/16			9237	9299	9330	9268
1-1/8			9238	9300	9331	9269
1-3/16			9239	9301	9332	9270
1-1/4			9240	9302	9333	9271
1-5/16			9241	9303	9334	9272
1-3/8			9242	9304	9335	9273
1-7/16			9243	9305	9336	9274
1-1/2			9244	9306	9337	9275
1-9/16			9245	9307	9338	9276
1-5/8			9246	9308	9339	9277
1-11/16			9247	9309	9340	9278
1-3/4			9248	9310	9341	9279
1-13/16			9249	9311	9342	9280
1-7/8			9250	9312	9343	9281
1-15/16			9251	9313	9344	9282
2			9252	9314	9345	9283

Note: Maximum and minimum I.D. on all standard Amatom spacers will conform to clearance hole range Chart No. 4 shown on page 5.

Note: All spacers can be supplied in hex or square materials.

Refer to page 8 for Finish Codes.

Please contact sales office for parts not listed.

### PART NUMBER ORDERING SYSTEM

**XXXX - X - XXX - XX**

|  
 PART NO. | CLEARANCE HOLE CODE  
 |  
 MATERIAL | FINISH

### SCREW SIZE/I.D. CODE

No.	I.D.	Code	No.	I.D.	Code
2	.091	091	10	.194	194
4	.115	115	12	.219	219
6	.140	140	1/4	.257	257
8	.171	171			

MATERIAL	CODE
Aluminum	A
Brass	B
Steel	S
Stainless Steel	SS
Nylon	N
Phenolic (not available in 1/8")	PH

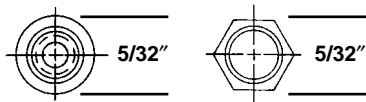
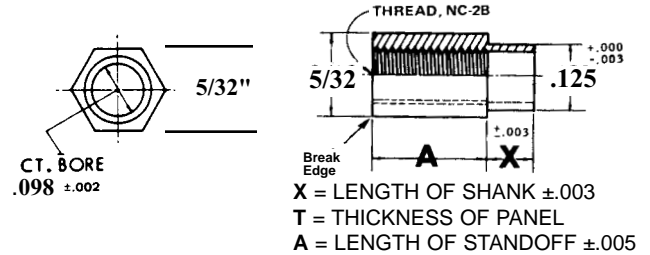
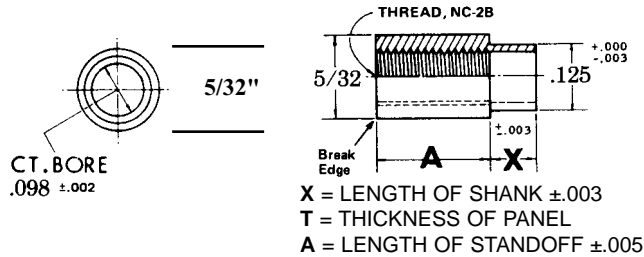
5 Pasco Hill Road • Cromwell, CT 06416-1093  
 Phone: 860-828-0847 • Call Toll Free: 800-243-6032 • Fax: 860-828-0381  
 Web Address: <http://www.amatom.com> • E-Mail: [sales@amatom.com](mailto:sales@amatom.com)

## SWAGE TYPE ROUND • HEX STANDOFFS 5/32"

All Swage type standoffs through 1" long can be supplied as a swage type spacer. Pick out the diameter, length and swage you need; find the part number and change the thread to hole size. Example: You need a 1/4 OD brass x 1/2 long body for a 1/16 board with clearance for a no. 6 screw. Standard part number is 9537B-B-0632. Change part number to 9537B-B-140.

Use chart on page 5 to determine correct clearance hole code

Please Note: Selected Hole size cannot be larger than counterbore diameter.

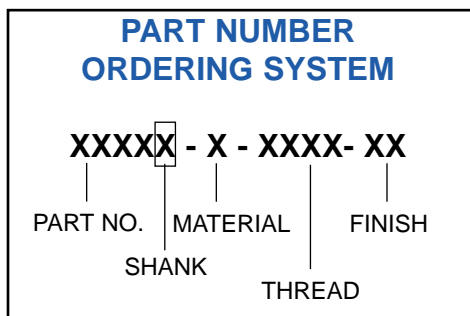


A Length	Part No.	
	Round	Hex
1/8	<b>9505</b>	<b>9598</b>
3/16	<b>9506</b>	<b>9599</b>
1/4	<b>9507</b>	<b>9600</b>
5/16	<b>9508</b>	<b>9601</b>
3/8	<b>9509</b>	<b>9602</b>
7/16	<b>9510</b>	<b>9603</b>
1/2	<b>9511</b>	<b>9604</b>
9/16	<b>9512</b>	<b>9605</b>
5/8	<b>9513</b>	<b>9606</b>
11/16	<b>9514</b>	<b>9607</b>
3/4	<b>9515</b>	<b>9608</b>
7/8	<b>9516</b>	<b>9609</b>
1	<b>9517</b>	<b>9610</b>

Round Swage Tooling		
Punch	Anvil	Body Length
PSP 638	PSA 139-1	1/8-3/16
	139-2	1/4-7/16
	139-3	1/2-11/16
	139-4	3/4-1"

Hex Swage Tooling		
Punch	Anvil	Body Length
PSP 638	PSA 139-1H	1/8-3/16
	139-2H	1/4-7/16
	139-3H	1/2-11/16
	139-4H	3/4-1"

Refer to page 4 for Thread Depth.  
Refer to page 7 for installation instructions.  
Refer to page 8 for Finish Codes.  
For parts not listed contact sales office.



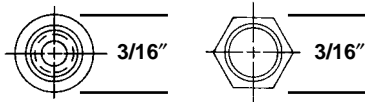
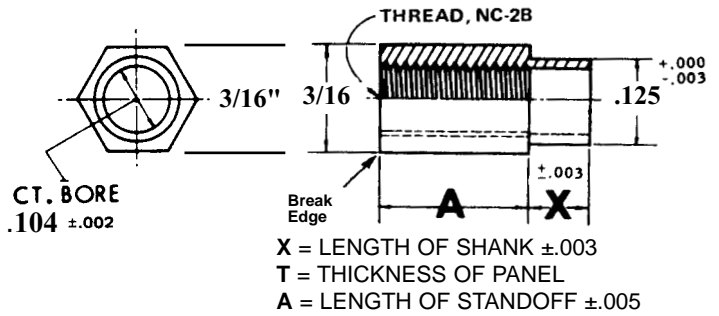
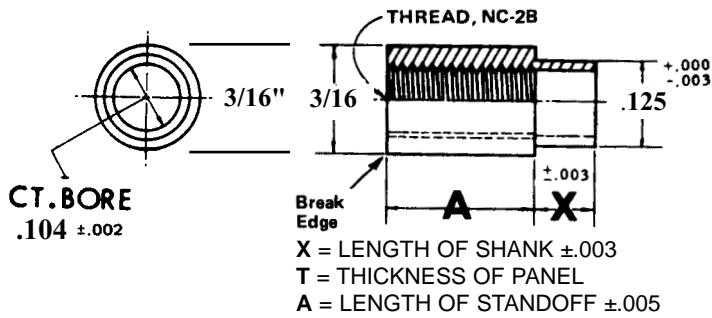
SHANK/BOARD THICKNESS CODE		
X Shank ±.003	T Board Thickness	Code
.075	1/32	<b>A</b>
.105	1/16	<b>B</b>
.135	3/32	<b>C</b>
.165	1/8	<b>D</b>
.230	3/16	<b>E</b>
.290	1/4	<b>F</b>

MATERIAL	CODE
Aluminum	<b>A</b>
Brass	<b>B</b>
Steel	<b>S</b>
Stainless Steel	<b>SS</b>

THREAD CODE	
THREAD	CODE
2-56	<b>0256</b>

5 Pasco Hill Road • Cromwell, CT 06416-1093  
Phone: 860-828-0847 • Call Toll Free: 800-243-6032 • Fax: 860-828-0381  
Web Address: <http://www.amatom.com> • E-Mail: [sales@amatom.com](mailto:sales@amatom.com)

## SWAGE TYPE ROUND • HEX STANDOFFS 3/16" - .125 SHANK



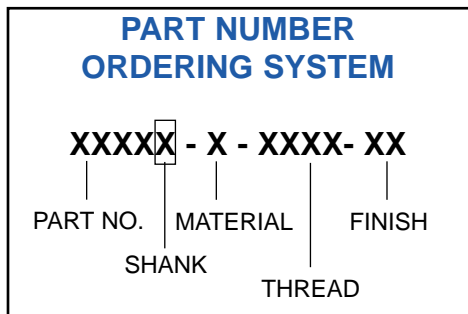
A Length	Part No.	
	Round	Hex
1/8	9687	9696
3/16	9688	9697
1/4	9689	9698
5/16	9690	9699
3/8	9691	9700
1/2	9692	9701
5/8	9693	9702
3/4	9694	9703
1	9695	9704

Note: For swage type spacer see code page 21.

Round Swage Tooling		
Punch	Anvil	Body Length
PSP 638	PSA 201-1	1/8-3/16
	201-2	1/4-7/16
	201-3	1/2-11/16
	201-4	3/4-1"

Hex Swage Tooling		
Punch	Anvil	Body Length
PSP 638	PSA 201-1H	1/8-3/16
	201-2H	1/4-7/16
	201-3H	1/2-11/16
	201-4H	3/4-1"

Refer to page 4 for Thread Depth.  
Refer to page 7 for installation instructions.  
Refer to page 8 for Finish Codes.  
For parts not listed contact sales office.



SHANK/BOARD THICKNESS CODE		
X Shank ±.003	T Board Thickness	Code
.075	1/32	A
.105	1/16	B
.135	3/32	C
.165	1/8	D
.230	3/16	E
.290	1/4	F

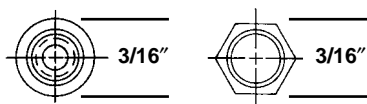
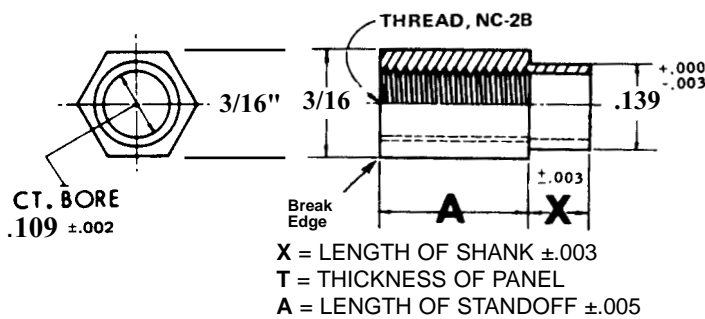
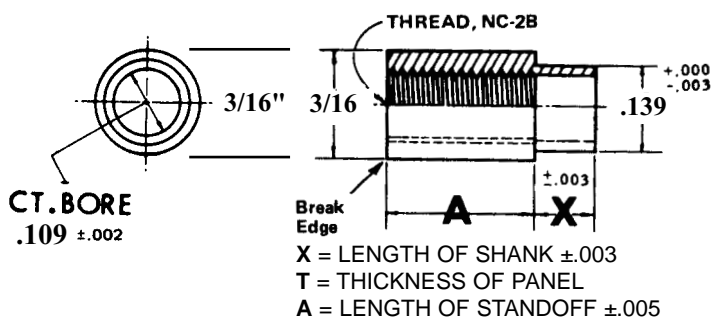
MATERIAL	CODE
Aluminum	A
Brass	B
Steel	S
Stainless Steel	SS

THREAD CODE	
THREAD	CODE
2-56	0256
3-48	0348

5 Pasco Hill Road • Cromwell, CT 06416-1093  
Phone: 860-828-0847 • Call Toll Free: 800-243-6032 • Fax: 860-828-0381  
Web Address: <http://www.amatom.com> • E-Mail: [sales@amatom.com](mailto:sales@amatom.com)



## SWAGE TYPE ROUND • HEX STANDOFFS 3/16" - .139 SHANK



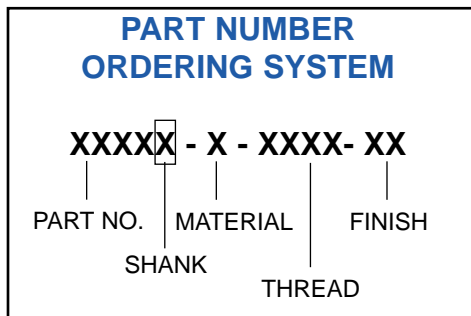
A Length	Part No.	
	Round	Hex
1/8	<b>9518</b>	<b>9611</b>
3/16	<b>9519</b>	<b>9612</b>
1/4	<b>9520</b>	<b>9613</b>
5/16	<b>9521</b>	<b>9614</b>
3/8	<b>9522</b>	<b>9615</b>
7/16	<b>9523</b>	<b>9616</b>
1/2	<b>9524</b>	<b>9617</b>
9/16	<b>9525</b>	<b>9618</b>
5/8	<b>9526</b>	<b>9619</b>
11/16	<b>9527</b>	<b>9620</b>
3/4	<b>9528</b>	<b>9621</b>
7/8	<b>9529</b>	<b>9622</b>
1	<b>9530</b>	<b>9623</b>

Note: For swage type spacer see code page 21.

Round Swage Tooling		
Punch	Anvil	Body Length
PSP 607	PSA 201-1	1/8-3/16
	201-2	1/4-7/16
	201-3	1/2-11/16
	201-4	3/4-1"

Hex Swage Tooling		
Punch	Anvil	Body Length
PSP 607	PSA 201-1H	1/8-3/16
	201-2H	1/4-7/16
	201-3H	1/2-11/16
	201-4H	3/4-1"

Refer to page 4 for Thread Depth.  
Refer to page 7 for installation instructions.  
Refer to page 8 for Finish Codes.  
For parts not listed contact sales office.



SHANK/BOARD THICKNESS CODE		
X Shank ±.003	T Board Thickness	Code
.075	1/32	<b>A</b>
.105	1/16	<b>B</b>
.135	3/32	<b>C</b>
.165	1/8	<b>D</b>
.230	3/16	<b>E</b>
.290	1/4	<b>F</b>

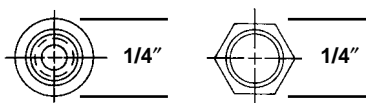
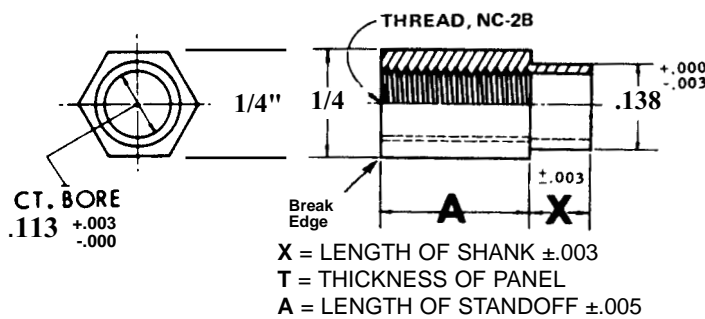
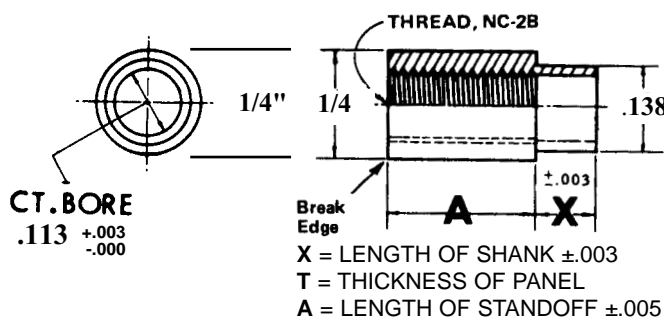
MATERIAL	CODE
Aluminum	<b>A</b>
Brass	<b>B</b>
Steel	<b>S</b>
Stainless Steel	<b>SS</b>

THREAD CODE	
THREAD	CODE
2-56	<b>0256</b>
3-48	<b>0348</b>

5 Pasco Hill Road • Cromwell, CT 06416-1093  
Phone: 860-828-0847 • Call Toll Free: 800-243-6032 • Fax: 860-828-0381  
Web Address: <http://www.amatom.com> • E-Mail: [sales@amatom.com](mailto:sales@amatom.com)

## SWAGE TYPE ROUND • HEX STANDOFFS 1/4" - .138 SHANK

SWAGE STANDOFFS



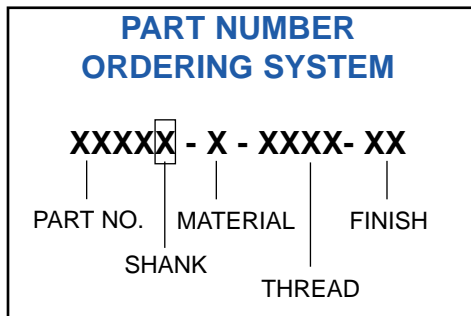
A Length	Part No.	
	Round	Hex
1/8	9705	9714
3/16	9706	9715
1/4	9707	9716
5/16	9708	9717
3/8	9709	9718
1/2	9710	9719
5/8	9711	9720
3/4	9712	9721
1	9713	9722

Note: For swage type spacer see code page 21.

Round Swage Tooling		
Punch	Anvil	Body Length
PSP 607	PSA 110-1	1/8-3/16
	110-2	1/4-7/16
	110-3	1/2-11/16
	110-4	3/4-1"

Hex Swage Tooling		
Punch	Anvil	Body Length
PSP 607	PSA 110-1H	1/8-3/16
	110-2H	1/4-7/16
	110-3H	1/2-11/16
	110-4H	3/4-1"

Refer to page 4 for Thread Depth.  
 Refer to page 7 for installation instructions.  
 Refer to page 8 for Finish Codes.  
 For parts not listed contact sales office.



SHANK/BOARD THICKNESS CODE		
X Shank ±.003	T Board Thickness	Code
.075	1/32	A
.105	1/16	B
.135	3/32	C
.165	1/8	D
.230	3/16	E
.290	1/4	F

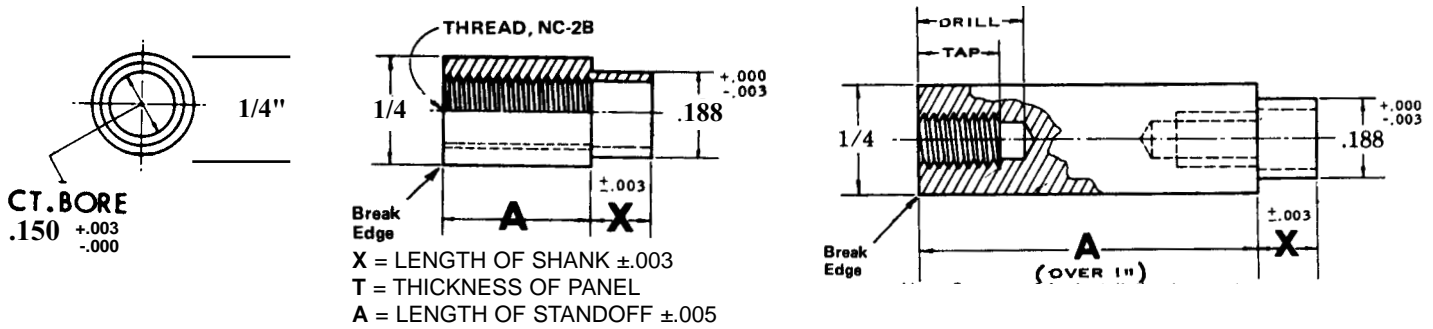
MATERIAL	CODE
Aluminum	A
Brass	B
Steel	S
Stainless Steel	SS

THREAD CODE	
THREAD	CODE
2-56	0256
4-40*	0440

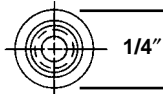
\*We do not recommend this size thread in this part.

**5 Pasco Hill Road • Cromwell, CT 06416-1093**  
**Phone: 860-828-0847 • Call Toll Free: 800-243-6032 • Fax: 860-828-0381**  
**Web Address: <http://www.amatom.com> • E-Mail: [sales@amatom.com](mailto:sales@amatom.com)**

## SWAGE TYPE ROUND STANDOFFS 1/4" - .188 SHANK

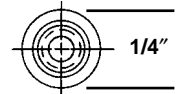


Length under 1"



A Length	Part No. Round
1/8	9531
3/16	9532
1/4	9533
5/16	9534
3/8	9535
7/16	9536
1/2	9537
9/16	9538
5/8	9539
11/16	9540
3/4	9541
13/16	9542
7/8	9543
15/16	9544
1	9545

Length over 1"



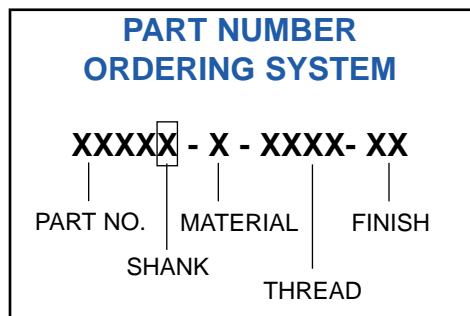
A Length	Part No. Round
1-1/8	9546
1-1/4	9547
1-3/8	9548
1-1/2	9549
1-3/4	9550
2	9551

Round Swage Tooling		
Punch	Anvil	Body Length
PSP 612	PSA 110-1	1/8-3/16
	110-2	1/4-7/16
	110-3	1/2-11/16
	110-4	3/4-2"

Refer to page 4 for Thread Depth.  
Refer to page 7 for installation instructions.  
Refer to page 8 for Finish Codes.  
For parts not listed contact sales office.

Note: For swage type spacer see code page 21.

	Drill	Tap
4-40	11/32"	1/4"
6-32	1/2"	3/8"



SHANK/BOARD THICKNESS CODE		
X Shank $\pm.003$	T Board Thickness	Code
.075	1/32	A
.105	1/16	B
.135	3/32	C
.165	1/8	D
.230	3/16	E
.290	1/4	F

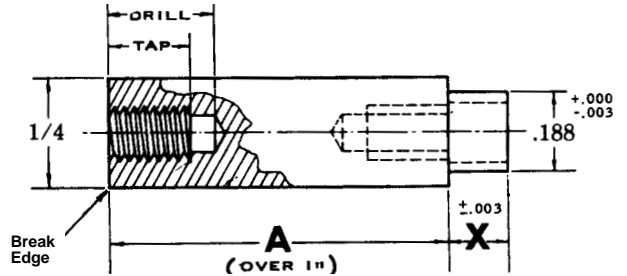
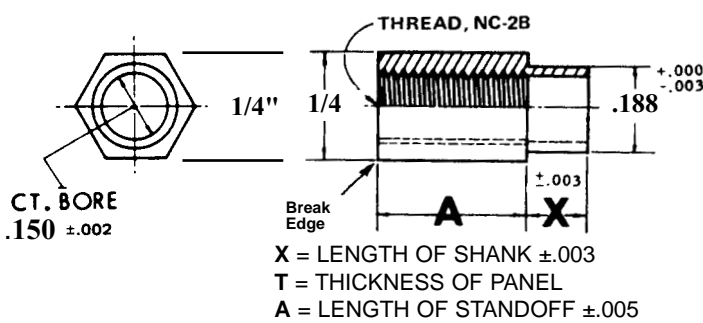
MATERIAL	CODE
Aluminum	A
Brass	B
Steel	S
Stainless Steel	SS

THREAD CODE	
THREAD	CODE
4-40	0440
6-32	0632

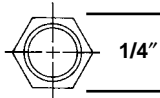
5 Pasco Hill Road • Cromwell, CT 06416-1093  
Phone: 860-828-0847 • Call Toll Free: 800-243-6032 • Fax: 860-828-0381  
Web Address: <http://www.amatom.com> • E-Mail: [sales@amatom.com](mailto:sales@amatom.com)

## SWAGE TYPE HEXAGON STANDOFFS 1/4" - .188 SHANK

SWAGE STANDOFFS

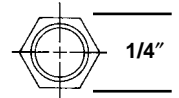


### Length under 1"



A Length	Part No. Hex
1/8	9624
3/16	9625
1/4	9626
5/16	9627
3/8	9628
7/16	9629
1/2	9630
9/16	9631
5/8	9632
11/16	9633
3/4	9634
13/16	9635
7/8	9636
15/16	9637
1	9638

### Length over 1"



A Length	Part No. Hex
1-1/8	9639
1-1/4	9640
1-3/8	9641
1-1/2	9642
1-3/4	9643
2	9644

Hex Swage Tooling		
Punch	Anvil	Body Length
PSP 612	PSA 110-1H	1/8-3/16
	110-2H	1/4-7/16
	110-3H	1/2-11/16
	110-4H	3/4-2"

Refer to page 4 for Thread Depth.  
Refer to page 7 for installation instructions.  
Refer to page 8 for Finish Codes.  
For parts not listed contact sales office.

Note: For swage type spacer see code page 21.

	Drill	Tap
4-40	11/32"	1/4"
6-32	1/2"	3/8"

Note: Available in smaller thread size than shown. On special order only.

### PART NUMBER ORDERING SYSTEM

XXXXX - X - XXXX - XX

PART NO.    MATERIAL    FINISH  
SHANK                      THREAD

### SHANK/BOARD THICKNESS CODE

X Shank ±.003	T Board Thickness	Code
.075	1/32	A
.105	1/16	B
.135	3/32	C
.165	1/8	D
.230	3/16	E
.290	1/4	F

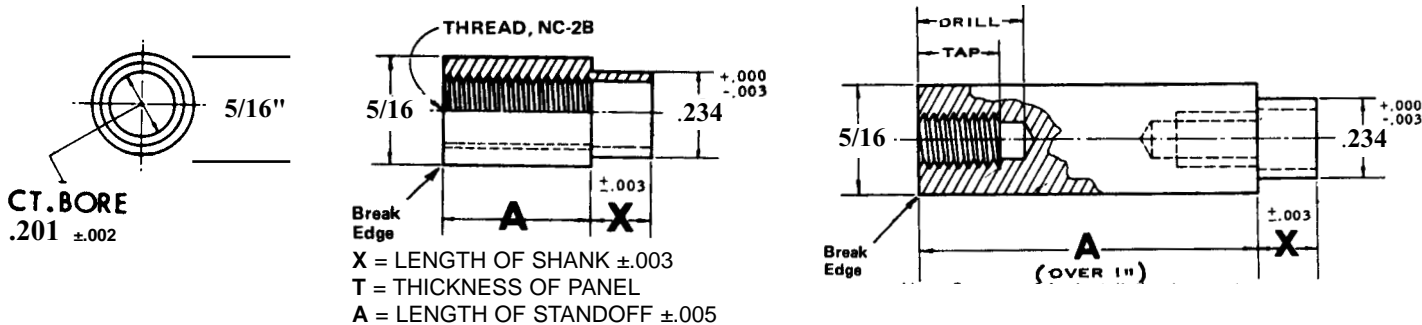
MATERIAL	CODE
Aluminum	A
Brass	B
Steel	S
Stainless Steel	SS

### THREAD CODE

THREAD	CODE
4-40	0440
6-32	0632

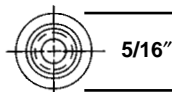
5 Pasco Hill Road • Cromwell, CT 06416-1093  
Phone: 860-828-0847 • Call Toll Free: 800-243-6032 • Fax: 860-828-0381  
Web Address: <http://www.amatom.com> • E-Mail: [sales@amatom.com](mailto:sales@amatom.com)

## SWAGE TYPE ROUND STANDOFFS 5/16"



Length under 1"

Length over 1"



A Length	Part No. Round
1/8	9552
3/16	9553
1/4	9554
5/16	9555
3/8	9556
7/16	9557
1/2	9558
9/16	9559
5/8	9560
11/16	9561
3/4	9562
13/16	9563
7/8	9564
15/16	9565
1	9566

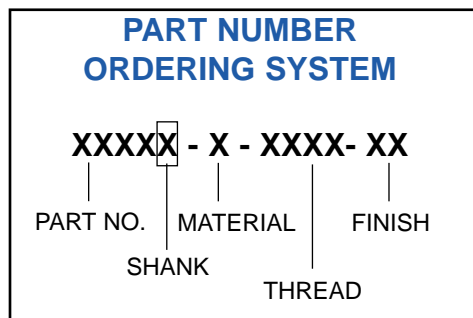
Round Swage Tooling		
Punch	Anvil	Body Length
PSP 675	PSA 202-1	1/8-3/16
	202-2	1/4-7/16
	202-3	1/2-11/16
	202-4	3/4-2"

Refer to page 4 for Thread Depth.  
 Refer to page 7 for installation instructions.  
 Refer to page 8 for Finish Codes.  
 For parts not listed contact sales office.

A Length	Part No. Round
1-1/8	9567
1-1/4	9568
1-3/8	9569
1-1/2	9570
1-3/4	9571
2	9572

Note: For swage type spacer see code page 21.

	Drill	Tap
6-32	1/2"	3/8"
8-32	9/16"	7/16"
10-32	5/8"	1/2"



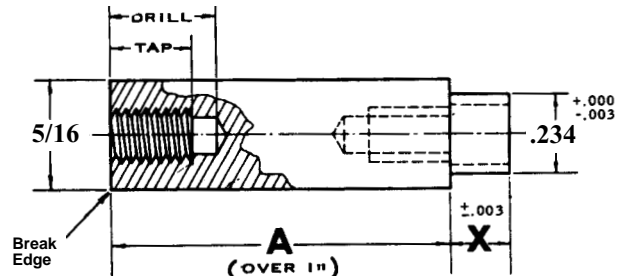
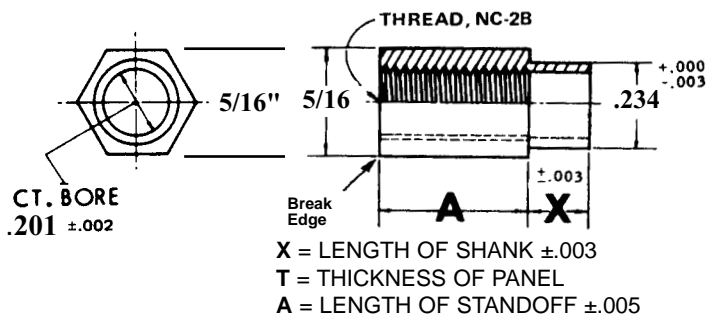
SHANK/BOARD THICKNESS CODE		
X Shank $\pm.003$	T Board Thickness	Code
.075	1/32	A
.105	1/16	B
.135	3/32	C
.165	1/8	D
.230	3/16	E
.290	1/4	F

MATERIAL	CODE
Aluminum	A
Brass	B
Steel	S
Stainless Steel	SS

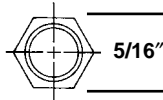
THREAD CODE	
THREAD	CODE
6-32	0632
8-32	0832

5 Pasco Hill Road • Cromwell, CT 06416-1093  
 Phone: 860-828-0847 • Call Toll Free: 800-243-6032 • Fax: 860-828-0381  
 Web Address: <http://www.amatom.com> • E-Mail: [sales@amatom.com](mailto:sales@amatom.com)

## SWAGE TYPE HEXAGON STANDOFFS 5/16"

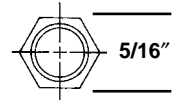


### Length under 1"



A Length	Part No. Hex
1/8	9645
3/16	9646
1/4	9647
5/16	9648
3/8	9649
7/16	9650
1/2	9651
9/16	9652
5/8	9653
11/16	9654
3/4	9655
13/16	9656
7/8	9657
15/16	9658
1	9659

### Length over 1"



A Length	Part No. Hex
1-1/8	9660
1-1/4	9661
1-3/8	9662
1-1/2	9663
1-3/4	9664
2	9665

Hex Swage Tooling		
Punch	Anvil	Body Length
PSP 675	PSA 202-1H	1/8-3/16
	202-2H	1/4-7/16
	202-3H	1/2-11/16
	202-4H	3/4-2"

Refer to page 4 for Thread Depth.  
Refer to page 7 for installation instructions.  
Refer to page 8 for Finish Codes.  
For parts not listed contact sales office.

Note: For swage type spacer see code page 21.

	Drill	Tap
6-32	1/2"	3/8"
8-32	9/16"	7/16"
10-32	5/8"	1/2"

### PART NUMBER ORDERING SYSTEM

XXXXX - X - XXXX - XX

PART NO. | MATERIAL | FINISH  
SHANK | THREAD

### SHANK/BOARD THICKNESS CODE

X Shank ±.003	T Board Thickness	Code
.075	1/32	A
.105	1/16	B
.135	3/32	C
.165	1/8	D
.230	3/16	E
.290	1/4	F

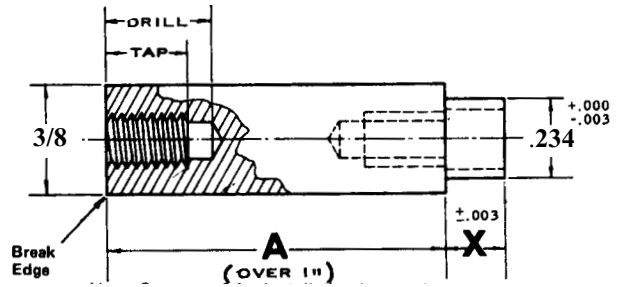
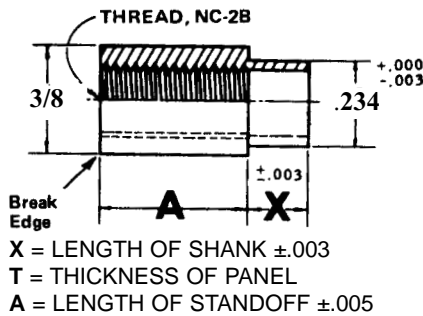
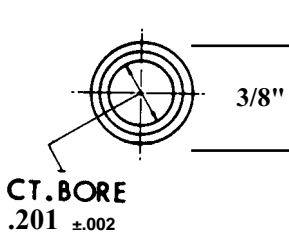
MATERIAL	CODE
Aluminum	A
Brass	B
Steel	S
Stainless Steel	SS

### THREAD CODE

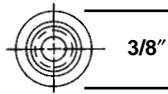
THREAD	CODE
6-32	0632
8-32	0832

5 Pasco Hill Road • Cromwell, CT 06416-1093  
Phone: 860-828-0847 • Call Toll Free: 800-243-6032 • Fax: 860-828-0381  
Web Address: <http://www.amatom.com> • E-Mail: [sales@amatom.com](mailto:sales@amatom.com)

## SWAGE TYPE ROUND STANDOFFS 3/8"



### Length under 1"

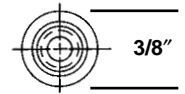


A Length	Part No. Round
1/8	9573
3/16	9574
1/4	9575
5/16	9576
3/8	9577
1/2	9578
9/16	9579
5/8	9580
11/16	9581
3/4	9582
13/16	9583
7/8	9584
15/16	9585
1	9586

Round Swage Tooling		
Punch	Anvil	Body Length
PSP 675	PSA 189-1	1/8-3/16
	189-2	1/4-7/16
	189-3	1/2-11/16
	189-4	3/4-2"

Refer to page 4 for Thread Depth.  
 Refer to page 7 for installation instructions.  
 Refer to page 8 for Finish Codes.  
 For parts not listed contact sales office.

### Length over 1"

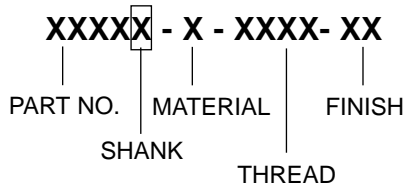


A Length	Part No. Round
1-1/8	9587
1-1/4	9588
1-3/8	9589
1-1/2	9590
1-3/4	9591
2	9592

Note: For swage type spacer see code page 21.

	Drill	Tap
6-32	1/2"	3/8"
8-32	9/16"	7/16"
10-32	5/8"	1/2"

### PART NUMBER ORDERING SYSTEM



### SHANK/BOARD THICKNESS CODE

X Shank ±.003	T Board Thickness	Code
.075	1/32	A
.105	1/16	B
.135	3/32	C
.165	1/8	D
.230	3/16	E
.290	1/4	F

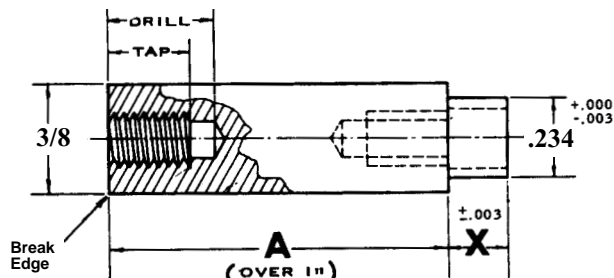
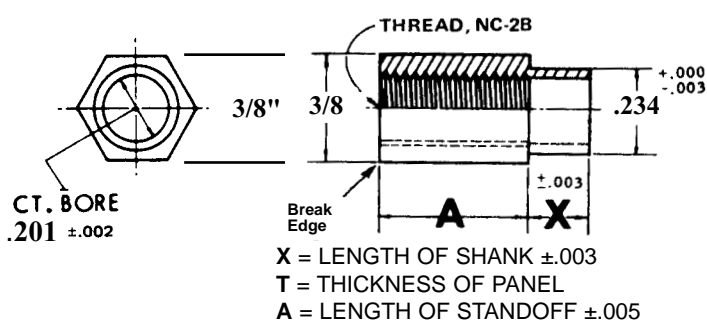
MATERIAL	CODE
Aluminum	A
Brass	B
Steel	S
Stainless Steel	SS

### THREAD CODE

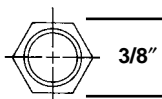
THREAD	CODE
6-32	0632
8-32	0832
10-32	1032

5 Pasco Hill Road • Cromwell, CT 06416-1093  
 Phone: 860-828-0847 • Call Toll Free: 800-243-6032 • Fax: 860-828-0381  
 Web Address: <http://www.amatom.com> • E-Mail: [sales@amatom.com](mailto:sales@amatom.com)

## SWAGE TYPE HEXAGON STANDOFFS 3/8"

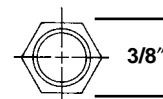


### Length under 1"



A Length	Part No. Hex
1/8	9666
3/16	9667
1/4	9668
5/16	9669
3/8	9670
7/16	9671
1/2	9672
9/16	9673
5/8	9674
11/16	9675
3/4	9676
13/16	9677
7/8	9678
15/16	9679
1	9680

### Length over 1"



A Length	Part No. Hex
1-1/8	9681
1-1/4	9682
1-3/8	9683
1-1/2	9684
1-3/4	9685
2	9686

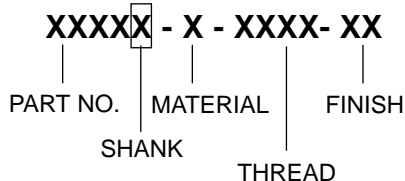
Hex Swage Tooling		
Punch	Anvil	Body Length
PSP 675	PSA 189H-1	1/8-3/16
	189H-2	1/4-7/16
	189H-3	1/2-11/16
	189H-4	3/4-2"

Refer to page 4 for Thread Depth.  
Refer to page 7 for installation instructions.  
Refer to page 8 for Finish Codes.  
For parts not listed contact sales office.

Note: For swage type spacer see code page 21.

	Drill	Tap
6-32	1/2"	3/8"
8-32	9/16"	7/16"
10-32	5/8"	1/2"

### PART NUMBER ORDERING SYSTEM



### SHANK/BOARD THICKNESS CODE

X Shank ±.003	T Board Thickness	Code
.075	1/32	A
.105	1/16	B
.135	3/32	C
.165	1/8	D
.230	3/16	E
.290	1/4	F

MATERIAL	CODE
Aluminum	A
Brass	B
Steel	S
Stainless Steel	SS

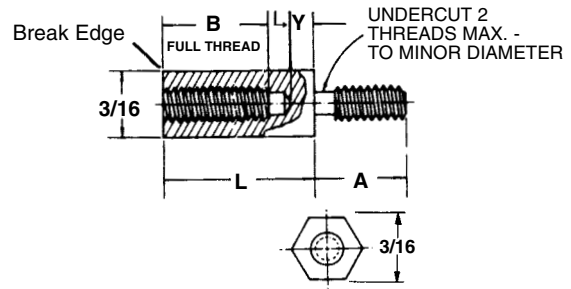
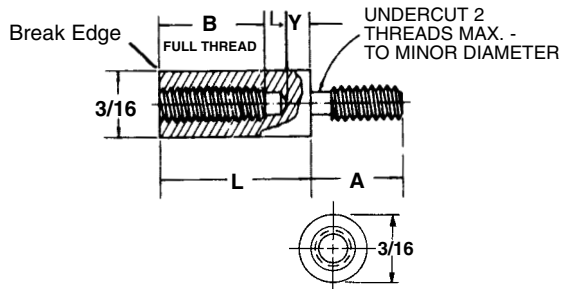
### THREAD CODE

THREAD	CODE
6-32	0632
8-32	0832
10-32	1032

5 Pasco Hill Road • Cromwell, CT 06416-1093  
Phone: 860-828-0847 • Call Toll Free: 800-243-6032 • Fax: 860-828-0381  
Web Address: <http://www.amatom.com> • E-Mail: [sales@amatom.com](mailto:sales@amatom.com)



## 3/16" ROUND • HEX STANDOFFS MALE-FEMALE



Length	Part No. Round
3/16	9780
1/4	9781
5/16	9782
3/8	9783
7/16	9784
1/2	9785
9/16	9786
5/8	9787
11/16	9788
3/4	9789
13/16	9790
7/8	9791
15/16	9792
1	9793

Length	Part No. Hex
3/16	9723
1/4	9724
5/16	9725
3/8	9726
7/16	9727
1/2	9728
9/16	9729
5/8	9730
11/16	9731
3/4	9732
13/16	9733
7/8	9734
15/16	9735
1	9736

Refer to page 8 for Finish Codes.

For parts not listed contact sales office.

Available in other materials, threads, and lengths.

### PART NUMBER ORDERING SYSTEM

**XXXX - X - XXXX - XX**

PART NO. | THREAD | MATERIAL | FINISH

IF MALE AND FEMALE THREADS ARE DIFFERENT

**XXXX - X - XXXX - XXXX - XX**

PART NO. | MALE THD. | FEMALE THD. | MATERIAL | FINISH

### CHART A

THREAD	A	B	Y
2-56	5/32	3/16	.032
4-40	3/16	1/4	.032
6-32	1/4	3/8	.039

### CHART B

DIM "L"	ROUND P/N	HEX P/N	THREAD	"B" MIN	APPROX NO. OF THDS MIN.
3/16	9780	9723	2-56	.077	4.25
			4-40	.070	2.50
1/4	9781	9724	2-56	.140	7.50
			4-40	.133	5.25
5/16	9782	9725	4-40	.195	7.75

Y=.032 MIN

Reference Chart B for shorter length.

### THREAD CODE

THREAD	CODE
2-56	0256
4-40	0440
6-32	0632

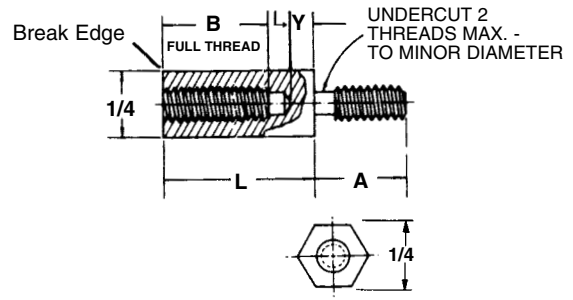
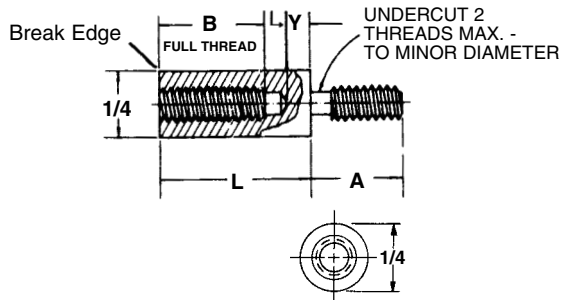
NOTE: 2-56 thread size in nylon not available as standard. Special order only.

### MATERIAL

MATERIAL	CODE
Aluminum	A
Brass	B
Steel	S
Stainless Steel	SS
Nylon (available in 4-40 only)	N

5 Pasco Hill Road • Cromwell, CT 06416-1093  
 Phone: 860-828-0847 • Call Toll Free: 800-243-6032 • Fax: 860-828-0381  
 Web Address: <http://www.amatom.com> • E-Mail: [sales@amatom.com](mailto:sales@amatom.com)

## 1/4" ROUND • HEX STANDOFFS MALE-FEMALE



Length	Part No. Round
1/4	9794
3/8	9795
1/2	9796
5/8	9797
3/4	9798
7/8	9799
1	9800
1-1/8	9801
1-1/4	9802
1-3/8	9803
1-1/2	9804
1-5/8	9805
1-3/4	9806
1-7/8	9807
2	9808

Length	Part No. Hex
1/4	9737
3/8	9738
1/2	9739
5/8	9740
3/4	9741
7/8	9742
1	9743
1-1/8	9744
1-1/4	9745
1-3/8	9746
1-1/2	9747
1-5/8	9748
1-3/4	9749
1-7/8	9750
2	9751

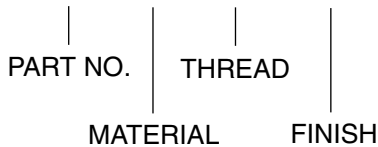
Refer to page 8 for Finish Codes.

For parts not listed contact sales office.

Available in other materials, threads, and lengths.

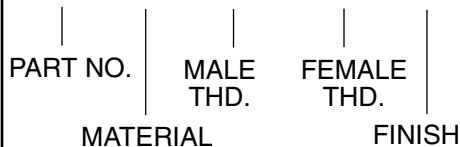
### PART NUMBER ORDERING SYSTEM

**XXXX - X - XXXX - XX**



IF MALE AND FEMALE THREADS ARE DIFFERENT

**XXXX - X - XXXX - XXXX - XX**



### CHART A

THREAD	A	B	Y
2-56	5/32	3/16	.032
4-40	3/16	1/4	.032
6-32	1/4	3/8	.039
8-32	3/8	7/16	.053

Y=.032 MIN  
Reference Chart B for shorter length.

### CHART B

DIM "L"	ROUND P/N	HEX P/N	THREAD	"B" MIN	APPROX NO. OF THDS MIN.
5/16	9794		4-40	.133	5.25
			6-32	.104	3.25
			8-32	.090	2.75
1/4		9737	4-40	.133	5.25
			6-32	.104	3.25
			8-32	.090	2.75
3/8	9795	9738	6-32	.229	7.00
			8-32	.215	6.50
1/2	9796	9739	6-32	.346	11.00
			8-32	.340	10.50

### THREAD CODE

THREAD	CODE
2-56	0256
4-40	0440
6-32	0632
8-32	0832

NOTE: 2-56 thread size in nylon not available as standard. Special order only.

### MATERIAL

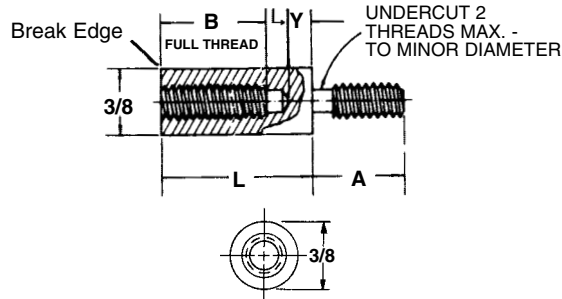
MATERIAL	CODE
Aluminum	A
Brass	B
Steel	S
Stainless Steel	SS
Nylon	N

5 Pasco Hill Road • Cromwell, CT 06416-1093

Phone: 860-828-0847 • Call Toll Free: 800-243-6032 • Fax: 860-828-0381

Web Address: <http://www.amatom.com> • E-Mail: [sales@amatom.com](mailto:sales@amatom.com)

## 3/8" ROUND STANDOFFS MALE-FEMALE



Length	Part No.	Length	Part No.
1/4	<b>9809</b>	2	<b>9823</b>
3/8	<b>9810</b>	2-1/4	<b>9824</b>
1/2	<b>9811</b>	2-1/2	<b>9825</b>
5/8	<b>9812</b>	2-3/4	<b>9826</b>
3/4	<b>9813</b>	3	<b>9827</b>
7/8	<b>9814</b>	3-1/4	<b>9828</b>
1	<b>9815</b>	3-1/2	<b>9829</b>
1-1/8	<b>9816</b>	3-3/4	<b>9830</b>
1-1/4	<b>9817</b>	4	<b>9831</b>
1-3/8	<b>9818</b>	4-1/4	<b>9832</b>
1-1/2	<b>9819</b>	4-1/2	<b>9833</b>
1-5/8	<b>9820</b>	4-3/4	<b>9834</b>
1-3/4	<b>9821</b>	5	<b>9835</b>
1-7/8	<b>9822</b>	6	<b>9836</b>

Refer to page 8 for Finish Codes.

For parts not listed contact sales office.

Available in other materials, threads, and lengths.

### PART NUMBER ORDERING SYSTEM

**XXXX - X - XXXX - XX**

PART NO.	THREAD	MATERIAL	FINISH
----------	--------	----------	--------

IF MALE AND FEMALE THREADS ARE DIFFERENT

**XXXX - X - XXXX - XXXX- XX**

PART NO.	MALE THD.	FEMALE THD.	FINISH
MATERIAL			FINISH

CHART A				
THREAD	A	B	Y	
4-40	3/16	1/4	.032	
6-32	1/4	3/8	.039	
8-32	3/8	7/16	.053	
10-32	3/8	1/2	.065	

Y=.032 MIN  
Reference Chart B for shorter length.

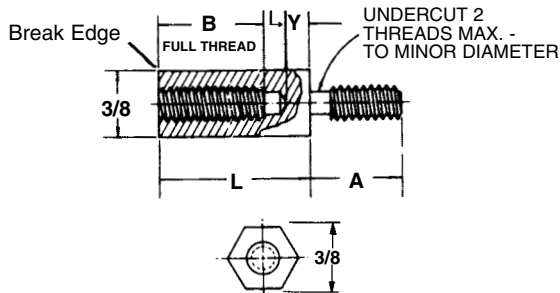
THREAD CODE	
THREAD	CODE
4-40	<b>0440</b>
6-32	<b>0632</b>
8-32	<b>0832</b>
10-32	<b>1032</b>

NOTE: 2-56 thread size in nylon not available as standard. Special order only.

CHART B				APPROX NO. OF THDS MIN.
DIM "L"	ROUND P/N	THREAD	"B" MIN	
1/4	9809	4-40	.133	5.25
		6-32	.104	3.25
		8-32	.090	2.75
3/8	9810	10-32	.078	2.25
		6-32	.229	7.00
		8-32	.215	6.50
1/2	9811	10-32	.203	6.25
		6-32	.346	11.00
		8-32	.340	10.50
5/8	9812	10-32	.328	10.25
		10-32	.453	14.00

MATERIAL	CODE
Aluminum	<b>A</b>
Brass	<b>B</b>
Steel	<b>S</b>
Stainless Steel	<b>SS</b>
Nylon	<b>N</b>

## 3/8" HEXAGON STANDOFFS MALE-FEMALE



Length	Part No.	Length	Part No.
1/4	9752	2	9766
3/8	9753	2-1/4	9767
1/2	9754	2-1/2	9768
5/8	9755	2-3/4	9769
3/4	9756	3	9770
7/8	9757	3-1/4	9771
1	9758	3-1/2	9772
1-1/8	9759	3-3/4	9773
1-1/4	9760	4	9774
1-3/8	9761	4-1/4	9775
1-1/2	9762	4-1/2	9776
1-5/8	9763	4-3/4	9777
1-3/4	9764	5	9778
1-7/8	9765	6	9779

Refer to page 8 for Finish Codes.

For parts not listed contact sales office.

Available in other materials, threads, and lengths.

CHART A				
THREAD	A	B	Y	
4-40	3/16	1/4	.032	
6-32	1/4	3/8	.039	
8-32	3/8	7/16	.053	
10-32	3/8	1/2	.065	

Y=.032 MIN  
Reference Chart B for shorter length.

CHART B				APPROX NO. OF THDS MIN.
DIM "L"	HEX P/N	THREAD	"B" MIN	
1/4	9752	4-40	.133	5.25
		6-32	.104	3.25
		8-32	.090	2.75
3/8	9753	10-32	.078	2.25
		6-32	.229	7.00
		8-32	.215	6.50
1/2	9754	10-32	.203	6.25
		6-32	.346	11.00
		8-32	.340	10.50
5/8	9755	10-32	.328	10.25
		10-32	.453	14.00

**PART NUMBER ORDERING SYSTEM**

**XXXX - X - XXXX - XX**

|
|
|
|

PART NO.
THREAD
MATERIAL
FINISH

---

IF MALE AND FEMALE THREADS ARE DIFFERENT

**XXXX - X - XXXX - XXXX - XX**

|
|
|
|
|

PART NO.
MALE THD.
FEMALE THD.
MATERIAL
FINISH

THREAD CODE	
THREAD	CODE
4-40	0440
6-32	0632
8-32	0832
10-32	1032

NOTE: 2-56 thread size in nylon not available as standard. Special order only.

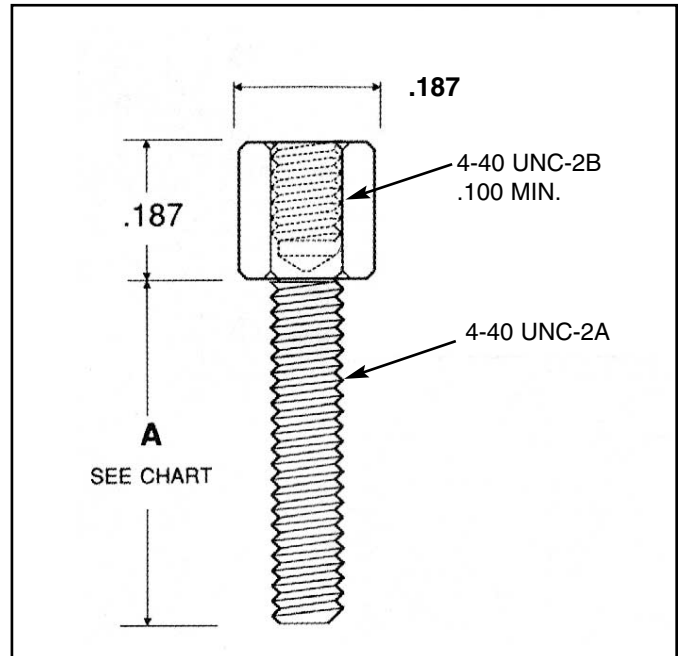
MATERIAL	CODE
Aluminum	A
Brass	B
Steel	S
Stainless Steel	SS
Nylon	N

**5 Pasco Hill Road • Cromwell, CT 06416-1093**  
**Phone: 860-828-0847 • Call Toll Free: 800-243-6032 • Fax: 860-828-0381**  
**Web Address: <http://www.amatom.com> • E-Mail: [sales@amatom.com](mailto:sales@amatom.com)**

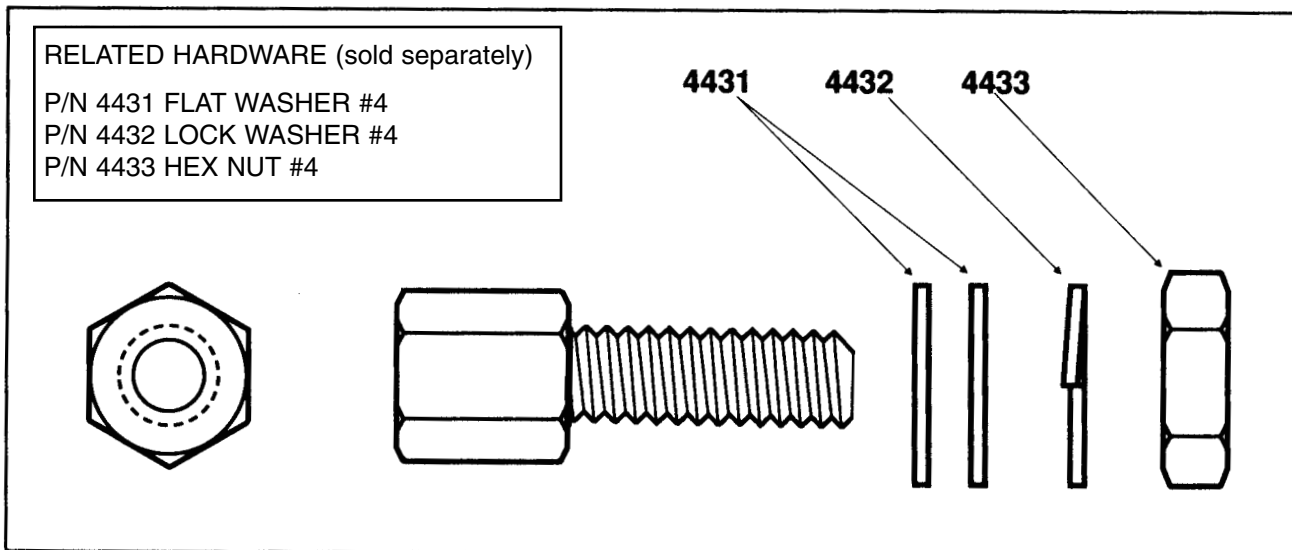
## 3/16" HEXAGON JACK SCREWS

AMATOM PART NO.	A LENGTH
9723-S-440-37 MOD A 1/4	.250
9837-S-0040-37	.312
9838-S-0440-37	.375
9839-S-0440-37	.437
9840-S-0440-37	.500
9841-S-0440-37	.562
9842-S-0440-37	.625
9843-S-0440-37	.687
9844-S-0440-37	.750
9845-S-0440-37	.812
9846-S-0440-37	.875
9847-S-0440-37	.937
9848-S-0440-37	1.000

Finish - 37  
 Zinc plate .0002 thick per ASTM B-633 Type 11 Class 3 (color chromate)  
 Steel Material  
 12L14  
 Supplied Unassembled



NOTE: AMATOM can quote this part in other materials as a special order item.



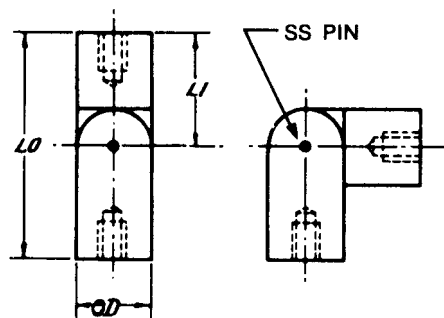
5 Pasco Hill Road • Cromwell, CT 06416-1093  
 Phone: 860-828-0847 • Call Toll Free: 800-243-6032 • Fax: 860-828-0381  
 Web Address: <http://www.amatom.com> • E-Mail: [sales@amatom.com](mailto:sales@amatom.com)

## HINGED STANDOFFS FEMALE - FEMALE 3/16" & 1/4"

HINGED STANDOFFS

CHART A STANDARD INTERNAL THREAD	
THREAD	DEPTH
2-56	3/16
4-40	1/4
6-32	3/8
8-32	7/16
10-32	1/2

CHART B INTERNAL THREAD		
PART NO.	THREAD	DEPTH MIN
17300	4-40	.152
17301	4-40	.214
17315	4-40	.121
17315	6-32	.099
17315	8-32	.090
17316	4-40	.183
17316	6-32,8-32	.152
17317	6-32,8-32	.215
17318	6-32,8-32	.280
17319	6-32,8-32	.340



Tolerance on L0 ± 1/64

### Typical Applications:

Allow circuit boards to fold up providing access for testing and servicing without disconnecting wires or components.

Special Sizes and Finishes Available.

3/16 O.D. Female - Female		
LO	Part No.	Chart Reference Depth of Female Thread (Dim. B)
3/4	<b>17300</b>	Chart A 2-56; Chart B 4-40
7/8	<b>17301</b>	Chart A
1"	<b>17302</b>	Chart A
1-1/8	<b>17303</b>	Chart A
1-1/4	<b>17304</b>	Chart A
1-3/8	<b>17305</b>	Chart A
1-1/2	<b>17306</b>	Chart A
1-5/8	<b>17307</b>	Chart A
1-3/4	<b>17308</b>	Chart A
1-7/8	<b>17309</b>	Chart A
2"	<b>17310</b>	Chart A

1/4 O.D. Female - Female		
LO	Part No.	Chart Reference Depth of Female Thread (Dim. B)
3/4	<b>17315</b>	Chart B
7/8	<b>17316</b>	Chart B
1"	<b>17317</b>	Chart A 4-40; Chart B All Others
1-1/8	<b>17318</b>	Chart A 4-40; Chart B All Others
1-1/4	<b>17319</b>	Chart A 4-40; Chart B All Others
1-3/8	<b>17320</b>	Chart A
1-1/2	<b>17321</b>	Chart A
1-5/8	<b>17322</b>	Chart A
1-3/4	<b>17323</b>	Chart A
1-7/8	<b>17324</b>	Chart A
2"	<b>17325</b>	Chart A

### Stock Materials And Finishes:

- Brass-Zinc Plate (-28 code)
- Aluminum-Plain (-0 code)
- Stainless Steel-Passivated (-7 code)

Refer To Page 8 For Other Finish Codes.

PART NUMBER ORDERING SYSTEM			
XXXXX - X		XXXX - XX	
PART NO.	THREAD	MATERIAL	FINISH

THREAD CODE	
THREAD	CODE
2-56	<b>0256</b>
4-40	<b>0440</b>
6-32	<b>0632</b>
8-32	<b>0832</b>
3/16" OD 2-56, 4-40	
1/4" OD 4-40, 6-32, 8-32	

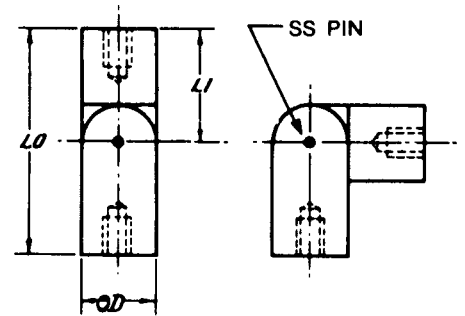
MATERIAL	CODE
Aluminum	<b>A</b>
Brass	<b>B</b>
Steel	<b>S</b>
Stainless Steel	<b>SS</b>

5 Pasco Hill Road • Cromwell, CT 06416-1093  
 Phone: 860-828-0847 • Call Toll Free: 800-243-6032 • Fax: 860-828-0381  
 Web Address: <http://www.amatom.com> • E-Mail: [sales@amatom.com](mailto:sales@amatom.com)

## HINGED STANDOFFS FEMALE - FEMALE 5/16" & 3/8"

CHART A STANDARD INTERNAL THREAD	
THREAD	DEPTH
2-56	3/16
4-40	1/4
6-32	3/8
8-32	7/16
10-32	1/2

CHART B INTERNAL THREAD		
PART NO.	THREAD	DEPTH MIN
17330	6,8,10-32	.122
17331	6,8,10-32	.117
17332	6,8,10-32	.178
17333	6,8,10-32	.242
17334	6,8,10-32	.302
17335	8,10-32	.367
17336	10-32	.432
17346	6,8,10-32	.084
17347	6,8,10-32	.149
17348	6,8,10-32	.209
17349	6,8,10-32	.274
17350	8,10-32	.334
17351	8,10-32	.399
17352	10-32	.459



Tolerance on LO  $\pm 1/64$

### Typical Applications:

Allow circuit boards to fold up providing access for testing and servicing without disconnecting wires or components.

Special Sizes and Finishes Available.

5/16 O.D. Female - Female		
LO	Part No.	Chart Reference Depth of Female Thread (Dim. B)
3/4	<b>17330</b>	Chart B
7/8	<b>17331</b>	Chart B
1"	<b>17332</b>	Chart B
1-1/8	<b>17333</b>	Chart B
1-1/4	<b>17334</b>	Chart B
1-3/8	<b>17335</b>	Chart B
1-1/2	<b>17336</b>	Chart B
1-5/8	<b>17337</b>	Chart A
1-3/4	<b>17338</b>	Chart A
1-7/8	<b>17339</b>	Chart A
2"	<b>17340</b>	Chart A

3/8 O.D. Female - Female		
LO	Part No.	Chart Reference Depth of Female Thread (Dim. B)
3/4	<b>17345</b>	Chart B
7/8	<b>17346</b>	Chart B
1"	<b>17347</b>	Chart B
1-1/8	<b>17348</b>	Chart B
1-1/4	<b>17349</b>	Chart B
1-3/8	<b>17350</b>	Chart B
1-1/2	<b>17351</b>	Chart B
1-5/8	<b>17352</b>	Chart A
1-3/4	<b>17353</b>	Chart A
1-7/8	<b>17354</b>	Chart A
2"	<b>17355</b>	Chart A

### Stock Materials And Finishes:

- Brass-Zinc Plate (-28 code)
- Aluminum-Plain (-0 code)
- Stainless Steel-Passivated (-7 code)

Refer To Page 8 For Other Finish Codes.

PART NUMBER ORDERING SYSTEM			
XXXXX - X - XXXX - XX			
PART NO.	THREAD	MATERIAL	FINISH

THREAD CODE	
THREAD	CODE
6-32	<b>0632</b>
8-32	<b>0832</b>
10-32	<b>1032</b>

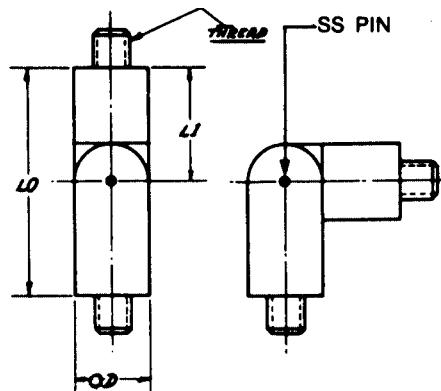
5/16" OD 6-32, 8-32, 10-32
3/8" OD 6-32, 8-32, 10-32

MATERIAL	CODE
Aluminum	<b>A</b>
Brass	<b>B</b>
Steel	<b>S</b>
Stainless Steel	<b>SS</b>

5 Pasco Hill Road • Cromwell, CT 06416-1093  
 Phone: 860-828-0847 • Call Toll Free: 800-243-6032 • Fax: 860-828-0381  
 Web Address: <http://www.amatom.com> • E-Mail: [sales@amatom.com](mailto:sales@amatom.com)

## HINGED STANDOFFS MALE - MALE 3/16", 1/4", 5/16" & 3/8"

EXTERNAL THREAD	
THREAD	DEPTH
2-56	5/32
4-40	3/16
6-32	1/4
8-32	3/8
10-32	3/8



### Typical Applications:

Allow circuit boards to fold up providing access for testing and servicing without disconnecting wires or components.

Special Sizes and Finishes Available.

TOLERANCE ON LD  $\pm 1/64$

LO	MALE - MALE			
	Part No.			
	3/16 OD	1/4 OD	5/16 OD	3/8 OD
1/2	17360	17375	17390	17405
5/8	17361	17376	17391	17406
3/4	17362	17377	17392	17407
7/8	17363	17378	17393	17408
1"	17364	17379	17394	17409
1-1/8	17365	17380	17395	17410
1-1/4	17366	17381	17396	17411
1-3/8	17367	17382	17397	17412
1-1/2	17368	17383	17398	17413
1-5/8	17369	17384	17399	17414
1-3/4	17370	17385	17400	17415
1-7/8	17371	17386	17401	17416
2"	17372	17387	17402	17417

PART NUMBER ORDERING SYSTEM			
XXXXX	- X -	XXXX	- XX
PART NO.		THREAD	
		MATERIAL	FINISH

THREAD CODE	
THREAD	CODE
2-56	0256
4-40	0440
6-32	0632
8-32	0832
10-32	1032

3/16 Thread: 2-56, 4-40
1/4 Thread: 4-40, 6-32, 8-32
5/16 Thread: 6-32, 8-32, 10-32
3/8 Thread: 6-32, 8-32, 10-32

### Stock Materials And Finishes:

- Brass-Zinc Plate (-28 code)
- Aluminum-Plain (-0 code)
- Stainless Steel-Passivated (-7 code)

Refer To Page 8 For Other Finish Codes.

MATERIAL	CODE
Aluminum	A
Brass	B
Steel	S
Stainless Steel	SS

5 Pasco Hill Road • Cromwell, CT 06416-1093  
 Phone: 860-828-0847 • Call Toll Free: 800-243-6032 • Fax: 860-828-0381  
 Web Address: <http://www.amatom.com> • E-Mail: [sales@amatom.com](mailto:sales@amatom.com)

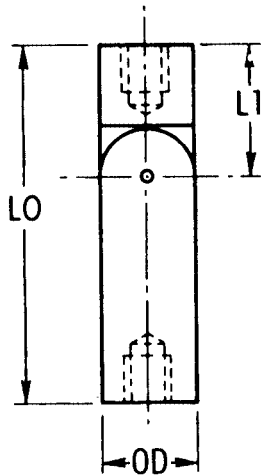


## HINGED STANDOFFS

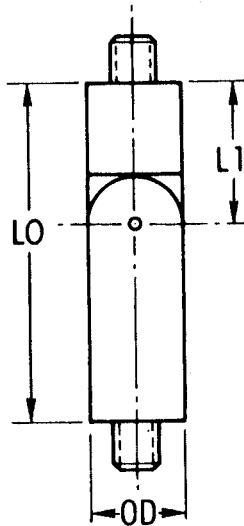
The Following Have Been Made On Special Order  
When One Leg Is Longer Than The Other.

SPECIFY ALL DIMENSIONS  
REQUIRED

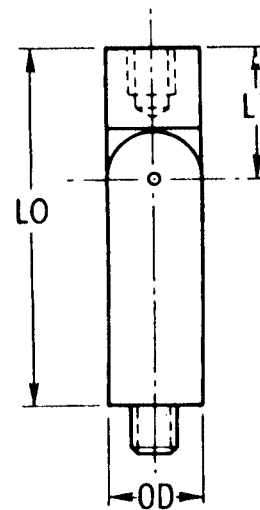
DIAMETER — O.D.  
LENGTH OVERALL — L.O.  $\pm 1/64$   
LENGTH TO PIVOT — L1



FEMALE - FEMALE  
TYPE 1

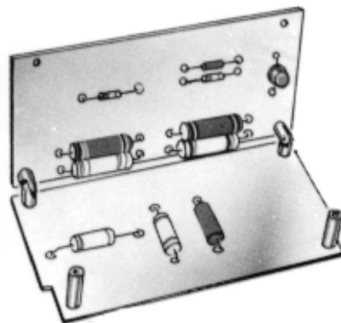


MALE - MALE  
TYPE 2



FEMALE - MALE  
TYPE 3

- Send Print For Special Size Quotes.
- Any Finish From Page 8 Is Available.
- Contact Sales Office For Any Questions.

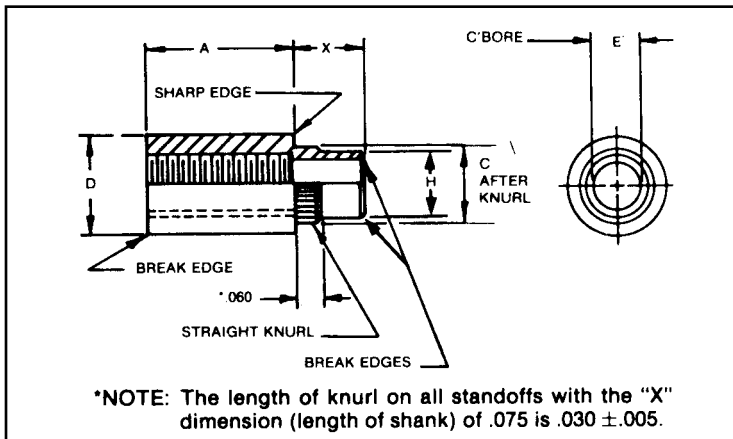


5 Pasco Hill Road • Cromwell, CT 06416-1093  
Phone: 860-828-0847 • Call Toll Free: 800-243-6032 • Fax: 860-828-0381  
Web Address: <http://www.amatom.com> • E-Mail: [sales@amatom.com](mailto:sales@amatom.com)

## ANTI-ROTATION ROUND STANDOFFS 7/32", 9/32", 11/32" & 3/8"

ANTI-ROTATION STANDOFFS

Length ±.005	Part No.			
	7/32	9/32	11/32	3/8
1/8	18091	18121	18151	18181
3/16	18092	18122	18152	18182
1/4	18093	18123	18153	18183
5/16	18094	18124	18154	18184
3/8	18095	18125	18155	18185
7/16	18096	18126	18156	18186
1/2	18097	18127	18157	18187
9/16	18098	18128	18158	18188
5/8	18099	18129	18159	18189
11/16	18100	18130	18160	18190
3/4	18101	18131	18161	18191
7/8	18103	18133	18163	18193
1	18105	18135	18165	18195

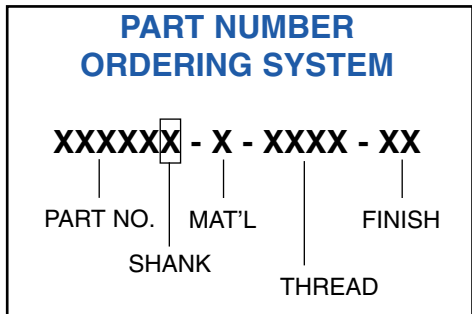


Dimensions and Tolerances						
Outside Diameter		7/32	9/32	11/32	3/8	3/8
Thread Size		4-40	6-32	8-32	10-24	10-32
Ref.						
E	±.002	.129	.176	.213	.235	.235
C	+0.004 -.002	.179	.226	.263	.285	.285
D	±.006	.219	.281	.344	.375	.375
H	+0.000 -.004	.166	.213	.250	.272	.272

Swage Tooling					
Body Length		1/8-3/16	1/4-7/16	1/2-11/16	3/4-1"
Size	Punch	ANVIL	ANVIL	ANVIL	ANVIL
7/32	062-4	201-1H	201-2H	201-3H	201-4H
9/32	062-6	110-1H	110-2H	110-3H	110-4H
11/32	062-8	203-1	203-2	203-3	203-4
3/8	062-10	189-1	189-2	189-3	189-4

MATERIAL	CODE
Aluminum	A
Brass	B
Steel	S
Stainless Steel	SS

Refer to page 8 for Finish Codes.  
For parts not listed contact sales office.

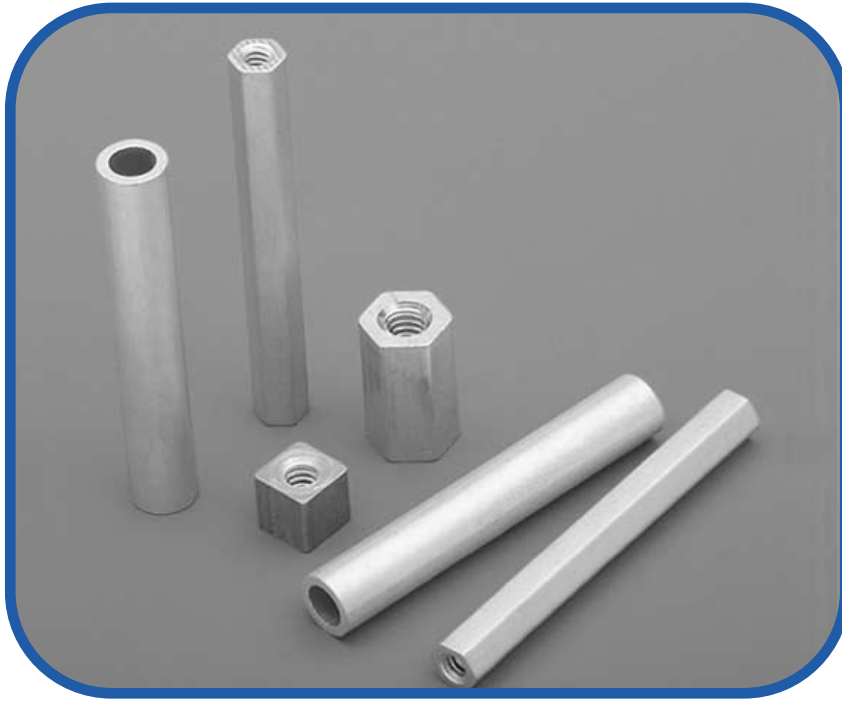


SHANK/BOARD THICKNESS CODE		
X Shank ±.005	T Board Thick.	Code
.075	1/32	A
.105	1/16	B
.135	3/32	C
.165	1/8	D

THREAD CODE		
SIZE	THREAD	CODE
7/32	4-40	0440
9/32	6-32	0632
11/32	8-32	0832
3/8	10-24	1024
3/8	10-32	1032

5 Pasco Hill Road • Cromwell, CT 06416-1093  
 Phone: 860-828-0847 • Call Toll Free: 800-243-6032 • Fax: 860-828-0381  
 Web Address: <http://www.amatom.com> • E-Mail: [sales@amatom.com](mailto:sales@amatom.com)

# AMATOM®



## METRIC HARDWARE STANDOFFS AND SPACERS

ELECTRONIC HARDWARE  
REFERENCE MANUAL

From anywhere in the USA Call Cromwell, CT **1-800-243-6032**

### **AMATOM ELECTRONIC HARDWARE**

5 Pasco Hill Road

Cromwell, CT 06416-1093

860-828-0847

Fax: 860-828-0381

E-Mail: [sales@amatom.com](mailto:sales@amatom.com)

Web Address: <http://www.amatom.com>

This Reference Manual has been compiled to make available to Engineers and Buyers in the Electronic Industry a Full Metric Manual on Post Type Standoffs, Spacers, Swage Standoffs, Male-Female Standoffs and Anti-Rotation Swage Standoffs.

The following is a list of sizes and materials covered.

**A. Post Type Standoffs**

- 4.5mm Round and Hex from 3mm to 51mm long .....45
- 6mm and 6.35mm Round and Hex from 3mm to 51mm long .....46
- 8mm Round and Hex from 3mm to 51mm long.....47
- 10mm Round and Hex from 3mm to 51mm long.....48
- 13mm Round and Hex from 3mm to 51mm long.....49

**B. Spacers**

- 4.5mm Round from 3mm to 51mm long .....50
- 6mm Round from 3mm to 51mm long .....50
- 8mm Round from 3mm to 51mm long .....50
- 10mm Round from 3mm to 51mm long .....50
- 13mm Round from 3mm to 51mm long .....50

**C. Swage Type Standoffs**

- 4.5mm Round from 3mm to 51mm long .....51
- 6mm Round from 3mm to 51mm long .....52
- 8mm Round from 3mm to 51mm long .....53

**D. Male/Female Standoffs**

- 4.5mm Hex from 5mm to 25mm long.....54
- 6mm Hex from 5mm to 51mm long .....55
- 10mm Hex from 5mm to 51mm long .....56

**E. Anti-Rotation Standoffs**

- 6mm Round from 3mm to 25mm long .....57
- 8mm Round from 3mm to 25mm long .....58
- 8mm Round from 3mm to 25mm long .....59
- 10mm Round from 3mm to 25mm long .....60

Swage Standoffs are available with clearance hole and no threads. Ask our Sales Department for information. Specifications pages 43 and 44.

## CLEARANCE HOLES FOR METRIC THREADED FASTENERS

NOMINAL FASTENER SIZE	NORMAL CLEARANCE	NOMINAL FASTENER SIZE	NORMAL CLEARANCE
1.6	1.9	6.0	6.7
2.0	2.4	6.3	7.1
2.5	2.9	8.0	9.0
3.0	3.4	10.0	11.0
3.5	4.0	12.0	13.0
4.0	4.5	14.0	15.0
5.0	5.6	16.0	17.5

## CLEARANCE HOLE CODE

DIAMETER x PITCH	CLEARANCE HOLE RANGE	CLEARANCE HOLE CODE
M1.6 x 0.35	1.8 - 2.1	<b>0019</b>
M2.0 x 0.4	2.2 - 2.6	<b>0024</b>
M2.5 x 0.45	2.7 - 3.1	<b>0029</b>
M3.0 x 0.5	3.2 - 3.6	<b>0034</b>
M3.5 x 0.6	3.5 - 4.2	<b>0040</b>
M4.0 x 0.7	4.2 - 4.8	<b>0045</b>
M5.0 x 0.8	5.3 - 6.0	<b>0056</b>
M6.0 x 1.0	6.3 - 7.0	<b>0065</b>
M6.3 x 1.0	6.7 - 7.5	<b>0071</b>
M8.0 x 1.25	8.5 - 9.5	<b>0090</b>

## THREAD PART NO. CODE CHART

DIAMETER x PITCH	AMATOM THREAD CODE	DIAMETER x PITCH	AMATOM THREAD CODE
M1.6 x 0.35	1635	M5.0 x 0.8	<b>0580</b>
M2.0 x 0.4	0240	M6.0 x 1.0	<b>0610</b>
M2.5 x 0.45	2545	*M6.3 x 1.0	<b>6310</b>
M3.0 x 0.5	0350	M8.0 x 1.25	<b>8125</b>
M3.5 x 0.6	3560	M10.0 x 1.5	<b>1015</b>
M4.0 x 0.7	0470	M12.0 x 1.75	<b>1217</b>

\*Special Order Only

Amatom metric threads are in conformance with ISO standards.

## METRIC THREAD SIZES

Recommended by ANSI-OMFS and IFI

DIAMETER x PITCH	DIAMETER x PITCH
M1.6 x 0.35	M5.0 x 0.8
M2.0 x 0.4	*M6.3 x 1.0
M2.5 x 0.45	M8.0 x 1.25
M3.0 x 0.5	M10.0 x 1.5
M3.5 x 0.6	M12.0 x 1.75
M4.0 x 0.7	M14.0 x 2.0

\*Not included in ISO Series. (The nearest ISO Standard is M6 x 1.0)

## LENGTH OF THREAD

### BRASS, ALUMINUM & STEEL PARTS

M2.5 thread is tapped thru 15.9MM in length

M3 and larger thread is tapped thru 25.4MM in length

### STAINLESS STEEL & NYLON PARTS

M2.5 thread is tapped thru 9.6MM in length

M3 thread is tapped thru 12.7 MM in length

M3.5 and larger thread is tapped thru 25.4MM in length

For lengths longer than specified above – see chart below.

## DEPTH OF THREAD CHART

Recommended Blind Hole

Thread Engagement

(Drilled and Tapped Both Ends)

THREAD SIZE	SCREW ENGAGEMENT
M2.5	4.8MM
M3.0	6.4MM
M3.5	9.5MM
M4.0	11.1MM
M5.0	12.7MM
M6.0	*14.3MM
M8.0	*14.3MM

\*Depending on overall length of body.

## MATERIALS CHART

MATERIAL	CODE LETTER	MATERIAL SPECIFICATIONS
BRASS	B	ASTM B16 ALLOY 360, 353
ALUMINUM	A	<sup>1</sup> QQ-A-225/3 (2011-T3) QQ-A-200/8 QQ-A-225/6 (2024-T4) QQ-A-225/8 (6061-T6) QQ-A-200/9 (6063-T5)
STAINLESS STEEL	SS	ASTM 582
STEEL	S	ASTM A108-81
NYLON	N	LP-410

NOTES: 1. Depending upon application

## ANTI-ROTATION TECHNICAL DATA

### INSTALLATION DATA

THREAD SIZE	3 x 0.5	3.5 x 0.6	4 x 0.7	5 x 0.8
SHANK DIAM. "C" DIM.	4.5MM	5.7MM	6.7MM	7.2MM
X DIM. (HOLE IN PANEL)	4.2MM	5.4MM	6.35MM	6.9MM

Tolerance on X Dim. (Hole in Panel) +.13  
-.00MM

### PERFORMANCE DATA

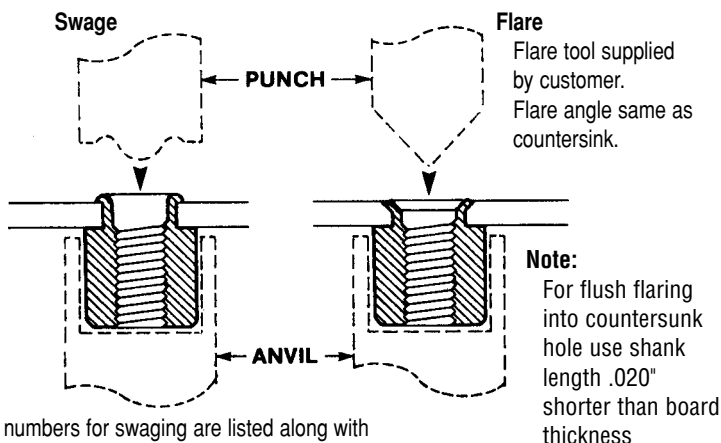
#### AVERAGE TORQUE LOAD (Newton-metres)\*

METHOD OF INSTALLATION	THREAD 3 x 0.5	THREAD 3.5 x 0.6	THREAD 4 x 0.7	THREAD 5 x 0.8
STRAIGHT HOLE	3.95 N-m	4.5 N-m	5.6 N-m	7.9 N-m

Your torque loads may vary due to differences in installation parameters.  
Tests performed on Epoxy Glass G10 boards.

\*One N-m (Newton-metre) = .7375 ft. lbs.

Swage or Flare as required:



Tool part numbers for swaging are listed along with anti-rotation and swage standoff part descriptions.

## FINISHES AVAILABLE

- 0 No Finish
- 1A Anodize-Mil-A-8625 -Type 1  
(Chromic) Hot Water Seal (Dk. Gray)
- 1B Anodize-Mil-A-8625 -Type 2  
(Sulfuric) Hot Water Seal (Clear)
- 1C Anodize-Mil-A-8625 -Type 2  
(Sulfuric) Dichromate Seal (Yellow/Green)
- 2 Anodize-Mil-A-8625 Black Type 2
- 3 Cadmium Plate-QQ-P-416 Class 3-  
Clear Chromate Special Order
- 3B Cadmium Plate-QQ-P-416 Class 3,  
Type 2-Color Chromate Special Order
- 4 Nickel Plate-QQ-N-290 Grade G
- 6A Brass Ebonal "C" -Mil-F-495
- 6B Stainless Steel "Black Oxide" -Mil-C-13924
- 7 Passivate-QQ-P3-35
- 8 Caustic Etch
- 10A Alodine 1200
- 14 Electro Tin Plate-Mil-T-10727-Type 1
- \*14A Electro Tin Solder 60/40  
per M230 Mil-F-14072
- 14B Tin Plate over Copper Flash
- 15 Bright Dip (Brass Finish)
- 16 Iridite-Clear-Mil-C-5541
- 17 Iridite-Gold-# Mil-C-5541
- 28 Zinc Plate .0002 thick ASTM-B-633 Type
- 29 Solder Plate 0.0003-0.001 thick  
(Solder per QQ-S-571, Sn60)  
over Nickel Plate 0.0001-0.0005

\*Not suitable for 2.5 x 0.45 or smaller threads,  
specify oversized tap when ordering other thread  
sizes.

## TOLERANCES

Tolerances in manufacture of Standoffs and Spacers  
Length: up to 100MM long  $\pm$  .13MM  
O.D.:  $\pm$  .356MM

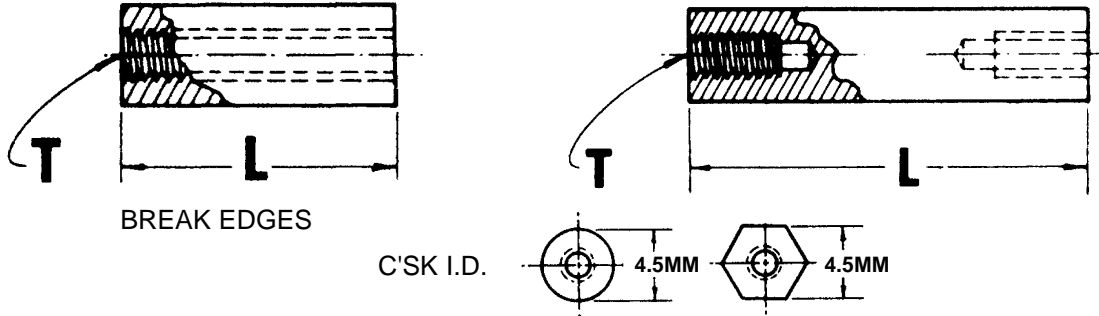
## FUNCTIONABILITY

The dimensions as listed in this manual are functional.  
Amatom's hardware is inspected Per MIL-STD-105 during  
production and rechecked before shipment.  
Amatom reserves the right to make adjustments in  
dimensions and specifications at any time without notice.  
Customer's inspection should be determined primarily on  
functionability.

## CONVERSION TABLE

To convert inches to millimeters multiply inches x 25.4  
To convert millimeters to inches multiply millimeters x 0.039370

## METRIC STANDOFFS 4.5MM ROUND • HEX



LENGTH (MM)	PART NO.	
	ROUND	HEX
3	19000	19050
5	19002	19052
6	19003	19053
8	19005	19055
10	19007	19057
11	19008	19058
13	19010	19060
14	19011	19061
16	19013	19063
19	19016	19066
22	19019	19069
25	19022	19072
27	19024	19074
29	19026	19076
30	19027	19077
32	19029	19079
33	19030	19080
35	19032	19082
37	19034	19084
38	19035	19085
40	19037	19087
41	19038	19088
44	19041	19091
48	19045	19095
51	19048	19098

### PART NUMBER ORDERING SYSTEM

**XXXXX - X - XXXX - XX**  
 |            |            |  
 PART NO.    THREAD  
                  |            |  
                  MATERIAL    FINISH

Refer to page 43 for Thread Depth or Length.  
 Refer to page 44 for Finish Codes.  
 For parts not listed contact sales office.

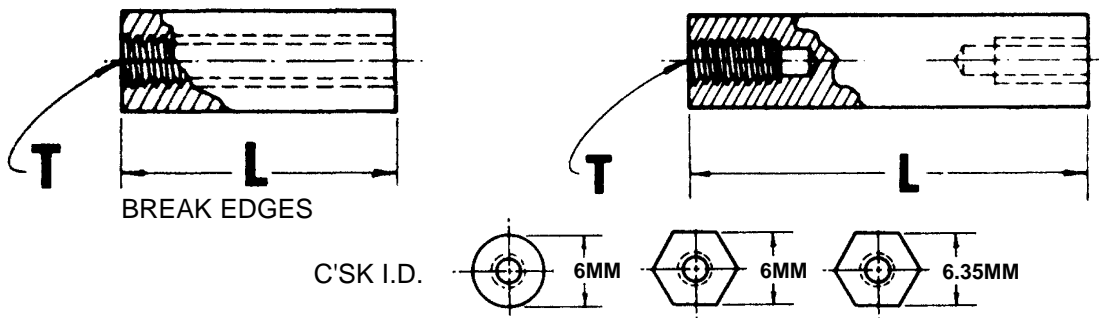
### THREAD CODE

THREAD	CODE
M2.5 x 0.45	2545
M3 x 0.5	0350

MATERIAL	CODE
Aluminum	A
Brass	B
Steel	S
Stainless Steel	SS
Nylon	N

5 Pasco Hill Road • Cromwell, CT 06416-1093  
 Phone: 860-828-0847 • Call Toll Free: 800-243-6032 • Fax: 860-828-0381  
 Web Address: <http://www.amatom.com> • E-Mail: [sales@amatom.com](mailto:sales@amatom.com)

## METRIC STANDOFFS 6MM & 6.35MM ROUND • HEX



LENGTH (MM)	PART NO.		
	ROUND	6MM HEX	6.35MM HEX*
3	19100	19150	19150
5	19102	19152	19152
6	19103	19153	19153
8	19105	19155	19155
10	19107	19157	19157
11	19108	19158	19158
13	19110	19160	19160
14	19111	19161	19161
16	19113	19163	19163
19	19116	19166	19166
22	19119	19169	19169
25	19122	19172	19172
27	19124	19174	19174
29	19126	19176	19176
30	19127	19177	19177
32	19129	19179	19179
33	19130	19180	19180
35	19132	19182	19182
37	19134	19184	19184
38	19135	19185	19185
40	19137	19187	19187
41	19138	19188	19188
44	19141	19191	19191
48	19145	19195	19195
51	19148	19198	19198

\*Available in Nylon Only.

Refer to page 43 for Thread Depth.  
Refer to page 44 for Finish Codes.  
For parts not listed contact sales office.

### PART NUMBER ORDERING SYSTEM

XXXXX - X - XXXX - XX

PART NO.

THREAD

MATERIAL

FINISH

### THREAD CODE

THREAD

CODE

M3 x 0.5

0350

M3.5 x 0.6

3560

M4 x 0.7

0470

M5 x 0.8

0580

### MATERIAL

### CODE

Aluminum

A

Brass

B

Steel

S

Stainless Steel

SS

Nylon (not available in 6MM Hex)

N

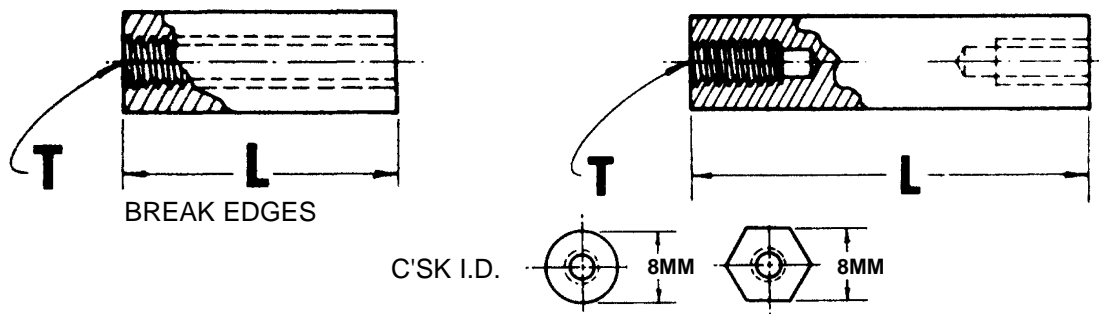
5 Pasco Hill Road • Cromwell, CT 06416-1093

Phone: 860-828-0847 • Call Toll Free: 800-243-6032 • Fax: 860-828-0381

Web Address: <http://www.amatom.com> • E-Mail: [sales@amatom.com](mailto:sales@amatom.com)



## METRIC STANDOFFS 8MM ROUND • HEX



LENGTH (MM)	PART NO.	
	ROUND	HEX
3	19200	19250
5	19202	19252
6	19203	19253
8	19205	19255
10	19207	19257
11	19208	19258
13	19210	19260
14	19211	19261
16	19213	19263
19	19216	19266
22	19219	19269
25	19222	19272
27	19224	19274
29	19226	19276
30	19227	19277
32	19229	19279
33	19230	19280
35	19232	19282
37	19234	19284
38	19235	19285
40	19237	19287
41	19238	19288
44	19241	19291
48	19245	19295
51	19248	19298

Refer to page 43 for Thread Depth.  
Refer to page 44 for Finish Codes.  
For parts not listed contact sales office.

### PART NUMBER ORDERING SYSTEM

XXXXX - X - XXXX - XX

PART NO.

THREAD

MATERIAL

FINISH

### THREAD CODE

THREAD

CODE

M3 x 0.5

0350

M3.5 x 0.6

3560

M4 x 0.7

0470

M5 x 0.8

0580

MATERIAL

CODE

Aluminum

A

Brass

B

Steel

S

Stainless Steel  
(not available in hex)

SS

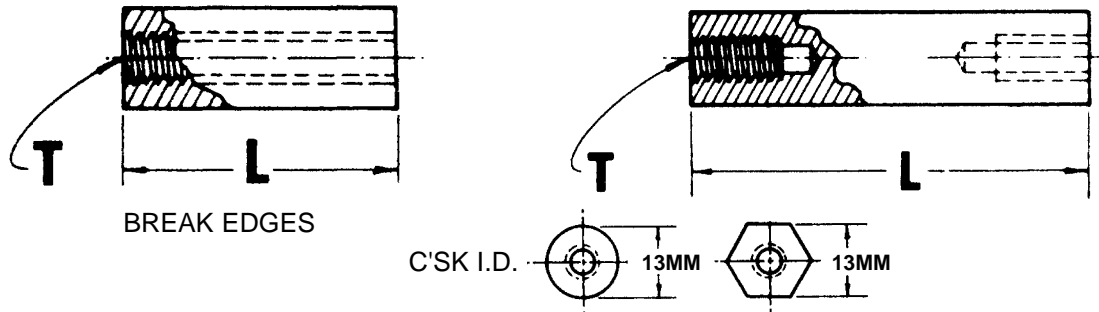
Nylon

N

5 Pasco Hill Road • Cromwell, CT 06416-1093  
Phone: 860-828-0847 • Call Toll Free: 800-243-6032 • Fax: 860-828-0381  
Web Address: <http://www.amatom.com> • E-Mail: [sales@amatom.com](mailto:sales@amatom.com)



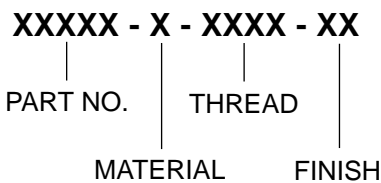
## METRIC STANDOFFS 13MM ROUND • HEX



LENGTH (MM)	PART NO.	
	ROUND	HEX
3	19400	19450
5	19402	19452
6	19403	19453
8	19405	19455
10	19407	19457
11	19408	19458
13	19410	19460
14	19411	19461
16	19413	19463
19	19416	19466
22	19419	19469
25	19422	19472
27	19424	19474
29	19426	19476
30	19427	19477
32	19429	19479
33	19430	19480
35	19432	19482
37	19434	19484
38	19435	19485
40	19437	19487
41	19438	19488
44	19441	19491
48	19445	19495
51	19448	19498

METRIC STANDOFFS

### PART NUMBER ORDERING SYSTEM



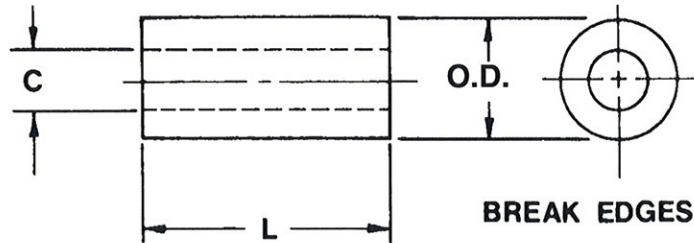
Refer to page 43 for Thread Depth.  
Refer to page 44 for Finish Codes.  
For parts not listed contact sales office.

THREAD CODE	
THREAD	CODE
M4 x 0.7	0470
M5 x 0.8	0580
M6 x 1	0610

MATERIAL	CODE
Aluminum	A
Brass	B
Steel	S
Stainless Steel	SS
Nylon	N

5 Pasco Hill Road • Cromwell, CT 06416-1093  
Phone: 860-828-0847 • Call Toll Free: 800-243-6032 • Fax: 860-828-0381  
Web Address: <http://www.amatom.com> • E-Mail: [sales@amatom.com](mailto:sales@amatom.com)

## METRIC ROUND SPACERS



Length (MM)	PART NO.				
	4.5MM O.D.	6MM O.D.	8MM O.D.	10MM O.D.	13MM O.D.
3	19500	19550	19600	19650	19700
5	19502	19552	19602	19652	19702
6	19503	19553	19603	19653	19703
8	19505	19555	19605	19655	19705
10	19507	19557	19607	19657	19707
11	19508	19558	19608	19658	19708
13	19510	19560	19610	19660	19710
14	19511	19561	19611	19661	19711
16	19513	19563	19613	19663	19713
19	19516	19566	19616	19666	19716
22	19519	19569	19619	19669	19719
25	19522	19572	19622	19672	19722
27	19524	19574	19624	19674	19724
29	19526	19576	19626	19676	19726
30	19527	19577	19627	19678	19727
32	19529	19579	19629	19679	19729
33	19530	19580	19630	19680	19730
35	19532	19582	19632	19682	19732
37	19534	19584	19634	19684	19734
38	19535	19585	19635	19685	19735
40	19537	19587	19637	19687	19737
41	19538	19588	19638	19688	19738
44	19541	19591	19641	19691	19741
48	19545	19595	19645	19695	19745
51	19548	19598	19648	19698	19748

NOTE: Maximum and Minimum I.D. on all standard Amatom spacers will conform to clearance hole range chart on page 43.

### PART NUMBER ORDERING SYSTEM

XXXXX - X - XXXX - XX  
 |                    |                    |  
 PART NO.      CLEARANCE HOLE CODE  
 |                    |  
 MATERIAL      FINISH

CLEARANCE HOLE (I.D.) CODE			
THREAD SIZE	CLEARANCE HOLE / I.D.	I.D. CODE	O.D.
M2.5	2.9	0029	4.5
M3.0	3.4	0034	4.5 6 8
M3.5	4.0	0040	6 8 10
M4.0	4.5	0045	6 8 10 13
M5.0	5.6	0056	6 8 10 13
M6.3	7.1	0071	13
M8.0	9.0	0090	13

Refer to page 44 for Finish Codes.  
 For parts not listed contact sales office.

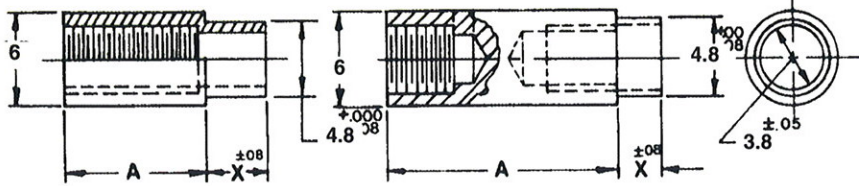
MATERIAL	CODE
Aluminum	A
Brass	B
Stainless Steel	SS
Nylon	N

5 Pasco Hill Road • Cromwell, CT 06416-1093  
 Phone: 860-828-0847 • Call Toll Free: 800-243-6032 • Fax: 860-828-0381  
 Web Address: <http://www.amatom.com> • E-Mail: [sales@amatom.com](mailto:sales@amatom.com)

METRIC SPACERS



### 6MM SWAGE TYPE ROUND STANDOFFS

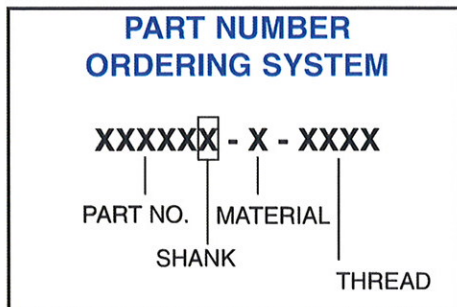


Length "A" (MM)	Part No.
3	19830
5	19832
6	19833
8	19835
10	19837
11	19838
13	19840
14	19841
16	19843
19	19846
22	19849
25	19852
30	19857
32	19859
35	19862
38	19865
44	19871
51	19878

Swage Tooling		
Punch	Anvil	Body Length
PSP 612	PSA 110-1	3-5MM
	110-2	6-11MM
	110-3	13-16MM
	110-4	19-25MM

See Page 43 for Depth of Thread.  
 See Page 44 for Installation Instructions.  
 Refer to page 44 for Finish Codes.  
 For parts not listed contact sales office.

METRIC SWAGE STANDOFFS



SHANK/BOARD THICKNESS CODE		
X	T	
Shank	Board Thickness	Code
1.9	0.8	A
2.7	1.6	B
3.4	2.4	C
4.2	3.2	D
5.8	4.8	E
7.4	6.4	F

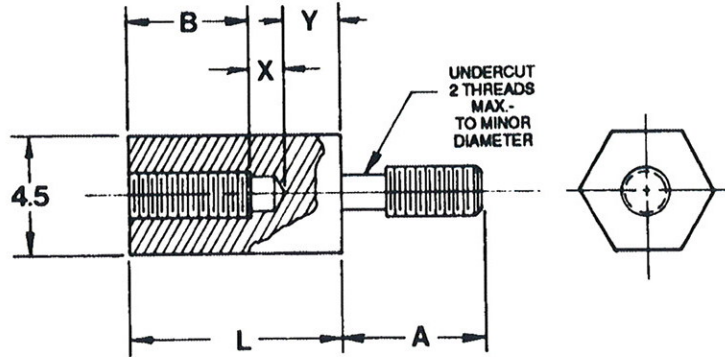
MATERIAL	CODE
Aluminum	A
Brass	B
Steel	S
Stainless Steel	SS

THREAD CODE	
THREAD	CODE
M3 x 0.5	0350
M3.5 x 0.6	3560

5 Pasco Hill Road • Cromwell, CT 06416-1093  
 Phone: 860-828-0847 • Call Toll Free: 800-243-6032 • Fax: 860-828-0381  
 Web Address: <http://www.amatom.com> • E-Mail: [sales@amatom.com](mailto:sales@amatom.com)



### 4.5MM HEX STANDOFFS MALE/FEMALE



ALL DIMENSIONS IN MM.

CHART A				APPROX NO. OF THDS MIN.
"L" MM	P/N	THREAD	"B" MIN	
5	19930	M2.5 x 0.45	1.9	4.2
		M3.0 x .05	1.8	3.5
6	19931	M2.5 x 0.45	3.1	5.0
		M3.0 x 0.5	3.1	6.0
8	19933	M3.0 x 0.5	4.0	7.8

Y=.032 MIN

CHART B				
THREAD	A	B	Y	X
M2.5 x 0.45	3.97	4.76	0.8	1.5
M3.0 x 0.5	4.76	6.35	0.8	1.5
M3.5 x 0.6	6.35	9.53	1.0	1.9
M4.0 x 0.7	9.53	11.1	1.3	1.9
M5.0 x 0.8	9.53	12.7	1.7	1.9

Chart "B" Standards for P/N Below Solid Line.

**IMPORTANT!!!** FOR ITEMS ABOVE SOLID LINE  
SEE CHART "A" FOR DEPTH OF FEMALE THREAD  
DIMENSION "B" ON DRAWING.

Refer to page 44 for Finish Codes.  
For parts not listed contact sales office.

L Length (MM)	BRASS (B)		ALUM (A)		NYLON (N)	
	Thread M2.5 x 0.45	Thread M3 x 0.5	Thread M2.5 x 0.45	Thread M3 x 0.5	Thread M2.5 x 0.45	Thread M3 x 0.5
5	19930-B-2545	19930-B-0350	19930-A-2545	19930-A-0350	19930-N-2545	19930-N-0350
6	19931-B-2545	19931-B-0350	19931-A-2545	19931-A-0350	19931-N-2545	19931-N-0350
8	19933-B-2545	19933-B-0350	19933-A-2545	19933-A-0350	19933-N-2545	19933-N-0350
10	19935-B-2545	19935-B-0350	19935-A-2545	19935-A-0350	19935-N-2545	19935-N-0350
11	19936-B-2545	19936-B-0350	19936-A-2545	19936-A-0350	19936-N-2545	19936-N-0350
13	19938-B-2545	19938-B-0350	19938-A-2545	19938-A-0350	19938-N-2545	19938-N-0350
14	19939-B-2545	19939-B-0350	19939-A-2545	19939-A-0350	19939-N-2545	19939-N-0350
16	19941-B-2545	19941-B-0350	19941-A-2545	19941-A-0350	19941-N-2545	19941-N-0350
19	19944-B-2545	19944-B-0350	19944-A-2545	19944-A-0350	19944-N-2545	19944-N-0350
22	19947-B-2545	19947-B-0350	19947-A-2545	19947-A-0350	19947-N-2545	19947-N-0350
25	19950-B-2545	19950-B-0350	19950-A-2545	19950-A-0350	19950-N-2545	19950-N-0350

5 Pasco Hill Road • Cromwell, CT 06416-1093  
Phone: 860-828-0847 • Call Toll Free: 800-243-6032 • Fax: 860-828-0381  
Web Address: <http://www.amatom.com> • E-Mail: [sales@amatom.com](mailto:sales@amatom.com)



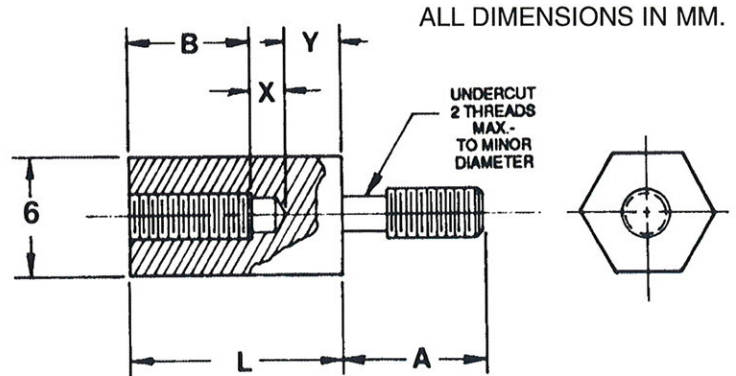
### 6 MM HEX STANDOFFS MALE/FEMALE

CHART A				APPROX NO. OF THDS MIN.
"L" MM	P/N	THREAD	"B" MIN	
6	19955	M3.0 x 0.5	3.1	6.0
		M3.5 x 0.6	2.5	4.1
		M4.0 x 0.7	2.1	2.9
10	19959	M3.5 x 0.6	6.3	8.8
		M4.0 x 0.7	6.0	8.4
13	19962	M4.0 x 0.7	8.8	12.3

Y=.032 MIN

CHART B				
THREAD	A	B	Y	X
M2.5 x 0.45	3.97	4.76	0.8	1.5
M3.0 x 0.5	4.76	6.35	0.8	1.5
M3.5 x 0.6	6.35	9.53	1.0	1.9
M4.0 x 0.7	9.53	11.1	1.3	1.9
M5.0 x 0.8	9.53	12.7	1.7	1.9

Chart "B" Standards for P/N Below Solid Line.



**IMPORTANT!!!** FOR ITEMS ABOVE SOLID LINE SEE CHART "A" FOR DEPTH OF FEMALE THREAD DIMENSION "B" ON DRAWING.

#### 6MM HEX

L Length (MM)	BRASS (B)			ALUM (A)			STAINLESS STEEL (SS)		
	Thread M3 x 0.5	Thread M3.5 x 0.6	Thread M4 x 0.7	Thread M3 x 0.5	Thread M3.5 x 0.6	Thread M4 x 0.7	Thread M3 x 0.5	Thread M3.5 x 0.6	Thread M4 x 0.7
6	19955-B 0350	19955-B 3560	19955-B 0470	19955-A 0350	19955-A 3560	19955-A 0470	19955-SS 0350	19955-SS 3560	19955-SS 0470
10	19959-B 0350	19959-B 3560	19959-B 0470	19959-A 0350	19959-A 3560	19959-A 0470	19959-SS 0350	19959-SS 3560	19959-SS 0470
13	19962-B 0350	19962-B 3560	19962-B 0470	19962-A 0350	19962-A 3560	19962-A 0470	19962-SS 0350	19962-SS 3560	19962-SS 0470
16	19965-B 0350	19965-B 3560	19965-B 0470	19965-A 0350	19965-A 3560	19965-A 0470	19965-SS 0350	19965-SS 3560	19965-SS 0470
19	19968-B 0350	19968-B 3560	19968-B 0470	19968-A 0350	19968-A 3560	19968-A 0470	19968-SS 0350	19968-SS 3560	19968-SS 0470
22	19971-B 0350	19971-B 3560	19971-B 0470	19971-A 0350	19971-A 3560	19971-A 0470	19971-SS 0350	19971-SS 3560	19971-SS 0470
25	19974-B 0350	19974-B 3560	19974-B 0470	19974-A 0350	19974-A 3560	19974-A 0470	19974-SS 0350	19974-SS 3560	19974-SS 0470
30	19979-B 0350	19979-B 3560	19979-B 0470	19979-A 0350	19979-A 3560	19979-A 0470	19979-SS 0350	19979-SS 3560	19979-SS 0470
32	19981-B 0350	19981-B 3560	19981-B 0470	19981-A 0350	19981-A 3560	19981-A 0470	19981-SS 0350	19981-SS 3560	19981-SS 0470
35	19984-B 0350	19984-B 3560	19984-B 0470	19984-A 0350	19984-A 3560	19984-A 0470	19984-SS 0350	19984-SS 3560	19984-SS 0470
38	19987-B 0350	19987-B 3560	19987-B 0470	19987-A 0350	19987-A 3560	19987-A 0470	19987-SS 0350	19987-SS 3560	19987-SS 0470
41	19990-B 0350	19990-B 3560	19990-B 0470	19990-A 0350	19990-A 3560	19990-A 0470	19990-SS 0350	19990-SS 3560	19990-SS 0470
44	19993-B 0350	19993-B 3560	19993-B 0470	19993-A 0350	19993-A 3560	19993-A 0470	19993-SS 0350	19993-SS 3560	19993-SS 0470
48	19997-B 0350	19997-B 3560	19997-B 0470	19997-A 0350	19997-A 3560	19997-A 0470	19997-SS 0350	19997-SS 3560	19997-SS 0470
51	20000-B 0350	20000-B 3560	20000-B 0470	20000-A 0350	20000-A 3560	20000-A 0470	20000-SS 0350	20000-SS 3560	20000-SS 0470

#### 6.35MM HEX

NYLON (N)		
Thread M3 x 0.5	Thread M3.5 x 0.6	Thread M4 x 0.7
19955-N 0350	19955-N 3560	19955-N 0470
19959-N 0350	19959-N 3560	19959-N 0470
19962-N 0350	19962-N 3560	19962-N 0470
19965-N 0350	19965-N 3560	19965-N 0470
19968-N 0350	19968-N 3560	19968-N 0470
19971-N 0350	19971-N 3560	19971-N 0470
19974-N 0350	19974-N 3560	19974-N 0470
19979-N 0350	19979-N 3560	19979-N 0470
19981-N 0350	19981-N 3560	19981-N 0470
19984-N 0350	19984-N 3560	19984-N 0470
19987-N 0350	19987-N 3560	19987-N 0470
19990-N 0350	19990-N 3560	19990-N 0470
19993-N 0350	19993-N 3560	19993-N 0470
19997-N 0350	19997-N 3560	19997-N 0470
20000-N 0350	20000-N 3560	20000-N 0470

5 Pasco Hill Road • Cromwell, CT 06416-1093  
 Phone: 860-828-0847 • Call Toll Free: 800-243-6032 • Fax: 860-828-0381  
 Web Address: <http://www.amatom.com> • E-Mail: [sales@amatom.com](mailto:sales@amatom.com)

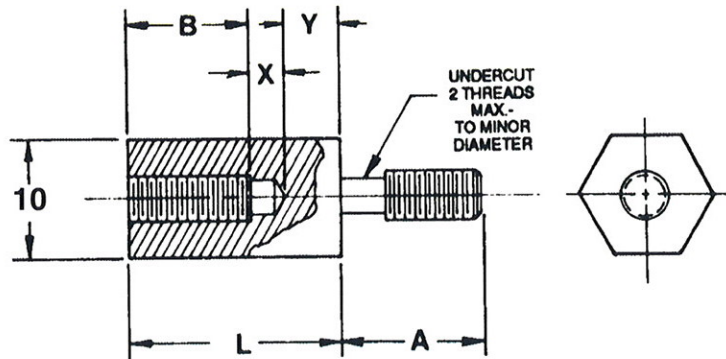
### 10MM HEX STANDOFFS MALE/FEMALE

CHART A				APPROX NO. OF THDS MIN.
"L" MM	P/N	THREAD	"B" MIN	
6	20001	M3.5 x 0.6	2.5	4.0
		M4.0 x 0.7	2.0	2.8
		M5.0 x 0.8	1.7	2.1
10	20005	M3.5 x 0.6	6.0	9.8
		M4.0 x 0.7	5.7	8.0
		M5.0 x 0.8	5.5	6.7
13	20008	M4.0 x 0.7	8.8	12.3
		M5.0 x 0.8	8.5	10.4
16	20011	M5.0 x 0.8	11.0	13.5

Y=.032 MIN

CHART B				
THREAD	A	B	Y	X
M2.5 x 0.45	3.97	4.76	0.8	1.5
M3.0 x 0.5	4.76	6.35	0.8	1.5
M3.5 x 0.6	6.35	9.53	1.0	1.9
M4.0 x 0.7	9.53	11.1	1.3	1.9
M5.0 x 0.8	9.53	12.7	1.7	1.9

Chart "B" Standards for P/N Below Solid Line.



**IMPORTANT!!!** FOR ITEMS ABOVE SOLID LINE  
SEE CHART "A" FOR DEPTH OF FEMALE THREAD  
DIMENSION "B" ON DRAWING.

METRIC MALE-FEMALE STANDOFFS

L Length (MM)	BRASS (B)			ALUM (A)			STAINLESS STEEL (SS)			NYLON (N)		
	Thread M3.5 x 0.6	Thread M4 x 0.7	Thread M5 x 0.8	Thread M3.5 x 0.6	Thread M4 x 0.7	Thread M5 x 0.8	Thread M3.5 x 0.6	Thread M4 x 0.7	Thread M5 x 0.8	Thread M3.5 x 0.6	Thread M4 x 0.7	Thread M5 x 0.8
6	20001-B 3560	20001-B 0470	20001-B 0580	20001-A 3560	20001-A 0470	20001-A 0580	20001-SS 3560	20001-SS 0470	20001-SS 0580	20001-N 3560	20001-N 0470	20001-N 0580
	20005-B 3560	20005-B 0470	20005-B 0580	20005-A 3560	20005-A 0470	20005-A 0580	20005-SS 3560	20005-SS 0470	20005-SS 0580	20005-N 3560	20005-N 0470	20005-N 0580
13	20008-B 3560	20008-B 0470	20008-B 0580	20008-A 3560	20008-A 0470	20008-A 0580	20008-SS 3560	20008-SS 0470	20008-SS 0580	20008-N 3560	20008-N 0470	20008-N 0580
	20011-B 3560	20011-B 0470	20011-B 0580	20011-A 3560	20011-A 0470	20011-A 0580	20011-SS 3560	20011-SS 0470	20011-SS 0580	20011-N 3560	20011-N 0470	20011-N 0580
19	20014-B 3560	20014-B 0470	20014-B 0580	20014-A 3560	20014-A 0470	20014-A 0580	20014-SS 3560	20014-SS 0470	20014-SS 0580	20014-N 3560	20014-N 0470	20014-N 0580
	20017-B 3560	20017-B 0470	20017-B 0580	20017-A 3560	20017-A 0470	20017-A 0580	20017-SS 3560	20017-SS 0470	20017-SS 0580	20017-N 3560	20017-N 0470	20017-N 0580
25	20020-B 3560	20020-B 0470	20020-B 0580	20020-A 3560	20020-A 0470	20020-A 0580	20020-SS 3560	20020-SS 0470	20020-SS 0580	20020-N 3560	20020-N 0470	20020-N 0580
	20025-B 3560	20025-B 0470	20025-B 0580	20025-A 3560	20025-A 0470	20025-A 0580	20025-SS 3560	20025-SS 0470	20025-SS 0580	20025-N 3560	20025-N 0470	20025-N 0580
32	20027-B 3560	20027-B 0470	20027-B 0580	20027-A 3560	20027-A 0470	20027-A 0580	20027-SS 3560	20027-SS 0470	20027-SS 0580	20027-N 3560	20027-N 0470	20027-N 0580
	20030-B 3560	20030-B 0470	20030-B 0580	20030-A 3560	20030-A 0470	20030-A 0580	20030-SS 3560	20030-SS 0470	20030-SS 0580	20030-N 3560	20030-N 0470	20030-N 0580
38	20033-B 3560	20033-B 0470	20033-B 0580	20033-A 3560	20033-A 0470	20033-A 0580	20033-SS 3560	20033-SS 0470	20033-SS 0580	20033-N 3560	20033-N 0470	20033-N 0580
	20036-B 3560	20036-B 0470	20036-B 0580	20036-A 3560	20036-A 0470	20036-A 0580	20036-SS 3560	20036-SS 0470	20036-SS 0580	20036-N 3560	20036-N 0470	20036-N 0580
44	20039-B 3560	20039-B 0470	20039-B 0580	20039-A 3560	20039-A 0470	20039-A 0580	20039-SS 3560	20039-SS 0470	20039-SS 0580	20039-N 3560	20039-N 0470	20039-N 0580
	20043-B 3560	20043-B 0470	20043-B 0580	20043-A 3560	20043-A 0470	20043-A 0580	20043-SS 3560	20043-SS 0470	20043-SS 0580	20043-N 3560	20043-N 0470	20043-N 0580
51	20046-B 3560	20046-B 0470	20046-B 0580	20046-A 3560	20046-A 0470	20046-A 0580	20046-SS 3560	20046-SS 0470	20046-SS 0580	20046-N 3560	20046-N 0470	20046-N 0580

5 Pasco Hill Road • Cromwell, CT 06416-1093  
 Phone: 860-828-0847 • Call Toll Free: 800-243-6032 • Fax: 860-828-0381  
 Web Address: <http://www.amatom.com> • E-Mail: [sales@amatom.com](mailto:sales@amatom.com)

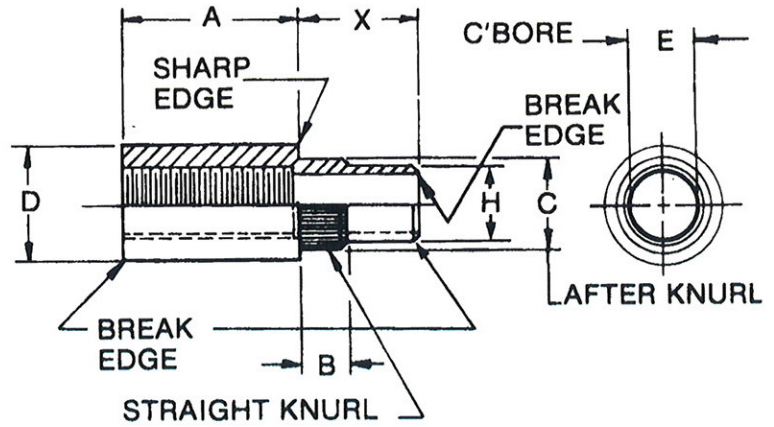
### 6MM ROUND ANTI-ROTATION STANDOFFS

Dimensions and Tolerances	
Thread Size	M3.0 x 0.5
E	3.3MM ± .05
C	4.5MM + .10 - .05
D	6.0MM ± .13
*X	2.2MM ± .08
H	4.2MM +.000 - .10

**SWAGE TOOLING**  
Punch PSP 062-4

ANVIL	BODY LENGTH
PSA 110-1	3-5MM
2	6-11MM
3	13-16MM
4	19-25MM

M3 x 0.5 THREAD



\*Special application for 1.6 thick board/Press-fit & Stake.

A	X	B	T	BRASS (B)	STEEL (S)
LGTH (MM) ±.1	Shank ±.1	Knurl ±.1	Board Thick.	Thread M3 x 0.5	Thread M3 x 0.5
3	1.9	0.8	0.8	21001A-B-0350	21001A-S-0350
3	2.7	1.5	1.6	21001B-B-0350	21001B-S-0350
3	3.4	1.5	2.4	21001C-B-0350	21001C-S-0350
3	4.2	1.5	3.2	21001D-B-0350	21001D-S-0350
*3	2.2	1.5	1.6	21102B-B-0350	21102B-S-0350
5	1.9	0.8	0.8	21003A-B-0350	21003A-S-0350
5	2.7	1.5	1.6	21003B-B-0350	21003B-S-0350
5	3.4	1.5	2.4	21003C-B-0350	21003C-S-0350
5	4.2	1.5	3.2	21003D-B-0350	21003D-S-0350
*5	2.2	1.5	1.6	21104B-B-0350	21104B-S-0350
6	1.9	0.8	0.8	21004A-B-0350	21004A-S-0350
6	2.7	1.5	1.6	21004B-B-0350	21004B-S-0350
6	3.4	1.5	2.4	21004C-B-0350	21004C-S-0350
6	4.2	1.5	3.2	21004D-B-0350	21004D-S-0350
*6	2.2	1.5	1.6	21105B-B-0350	21105B-S-0350
8	1.9	0.8	0.8	21006A-B-0350	21006A-S-0350
8	2.7	1.5	1.6	21006B-B-0350	21006B-S-0350
8	3.4	1.5	2.4	21006C-B-0350	21006C-S-0350
8	4.2	1.5	3.2	21006D-B-0350	21006D-S-0350
*8	2.2	1.5	1.6	21107B-B-0350	21107B-S-0350
10	1.9	0.8	0.8	21008A-B-0350	21008A-S-0350
10	2.7	1.5	1.6	21008B-B-0350	21008B-S-0350
10	3.4	1.5	2.4	21008C-B-0350	21008C-S-0350
10	4.2	1.5	3.2	21008D-B-0350	21008D-S-0350
*10	2.2	1.5	1.6	21109B-B-0350	21109B-S-0350
11	1.9	0.8	0.8	21009A-B-0350	21009A-S-0350
11	2.7	1.5	1.6	21009B-B-0350	21009B-S-0350
11	3.4	1.5	2.4	21009C-B-0350	21009C-S-0350
11	4.2	1.5	3.2	21009D-B-0350	21009D-S-0350
*11	2.2	1.5	1.6	21110B-B-0350	21110B-S-0350

A	X	B	T	BRASS (B)	STEEL (S)
LGTH (MM) ±.1	Shank ±.1	Knurl ±.1	Board Thick.	Thread M3 x 0.5	Thread M3 x 0.5
13	1.9	0.8	0.8	21011A-B-0350	21011A-S-0350
13	2.7	1.5	1.6	21011B-B-0350	21011B-S-0350
13	3.4	1.5	2.4	21011C-B-0350	21011C-S-0350
13	4.2	1.5	3.2	21011D-B-0350	21011D-S-0350
*13	2.2	1.5	1.6	21112B-B-0350	21112B-S-0350
14	1.9	0.8	0.8	21012A-B-0350	21012A-S-0350
14	2.7	1.5	1.6	21012B-B-0350	21012B-S-0350
14	3.4	1.5	2.4	21012C-B-0350	21012C-S-0350
14	4.2	1.5	3.2	21012D-B-0350	21012D-S-0350
*14	2.2	1.5	1.6	21113B-B-0350	21113B-S-0350
16	1.9	0.8	0.8	21014A-B-0350	21014A-S-0350
16	2.7	1.5	1.6	21014B-B-0350	21014B-S-0350
16	3.4	1.5	2.4	21014C-B-0350	21014C-S-0350
16	4.2	1.5	3.2	21014D-B-0350	21014D-S-0350
*16	2.2	1.5	1.6	21115B-B-0350	21115B-S-0350
19	1.9	0.8	0.8	21017A-B-0350	21017A-S-0350
19	2.7	1.5	1.6	21017B-B-0350	21017B-S-0350
19	3.4	1.5	2.4	21017C-B-0350	21017C-S-0350
19	4.2	1.5	3.2	21017D-B-0350	21017D-S-0350
*19	2.2	1.5	1.6	21118B-B-0350	21118B-S-0350
22	1.9	0.8	0.8	21020A-B-0350	21020A-S-0350
22	2.7	1.5	1.6	21020B-B-0350	21020B-S-0350
22	3.4	1.5	2.4	21020C-B-0350	21020C-S-0350
22	4.2	1.5	3.2	21020D-B-0350	21020D-S-0350
*22	2.2	1.5	1.6	21121B-B-0350	21121B-S-0350
25	1.9	0.8	0.8	21023A-B-0350	21023A-S-0350
25	2.7	1.5	1.6	21023B-B-0350	21023B-S-0350
25	3.4	1.5	2.4	21023C-B-0350	21023C-S-0350
25	4.2	1.5	3.2	21023D-B-0350	21023D-S-0350
*25	2.2	1.5	1.6	21124B-B-0350	21124B-S-0350

5 Pasco Hill Road • Cromwell, CT 06416-1093  
 Phone: 860-828-0847 • Call Toll Free: 800-243-6032 • Fax: 860-828-0381  
 Web Address: <http://www.amatom.com> • E-Mail: [sales@amatom.com](mailto:sales@amatom.com)

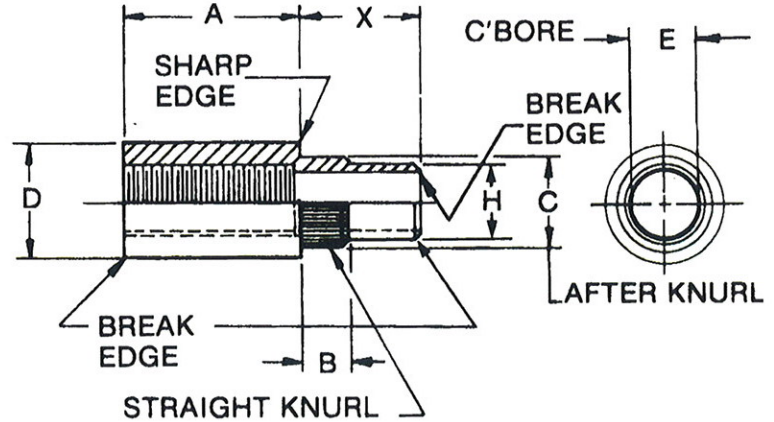
### 8MM ROUND ANTI-ROTATION STANDOFFS

Dimensions and Tolerances	
Thread Size	M3.5 x 0.6
E	4.5MM ± .05
C	5.7MM + .10 - .05
D	8.0MM ± .13
*X	2.2MM ± .08
H	5.4MM +.000 - .10

SWAGE TOOLING  
Punch PSP 062-6

ANVIL	BODY LENGTH
PSA 202-1	3-5MM
2	6-11MM
3	13-16MM
4	19-25MM

M3.5 x 0.6 THREAD



\*Special application for 1.6 thick board/Press-fit & Stake.

A	X	B	T	BRASS (B)	STEEL (S)
LGTH (MM) ±.1	Shank ±.1	Knurl ±.1	Board Thick.	Thread M3.5 x 0.5	Thread M3.5 x 0.6
3	1.9	0.8	0.8	21025A-B-0356	21025A-S-0356
3	2.7	1.5	1.6	21025B-B-0356	21025B-S-0356
3	3.4	1.5	2.4	21025C-B-0356	21025C-S-0356
3	4.2	1.5	3.2	21025D-B-0356	21025D-S-0356
*3	2.2	1.5	1.6	21127B-B-0356	21127B-S-0356
5	1.9	0.8	0.8	21027A-B-0356	21027A-S-0356
5	2.7	1.5	1.6	21027B-B-0356	21027B-S-0356
5	3.4	1.5	2.4	21027C-B-0356	21027C-S-0356
5	4.2	1.5	3.2	21027D-B-0356	21027D-S-0356
*5	2.2	1.5	1.6	21129B-B-0356	21129B-S-0356
6	1.9	0.8	0.8	21028A-B-0356	21028A-S-0356
6	2.7	1.5	1.6	21028B-B-0356	21028B-S-0356
6	3.4	1.5	2.4	21028C-B-0356	21028C-S-0356
6	4.2	1.5	3.2	21028D-B-0356	21028D-S-0356
*6	2.2	1.5	1.6	21130B-B-0356	21130B-S-0356
8	1.9	0.8	0.8	21030A-B-0356	21030A-S-0356
8	2.7	1.5	1.6	21030B-B-0356	21030B-S-0356
8	3.4	1.5	2.4	21030C-B-0356	21030C-S-0356
8	4.2	1.5	3.2	21030D-B-0356	21030D-S-0356
*8	2.2	1.5	1.6	21132B-B-0356	21132B-S-0356
10	1.9	0.8	0.8	21032A-B-0356	21032A-S-0356
10	2.7	1.5	1.6	21032B-B-0356	21032B-S-0356
10	3.4	1.5	2.4	21032C-B-0356	21032C-S-0356
10	4.2	1.5	3.2	21032D-B-0356	21032D-S-0356
*10	2.2	1.5	1.6	21134B-B-0356	21134B-S-0356
11	1.9	0.8	0.8	21033A-B-0356	21033A-S-0356
11	2.7	1.5	1.6	21033B-B-0356	21033B-S-0356
11	3.4	1.5	2.4	21033C-B-0356	21033C-S-0356
11	4.2	1.5	3.2	21033D-B-0356	21033D-S-0356
*11	2.2	1.5	1.6	21135B-B-0356	21135B-S-0356

A	X	B	T	BRASS (B)	STEEL (S)
LGTH (MM) ±.1	Shank ±.1	Knurl ±.1	Board Thick.	Thread M3.5 x 0.6	Thread M3.5 x 0.6
13	1.9	0.8	0.8	21035A-B-0356	21035A-S-0356
13	2.7	1.5	1.6	21035B-B-0356	21035B-S-0356
13	3.4	1.5	2.4	21035C-B-0356	21035C-S-0356
13	4.2	1.5	3.2	21035D-B-0356	21035D-S-0356
*13	2.2	1.5	1.6	21137B-B-0356	21137B-S-0356
14	1.9	0.8	0.8	21036A-B-0356	21036A-S-0356
14	2.7	1.5	1.6	21036B-B-0356	21036B-S-0356
14	3.4	1.5	2.4	21036C-B-0356	21036C-S-0356
14	4.2	1.5	3.2	21036D-B-0356	21036D-S-0356
*14	2.2	1.5	1.6	21138B-B-0356	21138B-S-0356
16	1.9	0.8	0.8	21038A-B-0356	21038A-S-0356
16	2.7	1.5	1.6	21038B-B-0356	21038B-S-0356
16	3.4	1.5	2.4	21038C-B-0356	21038C-S-0356
16	4.2	1.5	3.2	21038D-B-0356	21038D-S-0356
*16	2.2	1.5	1.6	21140B-B-0356	21140B-S-0356
19	1.9	0.8	0.8	21041A-B-0356	21041A-S-0356
19	2.7	1.5	1.6	21041B-B-0356	21041B-S-0356
19	3.4	1.5	2.4	21041C-B-0356	21041C-S-0356
19	4.2	1.5	3.2	21041D-B-0356	21041D-S-0356
*19	2.2	1.5	1.6	21143B-B-0356	21143B-S-0356
22	1.9	0.8	0.8	21044A-B-0356	21044A-S-0356
22	2.7	1.5	1.6	21044B-B-0356	21044B-S-0356
22	3.4	1.5	2.4	21044C-B-0356	21044C-S-0356
22	4.2	1.5	3.2	21044D-B-0356	21044D-S-0356
*22	2.2	1.5	1.6	21146B-B-0356	21146B-S-0356
25	1.9	0.8	0.8	21047A-B-0356	21047A-S-0356
25	2.7	1.5	1.6	21047B-B-0356	21047B-S-0356
25	3.4	1.5	2.4	21047C-B-0356	21047C-S-0356
25	4.2	1.5	3.2	21047D-B-0356	21047D-S-0356
*25	2.2	1.5	1.6	21149B-B-0356	21149B-S-0356

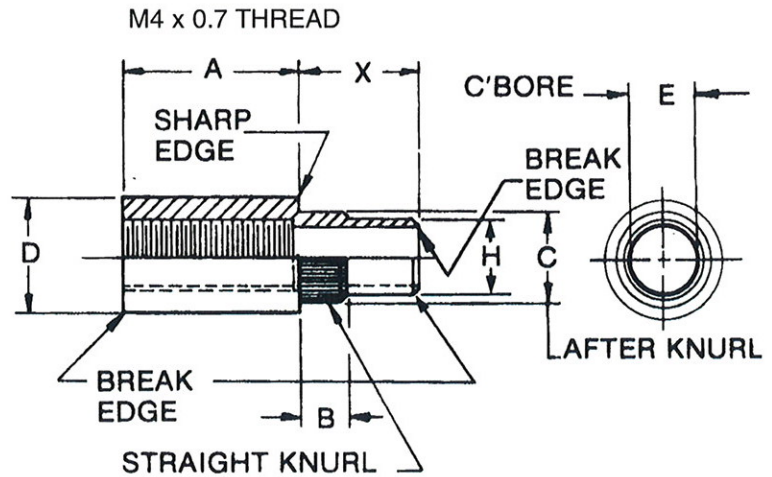
5 Pasco Hill Road • Cromwell, CT 06416-1093  
 Phone: 860-828-0847 • Call Toll Free: 800-243-6032 • Fax: 860-828-0381  
 Web Address: <http://www.amatom.com> • E-Mail: [sales@amatom.com](mailto:sales@amatom.com)

### 8MM ROUND ANTI-ROTATION STANDOFFS

Dimensions and Tolerances	
Thread Size	M4 x 0.7
E	5.4MM ± .05
C	6.7MM + .10 - .05
D	8.0MM ± .13
H	6.35MM +.000 - .10

**SWAGE TOOLING**  
Punch PSP 062-8

ANVIL	BODY LENGTH
PSA 202-1	3-5MM
2	6-11MM
3	13-16MM
4	19-25MM



A	X	B	T	BRASS (B)		STEEL (S)	
				Thread M4 x 0.7	Thread M4 x 0.7		
3	1.9	0.8	0.8	21050A-B-0470	21050A-S-0470		
3	2.7	1.5	1.6	21050B-B-0470	21050B-S-0470		
3	3.4	1.5	2.4	21050C-B-0470	21050C-S-0470		
3	4.2	1.5	3.2	21050D-B-0470	21050D-S-0470		
5	1.9	0.8	0.8	21052A-B-0470	21052A-S-0470		
5	2.7	1.5	1.6	21052B-B-0470	21052B-S-0470		
5	3.4	1.5	2.4	21052C-B-0470	21052C-S-0470		
5	4.2	1.5	3.2	21052D-B-0470	21052D-S-0470		
6	1.9	0.8	0.8	21053A-B-0470	21053A-S-0470		
6	2.7	1.5	1.6	21053B-B-0470	21053B-S-0470		
6	3.4	1.5	2.4	21053C-B-0470	21053C-S-0470		
6	4.2	1.5	3.2	21053D-B-0470	21053D-S-0470		
8	1.9	0.8	0.8	21055A-B-0470	21055A-S-0470		
8	2.7	1.5	1.6	21055B-B-0470	21055B-S-0470		
8	3.4	1.5	2.4	21055C-B-0470	21055C-S-0470		
8	4.2	1.5	3.2	21055D-B-0470	21055D-S-0470		
10	1.9	0.8	0.8	21057A-B-0470	21057A-S-0470		
10	2.7	1.5	1.6	21057B-B-0470	21057B-S-0470		
10	3.4	1.5	2.4	21057C-B-0470	21057C-S-0470		
10	4.2	1.5	3.2	21057D-B-0470	21057D-S-0470		
11	1.9	0.8	0.8	21058A-B-0470	21058A-S-0470		
11	2.7	1.5	1.6	21058B-B-0470	21058B-S-0470		
11	3.4	1.5	2.4	21058C-B-0470	21058C-S-0470		
11	4.2	1.5	3.2	21058D-B-0470	21058D-S-0470		

A	X	B	T	BRASS (B)		STEEL (S)	
				Thread M4 x 0.7	Thread M4 x 0.7		
13	1.9	0.8	0.8	21060A-B-0470	21060A-S-0470		
13	2.7	1.5	1.6	21060B-B-0470	21060B-S-0470		
13	3.4	1.5	2.4	21060C-B-0470	21060C-S-0470		
13	4.2	1.5	3.2	21060D-B-0470	21060D-S-0470		
14	1.9	0.8	0.8	21061A-B-0470	21061A-S-0470		
14	2.7	1.5	1.6	21061B-B-0470	21061B-S-0470		
14	3.4	1.5	2.4	21061C-B-0470	21061C-S-0470		
14	4.2	1.5	3.2	21061D-B-0470	21061D-S-0470		
16	1.9	0.8	0.8	21063A-B-0470	21063A-S-0470		
16	2.7	1.5	1.6	21063B-B-0470	21063B-S-0470		
16	3.4	1.5	2.4	21063C-B-0470	21063C-S-0470		
16	4.2	1.5	3.2	21063D-B-0470	21063D-S-0470		
19	1.9	0.8	0.8	21066A-B-0470	21066A-S-0470		
19	2.7	1.5	1.6	21066B-B-0470	21066B-S-0470		
19	3.4	1.5	2.4	21066C-B-0470	21066C-S-0470		
19	4.2	1.5	3.2	21066D-B-0470	21066D-S-0470		
22	1.9	0.8	0.8	21069A-B-0470	21069A-S-0470		
22	2.7	1.5	1.6	21069B-B-0470	21069B-S-0470		
22	3.4	1.5	2.4	21069C-B-0470	21069C-S-0470		
22	4.2	1.5	3.2	21069D-B-0470	21069D-S-0470		
25	1.9	0.8	0.8	21072A-B-0470	21072A-S-0470		
25	2.7	1.5	1.6	21072B-B-0470	21072B-S-0470		
25	3.4	1.5	2.4	21072C-B-0470	21072C-S-0470		
25	4.2	1.5	3.2	21072D-B-0470	21072D-S-0470		

METRIC ANTI-ROTATION STANDOFFS

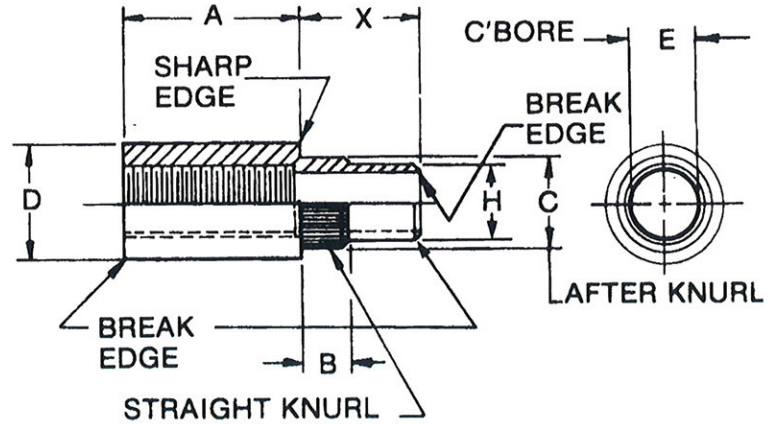
### 10MM ROUND ANTI-ROTATION STANDOFFS

Dimensions and Tolerances	
Thread Size	M5.0 x 0.8
E	6.0MM ±.05
C	7.2MM +.10 -.05
D	10.0MM ±.13
H	6.9MM +.000 -.10

#### SWAGE TOOLING Punch PSP 062-6

ANVIL	BODY LENGTH
PSA 190-1	3-5MM
2	6-11MM
3	13-16MM
4	19-25MM

M5 x 0.8 THREAD



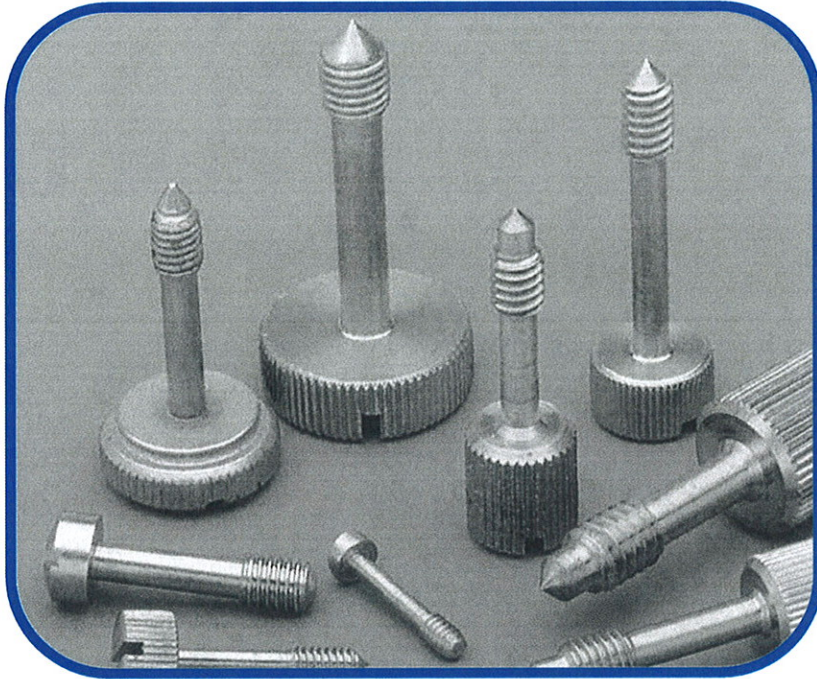
METRIC ANTI-ROTATION STANDOFFS

A	X	B	T	BRASS (B)	STEEL (S)
LGTH (MM) ±.1	Shank ±.1	Knurl ±.1	Board Thick.	Thread M5x0.8	Thread M5x0.8
3	1.9	0.8	0.8	21075A-B-0580	21075A-S-0580
3	2.7	1.5	1.6	21075B-B-0580	21075B-S-0580
3	3.4	1.5	2.4	21075C-B-0580	21075C-S-0580
3	4.2	1.5	3.2	21075D-B-0580	21075D-S-0580
5	1.9	0.8	0.8	21077A-B-0580	21077A-S-0580
5	2.7	1.5	1.6	21077B-B-0580	21077B-S-0580
5	3.4	1.5	2.4	21077C-B-0580	21077C-S-0580
5	4.2	1.5	3.2	21077D-B-0580	21077D-S-0580
6	1.9	0.8	0.8	21078A-B-0580	21078A-S-0580
6	2.7	1.5	1.6	21078B-B-0580	21078B-S-0580
6	3.4	1.5	2.4	21078C-B-0580	21078C-S-0580
6	4.2	1.5	3.2	21078D-B-0580	21078D-S-0580
8	1.9	0.8	0.8	21080A-B-0580	21080A-S-0580
8	2.7	1.5	1.6	21080B-B-0580	21080B-S-0580
8	3.4	1.5	2.4	21080C-B-0580	21080C-S-0580
8	4.2	1.5	3.2	21080D-B-0580	21080D-S-0580
10	1.9	0.8	0.8	21082A-B-0580	21082A-S-0580
10	2.7	1.5	1.6	21082B-B-0580	21082B-S-0580
10	3.4	1.5	2.4	21082C-B-0580	21082C-S-0580
10	4.2	1.5	3.2	21082D-B-0580	21082D-S-0580
11	1.9	0.8	0.8	21083A-B-0580	21083A-S-0580
11	2.7	1.5	1.6	21083B-B-0580	21083B-S-0580
11	3.4	1.5	2.4	21083C-B-0580	21083C-S-0580
11	4.2	1.5	3.2	21083D-B-0580	21083D-S-0580

A	X	B	T	BRASS (B)	STEEL (S)
LGTH (MM) ±.1	Shank ±.1	Knurl ±.1	Board Thick.	Thread M5x0.8	Thread M5x0.8
13	1.9	0.8	0.8	21085A-B-0580	21085A-S-0580
13	2.7	1.5	1.6	21085B-B-0580	21085B-S-0580
13	3.4	1.5	2.4	21085C-B-0580	21085C-S-0580
13	4.2	1.5	3.2	21085D-B-0580	21085D-S-0580
14	1.9	0.8	0.8	21086A-B-0580	21086A-S-0580
14	2.7	1.5	1.6	21086B-B-0580	21086B-S-0580
14	3.4	1.5	2.4	21086C-B-0580	21086C-S-0580
14	4.2	1.5	3.2	21086D-B-0580	21086D-S-0580
16	1.9	0.8	0.8	21088A-B-0580	21088A-S-0580
16	2.7	1.5	1.6	21088B-B-0580	21088B-S-0580
16	3.4	1.5	2.4	21088C-B-0580	21088C-S-0580
16	4.2	1.5	3.2	21088D-B-0580	21088D-S-0580
19	1.9	0.8	0.8	21091A-B-0580	21091A-S-0580
19	2.7	1.5	1.6	21091B-B-0580	21091B-S-0580
19	3.4	1.5	2.4	21091C-B-0580	21091C-S-0580
19	4.2	1.5	3.2	21091D-B-0580	21091D-S-0580
22	1.9	0.8	0.8	21094A-B-0580	21094A-S-0580
22	2.7	1.5	1.6	21094B-B-0580	21094B-S-0580
22	3.4	1.5	2.4	21094C-B-0580	21094C-S-0580
22	4.2	1.5	3.2	21094D-B-0580	21094D-S-0580
25	1.9	0.8	0.8	21097A-B-0580	21097A-S-0580
25	2.7	1.5	1.6	21097B-B-0580	21097B-S-0580
25	3.4	1.5	2.4	21097C-B-0580	21097C-S-0580
25	4.2	1.5	3.2	21097D-B-0580	21097D-S-0580

5 Pasco Hill Road • Cromwell, CT 06416-1093  
 Phone: 860-828-0847 • Call Toll Free: 800-243-6032 • Fax: 860-828-0381  
 Web Address: <http://www.amatom.com> • E-Mail: [sales@amatom.com](mailto:sales@amatom.com)

# AMATOM®



## **CAPTIVE PANEL HARDWARE SCREWS - RETAINERS**

**ELECTRONIC HARDWARE  
REFERENCE MANUAL**

*Call Toll Free*

From anywhere in the USA Call Cromwell, CT **1-800-243-6032**

**AMATOM ELECTRONIC HARDWARE**

5 Pasco Hill Road

Cromwell, CT 06416-1093

860-828-0847

Fax: 860-828-0381

E-Mail: [sales@amatom.com](mailto:sales@amatom.com)

Web Address: <http://www.amatom.com>

**CAPTIVE PANEL HARDWARE**

This Reference Manual has been compiled to make available to Engineers and Buyers in the Electronic Industry the most comprehensive listing of CAPTIVE PANEL HARDWARE that is AVAILABLE IN THE ELECTRONIC INDUSTRY.

**NOTE 1** Any style captive screw or any style retainer must be purchased individually, thereby allowing the design section to obtain either or both parts of the assembly-**AS REQUIRED**.



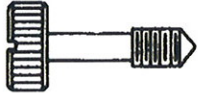

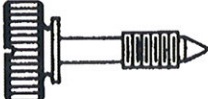
**NOTE 2** Variations in dimensions of any part may be obtained. Please consult AMATOM SALES OFFICE for price and delivery.

**NOTE 3** Captive panel screws can be used with **ANY LISTED RETAINER** depending upon the individual's design preference (see note 4).

**NOTE 4** Amatom can supply a variety of captive hardware according to MS drawings including the following captive screws: MS 17184; MS 25087; MS 51957; MS 90402.

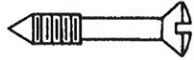
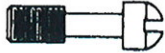
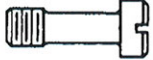
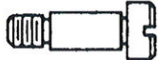
This section of CAPTIVE PANEL SCREWS and CAPTIVE PANEL RETAINERS includes the following listed categories of types, styles, lengths, thread sizes and materials.

### CAPTIVE PANEL SCREWS

	TYPE	PAGE	LENGTH	HEAD SIZES	THREAD	MATERIALS
	1	68-69	3/8" to 2"	5/16" to 5/8" dia.	4-40 to 5/16-24	Stainless steel and brass
	2A	70-71	21/32" to 29/32"	5/16" to 3/8" dia.	4-40 to 6-32	Stainless steel and brass
	2B	71	15/16" to 1-3/8"	7/16" to 3/4" dia.	8-32 to 5/16-24	Stainless steel and brass
	3A	72-73	1/2" to 1"	5/16" dia.	4-40 to 6-32	Stainless steel and brass
	3B	73	3/4" to 1-7/16"	1/2" to 3/4" dia.	8-32 to 1/4-20	Stainless steel and brass

5 Pasco Hill Road • Cromwell, CT 06416-1093  
 Phone: 860-828-0847 • Call Toll Free: 800-243-6032 • Fax: 860-828-0381  
 Web Address: <http://www.amatom.com> • E-Mail: [sales@amatom.com](mailto:sales@amatom.com)



LENGTH	HEAD SIZES	THREAD	MATERIALS	PAGE	TYPE	
3/8" to 1-1/2"	7/32" to 3/8" dia.	4-40 to 10-32	Stainless steel and brass	74-75	4	
1/4" to 1-1/4"	1/8" to 5/16" dia.	2-56 to 10-32	Stainless steel and brass	78-79	5	
15/32" to 29/32"	1/4" to 3/8" dia.	4-40 to 10-32	Stainless steel	77	6	
9/32" to 1-3/4"	1/4" to 3/8" dia.	4-40 to 10-32	Aluminum Brass Stainless steel	77	7	

### CAPTIVE PANEL WASHER



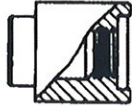
BR-AL-SS-N


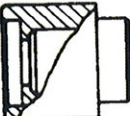


Anti-rotating countersunk washer used with type 4 captive screw or any other countersunk head screw to secure front plate of panel without damaging finish after repeated use.

74-75 4



### CAPTIVE PANEL RETAINERS

SHANK LENGTH	DIAMETER	HGT. FROM PANEL	THREAD SIZES	MATERIALS	PAGE	TYPE	
.050, .080, .125, .188 .250	1/4" to 7/8"	.124" to .482"	4-40 to 3/8-16	Stainless steel and brass	80-81	Screw 1	
.062, .093, .125, .187, .250	1/4" to 1/2"	.250" to .500"	4-40 to 1/4-28	Stainless steel and brass	82-83	Screw 2A	
.062, .093, .125, .187, .250	5/16" to 1/2"	.312" to .563"	4-40 to 1/4-28	Stainless steel and brass	84-85	Screw Spring 2B	

	TYPE	PAGE	SHANK LENGTH	DIAMETER	HGT. FR. PANEL	THREAD SIZES	MATERIALS
	Retainer 2C	86-87	.062, .093, .125, .187, .250	1/4" to 1/2"	.218" to .438"	4-40 to 1/4-28	Stainless steel and brass
	Spring Retainer 2D	88-89	.062, .093, .125, .187, .250	5/16" to 1/2"	.281" to .531"	4-40 to 1/4-28	Stainless steel and brass
	Screw 3	90-91	.062, .093, .125, .187, .250	1/4" to 1/2"	.125" to .375"	4-40 to 5/16-24	Stainless steel and brass
	Screw 3A	92	.165, .230 .290	9/16"	.312"	6-32 to 1/4-20	Stainless steel and brass

The dimensions as listed in this manual are functional. Amatom's hardware is inspected Per MIL-STD-105 during production and rechecked before shipment.

Amatom reserves the right to make adjustments in dimensions and specifications at any time without notice. Customer's inspection should be determined primarily on functionality.

### PLEASE READ THIS CAREFULLY

#### SCREWS - EXPLANATION OF AMATOM PART NUMBERS

**61XX – B – 0440 – 4**

This number indicates the style and length of the screw. The number for each different length in any one style is the same for all head sizes.† (Head size is determined by thread size unless otherwise specified as in Note 3 below.) †Except type 2.

This letter indicates the material from which part is made. (See chart A, page 66.)

This number designates the thread size. Thread size determines all dimensions of screw, except length, unless otherwise specified. (See Chart B, page 66.)

This number designates the finish of the part. Customer must add this number. (See Chart C, page 66.)

- Notes: 1. Standard finishes are stocked as listed under each type. If other than standard finishes are required, see Chart C page 66.  
2. For screws with unslotted heads, add the letter U after the first four digits as follows - 61XXU.

#### SPECIAL SIZES:

- For parts not listed in this catalog, please send a print to Amatom's Sales Office. Some typical modifications include:
- Different Length, Dimension "L".
  - Different Combinations of Head Sizes and Thread Sizes.

#### RETAINERS - EXPLANATION OF AMATOM PART NUMBERS

**62XX – A – B – 0440 – 4**

This number indicates the style and size of the retainer (see tables.)

This letter designates the shank length (see tables.)

This letter indicates the material from which part is made (see Chart A.)

This number designates the thread size of the screw used with the retainer (see Chart B.)

This number designates the finish of the part. Customer must add this number. (See note below.)

- Notes: 1. Standard finishes stocked are as listed under each type. If other than standard finishes are required, see Chart C page 66.  
2. For special shank lengths contact Amatom Sales Office.

#### SHANK LENGTH - RETAINERS

The same system has been followed with the addition of letters "A" through "E" added to the number designating the length of the shank - as follows:

Note: For special shank lengths contact Sales Office.

**TABLE 15**  
**Type 1**  
CODE FOR  
SHANK LENGTH (A DIM.)

CODE	LENGTH OF SHANK	PANEL THICKNESS
A	.050	.048-.072
B	.080	.074-.109
C	.125	.119-.156
D	.188	.188
E	.250	.250

**TABLE 17**  
**Type 2A-B-C-D Type 3**  
CODE FOR  
SHANK LENGTH (A DIM.)

CODE	LENGTH OF SHANK	PANEL THICKNESS
A	.062	.052-.067
B	.093	.084-.099
C	.125	.109-.140
D	.187	.171-.203
E	.250	.234-.265

**TABLE 26**  
**Type 3A**  
CODE FOR  
SHANK LENGTH (A DIM.)

CODE	LENGTH OF SHANK	PANEL THICKNESS
A	-	.052-.067
B	-	.084-.099
C	.165	.109-.140
D	.230	.171-.203
E	.290	.234-.265

5 Pasco Hill Road • Cromwell, CT 06416-1093  
Phone: 860-828-0847 • Call Toll Free: 800-243-6032 • Fax: 860-828-0381  
Web Address: <http://www.amatom.com> • E-Mail: [sales@amatom.com](mailto:sales@amatom.com)

**Tolerances** as specified in tables, otherwise standard tolerances as follows:

Decimals  $\pm .005$       Fractions  $\pm 1/64"$       Angles  $\pm 5^\circ$

### MATERIALS CHART A

MATERIAL	CODE LETTER	MATERIAL SPECIFICATIONS
Brass	<b>B</b>	Alloy 360, 353 ASTM B16
Aluminum	<b>A</b>	<sup>1</sup> QQ-A-225/3 (2011-T3) QQ-A-200/8 QQ-A-225/6 (2024-T4) QQ-A-225/8 (6061-T6) QQ-A-200/9 (6063-T5)
Stainless Steel	<b>SS</b>	ASTM A 582
Steel	<b>S</b>	QQ-S-637
Nylon	<b>N</b>	<sup>2</sup> LP-410

Notes: 1. Depending upon application.  
2. Smallest thread size recommended is 4-40.

### THREAD CODE

Per handbook H-28 (Part 1)

Screw Thread Standards (Federal)

Thread code is the 4 digit number assigned to the part number to designate the thread size of the part. All threads are Class 2A and 2B (commercial).

### CHART B

Thread Size	AMATOM Thread Code	Thread Size	AMATOM Thread Code	Thread Size	AMATOM Thread Code
0-80	<b>0080</b>	5-44	<b>0544</b>	1/4-32	<b>2532</b>
1-64	<b>0164</b>	6-32	<b>0632</b>	5/16-18	<b>3118</b>
1-72	<b>0172</b>	6-40	<b>0640</b>	5/16-24	<b>3124</b>
2-56	<b>0256</b>	8-32	<b>0832</b>	3/8-16	<b>3716</b>
2-64	<b>0264</b>	8-36	<b>0836</b>	3/8-24	<b>3724</b>
3-48	<b>0348</b>	10-24	<b>1024</b>	3/8-32	<b>3732</b>
3-56	<b>0356</b>	10-32	<b>1032</b>	7/16-14	<b>4314</b>
4-40	<b>0440</b>	12-24	<b>1224</b>	7/16-20	<b>4320</b>
4-48	<b>0448</b>	1/4-20	<b>2520</b>	1/2-13	<b>5013</b>
5-40	<b>0540</b>	1/4-28	<b>2528</b>	1/2-20	<b>5020</b>

Note: For special threads, contact Sales Office for number.

### FINISHES AVAILABLE

#### CHART C

0	No Finish	14	Electro Tin Plate-Mil-T-10727-Type 1
3	Cadmium Plate-QQ-P-416 Class 3, Clear Chromate Special Order	14A	Electro Tin Solder 60/40 per M230 Mil-F-14072
3B	Cadmium Plate-QQ-P-416 Class 3, Type 2 - Color Chromate Special Order	28	Zinc Plate .0002 thick ASTM-B-633 Type 1
4	Nickel Plate-QQ-N-290, Grade G	29	Solder Plate 0.0003-0.001 thick Solder per QQ-S-571, Sn60 over Nickel Plate 0.0001-0.0005
6A	Brass Ebonal "C"-Mil-F-495	37	Zinc Plate .0002 thick ASTM-B-633 Type 2 - Color Chromate
6B	Stainless Steel "Black Oxide"-Mil-C-13924		
7	Passivate-QQ-P-3-35		

5 Pasco Hill Road • Cromwell, CT 06416-1093  
 Phone: 860-828-0847 • Call Toll Free: 800-243-6032 • Fax: 860-828-0381  
 Web Address: <http://www.amatom.com> • E-Mail: [sales@amatom.com](mailto:sales@amatom.com)

The following types of panel retainers were designed with specific captive screws in mind - but can be used interchangeably according to your individual requirements.

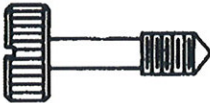
CAPTIVE PANEL SCREWS	CAPTIVE PANEL RETAINERS
Type 1	Type 1
Type 2A	Type 2A, 2B 2C, 2D
Type 2B	Type 2A, 2B 2C, 2D
Type 3A, 3B	Type 3,3A

**Type 1**  
Page 68-69

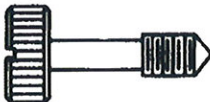


**Screw Type 1**  
Page 80-81

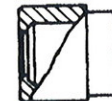
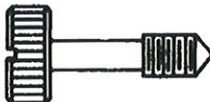
**TYPE 2A & 2B**  
Page 70-71



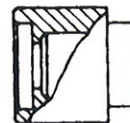
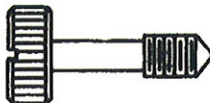
**Screw Type 2A**  
Page 82-83



**Screw-Spring Type 2B**  
Page 84-85



**Retainer Type 2C**  
Page 86-87



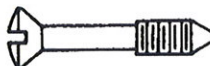
**Spring-Retainer Type 2D**  
Page 88-89

**Type 3A & 3B**  
Page 72-73



**Screw Type 3 & 3A**  
Page 90-92

**Type 4**  
Page 75



**Washer Type 4**  
Page 74-75

## CAPTIVE PANEL SCREWS

**(PANEL SCREW - EXTERNALLY RELIEVED BODY) Per FSC-5305-120**

**Type 1:** For captive panel retainers used with these screws see pages 80 and 81.

- Material**
- SS-Corrosive Resisting Steel (Stainless Steel):  
ASTM A581-75 thru 1/2 O.D. over 1/2 AMS-5762.
  - B-Brass: QQ-B-626 Comp 22 1/2 Hard.
  - NOTE: Available in other materials on special order - Price on Application.

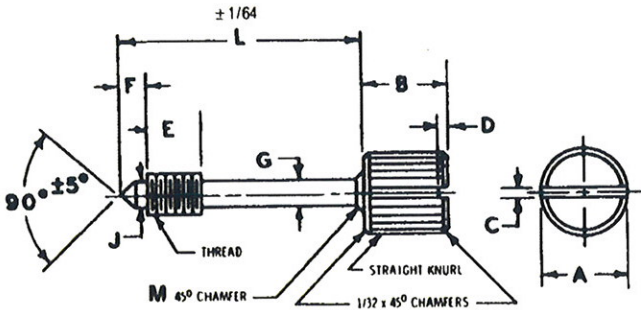
- Standard Finish**
- For Corrosive Resisting Steel (SS):  
Amatom Finish No. 7 - Passivate per cres QQ-P-35.
  - For Brass (B):  
Amatom Finish No. 4 - Nickel plate - QQ-N-290 Grade G.

**Head** • Brushed and Polished Heads - Available on special order only.

**Threads** • UNC-2A and UNF-2A per National Bureau of Standards Handbook H28 titled "Screw-Thread Standards for Federal Services."

**Workmanship** • To high precision standards.

**Quality Control** • To MIL-STD-105. Made for use on government equipment.



- Notes:**
- Any similar type captive screw in any increment of body or thread length is available on special order. Price on application.
  - Parts normally stocked slotted. Unslotted available on order. Price on application.
  - The stainless steel captive screws are made to MIL-E-16400 (ships).
  - Available "Burr Free" for ultra precision parts. Price on application.

**Type 1.** (Refer to Table 1 and 2)

"A" is the dimension of the head before knurling.

**TABLE 1 - Screw Dimensions**

For Part No. of Lengths refer to Table 2 under Required Thread Size and Material

THREAD	MATERIAL		A ±.005	B ±1/64	C ±.005	D +.010 -.005	E ±.015	F REF.	G ±.005	J +.000 -.016	KNURL TEETH PER INCH	M CHAMFER 45° MAX.
	BRASS	STAIN- LESS STEEL										
4-40 UNC-2A	B	SS	5/16	5/16	.047	.078	.125	5/64	.078	.078	40	.022
6-32 UNC-2A	B	SS	5/16	5/16	.047	.078	.212	3/32	.095	.095	40	.022
8-32 UNC-2A	B	SS	5/16	5/16	.047	.078	.212	3/32	.120	.120	40	.022
10-24 UNC-2A	B	SS	3/8	7/16	.063	.094	.250	5/32	.130	.130	40	.030
10-32 UNF-2A	B	SS	3/8	7/16	.063	.094	.250	5/32	.130	.130	40	.030
1/4-20 UNC-2A	B	SS	1/2	9/16	.078	.094	.313	3/16	.175	.175	30	.038
1/4-28 UNF-2A	B	SS	1/2	9/16	.078	.094	.313	3/16	.175	.175	30	.038
5/16-18 UNC-2A	B	SS	5/8	11/16	.094	.125	.375	1/4	.230	.230	30	.041
5/16-24 UNF-2A	-	SS	5/8	11/16	.094	.125	.375	1/4	.230	.230	30	.041

5 Pasco Hill Road • Cromwell, CT 06416-1093

Phone: 860-828-0847 • Call Toll Free: 800-243-6032 • Fax: 860-828-0381

Web Address: <http://www.amatom.com> • E-Mail: [sales@amatom.com](mailto:sales@amatom.com)

### CAPTIVE PANEL SCREWS

(PANEL SCREW - EXTERNALLY RELIEVED BODY ) Per FSC-5305-120

**TABLE 2 - Type 1**

For all dimensions other than length refer to Table 1 (page 68)

Length	Part No.	Threads								
		4-40	6-32	8-32	10-24	10-32	1/4-20	1/4-28	5/16-18	5/16-24
3/8	<b>6100</b>	4-40	6-32							
7/16	<b>6101</b>	4-40	6-32							
1/2	<b>6102</b>	4-40	6-32	8-32						
9/16	<b>6103</b>	4-40	6-32	8-32						
5/8	<b>6104</b>	4-40	6-32	8-32	10-24	10-32	1/4-20			
11/16	<b>6105</b>	4-40	6-32	8-32	10-24	10-32	1/4-20			
3/4	<b>6106</b>	4-40	6-32	8-32	10-24	10-32	1/4-20	1/4-28		
13/16	<b>6107</b>	4-40	6-32	8-32	10-24	10-32	1/4-20	1/4-28		
7/8	<b>6108</b>	4-40	6-32	8-32	10-24	10-32	1/4-20	1/4-28		
15/16	<b>6109</b>	4-40	6-32	8-32	10-24	10-32	1/4-20	1/4-28		
1	<b>6110</b>	4-40	6-32	8-32	10-24	10-32	1/4-20	1/4-28	5/16-18	5/16-24
1-1/16	<b>6111</b>	4-40	6-32	8-32	10-24	10-32	1/4-20	1/4-28	5/16-18	5/16-24
1-1/8	<b>6112</b>	4-40	6-32	8-32	10-24	10-32	1/4-20	1/4-28	5/16-18	5/16-24
1-3/16	<b>6113</b>	4-40	6-32	8-32	10-24	10-32	1/4-20	1/4-28	5/16-18	5/16-24
1-1/4	<b>6114</b>	4-40	6-32	8-32	10-24	10-32	1/4-20	1/4-28	5/16-18	5/16-24
1-5/16	<b>6115</b>	4-40	6-32	8-32	10-24	10-32	1/4-20	1/4-28	5/16-18	5/16-24
1-3/8	<b>6116</b>	4-40	6-32	8-32	10-24	10-32	1/4-20	1/4-28	5/16-18	5/16-24
1-1/2	<b>6117</b>	4-40	6-32	8-32	10-24	10-32	1/4-20	1/4-28	5/16-18	5/16-24
1-3/4	<b>6118</b>	4-40	6-32	8-32	10-24	10-32	1/4-20	1/4-28	5/16-18	5/16-24
2	<b>6119</b>	4-40	6-32	8-32	10-24	10-32	1/4-20	1/4-28	5/16-18	5/16-24

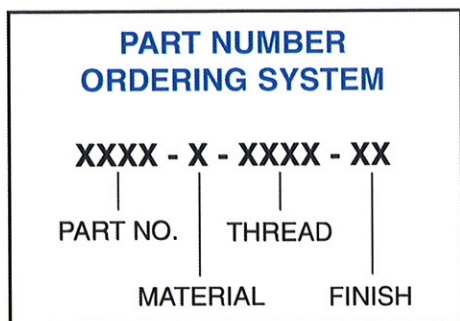


Type 1

Other lengths and threads available on special order, contact sales office.

TOLERANCES as specified in tables.  
 Otherwise standard tolerances as follows:  
 Decimals ±.005; Fractions ±1/64; Angles ± 5°.

PART NO. indicates the style and length of the screw. The number for each different length in any one style is the same for all head sizes.



Per handbook H-28 (Part 1) Screw Thread Standards (Federal). All threads are Class 2A and 2B (commercial).

Refer To Page 66 For Finish Codes.

CHART A - Materials	
MATERIAL	CODE LETTER
BRASS	<b>B</b>
STEEL	<b>S</b>
STAINLESS STEEL	<b>SS</b>

THREAD CODE	
THREAD	CODE
4-40	<b>0440</b>
6-32	<b>0632</b>
8-32	<b>0832</b>
10-24	<b>1024</b>
10-32	<b>1032</b>
1/4-20	<b>2520</b>
1/4-28	<b>2528</b>
5/16-18	<b>3118</b>
5/16-24	<b>3124</b>

CAPTIVE PANEL SCREWS

### CAPTIVE PANEL SCREWS

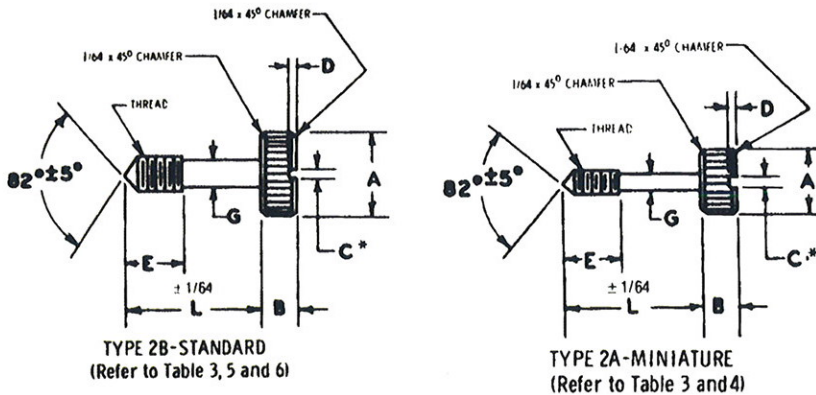
**(PANEL SCREW - EXTERNALLY RELIEVED BODY)** Per FSC-5305-120

**Type 2:** For captive panel retainers used with these screws see pages 82 through 89.

- Material**
- SS-Corrosive Resisting Steel (Stainless Steel):  
ASTM A581-75 thru 1/2 O.D. over 1/2 AMS-5762.
  - B-Brass: QQ-B-626 Comp 22 1/2 Hard.
  - NOTE: Available in other materials on special order - Price on Application.

- Standard Finish**
- For Corrosive Resisting Steel (SS):  
Amatom Finish No. 7 - Passivate per cres QQ-P-35
  - For Brass (B):  
Amatom Finish No. 4 - Nickel plate-QQ-N-290 Grade G.

- Head**
- Polished Head - Standard
  - Brushed Heads - Available on special order only.



- Notes:**
- Any similar type captive screw in any increment of body or thread length is available on special order. Price on application.
  - Parts normally stocked slotted. Unslotted available on order. Price on application.
  - The stainless steel captive screws are made to MIL-E-16400 (ships).
  - Available "Burr Free" for ultra precision parts. Price on application.

"A" is the dimension of the head before knurling.

**TABLE 3 - Type 2 Screw Dimensions**

For Part No. of Lengths refer to Table 4,5,6 under Required Thread Size and Material.

TYPE	THREAD	MATERIAL		A ±.005	B ±1/64	C ±.005	D +.010 -.005	E ±1/64	G ±.005	TEETH PER INCH
		BRASS	STAIN- LESS STEEL							
2A	4-40 UNC-2A	B	SS	5/16	3/16	.047	.063	9/32	.078	40
2A	6-32 UNC-2A	B	SS	5/16	3/16	.047	.063	9/32	.095	40
2A	6-32 UNC-2A	B	SS	3/8	3/16	.047	.063	9/32	.095	40
2B	8-32 UNC-2A	B	SS	7/16	1/4	.063	.063	3/8	.120	40
2B	10-24 UNC-2A	B	SS	7/16	1/4	.063	.063	3/8	.130	40
2B	10-32 UNF-2A	B	SS	7/16	1/4	.063	.063	3/8	.130	40
2B	12-24 UNC-2A	B	SS	9/16	1/4	.063	.094	3/8	.152	30
2B	1/4-20 UNC-2A	B	SS	9/16	1/4	.063	.094	3/8	.175	30
2B	1/4-20 UNC-2A	B	SS	3/4	1/4	.063	.125	3/8	.175	30
2B	1/4-28 UNF-2A	B	SS	9/16	1/4	.063	.094	3/8	.175	30
2B	1/4-28 UNF-2A	B	SS	3/4	1/4	.063	.125	3/8	.175	30
2B	5/16-24 UNF-2A	-	SS	9/16	1/4	.063	.094	3/8	.235	30

5 Pasco Hill Road • Cromwell, CT 06416-1093

Phone: 860-828-0847 • Call Toll Free: 800-243-6032 • Fax: 860-828-0381

Web Address: <http://www.amatom.com> • E-Mail: [sales@amatom.com](mailto:sales@amatom.com)

CAPTIVE PANEL SCREWS



## CAPTIVE PANEL SCREWS

(PANEL SCREW - EXTERNALLY RELIEVED BODY ) Per FSC-5305-120

**TABLE 4 - Type 2A - Miniature\***

Length	Part No.	Thread		Head Diameter
		4-40	6-32	
21/32	6130	4-40	6-32	5/16
21/32	6135		6-32	3/8
23/32	6131	4-40	6-32	5/16
23/32	6136		6-32	3/8
25/32	6132	4-40	6-32	5/16
25/32	6137		6-32	3/8
27/32	6133	4-40	6-32	5/16
27/32	6138		6-32	3/8
29/32	6134	4-40	6-32	5/16
29/32	6139		6-32	3/8

**TABLE 5 - Type 2B - Standard\***

Length	Part No.	Thread				Head Diameter
		8-32	10-24	10-32	12-24	
15/16	6140	8-32	10-24	10-32		7/16
15/16	6148				12-24	9/16
1"	6141	8-32	10-24	10-32		7/16
1"	6149				12-24	9/16
1-1/16	6142	8-32	10-24	10-32		7/16
1-1/16	6150				12-24	9/16
1-1/8	6143	8-32	10-24	10-32		7/16
1-1/8	6151				12-24	9/16
1-3/16	6144	8-32	10-24	10-32		7/16
1-3/16	6152				12-24	9/16
1-1/4	6145	8-32	10-24	10-32		7/16
1-1/4	6153				12-24	9/16
1-5/16	6146	8-32	10-24	10-32		7/16
1-5/16	6154				12-24	9/16
1-3/8	6147	8-32	10-24	10-32		7/16
1-3/8	6155				12-24	9/16

**TABLE 6 - Type 2B - Standard\***

Length	Part No.	Thread			Head Diameter
		1/4-20	1/4-28	5/16-24**	
15/16	6148	1/4-20	1/4-28	5/16-24**	9/16
15/16	6156	1/4-20	1/4-28		3/4
1"	6149	1/4-20	1/4-28	5/16-24**	9/16
1"	6157	1/4-20	1/4-28		3/4
1-1/16	6150	1/4-20	1/4-28	5/16-24**	9/16
1-1/16	6158	1/4-20	1/4-28		3/4
1-1/8	6151	1/4-20	1/4-28	5/16-24**	9/16
1-1/8	6159	1/4-20	1/4-28		3/4
1-3/16	6152	1/4-20	1/4-28	5/16-24**	9/16
1-3/16	6160	1/4-20	1/4-28		3/4
1-1/4	6153	1/4-20	1/4-28	5/16-24**	9/16
1-1/4	6161	1/4-20	1/4-28		3/4
1-5/16	6154	1/4-20	1/4-28	5/16-24**	9/16
1-5/16	6162	1/4-20	1/4-28		3/4
1-3/8	6155	1/4-20	1/4-28	5/16-24**	9/16
1-3/8	6163	1/4-20	1/4-28		3/4

For all dimensions other than length refer to Table 1 (page 68)

\*See page 62, Note 1 and Note 4.

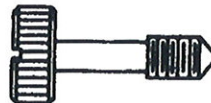
TOLERANCES as specified in tables. Otherwise standard tolerances as follows: Decimals ±.005; Fractions ±1/64; Angles ± 5°.

\*\*Table 6, 5/16-24 available in SS only.

Note: Other lengths available on special order.

Per handbook H-28 (Part 1) Screw Thread Standards (Federal). All threads are Class 2A and 2B (commercial).

For special threads or parts not listed contact sales office.



PART NO. indicates the style and length of the screw. The number for each different length in any one style is the same for all head sizes. **Unless ordered with a "U", ships slotted.**

**PART NUMBER ORDERING SYSTEM**

XXXX - X - XXXX - XX



Refer To Page 66 For Finish Codes.

**CHART A - Materials**

MATERIAL	CODE LETTER
BRASS	B
STEEL	S
STAINLESS STEEL	SS

THREAD CODE	
THREAD	CODE
4-40	0440
6-32	0632
8-32	0832
10-24	1024
10-32	1032
12-24	1224
1/4-20	2520
1/4-28	2528
5/16-24	3124

CAPTIVE PANEL SCREWS

### CAPTIVE PANEL SCREWS

(PANEL SCREW - EXTERNALLY RELIEVED BODY) Per FSC-5305-120

**Type 3:** For captive panel retainers used with these screws see page 90 through page 92.

- Material**
- SS-Corrosive Resisting Steel (Stainless Steel):  
ASTM A581-75 thru 1/2 O.D. over 1/2 AMS-5762.
  - B-Brass: QQ-B-626 Comp 22 1/2 Hard.
  - NOTE: Available in other materials on special order - Price on application.

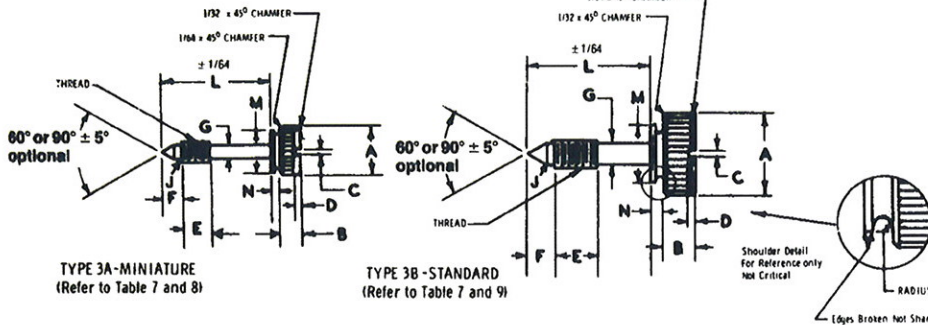
- Standard Finish**
- For Corrosive Resisting Steel (SS):  
Amatom Finish No. 7 - Passivate per cres QQ-P-35.
  - For Brass (B):  
Amatom Finish No. 4 - Nickel plate-QQ-N-290 Grade G.

- Head**
- Brushed and Polished Heads - Available on special order only.

- Threads**
- UNC-2A and IMF-2A per National Bureau of Standards Handbook H28 titled "Screw-Thread Standards for Federal Services."

- Workmanship**
- To high precision standards.

- Quality Control**
- To MIL-STD-105. Made for use on government equipment.



"A" is the dimension of the head before knurling.

**Notes:**

- Any similar type captive screw in any increment of body or thread length is available on special order. Price on application.

- Parts normally stocked slotted. Unslotted available on order. Price on application.

- The stainless steel captive screws are made to MIL-E-16400 (ships).

- Available "Burr Free" for ultra precision parts. Price on application.

**TABLE 7 - Type 3 - Screw Dimensions**

For Part No. of Lengths refer to Table 8 and 9 under Required Thread Sizes and Materials.

TYPE	THREAD	MATERIAL		A ±.005	B ±1/64	C ±.005	D +.010 -.005	E ±1/64	F ±1/64	G ±.005	J +.000 -.016	M ±.010	N ±.010	TEETH PER INCH
		BRASS	STAIN- LESS STEEL											
3A	4-40 UNC-2A	B	SS	5/16	1/8	.047	.078	3/16	1/8	.078	.078	13/64	1/16	40
3A	6-32 UNC-2A	B	SS	5/16	1/8	.047	.078	3/16	1/8	.095	.095	13/64	1/16	40
3B	8-32 UNC-2A	B	SS	1/2	3/16	.047	.078	1/4	1/8	.120	.120	13/32	1/16	40
3B	8-32 UNC-2A	B	SS	5/8	3/16	.047	.078	1/4	1/8	.120	.120	1/2	1/16	40
3B	10-32 UNF-2A	B	SS	1/2	3/16	.063	.094	1/4	1/8	.130	.130	13/32	1/16	30
3B	10-32 UNF-2A	B	SS	5/8	3/16	.063	.094	1/4	1/8	.130	.130	1/2	1/16	30
3B	12-24 UNC-2A	B	SS	5/8	3/16	.063	.094	1/4	1/8	.152	.152	1/2	1/16	30
3B	1/4-20 UNC-2A	B	SS	5/8	3/16	.078	.094	1/4	1/8	.175	.175	1/2	1/16	30
3B	1/4-20 UNC-2A	B	SS	3/4	1/4	.078	.094	3/8	1/4	.175	.175	1/2	1/8	30

5 Pasco Hill Road • Cromwell, CT 06416-1093

Phone: 860-828-0847 • Call Toll Free: 800-243-6032 • Fax: 860-828-0381

Web Address: <http://www.amatom.com> • E-Mail: [sales@amatom.com](mailto:sales@amatom.com)

### CAPTIVE PANEL SCREWS

(PANEL SCREW - EXTERNALLY RELIEVED BODY) Per FSC-5305-120

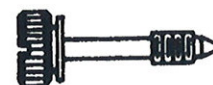
**TABLE 8 - Type 3A and 3B**

Length	Part No.	Thread	Head Diameter	Type
1/2	<b>6170</b>	4-40, 6-32	5/16	3A
9/16	<b>6171</b>	4-40, 6-32	5/16	3A
5/8	<b>6172</b>	4-40, 6-32	5/16	3A
11/16	<b>6173</b>	4-40, 6-32	5/16	3A
3/4	<b>6174</b>	4-40, 6-32	5/16	3A
3/4	<b>6179</b>	8-32	1/2	3B
3/4	<b>6189</b>	8-32	5/8	3B
13/16	<b>6175</b>	4-40, 6-32	5/16	3A
13/16	<b>6180</b>	8-32	1/2	3B
13/16	<b>6190</b>	8-32	5/8	3B
7/8	<b>6176</b>	4-40, 6-32	5/16	3A
7/8	<b>6181</b>	8-32	1/2	3B
7/8	<b>6191</b>	8-32	5/8	3B
15/16	<b>6177</b>	4-40, 6-32	5/16	3A
15/16	<b>6182</b>	8-32	1/2	3B
15/16	<b>6192</b>	8-32	5/8	3B
1"	<b>6178</b>	4-40, 6-32	5/16	3A
1"	<b>6183</b>	8-32	1/2	3B
1"	<b>6193</b>	8-32	5/8	3B
1-1/16	<b>6184</b>	8-32	1/2	3B
1-1/16	<b>6194</b>	8-32	5/8	3B
1-1/8	<b>6185</b>	8-32	1/2	3B
1-1/8	<b>6195</b>	8-32	5/8	3B
1-3/16	<b>6186</b>	8-32	1/2	3B
1-3/16	<b>6196</b>	8-32	5/8	3B
1-1/4	<b>6187</b>	8-32	1/2	3B
1-1/4	<b>6197</b>	8-32	5/8	3B

**TABLE 9 - Type 3B Standard**

Length	Part No.	Thread	Head Diameter
7/8	<b>6181</b>	10-32	1/2
7/8	<b>6191</b>	10-32	5/8
15/16	<b>6182</b>	10-32	1/2
15/16	<b>6192</b>	10-32, 12-24, 1/4-20	5/8
15/16	<b>6199</b>	1/4-20	3/4
1"	<b>6183</b>	10-32	1/2
1"	<b>6193</b>	10-32, 12-24, 1/4-20	5/8
1"	<b>6200</b>	1/4-20	3/4
1-1/16	<b>6184</b>	10-32	1/2
1-1/16	<b>6194</b>	10-32, 12-24, 1/4-20	5/8
1-1/16	<b>6201</b>	1/4-20	3/4
1-1/8	<b>6185</b>	10-32	1/2
1-1/8	<b>6195</b>	10-32, 12-24, 1/4-20	5/8
1-1/8	<b>6202</b>	1/4-20	3/4
1-3/16	<b>6186</b>	10-32	1/2
1-3/16	<b>6196</b>	10-32, 12-24, 1/4-20	5/8
1-3/16	<b>6203</b>	1/4-20	3/4
1-1/4	<b>6187</b>	10-32	1/2
1-1/4	<b>6197</b>	10-32, 12-24, 1/4-20	5/8
1-1/4	<b>6204</b>	1/4-20	3/4
1-5/16	<b>6188</b>	10-32	1/2
1-5/16	<b>6198</b>	10-32, 12-24, 1/4-20	5/8
1-5/16	<b>6205</b>	1/4-20	3/4
1-3/8	<b>6206</b>	1/4-20	3/4
1-7/16	<b>6207</b>	1/4-20	3/4

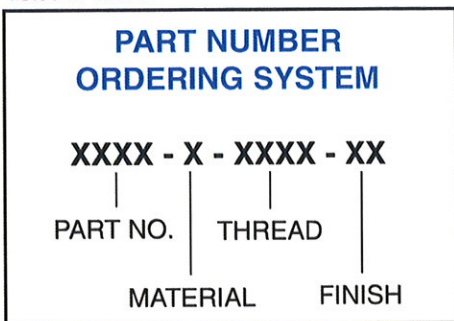
For all dimensions other than length refer to Table 7 (page 72)



See page 65 to specify part numbers not listed in Table.

Refer to page 66 for Finish Codes.

For special threads or parts not listed contact sales office.



**CHART A - Materials**

MATERIAL	CODE LETTER
BRASS	<b>B</b>
STEEL	<b>S</b>
STAINLESS STEEL	<b>SS</b>

**THREAD CODE**

THREAD	CODE
4-40	<b>0440</b>
6-32	<b>0632</b>
8-32	<b>0832</b>
10-32	<b>1032</b>
12-24	<b>1224</b>
1/4-20	<b>2520</b>

5 Pasco Hill Road • Cromwell, CT 06416-1093  
 Phone: 860-828-0847 • Call Toll Free: 800-243-6032 • Fax: 860-828-0381  
 Web Address: <http://www.amatom.com> • E-Mail: [sales@amatom.com](mailto:sales@amatom.com)

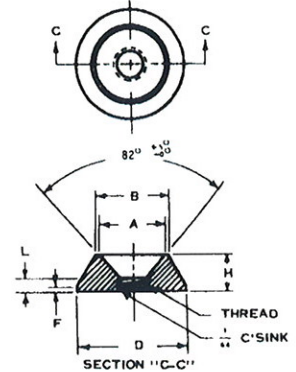
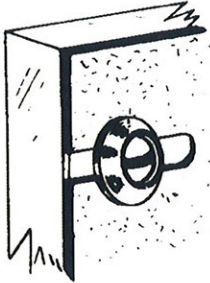
## PANEL SCREWS / WASHER

### USED WITH OVAL HEAD CAPTIVE PANEL SCREW (TYPE 4)

- This captive washer allows the attaching screw to be screwed down and removed many times without damaging finish of front panel.

#### ONLY THE SCREW TURNS – NOT THE WASHER

- Combination of finishes. Washer and screw available for decorative design use.
- Available in: Brass-Nickel Plated, Stainless Steel, Aluminum-Plain or anodized (on special order), Nylon or Plastic.



Refer to Table 28 for Dimensions

**TABLE 28**  
Dimensions of Washer and Part Numbers by Thread Sizes

PART NO.	Thread Size	A ±.004	B ±.002	D ±.003	F ±.005	H +.005 -.000	L ±.016
6700	4-40	.235	.267	.375	.020	.145	.062
6701	6-32	.289	.321	.437	.025	.161	.070
6702	8-32	.342	.380	.560	.032	.193	.070
6703	10-24	.395	.427	.625	.032	.209	.078
6704	10-32	.395	.427	.625	.032	.209	.078

Refer To Page 66 For Finish Codes.

### PART NUMBER ORDERING SYSTEM

XXXX - X - XXXX - XX

|                      |                      |  
 PART NO.      THREAD                      |  
 |                      |                      |  
 MATERIAL      FINISH

### CHART A - Materials

MATERIAL	CODE LETTER
ALUMINUM	A
BRASS	B
STEEL	S
STAINLESS STEEL	SS
NYLON	N

### THREAD CODE

THREAD	CODE
4-40	0440
6-32	0632
8-32	0832
10-24	1024
10-32	1032

5 Pasco Hill Road • Cromwell, CT 06416-1093  
 Phone: 860-828-0847 • Call Toll Free: 800-243-6032 • Fax: 860-828-0381  
 Web Address: <http://www.amatom.com> • E-Mail: [sales@amatom.com](mailto:sales@amatom.com)

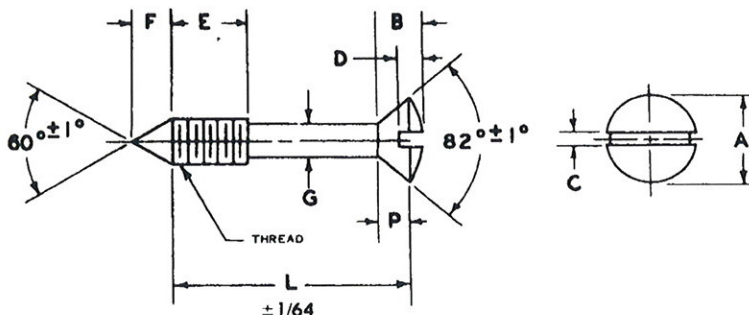
### PANEL SCREWS / WASHER

#### TYPE 4: OVAL HEAD PANEL SCREW

Notes: • Any similar type captive screw in any increment of body or thread length is available on special order. Price on application.

• The stainless steel captive screws are made to MIL-E-16400 (ships).

• Available "Burr Free" for ultra precision parts. Price on application.



**TABLE 10 - Type 4 - Screw Dimensions**

For Part No. of Lengths refer to Table 11 under Required Thread Size and Material.

MATERIAL			A	B	C	D	E	F	G	P
THREAD	BRASS	STAIN-LESS STEEL	±.010	±.010	±.005	+.010 -.005	±1/64	±.015	±.005	+.020 -.000
4-40 UNC-2A	B	SS	.216	.094	.035	.049	3/16	.096	.078	.067
6-32 UNC-2A	B	SS	.268	.117	.044	.062	1/4	.121	.095	.083
8-32 UNC-2A	B	SS	.320	.139	.050	.075	1/4	.142	.120	.100
10-24 UNC-2A	B	SS	.372	.162	.055	.089	1/4	.164	.130	.116
10-32 UNF-2A	B	SS	.372	.162	.055	.089	1/4	.164	.130	.116

(PANEL SCREW - EXTERNALLY RELIEVED BODY) Per RSC-5305-120

**TABLE 11 - Type 4**

For all Dimensions other than Length Refer to Table 10.

LENGTH	PART NO.
3/8*	6210
7/16*	6211
1/2*	6212
9/16*	6213
5/8	6214
11/16	6215

\*Only in 4-40, 6-32, 8-32.

LENGTH	PART NO.
3/4	6216
13/16	6217
7/8	6218
15/16	6219
1"	6220
1-1/16	6221

LENGTH	PART NO.
1-1/8	6222
1-3/16	6223
1-1/4	6224
1-5/16	6225
1-3/8	6226
1-1/2	6227

Other lengths available on special order.

#### PART NUMBER ORDERING SYSTEM

XXXX - X - XXXX - XX  
 |            |            |  
 PART NO.    THREAD    MATERIAL    FINISH

Refer To Page 66 For Finish Codes.

#### CHART A - Materials

MATERIAL	CODE LETTER
ALUMINUM	A
BRASS	B
STAINLESS STEEL	SS
NYLON	N

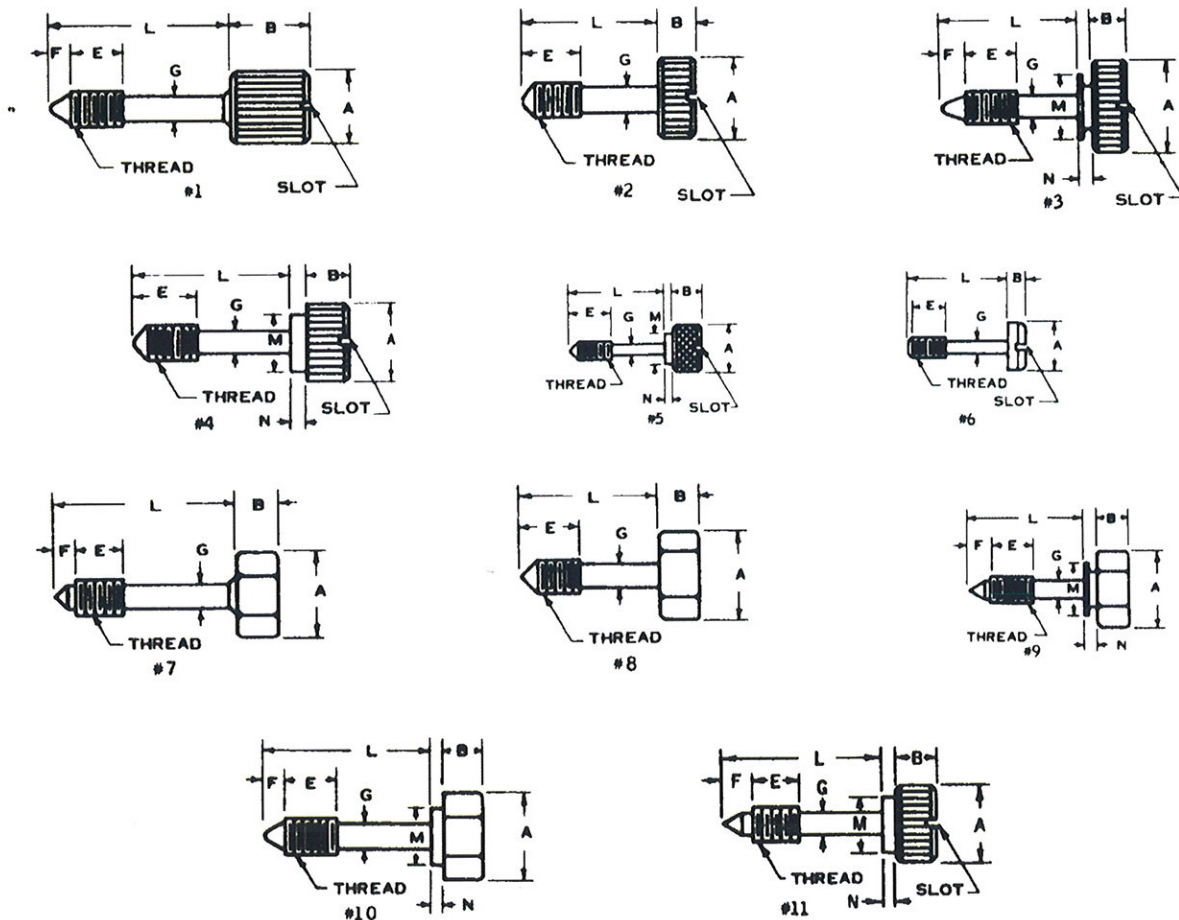
#### THREAD CODE

THREAD	CODE
4-40	0440
6-32	0632
8-32	0832
10-24	1024
10-32	1032

5 Pasco Hill Road • Cromwell, CT 06416-1093  
 Phone: 860-828-0847 • Call Toll Free: 800-243-6032 • Fax: 860-828-0381  
 Web Address: <http://www.amatom.com> • E-Mail: [sales@amatom.com](mailto:sales@amatom.com)

### VARIATIONS OF CAPTIVE SCREWS

- This page is written for the convenience of designers, engineers and buyers in calling out other types of similar parts that are available at Amatom. The combinations are unlimited. Contact Amatom's engineering office for price and delivery.
- Variations of captive screws are available in any material and with any finish.



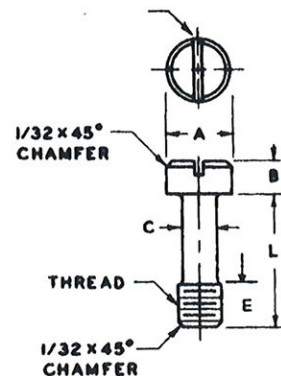
Note: Dimension "A" on Hex Head is across flats.

5 Pasco Hill Road • Cromwell, CT 06416-1093  
 Phone: 860-828-0847 • Call Toll Free: 800-243-6032 • Fax: 860-828-0381  
 Web Address: <http://www.amatom.com> • E-Mail: [sales@amatom.com](mailto:sales@amatom.com)

### CAPTIVE SCREW - SHOULDER SCREW

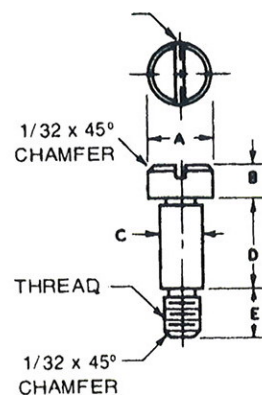
#### TYPE 6 - CAPTIVE SCREW (Stainless Steel Only)

PART NO.	THREAD	PANEL THICKNESS	A ±1/16	B ±1/64	C ±.005	L ±.015	E ±.015
6760	4-40 UNC-2A	1/16	1/4	1/8	.078	.468	.187
6761	4-40 UNC-2A	1/8	1/4	1/8	.078	.530	.187
6762	6-32 UNC-2A	1/16	9/32	1/8	.095	.530	.218
6763	6-32 UNC-2A	1/8	9/32	1/8	.095	.593	.218
6764	6-32 UNC-2A	3/16	9/32	1/8	.095	.655	.218
6765	8-32 UNC-2A	1/8	5/16	5/32	.120	.656	.250
6766	8-32 UNC-2A	3/16	5/16	5/32	.120	.718	.250
6767	8-32 UNC-2A	1/4	5/16	5/32	.120	.781	.250
6768	10-32 UNF-2A	3/16	3/8	3/16	.130	.843	.312
6769	10-32 UNF-2A	1/4	3/8	3/16	.130	.905	.312



#### TYPE 7 - PRECISION SHOULDER SCREW

PART NO.	THREAD	A	B	C +.000 -.001	D +.002 -.000	E
7451 7452 7453 7454 7455	4-40 UNC-2A	1/4	1/8	1/8 (.1245)	1/8 - .125 3/16 - .188 1/4 - .250 5/16 - .313 3/8 - .375	5/32
7456 7457 7458 7459	8-32 UNC-2A	5/16	5/32	3/16 (.1870)	1/8 - .125 3/16 - .188 1/4 - .250 5/16 - .313	3/16
7460 7461 7462 7463					3/8 - .375 1/2 - .500 5/8 - .625 3/4 - .750	
7464 7465 7466	10-32 UNF-2A	3/8	3/16	1/4 (.2495)	1 - 1.000 1-1/4 - 1.250 1-1/2 - 1.500	1/4
7467 7468 7469 7470					1/8 - .125 3/16 - .188 1/4 - .250 5/16 - .313	
7471 7472 7473 7474	10-32 UNF-2A	3/8	3/16	1/4 (.2495)	3/8 - .375 1/2 - .500 5/8 - .625 3/4 - .750	1/4
7475 7476 7477					1 - 1.000 1-1/4 - 1.250 1-1/2 - 1.500	



CAPTIVE PANEL SCREWS

#### PART NUMBER ORDERING SYSTEM

XXXX - X - XXXX - XX  
 |                    |                    |  
 PART NO.      THREAD                    MATERIAL      FINISH

Refer To Page 66 For Finish Codes.

#### CHART A - Materials

MATERIAL	CODE LETTER
ALUMINUM	A
BRASS	B
STEEL	S
STAINLESS STEEL	SS

#### THREAD CODE

THREAD	CODE
4-40	0440
6-32	0632
8-32	0832
10-24	1024
10-32	1032
12-24	1224
1/4-20	2520

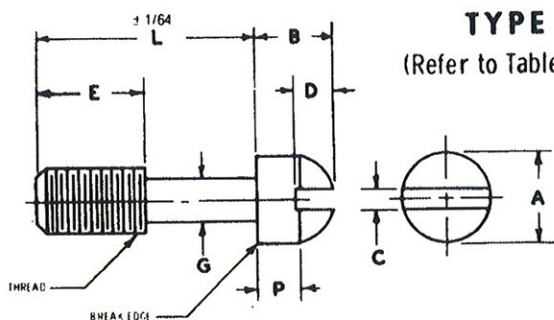
5 Pasco Hill Road • Cromwell, CT 06416-1093  
 Phone: 860-828-0847 • Call Toll Free: 800-243-6032 • Fax: 860-828-0381  
 Web Address: <http://www.amatom.com> • E-Mail: [sales@amatom.com](mailto:sales@amatom.com)

## CAPTIVE PANEL SCREWS

**(PANEL SCREW - EXTERNALLY RELIEVED BODY)** Per FSC-5305-120

**Type 5: Fillister Head**

- Material**
  - SS-Corrosive Resisting Steel (Stainless Steel): ASTM A581-75 thru 1/2 O.D. over 1/2 AMS-5762.
  - B-Brass: QQ-B-626 Comp 22 1/2 Hard.
  - NOTE: Available in other materials on special order - Price on Application.
- Standard Finish**
  - For Corrosive Resisting Steel (SS): Amatom Finish No. 7 - Passivate per cres QQ-P-35.
  - For Brass (B): Amatom Finish No. 4 - Nickel plate - QQ-N-290 Grade G.
- Head**
  - Brushed and Polished Heads - Available on special order only.
- Threads**
  - UNC-2A and UNF-2A per National Bureau of Standards Handbook H28 titled "Screw-Thread Standards for Federal Services."
- Workmanship**
  - To high precision standards.
- Quality Control**
  - To MIL-STD-105. Made for use on government equipment.



**TYPE 5**  
(Refer to Table 12 and 13)

- NOTES:
- Any similar type captive screw in any increment of body or thread length is available on special order. Price on application.
  - The stainless steel captive screws are made to MIL-E-16400 (ships).
  - Available "Burr-Free" for ultra precision parts. Price on application.

**TABLE 12 - Type 5 - Screw Dimensions**  
For Part No. of Lengths Refer to Table 13 under Required Thread Size and Material.

THREAD	MATERIAL		A ±.010	B ±.010	C ±.005	D +.010 -.005	E ±.015	G ±.005	P ±.005
	BRASS	STAIN- LESS STEEL							
2-56 UNC-2A	B	SS	.132	.075	.027	.026	1/8	.061	.058
3-48 UNC-2A	B	SS	.153	.086	.031	.032	1/8	.070	.066
4-40 UNC-2A	B	SS	.175	.098	.035	.037	5/32	.078	.074
4-48 UNF-2A	B	SS	.175	.098	.035	.037	5/32	.078	.074
6-32 UNC-2A	B	SS	.217	.122	.044	.048	3/16	.095	.091
6-40 UNF-2A	B	SS	.217	.122	.044	.048	3/16	.095	.091
8-32 UNC-2A	B	SS	.250	.145	.050	.058	3/16	.120	.108
10-24 UNC-2A	B	SS	.303	.168	.055	.069	1/4	.130	.124
10-32 UNF-2A	B	SS	.303	.168	.055	.069	1/4	.130	.124

5 Pasco Hill Road • Cromwell, CT 06416-1093  
 Phone: 860-828-0847 • Call Toll Free: 800-243-6032 • Fax: 860-828-0381  
 Web Address: <http://www.amatom.com> • E-Mail: [sales@amatom.com](mailto:sales@amatom.com)



## CAPTIVE PANEL SCREWS

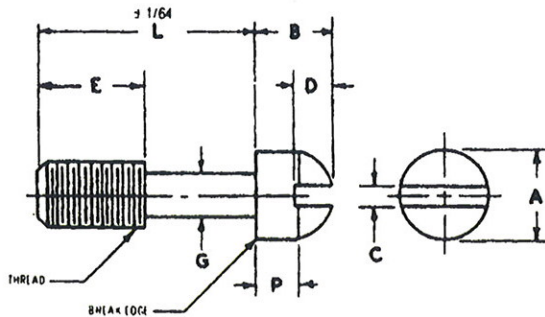
(PANEL SCREW – EXTERNALLY RELIEVED BODY) Per FSC-5305-120

TABLE 13 - TYPE 5

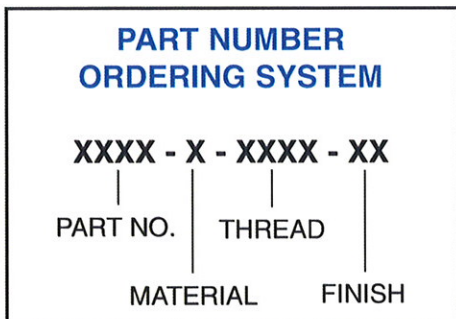
Length	Part No.	Threads								
		2-56	3-48	4-40	4-48	6-32	6-40	8-32	10-24	10-32
1/4	6230	2-56	3-48	4-40	4-48					
5/16	6231	2-56	3-48	4-40	4-48					
3/8	6232	2-56	3-48	4-40	4-48	6-32	6-40	8-32		
7/16	6233	2-56	3-48	4-40	4-48	6-32	6-40	8-32		
1/2	6234	2-56	3-48	4-40	4-48	6-32	6-40	8-32		
9/16	6235	2-56	3-48	4-40	4-48	6-32	6-40	8-32		
5/8	6236	2-56	3-48	4-40	4-48	6-32	6-40	8-32	10-24	10-32
11/16	6237					6-32	6-40	8-32	10-24	10-32
3/4	6238					6-32	6-40	8-32	10-24	10-32
13/16	6239					6-32	6-40	8-32	10-24	10-32
1	6240					6-32	6-40	8-32	10-24	10-32
1-1/8	6241					6-32	6-40	8-32	10-24	10-32
1-1/4	6242					6-32	6-40	8-32	10-24	10-32

Other lengths available on special order. See page 65 to specify part numbers not listed in Table.

Part Nos. by Length and Thread Sizes. For all dimensions other than Length Refer to Table 12.



THREAD CODE	
THREAD	CODE
2-56	0256
3-48	0348
4-40	0440
4-48	0448
6-32	0632
6-40	0640
8-32	0832
10-24	1024
10-32	1032



Refer to page 66 for Finish Codes.

**CHART A - Materials**

MATERIAL	CODE LETTER
BRASS	B
STEEL	S
STAINLESS STEEL	SS

CAPTIVE PANEL SCREWS

### PANEL SCREW RETAINER

(INSERT - SCREW THREAD-PANEL) Per FSC-5305-120

**Type 1:** These panel retainers are designed to be used with type 1 captive screws as listed see pages 68 and 69.

- Material**
- SS-Corrosive Resisting Steel (Stainless Steel): ASTM A581-75 thru 1/2 O.D. over 1/2 AMS-5762.
  - B-Brass: QQ-B-626 Comp 22 1/2 Hard.

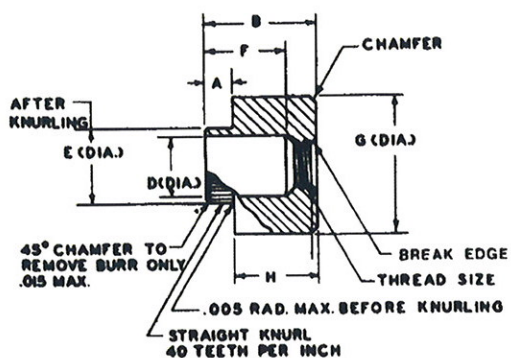
- Standard Finish**
- For Corrosive Resisting Steel (SS): Passivate per QQ-P-35.
  - For Brass (B): Nickel Plate - QQ-N-290 Grade G.

- Threads**
- UNC-2B and UNF-2B per National Bureau of Standards Handbook H28 titled "Screw-Thread Standards for Federal Services."

- Workmanship**
- To high precision standards.

- Quality Control**
- To MIL-STD-105. Made for use on government equipment.

**TYPE 1** (Refer to Table 14)



**NOTES:**

- Available in other materials on special order. Price on Application.
- Any similar type captive panel retainer in any increment of body or thread size is available on special order. Price on Application.
- CHAMFER - UNDER 1/2 inch "G" dimension, chamfer is 1/64 x 45°. 1/2 inch "G" dimension and over, chamfer is 1/32 x 45°.
- X-Hole - Size for Press Fit See Table 20, page 81.

**TABLE 15**  
CODE FOR  
SHANK LENGTH (A DIM.)

CODE	LENGTH OF SHANK	PANEL THICKNESS
A	.050	.048-.072
B	.080	.074-.109
C	.125	.119-.156
D	.188	.188
E	.250	.250

Note: For special shank lengths contact Amatom sales office for part numbers.

**TABLE 14 - Type 1**

PART NO./MATERIAL		THREAD SIZE	PANEL THICKNESS RANGE	A ±.005	REF. B ±.010	D ±.005	E +.003 -.000	F ±.005	G ±.003	H ±.005
BRASS (B)	CRES (SS)									
6250A-B-0440	6250A-SS-0440	4-40 UNC-2B	.048-.072	.050	1/4	.140	.198	.1640	1/4	.200
6250B-B-0440	6250B-SS-0440		.074-.109	.080						.170
6250C-B-0440	6250C-SS-0440		.119-.156	.125						.125
6251A-B-0632	6251A-SS-0632	6-32 UNC-2B	.048-.072	.050	5/16	.150	.198	.2150	1/4	.262
6251B-B-0632	6251B-SS-0632		.074-.109	.080						.232
6251C-B-0632	6251C-SS-0632		.119-.156	.125						.187
6251D-B-0632	6251D-SS-0632		.188	.188						.124
6252A-B-0832	6252A-SS-0832	8-32 UNC-2B	.048-.072	.050	5/16	.188	.228	.2110	5/16	.262
6252B-B-0832	6252B-SS-0832		.074-.109	.080						.232
6252C-B-0832	6252C-SS-0832		.119-.156	.125						.187
6252D-B-0832	6252D-SS-0832		.188	.188						.124
6253A-B-1024	6253A-SS-1024	10-24 UNC-2B	.048-.072	.050	3/8	.228	.280	.2380	3/8	.325
6253B-B-1024	6253B-SS-1024		.074-.109	.080						.295
6253C-B-1024	6253C-SS-1024		.119-.156	.125						.250
6253D-B-1024	6253D-SS-1024		.188	.188						.187
6253E-B-1024	6253E-SS-1024		.250	.250						.125

continued...

5 Pasco Hill Road • Cromwell, CT 06416-1093  
 Phone: 860-828-0847 • Call Toll Free: 800-243-6032 • Fax: 860-828-0381  
 Web Address: <http://www.amatom.com> • E-Mail: [sales@amatom.com](mailto:sales@amatom.com)

CAPTIVE PANEL RETAINERS

### PANEL SCREW RETAINER

(INSERT-SCREW THREAD-PANEL) Per FSC-5340-411

TABLE 14 - Type 1 (continued from previous page)

PART NO./MATERIAL		THREAD SIZE	PANEL THICKNESS RANGE	A	REF. B	D	E	F	G	H
BRASS	CRES (SS)			±.005	±.010	±.005	+ .003 - .000	±.005	±.003	±.005
6254A-B-1032	6254A-SS-1032	10-32 UNF-2B	.048-.072	.050	3/8	.228	.280	.2380	3/8	.325
6254B-B-1032	6254B-SS-1032		.074-.109	.080						.295
6254C-B-1032	6254C-SS-1032		.119-.156	.125						.250
6254D-B-1032	6254D-SS-1032		.118	.188						.250
6254E-B-1032	6254E-SS-1032		.250	.250						.250
6255A-B-2520	6255A-SS-2520	1/4-20 UNC-2B	.048-.072	.050	7/16	.295	.366	.2990	1/2	.387
6255B-B-2520	6255B-SS-2520		.074-.109	.080						.357
6255C-B-2520	6255C-SS-2520		.119-.156	.125						.312
6255D-B-2520	6255D-SS-2520		.188	.188						.249
6255E-B-2520	6255E-SS-2520		.250	.250						.187
6256A-B-2528	6256A-SS-2528	1/4-28 UNF-2B	.048-.072	.050	7/16	.295	.366	.2990	1/2	.387
6256B-B-2528	6256B-SS-2528		.074-.109	.080						.357
6256C-B-2528	6256C-SS-2528		.119-.156	.125						.312
6256D-B-2528	6256D-SS-2528		.188	.188						.249
6256E-B-2528	6256E-SS-2528		.250	.250						.187
6257A-B-3118	6257A-SS-3118	5/16-18 UNC-2B	.048-.072	.050	1/2	.347	.414	.3640	5/8	.450
6257B-B-3118	6257B-SS-3118		.074-.109	.080						.420
6257C-B-3118	6257C-SS-3118		.119-.156	.125						.375
6257D-B-3118	6257D-SS-3118		.188	.188						.312
6257E-B-3118	6257E-SS-3118		.250	.250						.250
6258B-B-3716	6258B-SS-3716	*3/8-16 UNC-2B	.074-.109	.080	9/16	.406	.479	.4280	7/8	.482
6258C-B-3716	6258C-SS-3716		.119-.156	.125						.437
6258D-B-3716	6258D-SS-3716		.188	.188						.374
6258E-B-3716	6258E-SS-3716		.250	.250						.312

NOTE: \*3/8-16 size available on special order only when not in stock.

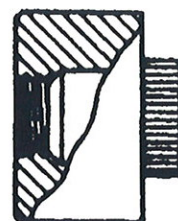
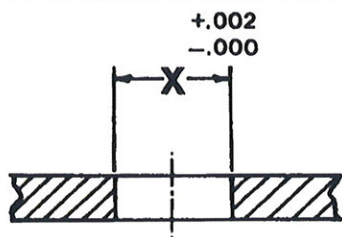
### METHOD OF INSTALLATION

(FOR KNURLED SHANK RETAINERS)

TABLE 20

SHANK DIA. "E"	.198	.228	.280	.366	.414	.479
X DIM.	.188	.218	.270	.356	.404	.469

**PRESS FIT ONLY**



5 Pasco Hill Road • Cromwell, CT 06416-1093  
 Phone: 860-828-0847 • Call Toll Free: 800-243-6032 • Fax: 860-828-0381  
 Web Address: <http://www.amatom.com> • E-Mail: [sales@amatom.com](mailto:sales@amatom.com)

### PANEL SCREW RETAINER

(INSERT-SCREW THREAD-PANEL) Per FSC-5340-411

**Type 2A:** These panel retainers are designed to be used with type 2 captive screws as listed on pages 70 and 71.  
**RETAINER**

- Material**
- SS-Corrosive Resisting Steel (Stainless Steel): ASTM A581-75 thru 1/2 O.D. over 1/2 AMS-5762.
  - B-Brass: QQ-B-626 Comp. 22 1/2 Hard.

**Standard** • For Corrosive Resisting Steel (SS): Passivate per QQ-P-35.

**Finish** • For Brass (B): Nickel plate - QQ-N-290 Grade G.

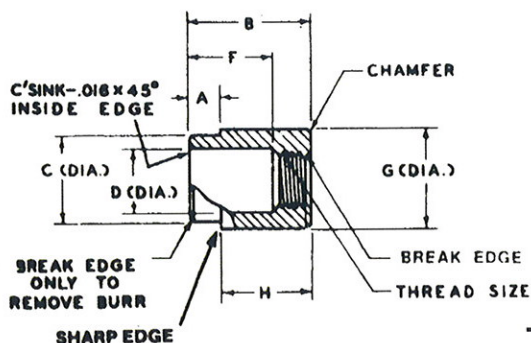
**Threads** • UNC-2B and UNF-2B per National Bureau of Standards Handbook H28 titled "Screw-Thread Standards for Federal Services."

**Workmanship** • To high precision standards.

**Quality Control** • To MIL-STD-105. Made for use on Government Equipment.

#### TYPE 2A

(Refer to Table 16)



**NOTES:** • Available in other materials on special order. Price on application.

• Any similar type captive panel retainer in any increment of body or thread size is available on special order. Price on application.

• CHAMFER - UNDER 1/2 inch "G" dimension, chamfer is 1/64 x 45°. 1/2 inch "G" dimension and over, chamfer is 1/32 x 45°.

**TABLE 17**  
CODE FOR SHANK LENGTH (A DIM.)

CODE	LENGTH OF SHANK	PANEL THICKNESS
A	.062	.052-.067
B	.093	.084-.099
C	.125	.109-.140
D	.187	.171-.203
E	.250	.234-.265

NOTE: For special shank lengths contact Amatom sales office for part numbers.

**TABLE 16 - Type 2A**

PARTNO./MATERIAL		THREAD SIZE	PANEL THICKNESS RANGE	NOMINAL PANEL	A	B	C	D	F	G	H
BRASS (B)	CRES (S)				±.005	±.010	+0.000 -.003	±.005	±.005	±.003	±.005
6270A-B-0440	6270A-SS-0440	4-40 UNC-2B	.052-.067	1/16	.062	3/8	.250	.188	.2580	9/32	.313
6270B-B-0440	6270B-SS-0440		.084-.099	3/32	.093						.282
6270C-B-0440	6270C-SS-0440		.109-.140	1/8	.125						.250
6271A-B-0632	6271A-SS-0440	6-32 UNC-2B	.052-.067	1/16	.062	3/8	.250	.188	.2660	9/32	.313
6271B-B-0632	6271B-SS-0632		.084-.099	3/32	.093						.282
6271C-B-0632	6271C-SS-0632		.109-.140	1/8	.125						.250
6272A-B-0832	6272A-SS-0832	8-32 UNC-2B	.052-.067	1/16	.062	9/16	.433	.375	.3740	17/32	.500
6272B-B-0832	6272B-SS-0832		.084-.099	3/32	.093						.469
6272C-B-0832	6272C-SS-0832		.109-.140	1/8	.125						.437
6272D-B-0832	6272D-SS-0832		.171-.203	3/16	.187						.375
6272E-B-0832	6272E-SS-0832		.234-.265	1/4	.250						.312
6273A-B-1024	6273A-SS-1024	10-24 UNC-2B	.052-.067	1/16	.062	9/16	.433	.375	.3820	17/32	.500
6273B-B-1024	6273B-SS-1024		.084-.099	3/32	.093						.469
6273C-B-1024	6273C-SS-1024		.109-.140	1/8	.125						.437
6273D-B-1024	6273D-SS-1024		.171-.203	3/16	.187						.375
6273E-B-1024	6273E-SS-1024		.234-.265	1/4	.250						.312

continued...

5 Pasco Hill Road • Cromwell, CT 06416-1093  
 Phone: 860-828-0847 • Call Toll Free: 800-243-6032 • Fax: 860-828-0381  
 Web Address: <http://www.amatom.com> • E-Mail: [sales@amatom.com](mailto:sales@amatom.com)

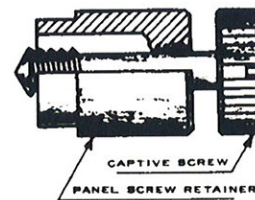
### PANEL SCREW RETAINER

(INSERT-SCREW THREAD-PANEL) Per FSC-5340-411

**TABLE 16 - Type 2A** (continued from previous page)

PART NO./MATERIAL		THREAD SIZE	PANEL THICKNESS RANGE	NOMINAL PANEL SIZE	A	B REF.	C	D	F	G	H
BRASS (B)	CRES (SS)				±.005	±.010	+ .000 - .003	±.005	±.005	±.003	±.005
6274A-B-1032	6274A-SS-1032	10-32 UNF-2B	.052-.067	1/16	.062	9/16	.433	.375	.382	17/32	.500
6274B-B-1032	6274B-SS-1032		.084-.099	3/32	.093						.469
6274C-B-1032	6274C-SS-1032		.109-.140	1/8	.125						.437
6274D-B-1032	6274D-SS-1032		.171-.203	3/16	.187						.375
6274E-B-1032	6274E-SS-1032		.234-.265	1/4	.250						.312
6275A-B-1224	6275A-SS-1224	12-24 UNC-2B	.052-.067	1/16	.062	9/16	.433	.375	.390	17/32	.500
6275B-B-1224	6275B-SS-1224		.084-.099	3/32	.093						.469
6275C-B-1224	6275C-SS-1224		.109-.140	1/8	.125						.437
6275D-B-1224	6275D-SS-1224		.171-.203	3/16	.187						.375
6275E-B-1224	6275E-SS-1224		.234-.265	1/4	.250						.312
6276A-B-2520	6276A-SS-2520	1/4-20 UNC-2B	.052-.067	1/16	.062	9/16	.433	.375	.400	17/32	.500
6276B-B-2520	6276B-SS-2520		.084-.099	3/32	.093						.469
6276C-B-2520	6276C-SS-2520		.109-.140	1/8	.125						.437
6276D-B-2520	6276D-SS-2520		.171-.203	3/16	.187						.375
6276E-B-2520	6276E-SS-2520		.234-.265	1/4	.250						.312
6277A-B-2528	6277A-SS-2528	1/4-28 UNF-2B	.052-.067	1/16	.062	9/16	.433	.375	.400	17/32	.500
6277B-B-2528	6277B-SS-2528		.084-.099	3/32	.093						.469
6277C-B-2528	6277C-SS-2528		.109-.140	1/8	.125						.437
6277D-B-2528	6277D-SS-2528		.171-.203	3/16	.187						.375
6277E-B-2528	6277E-SS-2528		.234-.265	1/4	.250						.312

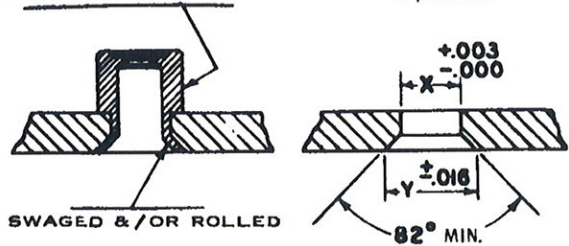
### RETAINER-ASSEMBLY



### METHOD OF INSTALLATION

NOTES •1-X Dim. per table 21  
•2-X Hole to be drilled or punched.

PANEL SCREW RETAINER



**TABLE 21 "Y" DIMENSION (TOL ±.016)**

SHANK DIA "C"	.250	.433
X DIA.	.257	.437
Y DIA.	.318	.498

**RULE OF THUMB FOR "Y" COUNTERSINK**  
 $Y = X + .045 \text{ Min.}$   
 or  
 $.078 \text{ Max.}$

5 Pasco Hill Road • Cromwell, CT 06416-1093  
 Phone: 860-828-0847 • Call Toll Free: 800-243-6032 • Fax: 860-828-0381  
 Web Address: <http://www.amatom.com> • E-Mail: [sales@amatom.com](mailto:sales@amatom.com)

## PANEL SCREW RETAINER

(INSERT-SCREW THREAD-PANEL) Per FSC-5340-411

**Type 2B:** These panel retainers are designed to be used with type 2 captive screws as listed on pages 70 and 71.

NOTE: Part Numbers for Panel Retainers as listed in Table 18 include the Spring.

- Material**
- SS-Corrosive Resisting Steel (Stainless Steel): ASTM A581-75 thru 1/2 O.D. over 1/2 AMS-5762.
  - B-Brass: QQ-B-626 Comp. 22 1/2 Hard.

- Standard**
- For Corrosive Resisting Steel (SS): Passivate per QQ-P-35.

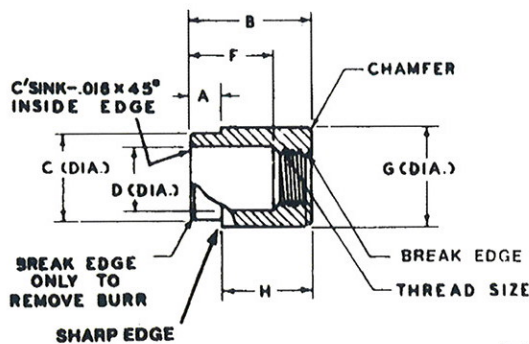
- Finish**
- For Brass (B): Nickel Plate per QQ-N-290 Grade G.

- Threads**
- UNC-2B and UNF-2B per National Bureau of Standards Handbook H28 titled "Screw-Thread Standards for Federal Services."

- Workmanship**
- To high precision standards.

- Quality Control**
- To MIL-STD-105. Made for use on Government Equipment.

### TYPE 2B (Refer to Table 18)



NOTES:

- Available in other materials on special order. Price on application.

- Any similar type captive panel retainer in any increment of body or thread size is available on special order. Price on application.

- CHAMFER - under 1/2 inch "G" dimension, chamfer is 1/64 x 45°. 1/2 inch "G" dimension and over, chamfer is 1/32 x 45°.

**TABLE 17**

CODE FOR SHANK LENGTH (A DIM.)

CODE	LENGTH OF SHANK	PANEL THICKNESS
A	.062	.052-.067
B	.093	.084-.099
C	.125	.109-.140
D	.187	.171-.203
E	.250	.234-.265

NOTE: For special shank lengths contact Amatom sales office for part numbers.

**TABLE 18 - Type 2B**

PART NO./MATERIAL		THREAD SIZE	PANEL THICKNESS RANGE	NOMINAL PANEL SIZE	A	B	C	D	F	G	H	J	K
BRASS (B)	CRES (SS)				±.005	REF. ±.010	+ .000 - .003	±.005	±.005	±.003	±.005	+ .007 - .000	+ .005 - .000
6280A-B-0440	6280A-SS-0440	4-40 UNC-2B	.052-.067	1/16	.062						.375		
6280B-B-0440	6280B-SS-0440		.084-.099	3/32	.093	7/16	.250	.188	.2820	9/32	.344	.078	.192
6280C-B-0440	6280C-SS-0440		.109-.140	1/8	.125							.312	
6281A-B-0632	6281A-SS-0632	6-32 UNC-2B	.052-.067	1/16	.062						.375		
6281B-B-0632	6281B-SS-0632		.084-.099	3/32	.093	7/16	.250	.188	.2660	9/32	.344	.078	.192
6281C-B-0632	6281C-SS-0632		.109-.140	1/8	.125							.312	
6282A-B-0832	6282A-SS-0832	8-32 UNC-2B	.052-.067	1/16	.062						.563		
6282B-B-0832	6282B-SS-0832		.084-.099	3/32	.093						.532		
6282C-B-0832	6282C-SS-0832		.109-.140	1/8	.125	5/8	.433	.375	.3740	17/32	.500	.093	.312
6282D-B-0832	6282D-SS-0832		.171-.203	3/16	.187						.438		
6282E-B-0832	6282E-SS-0832		.234-.265	1/4	.250						.375		
6283A-B-1024	6283A-SS-1024	10-24 UNC-2B	.052-.067	1/16	.062						.563		
6283B-B-1024	6283B-SS-1024		.084-.099	3/32	.093						.532		
6283C-B-1024	6283C-SS-1024		.109-.140	1/8	.125	5/8	.433	.375	.3820	17/32	.500	.093	.312
6283D-B-1024	6283D-SS-1024		.171-.203	3/16	.187						.438		
6283E-B-1024	6283E-SS-1024		.234-.265	1/4	.250						.375		

continued on next page

5 Pasco Hill Road • Cromwell, CT 06416-1093  
 Phone: 860-828-0847 • Call Toll Free: 800-243-6032 • Fax: 860-828-0381  
 Web Address: <http://www.amatom.com> • E-Mail: [sales@amatom.com](mailto:sales@amatom.com)

CAPTIVE PANEL RETAINERS

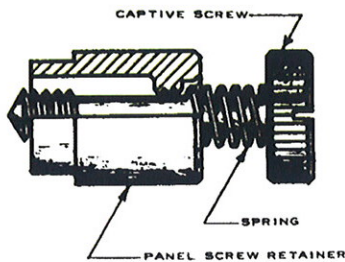
### PANEL SCREW RETAINER

(INSERT-SCREW THREAD-PANEL) Per FSC-5340-411

TABLE 18 - Type 2B (continued from previous page)

PART NO./MATERIAL		THREAD SIZE	PANEL THICKNESS RANGE	NOMINAL PANEL SIZE	A ±.005	B REF. ±.010	C +.000 -.003	D ±.005	F ±.005	G ±.003	H ±.005	J +.007 -.000	K +.005 -.000
BRASS (B)	CRES (SS)												
6284A-B-1032	6284A-SS-1032	10-32 UNF-2B	.052-.067	1/16	.062						.563		
6284B-B-1032	6284B-SS-1032		.084-.099	3/32	.093						.532		
6284C-B-1032	6284C-SS-1032		.109-.140	1/8	.125	5/8	.433	.375	.3820	17/32	.500	.093	.312
6284D-B-1032	6284D-SS-1032		.171-.203	3/16	.187						.438		
6284E-B-1032	6284E-SS-1032		.234-.265	1/4	.250						.375		
6285A-B-1224	6285A-SS-1224	12-24 UNC-2B	.052-.067	1/16	.062						.563		
6285B-B-1224	6285B-SS-1224		.084-.099	3/32	.093						.532		
6285C-B-1224	6285C-SS-1224		.109-.140	1/8	.125	5/8	.433	.375	.3900	17/32	.500	.093	.312
6285D-B-1224	6285D-SS-1224		.171-.203	3/16	.187						.438		
6285E-B-1224	6285E-SS-1224		.234-.265	1/4	.250						.375		
6286A-B-2520	6286A-SS-2520	1/4-20 UNC-2B	.052-.067	1/16	.062						.563		
6286B-B-2520	6286B-SS-2520		.084-.099	3/32	.093						.532		
6286C-B-2520	6286C-SS-2520		.109-.140	1/8	.125	5/8	.433	.375	.4000	17/32	.500	.093	.312
6286D-B-2520	6286D-SS-2520		.171-.203	3/16	.187						.438		
6286E-B-2520	6286E-SS-2520		.234-.265	1/4	.250						.375		
6287A-B-2528	6287A-SS-2528	1/4-28 UNF-2B	.052-.067	1/16	.062						.563		
6287B-B-2528	6287B-SS-2528		.084-.099	3/32	.093						.532		
6287C-B-2528	6287C-SS-2528		.109-.140	1/8	.125	5/8	.433	.375	.4000	17/32	.500	.093	.312
6287D-B-2528	6287D-SS-2528		.171-.203	3/16	.187						.438		
6287E-B-2528	6287E-SS-2528		.234-.265	1/4	.250						.375		

### RETAINER ASSEMBLY



### SPRING

#### MATERIAL:

- Stainless Steel Wire ASTM-A313
- 5 turns on a spring plus 1 flat turn each end.

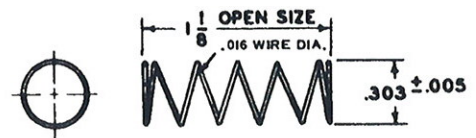
#### NOTES:

- Part Number for panel retainer type 2B includes the spring.
- Spring heights will vary as lengths change so as to insure constant and ample tension.

Part No. 5616 - Spring (Miniature)  
use with 4-40 and 6-32



Part No. 5617 - Spring (Standard)



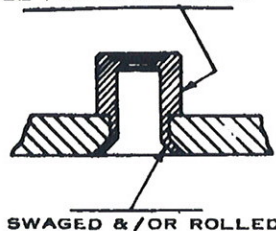
### METHOD OF INSTALLATION

TABLE 21 "Y" DIMENSION (TOL ±.016)

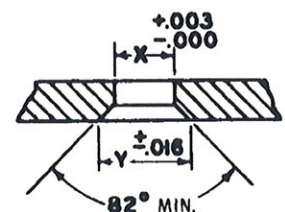
SHANK DIA "C"	.250	.433
X DIA.	.257	.437
Y DIA.	.318	.498

RULE OF THUMB FOR "Y" COUNTERSINK  
 $Y = X + .045 \text{ Min.}$   
 or  
 $.078 \text{ Max.}$

PANEL SCREW RETAINER



NOTES •1-X Dim. per table 21  
 •2-X Hole to be drilled or punched.



### PANEL SCREW RETAINER

(INSERT-SCREW THREAD-PANEL) Per FSC-5340-411

**Type 2C:** These panel retainers are designed to be used with type 2 captive screws as listed on pages 70 and 71.

NOTE: Part Numbers for Panel Screw Retainers as listed in Table 19 include the Retainer Ring.

- Material**
- SS-Corrosive Resisting Steel (Stainless Steel): ASTM A581-75 thru 1/2 O.D. over 1/2 AMS-5762.
  - B-Brass: QQ-B-626 Comp. 22 1/2 Hard.

- Standard**
- For Corrosive Resisting Steel (SS): Passivate per QQ-P-35.

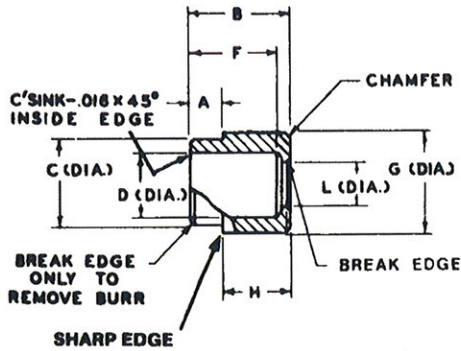
- Finish**
- For Brass (B): Nickel Plate per QQ-N-290 Grade G.

- Threads**
- UNC-2B and UNF-2B per National Bureau of Standards Handbook H28 titled "Screw-Thread Standards for Federal Services."

- Workmanship**
- To high precision standards.

- Quality Control**
- To MIL-STD-105. Made for use on Government Equipment.

#### TYPE 2C (Refer to Table 19)



NOTES: • Available in other materials on special order. Price on application.

- Any similar type captive panel retainer in any increment of body or thread size is available on special order. Price on application.

- CHAMFER - under 1/2 inch "G" dimension, chamfer is 1/64 x 45°. 1/2 inch "G" dimension and over, chamfer is 1/32 x 45°.

**TABLE 17**

CODE FOR SHANK LENGTH (A DIM.)

CODE	LENGTH OF SHANK	PANEL THICKNESS
A	.062	.052-.067
B	.093	.084-.099
C	.125	.109-.140
D	.187	.171-.203
E	.250	.234-.265

NOTE: For special shank lengths contact Amatom sales office for part numbers.

**TABLE 19 - Type 2C**

PART NO./MATERIAL		THREAD SIZE	PANEL THICKNESS RANGE	NOMINAL PANEL SIZE	A	B	C	D	F	G	H	L
BRASS (B)	CRES (SS)				±.005	REF. ±.010	+ .000 - .003	±.005	±.005	±.003	±.005	+ .004 - .000
6290A-B-0440	6290A-SS-0440	4-40 UNC-2B	.052-.067	1/16	.062	3/8	.250	.188	.2900	9/32	.282	.125
6290B-B-0440	6290B-SS-0440		.084-.099	3/32	.093							
6290C-B-0440	6290C-SS-0440		.109-.140	1/8	.125							
6291A-B-0632	6291A-SS-0632	6-32 UNC-2B	.052-.067	1/16	.062	3/8	.250	.188	.2970	9/32	.282	.152
6291B-B-0632	6291B-SS-0632		.084-.099	3/32	.093							
6291C-B-0632	6291C-SS-0632		.109-.140	1/8	.125							
6292A-B-0832	6292A-SS-0832	8-32 UNC-2B	.052-.067	1/16	.062	9/16	.433	.375	.4370	17/32	.437	.177
6292B-B-0832	6292B-SS-0832		.084-.099	3/32	.093							
6292C-B-0832	6292C-SS-0832		.109-.140	1/8	.125							
6292D-B-0832	6292D-SS-0832		.171-.203	3/16	.187							
6292E-B-0832	6292E-SS-0832		.234-.265	1/4	.250							
6293A-B-1024	6293A-SS-1024	10-24 UNC-2B	.052-.067	1/16	.062	9/16	.433	.375	.4450	17/32	.437	.203
6293B-B-1024	6293B-SS-1024		.084-.099	3/32	.093							
6293C-B-1024	6293C-SS-1024		.109-.140	1/8	.125							
6293D-B-1024	6293D-SS-1024		.171-.203	3/16	.187							
6293E-B-1024	6293E-SS-1024		.234-.265	1/4	.250							

continued on next page

5 Pasco Hill Road • Cromwell, CT 06416-1093  
 Phone: 860-828-0847 • Call Toll Free: 800-243-6032 • Fax: 860-828-0381  
 Web Address: <http://www.amatom.com> • E-Mail: [sales@amatom.com](mailto:sales@amatom.com)

CAPTIVE PANEL RETAINERS



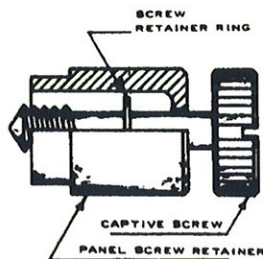
### PANEL SCREW RETAINER

(INSERT-SCREW THREAD-PANEL) Per FSC-5340-411

TABLE 19 - Type 2C (continued from previous page)

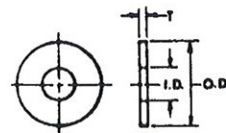
PART NO./MATERIAL		THREAD SIZE CLEARANCE	PANEL THICKNESS RANGE	NOMINAL PANEL SIZE	A ±.005	B REF. ±.010	C +.000 -.003	D ±.005	F ±.005	G ±.003	H ±.005	L +.004 -.000
BRASS (B)	CRES (SS)											
6294A-B-1032	6294A-SS-1032	10-32 UNF-2B	.052-.067	1/16	.062						.500	.203
6294B-B-1032	6294B-SS-1032		.084-.099	3/32	.093						.469	
6294C-B-1032	6294C-SS-1032		.109-.140	1/8	.125	9/16	.433	.375	.4450	17/32	.437	
6294D-B-1032	6294D-SS-1032		.171-.203	3/16	.187						.375	
6294E-B-1032	6294E-SS-1032		.234-.265	1/4	.250						.312	
6295A-B-1224	6295A-SS-1224	12-24 UNC-2B	.052-.067	1/16	.062						.500	.228
6295B-B-1224	6295B-SS-1224		.084-.099	3/32	.093						.469	
6295C-B-1224	6295C-SS-1224		.109-.140	1/8	.125	9/16	.433	.375	.4520	17/32	.437	
6295D-B-1224	6295D-SS-1224		.171-.203	3/16	.187						.375	
6295E-B-1224	6295E-SS-1224		.234-.265	1/4	.250						.312	
6296A-B-2520	6296A-SS-2520	1/4-20 UNC-2B	.052-.067	1/16	.062						.500	.257
6296B-B-2520	6296B-SS-2520		.084-.099	3/32	.093						.469	
6296C-B-2520	6296C-SS-2520		.109-.140	1/8	.125	9/16	.433	.375	.4630	17/32	.437	
6296D-B-2520	6296D-SS-2520		.171-.203	3/16	.187						.375	
6296E-B-2520	6296E-SS-2520		.234-.265	1/4	.250						.312	
6297A-B-2528	6297A-SS-2528	1/4-28 UNF-2B	.052-.067	1/16	.062						.500	.257
6297B-B-2528	6297B-SS-2528		.084-.099	3/32	.093						.469	
6297C-B-2528	6297C-SS-2528		.109-.140	1/8	.125	9/16	.433	.375	.4630	17/32	.437	
6297D-B-2528	6297D-SS-2528		.171-.203	3/16	.187						.375	
6297E-B-2528	6297E-SS-2528		.234-.265	1/4	.250						.312	

### RETAINER ASSEMBLY

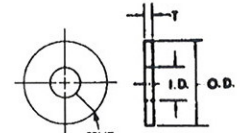


### RETAINER RING

PLASTIC OR METAL



MATERIAL-NYLON

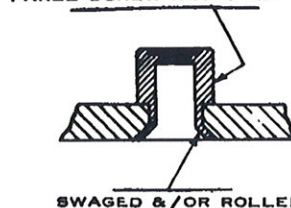


MATERIAL-STAINLESS STEEL

PART NO.	THREAD SIZE	±.003 O.D.	±.003 I.D.	±.002 T	PART NO.	THREAD SIZE	±.002 O.D.	±.002 I.D.	±.002 T
4382-1	4-40	.171	.100	.015	4382-1-SS	4-40	.177	.092	.010
4382-2	6-32	.171	.125	.020	4382-2-SS	6-32	.177	.108	.010
4382-3	8-32	.312	.152	.020	4382-3-SS	8-32	.328	.146	.012
4382-4	10-24	.312	.167	.020	4382-4-SS	10-24	.328	.166	.012
4382-5	10-32	.312	.173	.020	4382-5-SS	10-32	.328	.166	.012
4382-6	12-24	.312	.193	.020	4382-6-SS	12-24	.328	.180	.012
4382-7	1/4-20	.312	.228	.030	4382-7-SS	1/4-20	.328	.204	.012
4382-8	1/4-28	.312	.228	.030	4382-8-SS	1/4-28	.328	.213	.012

### METHOD OF INSTALLATION

PANEL SCREW RETAINER



NOTES •1-X Dim. per table 21  
•2-X Hole to be drilled or punched.

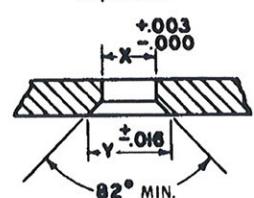


TABLE 21 "Y" DIMENSION (TOL ±.016)

SHANK DIA "C"	.250	.433
X DIA.	.257	.437
Y DIA.	.318	.498

RULE OF THUMB FOR "Y" COUNTERSINK  
 $Y = X + .045 \text{ Min.}$   
 or  
 $.078 \text{ Max.}$

5 Pasco Hill Road • Cromwell, CT 06416-1093  
 Phone: 860-828-0847 • Call Toll Free: 800-243-6032 • Fax: 860-828-0381  
 Web Address: <http://www.amatom.com> • E-Mail: [sales@amatom.com](mailto:sales@amatom.com)

## PANEL SCREW RETAINER

(INSERT-SCREW THREAD-PANEL) Per FSC-5340-411

**Type 2:** These panel retainers are designed to be used with type 2 captive screws as listed on pages 70 and 71.

**NOTE:** Part Numbers for Panel Screw Retainers as listed in Table 24 include BOTH the Retainer Ring and the Spring.

- Material**
- SS-Corrosive Resisting Steel (Stainless Steel): ASTM A581-75 thru 1/2 O.D. over 1/2 AMS-5762.
  - B-Brass: QQ-B-626 Comp. 22 1/2 Hard.

**Standard** • For Corrosive Resisting Steel (SS): Passivate per QQ-P-35.

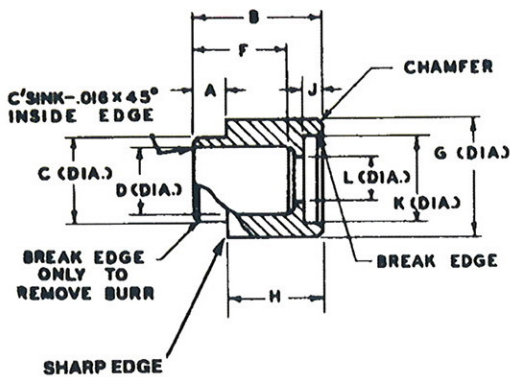
**Finish** • For Brass (B): Nickel Plate per QQ-N-290 Grade G.

**Threads** • UNC-2B and UNF-2B per National Bureau of Standards Handbook H28 titled "Screw-Thread Standards for Federal Services."

**Workmanship** • To high precision standards.

**Quality Control** • To MIL-STD-105. Made for use on Government Equipment.

### TYPE 2D (Refer to Table 24)



**NOTES:**

- Available in other materials on special order. Price on application.

- Any similar type captive panel retainer in any increment of body or thread size is available on special order. Price on application.

- CHAMFER - under 1/2 inch "G" dimension, chamfer is 1/64 x 45°. 1/2 inch "G" dimension and over, chamfer is 1/32 x 45°.

**TABLE 17**

CODE FOR SHANK LENGTH (A DIM.)

CODE	LENGTH OF SHANK	PANEL THICKNESS
A	.062	.052-.067
B	.093	.084-.099
C	.125	.109-.140
D	.187	.171-.203
E	.250	.234-.265

**NOTE:** For special shank lengths contact Amatom sales office for part numbers.

**TABLE 24 - Type 2D**

PART NO./MATERIAL		THREAD SIZE CLEARANCE	PANEL THICKNESS RANGE	NOMINAL PANEL SIZE	A	B	C	D	F	G	H	J	K	L
BRASS (B)	CRES (SS)				±.005	REF. ±.010	+ .000 - .003	±.005	±.005	±.003	±.005	+ .005 - .000	+ .005 - .000	+ .004 - .000
6300A-B-0440	6300A-SS-0440	4-40 UNC-2B	.052-.067	1/16	.062						.375			
6300B-B-0440	6300B-SS-0440		.084-.099	3/32	.093	7/16	.250	.188	.2900	9/32	.344	.078	.192	.125
6300C-B-0440	6300C-SS-0440		.109-.140	1/8	.125						.312			
6301A-B-0632	6301A-SS-0632	6-32 UNC-2B	.052-.067	1/16	.062						.375			
6301B-B-0632	6301B-SS-0632		.084-.099	3/32	.093	7/16	.250	.188	.2980	9/32	.344	.078	.192	.152
6301C-B-0632	6301C-SS-0632		.109-.140	1/8	.125						.312			
6302A-B-0832	6302A-SS-0832	8-32 UNC-2B	.052-.067	1/16	.062						.563			
6302B-B-0832	6302B-SS-0832		.084-.099	3/32	.093						.532			
6302C-B-0832	6302C-SS-0832		.109-.140	1/8	.125	5/8	.433	.375	.4050	17/32	.500	.096	.312	.177
6302D-B-0832	6302D-SS-0832		.171-.203	3/16	.187						.438			
6302E-B-0832	6302E-SS-0832		.234-.265	1/4	.250						.375			
6303A-B-1024	6303A-SS-1024	10-24 UNC-2B	.052-.067	1/16	.062						.563			
6303B-B-1024	6303B-SS-1024		.084-.099	3/32	.093						.532			
6303C-B-1024	6303C-SS-1024		.109-.140	1/8	.125	5/8	.433	.375	.4130	17/32	.500	.096	.312	.203
6303D-B-1024	6303D-SS-1024		.171-.203	3/16	.187						.438			
6303E-B-1024	6303E-SS-1024		.234-.265	1/4	.250						.375			

continued on next page

5 Pasco Hill Road • Cromwell, CT 06416-1093  
 Phone: 860-828-0847 • Call Toll Free: 800-243-6032 • Fax: 860-828-0381  
 Web Address: <http://www.amatom.com> • E-Mail: [sales@amatom.com](mailto:sales@amatom.com)

CAPTIVE PANEL RETAINERS

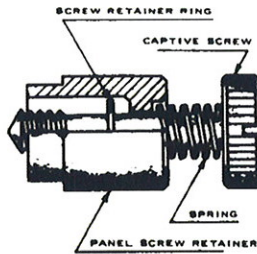
## PANEL SCREW RETAINER

(INSERT-SCREW THREAD-PANEL) Per FSC-5340-411

TABLE 24 - Type 2D (continued from previous page)

PART NO./MATERIAL		THREAD SIZE CLEARANCE	PANEL THICKNESS RANGE	NOMINAL PANEL SIZE	A ±.005	B REF. ±.010	C +.000 -.003	D ±.005	F ±.005	G ±.003	H ±.005	J +.005 -.000	K +.005 -.000	L +.004 -.000
BRASS (B)	CRES (S)													
6304A-B-1032	6304A-SS-1032	10-32 UNF-2B	.052-.067	1/16	.062						.563			
6304B-B-1032	6304B-SS-1032		.084-.099	3/32	.093						.532			
6304C-B-1032	6304C-SS-1032		.109-.140	1/8	.125	5/8	.433	.375	.4130	17/32	.500	.096	.312	.203
6304D-B-1032	6304D-SS-1032		.171-.203	3/16	.187						.438			
6304E-B-1032	6304E-SS-1032		.234-.265	1/4	.250						.375			
6305A-B-1224	6305A-SS-1224	12-24 UNC-2B	.052-.067	1/16	.062						.563			
6305B-B-1224	6305B-SS-1224		.084-.099	3/32	.093						.532			
6305C-B-1224	6305C-SS-1224		.109-.140	1/8	.125	5/8	.433	.375	.4210	17/32	.500	.096	.312	.228
6305D-B-1224	6305D-SS-1224		.171-.203	3/16	.187						.438			
6305E-B-1224	6305E-SS-1224		.234-.265	1/4	.250						.375			
6306A-B-2520	6306A-SS-2520	1/4-20 UNC-2B	.052-.067	1/16	.062						.563			
6306B-B-2520	6306B-SS-2520		.084-.099	3/32	.093						.532			
6306C-B-2520	6306C-SS-2520		.109-.140	1/8	.125	5/8	.433	.375	.4310	17/32	.500	.096	.312	.257
6306D-B-2520	6306D-SS-2520		.171-.203	3/16	.187						.438			
6306E-B-2520	6306E-SS-2520		.234-.265	1/4	.250						.375			
6307A-B-2528	6307A-SS-2528	1/4-28 UNF-2B	.052-.067	1/16	.062						.563			
6307B-B-2528	6307B-SS-2528		.084-.099	3/32	.093						.532			
6307C-B-2528	6307C-SS-2528		.109-.140	1/8	.125	5/8	.433	.375	.4310	17/32	.500	.096	.312	.257
6307D-B-2528	6307D-SS-2528		.171-.203	3/16	.187						.438			
6307E-B-2528	6307E-SS-2528		.234-.265	1/4	.250						.375			

### RETAINER ASSEMBLY



### SPRING

MATERIAL:

- Stainless Steel Wire ASTM-A313
- 5 turns on a spring plus 1 flat turn each end.

NOTES:

- Part Number for panel retainer type 2B includes the retainer and the spring.
- Spring heights will vary as lengths change so as to insure constant and ample tension.

Part No. 5616 - SPRING (Miniature)  
Use with 4-40 and 6-32

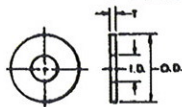


Part No. 5617 - SPRING (Standard)

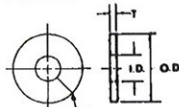


### RETAINER RING

PLASTIC OR METAL



MATERIAL-NYLON



MATERIAL-STAINLESS STEEL  
Note Type 301 per MS 5059 or QQS-766

PART NO.	THREAD SIZE	±.003 O.D.	±.003 I.D.	±.002 T
4382-1	4-40	.171	.100	.015
4382-2	6-32	.171	.125	.020
4382-3	8-32	.312	.152	.020
4382-4	10-24	.312	.167	.020
4382-5	10-32	.312	.173	.020
4382-6	12-24	.312	.193	.020
4382-7	1/4-20	.312	.228	.030
4382-8	1/4-28	.312	.228	.030

PART NO.	THREAD SIZE	±.002 O.D.	±.002 I.D.	±.002 T
4382-1-SS	4-40	.177	.092	.010
4382-2-SS	6-32	.177	.108	.010
4382-3-SS	8-32	.328	.146	.012
4382-4-SS	10-24	.328	.166	.012
4382-5-SS	10-32	.328	.166	.012
4382-6-SS	12-24	.328	.180	.012
4382-7-SS	1/4-20	.328	.204	.012
4382-8-SS	1/4-28	.328	.213	.012

### METHOD OF INSTALLATION

PANEL SCREW RETAINER

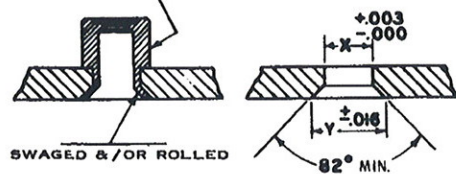


TABLE 21 "Y" DIMENSION (TOL ±.016)

SHANK DIA "C"	.250	.433
X DIA.	.257	.437
Y DIA.	.318	.498

- NOTES: • 1-X Dim. per Table 21  
• 2-X Hole to be drilled or punched

**RULE OF THUMB FOR "Y" COUNTERSINK**  
Y = X + .045 Min  
or .078 Max.

## PANEL SCREW RETAINER

(INSERT-SCREW THREAD-PANEL) Per FSC-5340-411

**Type 3:** These panel retainers are designed to be used with type 3 captive screws as listed on pages 72 and 73.

- Material**
- SS-Corrosive Resisting Steel (Stainless Steel): ASTM A581-75 thru 1/2 O.D. over 1/2 AMS-5762.
  - B-Brass: QQ-B-626 Comp. 22 1/2 Hard.

- Standard**
- For Corrosive Resisting Steel (SS): Passivate per QQ-P-35.

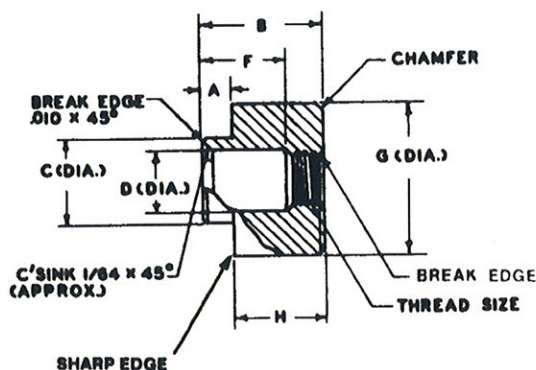
- Finish**
- For Brass (B): Nickel Plate per QQ-N-290 Grade G.

- Threads**
- UNC-2B and UNF-2B per National Bureau of Standards Handbook H28 titled "Screw-Thread Standards for Federal Services."

- Workmanship**
- To high precision standards.

- Quality Control**
- To MIL-STD-105. Made for use on Government Equipment.

### TYPE 3 (Refer to Table 25)



**NOTES:**

- Available in other materials on special order. Price on application.

- Any similar type captive panel retainer in any increment of body or thread size is available on special order. Price on application.

- CHAMFER - under 1/2 inch "G" dimension, chamfer is 1/64 x 45°. 1/2 inch "G" dimension and over, chamfer is 1/32 x 45°.

**TABLE 17**  
CODE FOR  
SHANK LENGTH (A DIM.)

CODE	LENGTH OF SHANK	PANEL THICKNESS
A	.062	.052-.067
B	.093	.084-.099
C	.125	.109-.140
D	.187	.171-.203
E	.250	.234-.265

NOTE: For special shank lengths contact Amatom sales office for part numbers.

**TABLE 25 - Type 3**

PART NO./MATERIAL		THREAD SIZE	PANEL THICKNESS RANGE	NOMINAL PANEL SIZE	A	B	C	D	F	G	H
BRASS (B)	CRES (SS)				±.005	REF. ±.010	+ .000 - .003	±.005	±.005	±.003	±.005
6310A-B-0440	6310A-SS-0440	4-40 UNC-2B	.052-.067	1/16	.062	1/4	.188	.140	.1640	1/4	.188
6310B-B-0440	6310B-SS-0440		.084-.099	3/32	.093						.157
6310C-B-0440	6310C-SS-0440		.109-.140	1/8	.125						.125
6311A-B-0632	6311A-SS-0632	6-32 UNC-2B	.052-.067	1/16	.062	5/16	.188	.150	.2150	1/4	.250
6311B-B-0632	6311B-SS-0632		.084-.099	3/32	.093						.219
6311C-B-0632	6311C-SS-0632		.109-.140	1/8	.125						.187
6312A-B-0832	6312A-SS-0832	8-32 UNC-2B	.052-.067	1/16	.062	5/16	.218	.188	.2110	3/8	.250
6312B-B-0832	6312B-SS-0832		.084-.099	3/32	.093						.219
6312C-B-0832	6312C-SS-0832		.109-.140	1/8	.125						.187
6312D-B-0832	6312D-SS-0832		.171-.203	3/16	.187						.125

continued...

5 Pasco Hill Road • Cromwell, CT 06416-1093  
 Phone: 860-828-0847 • Call Toll Free: 800-243-6032 • Fax: 860-828-0381  
 Web Address: <http://www.amatom.com> • E-Mail: [sales@amatom.com](mailto:sales@amatom.com)

## PANEL SCREW RETAINER

(INSERT-SCREW THREAD-PANEL) Per FSC-5340-411

TABLE 25 - Type 3 (continued from previous page)

PART NO./MATERIAL		THREAD SIZE	PANEL THICKNESS RANGE	NOMINAL PANEL SIZE	A ±.005	B REF. ±.010	C +.000 -.003	D ±.005	F ±.005	G ±.003	H ±.005
BRASS (B)	CRES (SS)										
6313A-B-1024	6313A-SS-1024	10-24 UNC-2B	.052-.067	1/16	.062						.313
6313B-B-1024	6313B-SS-1024		.084-.099	3/32	.093						.282
6313C-B-1024	6313C-SS-1024		.109-.140	1/8	.125	3/8	.270	.228	.2380	3/8	.250
6313D-B-1024	6313D-SS-1024		.171-.203	3/16	.187						.188
6313E-B-1024	6313E-SS-1024		.234-.265	1/4	.250						.125
6314A-B-1032	6314A-SS-1032	10-32 UNF-2B	.052-.067	1/16	.062						.313
6314B-B-1032	6314B-SS-1032		.084-.099	3/32	.093						.282
6314C-B-1032	6314C-SS-1032		.109-.140	1/8	.125	3/8	.270	.228	.2380	3/8	.250
6314D-B-1032	6314D-SS-1032		.171-.203	3/16	.187						.188
6314E-B-1032	6314E-SS-1032		.234-.265	1/4	.250						.125
6315A-B-1224	6315A-SS-1224	12-24 UNC-2B	.052-.067	1/16	.062						.313
6315B-B-1224	6315B-SS-1224		.084-.099	3/32	.093						.282
6315C-B-1224	6315C-SS-1224		.109-.140	1/8	.125	3/8	.270	.228	.2460	3/8	.250
6315D-B-1224	6315D-SS-1224		.171-.203	3/16	.187						.188
6315E-B-1224	6315E-SS-1224		.234-.265	1/4	.250						.125
6316A-B-2520	6316A-SS-2520	1/4-20 UNC-2B	.052-.067	1/16	.062						.375
6316B-B-2520	6316B-SS-2520		.084-.099	3/32	.093						.344
6316C-B-2520	6316C-SS-2520		.109-.140	1/8	.125	7/16	.356	.295	.2990	1/2	.312
6316D-B-2520	6316D-SS-2520		.171-.203	3/16	.187						.250
6316E-B-2520	6316E-SS-2520		.234-.265	1/4	.250						.187
6317A-B-2528	6317A-SS-2528	1/4-28 UNF-2B	.052-.067	1/16	.062						.375
6317B-B-2528	6317B-SS-2528		.084-.099	3/32	.093						.344
6317C-B-2528	6317C-SS-2528		.109-.140	1/8	.125	7/16	.356	.295	.2990	1/2	.312
6317D-B-2528	6317D-SS-2528		.171-.203	3/16	.187						.250
6317E-B-2528	6317E-SS-2528		.234-.265	1/4	.250						.187
*	*6318A-SS-3124	5/16-24 UNF-2B	.052-.067	1/16	.062						.375
	*6318B-SS-3124		.084-.099	3/32	.093						.344
	*6318C-SS-3124		.109-.140	1/8	.125	7/16	.404	.343	.3030	1/2	.312
	*6318D-SS-3124		.171-.203	3/16	.187						.250
	*6318E-SS-3124		.234-.265	1/4	.250						.187

\*Part No. 6318 Available on special order. For other materials refer to CODE Page 66. Price on application.

TABLE 22 "Y" DIMENSION (TOL ±.016)

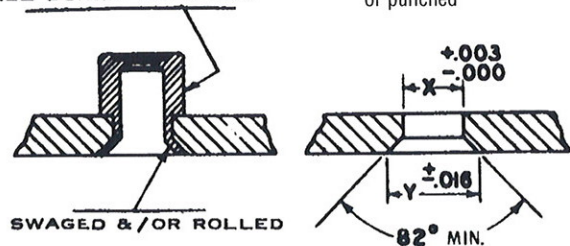
SHANK DIA "C"	.188	.218	.270	.356	.404
X DIA.	.191	.221	.272	.359	.407
Y DIA.	.252	.282	.333	.420	.468

RULE OF THUMB FOR "Y" COUNTERSINK  
 $Y = X + .045 \text{ Min}$   
 or  $.078 \text{ Max.}$

## METHOD OF INSTALLATION

NOTES: • 1-X Dim. per Table 22  
 • 2-X Hole to be drilled or punched

PANEL SCREW RETAINER



SWAGED &/OR ROLLED

82° MIN.

5 Pasco Hill Road • Cromwell, CT 06416-1093  
 Phone: 860-828-0847 • Call Toll Free: 800-243-6032 • Fax: 860-828-0381  
 Web Address: <http://www.amatom.com> • E-Mail: [sales@amatom.com](mailto:sales@amatom.com)

## PANEL SCREW RETAINER

(INSERT-SCREW THREAD-PANEL) Per FSC-5340-411

**Type 3:** These panel retainers are designed to be used with type 3 captive screws as listed on pages 72 and 73.

- Material**
- SS-Corrosive Resisting Steel (Stainless Steel): ASTM A581-75 thru 1/2 O.D. over 1/2 AMS-5762.
  - B-Brass: QQ-B-626 Comp. 22 1/2 Hard.

**Standard** • For Corrosive Resisting Steel (SS): Passivate per QQ-P-35.

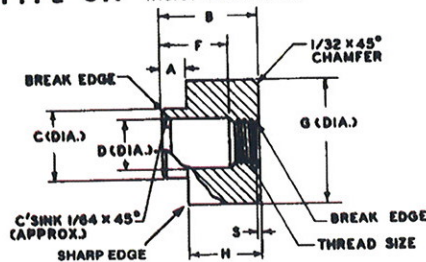
**Finish** • For Brass (B): Nickel Plate per QQ-N-290 Grade G.

**Threads** • UNC-2B and UNF-2B per National Bureau of Standards Handbook H28 titled "Screw-Thread Standards for Federal Services."

**Workmanship** • To high precision standards.

**Quality Control** • To MIL-STD-105. Made for use on Government Equipment.

### TYPE 3A (Refer to Table 27)



- NOTES:**
- Available in other materials on special order. Price on application.
  - Any similar type captive panel retainer in any increment of body or thread size is available on special order. Price on application.

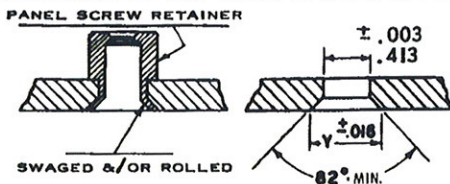
**TABLE 26**

CODE FOR SHANK LENGTH (A DIM.)

CODE	LENGTH OF SHANK	PANEL THICKNESS
A	—	.052-.067
B	—	.084-.099
C	.165	.109-.140
D	.230	.171-.203
E	.290	.234-.265

NOTE: For special shank lengths contact Amatom sales office for part numbers.

## METHOD OF INSTALLATION



NOTES: Panel Hole - .413 Dim. to be drilled or punched. (See Table 26A for "Y" Dim.)

**TABLE 26A**

SHANK DIA "C"	.407
X DIA.	.413
Y DIA.	.468

**TABLE 27 - Type 3A**

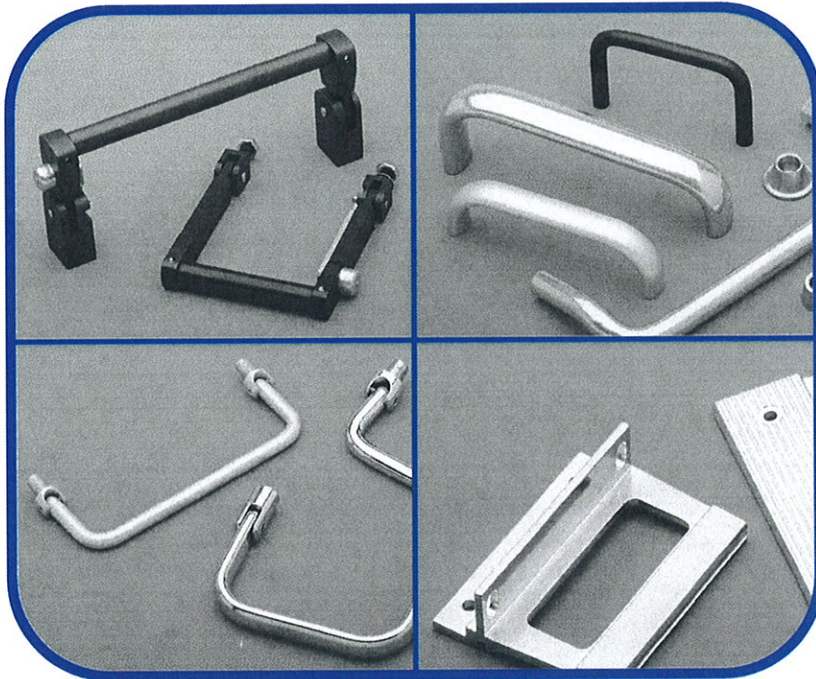
PART NO./MATERIAL		THREAD SIZE	PANEL THICKNESS RANGE	NOMINAL PANEL SIZE	A ±.005	B REF. ±.010	C +.000 - .003	D ±.005	F ±.005	G ±.003	H ±.005
BRASS (B)	CRES (SS)										
6320C-B-0632	6320C-SS-0632	6-32 UNC-2B	.109-.140	1/8	.165	.477	13/32	11/32	.2280	9/16	.312
6320D-B-0632	6320D-SS-0632		.171-.203	3/16	.230	.542			.2930		
6320E-B-0632	6320E-SS-0632		.234-.265	1/4	.290	.602			.3530		
6321C-B-0832	6321C-SS-0832	8-32 UNC-2B	.109-.140	1/8	.165	.477	13/32	11/32	.2360	9/16	.312
6321D-B-0832	6321D-SS-0832		.171-.203	3/16	.230	.542			.3010		
6321E-B-0832	6321E-SS-0832		.234-.265	1/4	.290	.602			.3610		
6322C-B-1032	6322C-SS-1032	10-32 UNF-2B	.109-.140	1/8	.165	.477	13/32	11/32	.2440	9/16	.312
6322D-B-1032	6322D-SS-1032		.171-.203	3/16	.230	.542			.3090		
6322E-B-1032	6322E-SS-1032		.234-.265	1/4	.290	.602			.3690		
6323C-B-1224	6323C-SS-1224	12-24 UNC-2B	.109-.140	1/8	.165	.477	13/32	11/32	.2520	9/16	.312
6323D-B-1224	6323D-SS-1224		.171-.203	3/16	.230	.542			.3170		
6323E-B-1224	6323E-SS-1224		.234-.265	1/4	.290	.602			.3770		
6324C-B-2520	6324C-SS-2520	1/4-20 UNC-2B	.109-.140	1/8	.165	.477	13/32	11/32	.2620	9/16	.312
6324D-B-2520	6324D-SS-2520		.171-.203	3/16	.230	.542			.3270		
6324E-B-2520	6324E-SS-2520		.234-.265	1/4	.290	.602			.3870		

5 Pasco Hill Road • Cromwell, CT 06416-1093

Phone: 860-828-0847 • Call Toll Free: 800-243-6032 • Fax: 860-828-0381

Web Address: <http://www.amatom.com> • E-Mail: [sales@amatom.com](mailto:sales@amatom.com)

# AMATOM®



**RACK HANDLES  
FERRULES  
CONTEMPORARY HANDLES  
HIGH-TECH HANDLES  
POSITIVE LOCKING HANDLES**

**ELECTRONIC HARDWARE  
REFERENCE MANUAL**

*Call Toll Free*

From anywhere in the USA Call Cromwell, CT **1-800-243-6032**

**AMATOM ELECTRONIC HARDWARE**

5 Pasco Hill Road  
Cromwell, CT 06416-1093

860-828-0847

Fax: 860-828-0381

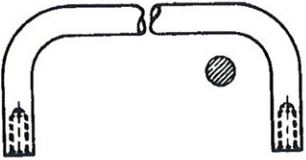
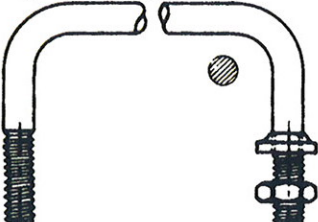
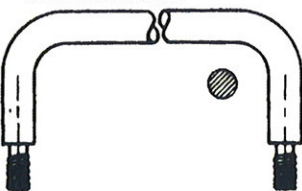

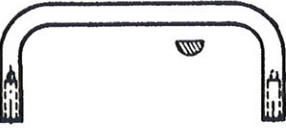
E-Mail: [sales@amatom.com](mailto:sales@amatom.com)

Web Address: <http://www.amatom.com>

**HANDLES AND FERRULES**

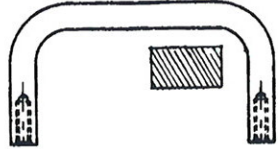
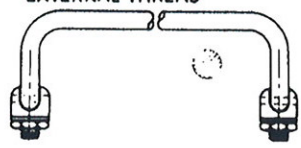
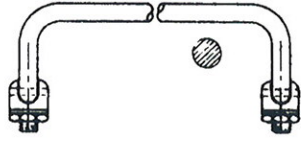


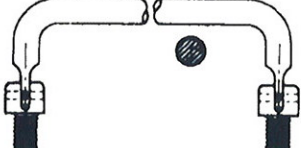
This section on Rack Handles and Ferrules includes the following listed categories of styles, types, mounting centers, heights, threads and materials.

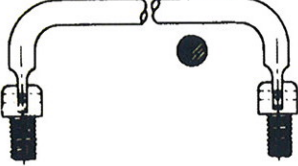



### RACK HANDLES

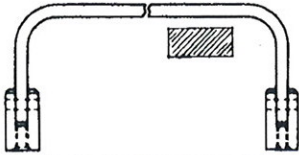
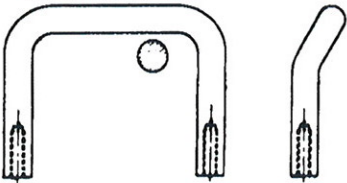



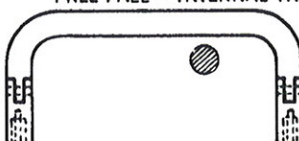
Style	Diameter or Material		Height	Mounting Centers	Material	Threads
	Page	Size				
<b>ROUND - INTERNAL THREAD</b> 	104	1/8	1/2" to 2"	3/4" to 3"	A-B-S-SS	2/56
	105	5/32	3/4" to 1"	1" to 3"	A-B-S-SS	2/56 - 4/40
	106	3/16	5/8" to 1-1/2"	1" to 5"	A-B-S-SS	4/40 - 6/32
	107	1/4	1" to 4-1/4"	1-1/8" to 8"	A-B-S-SS	6/32 - 8/32
	108-109	5/16	1" to 7"	2" to 12"	A-B-S-SS	8/32 - 10/32
	110-111	3/8	1-5/16" to 4"	2" to 12"	A-B-S-SS	10/32 - 1/4-20
112	1/2	2"	4" to 10"	A-B-S-SS	10/32 - 1/4-20 5/16-18	
<b>ROUND - EXTERNAL THREAD NO SHOULDER</b> 	113	5/16	2-1/8"	3" to 9"	A-B-S-SS	5/16-18
	114	3/8	2-1/8"	3" to 9"	A-B-S-SS	3/8-24
Ferrules and Nuts are Supplied						
<b>ROUND - EXTERNAL THREAD WITH SHOULDER</b> 	115	3/16	1" to 2"	2" to 6"	A-B-S-SS	4/40 - 6/32
	116	1/4	1" to 2"	2" to 6"	A-B-S-SS	8/32 - 10/32
	117	5/16	1-13/16" to 2-1/4"	2" to 9"	A-B-S-SS	10/32 - 1/4-20
Nuts and Washers not Supplied						
<b>HANDLE - OVAL INTERNAL THREAD</b> 	118	7/16 x 9/32	1" to 2"	2" to 12"	A-B-SS	8/32 - 10/24 10/32
	119-120	5/8 x 9/32	1" to 4"	2-1/2" to 12"	A-B-SS	8/32 - 10/24 10/32
	121	5/8 x 3/8	1-9/32" to 3"	2-1/2" to 12"	A-B-SS	8/32 - 10/24 10/32
<b>HALF ROUND INTERNAL THREAD</b> 	122	5/8 x 5/16	1-9/32" to 2"	3" to 9"	A-B	10/24 - 10/32

5 Pasco Hill Road • Cromwell, CT 06416-1093  
 Phone: 860-828-0847 • Call Toll Free: 800-243-6032 • Fax: 860-828-0381  
 Web Address: <http://www.amatom.com> • E-Mail: [sales@amatom.com](mailto:sales@amatom.com)



Page	Diameter or Material Size	Height	Mounting Centers	Material	Threads	Style
123	1/2 x 3/16	1-1/2" to 2"	2" to 10"	Alum	4/40 - 6/32	<b>RECTANGULAR INTERNAL THREAD</b> 
124	1/2 x 1/4	1-1/2" to 2"	2" to 10"	A-B	6/32 - 8/32	
125	1/2 x 5/16	1" to 2"	2" to 10"	A-B	8/32 - 10/32	
126	5/8 x 1/4	1" to 4"	2" to 10"	A-B	6/32 - 8/32	
127	1 x 1/4	1" to 4"	2" to 10"	A-B	6/32 - 8/32	
128	1/4	1.46"	3" to 6"	A-B-SS-S	1/4-28 - 5/16-24	<b>ROUND - 90° FREE FALL EXTERNAL THREAD</b> 
129	5/16	1.53" to 1.81"	3" to 6"	A-B-SS-S	5/16-24 - 3/8-24	
130	3/8	1.53" to 1.85"	3" to 6"	A-B-SS-S	5/16-24 - 3/8-24	
Nuts and Washers are Supplied						
131	1/4	1.46"	3" to 6"	A-B-SS-S	1/4-28 - 5/16-24	<b>ROUND - 180° FREE FALL EXTERNAL THREAD</b> 
132	5/16	1.53" to 1.81"	3" to 6"	A-B-SS-S	5/16-24 - 3/8-24	
Nuts and Washers are Supplied						
133	1/4	1.46"	3" to 9"	A-B-SS-S	1/4-28 - 5/16-24	<b>ROUND - 90° INFINITE POS. FOLDING HANDLE EXTERNAL THREAD</b> 
134	5/16	1.62"	3" to 9"	A-B-SS-S	5/16-24 - 3/8-24	
135	3/8	1.81"	3" to 9"	A-B-SS-S	5/16-24 - 3/8-24	
NOTE: 1/4 OD Handle with 7/16" OD Ferrule, Washers and Nuts Supplied 5/16 OD Handle with 9/16" OD Ferrule, Washers and Nuts Supplied 3/8 OD Handle with 5/8" OD Ferrule, Washers and Nuts Supplied						
136	1/4	1.46"	3" to 9"	A-B-SS-S	1/4-28 - 5/16-24	<b>ROUND - 180° INFINITE POS. FOLDING HANDLE EXTERNAL THREAD</b> 
137	5/16	1.62"	3" to 9"	A-B-SS-S	5/16-24 - 3/8-24	
138	3/8	1.81"	3" to 9"	A-B-SS-S	5/16-24 - 3/8-24	
NOTE: 1/4 OD Handle with 7/16" OD Ferrule, Washers and Nuts Supplied 5/16 OD Handle with 9/16" OD Ferrule, Washers and Nuts Supplied 3/8 OD Handle with 5/8" OD Ferrule, Washers and Nuts Supplied						
139	1/4	1.43" to 1.46"	3" to 9"	A-B-SS-S	1/4-28 - 5/16-24	<b>ROUND - 90° FOLDING 2 POS. EXTERNAL THREAD</b> 
140	5/16	1.53" to 1.84"	3" to 9"	A-B-SS-S	5/16-24 - 3/8-24	
141	3/8	1.53" to 2.37"	3" to 9"	A-B-SS-S	5/16-24 - 3/8-24	
Nuts and Washers are Supplied						

Style	Page	Diameter or Material Size	Height	Mounting Centers	Material	Threads
<b>ROUND - 180° FOLDING</b> <b>3 POS. EXTERNAL THREAD</b> 	142	1/4	1.43" to 1.46"	3" to 8"	A-B-SS-S	1/4-28 - 5/16-24
	143	5/16	1.43" to 1.85"	3" to 8"	A-B-SS-S	1/4-28 - 3/8-24
	144	3/8	1.53" to 2.37"	3" to 8"	A-B-SS-S	5/16-24 - 3/8-24
	Nuts and Washers are Supplied					
<b>OVAL - 90° FOLDING</b> <b>2 POS. EXTERNAL THREAD</b> 	145	7/16 x 9/32	1.695" to 2-1/8"	3" to 8"	A-B-SS	5/16-24 - 3/8-24
	146	5/8 x 9/32	1.695" to 2-1/8"	3" to 8"	A-B-SS	5/16-24 - 3/8-24
	147	5/8 x 3/8	1.695" to 2-1/8"	3" to 8"	A-B	5/16-24 - 3/8-24
	Nuts and Washers are Supplied					
<b>OVAL - 180° FOLDING</b> <b>3 POS. EXTERNAL THREAD</b> 	148	7/16 x 9/32	1.695" to 2-1/8"	3" to 8"	A-B-SS	5/16-24 - 3/8-24
	149	5/8 x 9/32	1.695" to 2-1/8"	3" to 8"	A-B-SS	5/16-24 - 3/8-24
	150	5/8 x 3/8	1.695" to 2-1/8"	3" to 8"	A-B	5/16-24 - 3/8-24
	Nuts and Washers are Supplied					
<b>OVAL - 180° FOLDING</b> <b>INFINITE POS.</b> <b>INTERNAL THREAD</b> 	151	7/16 x 9/32	2" to 3"	2" to 8"	A-B-SS	8/32 - 10/32
	152	5/8 x 9/32	2" to 3"	2" to 8"	A-B-SS	8/32 - 10/32
	153	5/8 x 3/8	2" to 3"	2" to 8"	A-B	8/32 - 10/32

Page	Diameter or Material Size	Height	Mounting Centers	Material	Threads	Style
154	1/2 x 3/16	1-1/2" to 2-1/2"	3" to 10"	A-B	8/32 - 10/32	RECTANGULAR - 180° FOLDING INFINITE POS. INTERNAL THREAD 
155	3/16	1" to 1-1/2"	2" to 6"	A-B-SS-S	4/40 - 6/32	ROUND - OFFSET INTERNAL THREAD 
156	1/4	1" to 2"	2" to 6"	A-B-SS-S	6/32 - 8/32	
157	5/16	1-5/16" to 2-1/2"	2" to 10"	A-B-SS-S	8/32 - 10/32	
158	3/8	1-3/4" to 2-1/2"	3" to 10"	A-B-SS-S	8/32 - 10/32	
NOTE: External Thread available on special order						
159	7/16 x 9/32	1-1/2" to 2"	3" to 10"	A-B-SS	10/24 - 10/32	OVAL - SLANTED INTERNAL THREAD 
160	5/8 x 9/32	1-1/2" to 2"	3" to 10"	A-B-SS	10/24 - 10/32	
161	5/8 x 3/8	1-1/2" to 2"	3" to 10"	A-B	10/24 - 10/32	
NOTE: Stainless Steel - Special order only						
162	5/16	1-1/2" to 2"	3" to 7"	A-B-SS	8/32 - 10/32	ROUND - SLANTED 
163	3/8	1-1/2" to 2"	3" to 7"	A-B-SS	8/32 - 10/32	
164	17/32 x 9/32	3/4" to 1-7/8"	2" to 14-3/4"	Alum	8/32 - 10/32	BAR EXTRUSION ANODIZED ALUM. INSERT 
165	17/32 x 9/32	1" to 1-1/8"	2" to 14-3/4"	Alum	8/32 - 10/32	
166	17/32 x 9/32	1-3/16" to 1-7/16"	2" to 14-3/4"	Alum	8/32 - 10/32	
167	5/16	2"	3" to 7"	A-B-SS-S	8/32 - 10/32	ROUND - 90° FOLDING FREE FALL - INTERNAL THD 
168	3/8	2"	3" to 7"	A-B-SS-S	8/32 - 10/32	

## CONTEMPORARY HANDLES

**Style 1  
Rack Mount Handle**

ALUMINUM PAGE 173

**Style 2  
Extruded Grip Handle**

ALUMINUM PAGE 173

**Style 3**

**Style 4**

**Style 5**

ALUMINUM PAGE 174

**POSITIVE LOCKING FOLDING HANDLES**



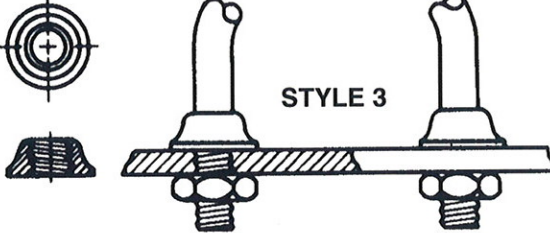


ALUMINUM PAGE 177-178

**HIGH-TECH HANDLES**

ALUMINUM PAGE 175

5 Pasco Hill Road • Cromwell, CT 06416-1093  
 Phone: 860-828-0847 • Call Toll Free: 800-243-6032 • Fax: 860-828-0381  
 Web Address: <http://www.amatom.com> • E-Mail: [sales@amatom.com](mailto:sales@amatom.com)

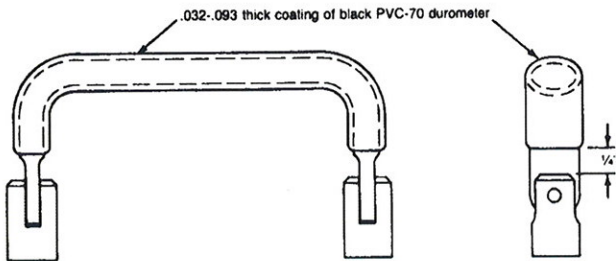
Ferrules are made in five different styles, in aluminum, brass, steel and stainless steel. The following chart will show the style ferrule that is available for various style handles (normally stocked.) Special ferrules to your design made on special order only - price on application.

Page	Handle Diameter	Ferrule Diameter	Material	Finish	Style
169	5/16	3/4	A-B-SS-S	See Chart E Page 102	 <p>STYLE 1</p>
169	1/4 5/16 3/8	5/8 3/4 3/4	A-B-SS-S A-B-SS-S A-B-SS-S	See Chart E Page 102	 <p>STYLE 2</p>
169	5/16-18 3/8-24	5/8 3/4	A-B-SS-S A-B-SS-S	See Chart E Page 102	 <p>STYLE 3</p>
170	1/8 5/32 3/16 1/4 1/4 1/4 5/16 5/16 3/8 1/2	1/4 1/4 5/16 3/8 7/16 1/2 15/32 9/16 5/8 3/4	A-B-SS-S A-B-SS-S A-B-SS-S A-B-SS-S A-B-SS-S A-B-SS-S A-B-SS-S A-B-SS-S A-B-SS-S A-B-SS-S	See Chart E Page 102	 <p>STYLE 4</p>
170	5/16 3/8 1/2	9/16 5/8 3/4	A-B-SS-S A-B-SS-S A-B-SS-S	See Chart E Page 102	 <p>STYLE 5</p>

### PVC COATED GRIP

Amatom can now supply a black plastisol coating (PVC) on handles for a comfortable grip – especially for heavy equipment. It is a seamless, heavy duty, resilient, heat-fused coating. 70 Shore A durometer; heat resistance of 75°C constant; di-electric of 300 volts/mil with good weatherability and exceeds military specifications of Mil-P-20689A

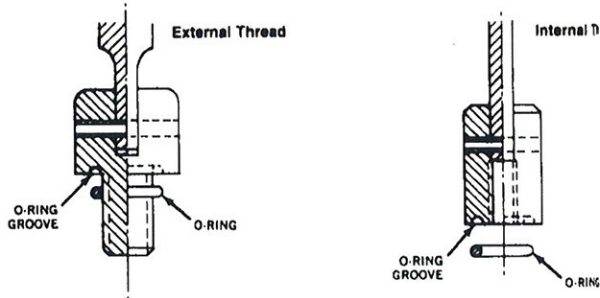
Finish Code 38a - 1/16" total coating added to diameter – 1/32" per side  
 38b - 1/8" total coating added to diameter – 1/16" per side  
 38c - 3/16" total coating added to diameter – 3/32" per side



### O-RINGS

Amatom can supply an O-ring for sealing for all internal and external thread folding handles. Catalog pages 128-150.

O-rings are Nitrile (Buna N) per Mil-P-25732 and conform to MS-28775.



For an Amatom listed handle size – select part number that you need and add "Modified O-ring" to number. For sizes not listed, send in print and we will quote to your print.

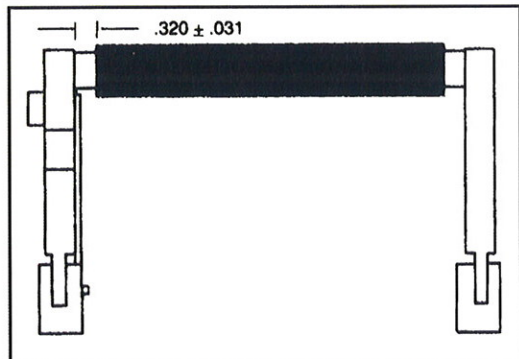
NOTE: Not all folding handles can be modified for O-rings. Consult with factory before selecting handle part number.

### OPTIONAL NEOPRENE GRIPS

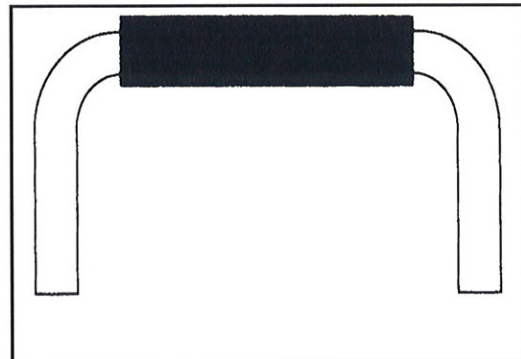
Optional neoprene grips may be specified with any of above handle families by adding the code listed in the chart after the part number and before the finish code.  
 EXAMPLES: 80428-2N  
 80461-3N

CODE	FOR HANDLE STOCK	NEOPRENE
2N	1/2"	3/4"
3N	1/2"	1"
TOL + 1/31"		

NOTE: Grip length is determined by the length of the handle. Grip will end at the beginning of the radius of the bend.  
 Tolerance on grip length is ± .031.



Available for all Standard, Compact and Low Profile Locking handles.



Available for 1/2" Round Handles only.



# Part Number Code and Specifications

## TOLERANCES

<b>MACHINING TOLERANCES</b>		
Decimals ± .005	H = ±1/32	Angles ±1°
	L = ±1/64	
<b>FABRICATING TOLERANCES – "H" &amp; "L" dimensions</b>		
	+3/64	Angles ±3°
	-1/32	

The dimensions as listed in this manual are functional. Amatom's hardware is inspected Per Mil-STD-105 during production and rechecked before shipment. Amatom reserves the right to make adjustments in dimensions and specifications at any time without notice. Customer's inspection should be determined primarily on functionality.

## DEPTH OF THREAD

Recommended Blind Hole Thread  
Per Handbook H-28 (Part 1)  
Screwthread Standards (Federal)

**Chart A**

Material	Code Letter	Material Specifications
Brass	B	Alloy 353 ASTM B16
Aluminum	A	<sup>1</sup> QQ-A-225/3 (2011-T3) QQ-A-200/8 QQ-A-225/6 (2024-T4) <sup>2</sup> QQ-A-225/8 (6061-T6) QQ-A-200/9 (6063-T5)-6005-T5
Stainless Steel Non-Magnetic	SS	203 (XM-1) ASTM A582 <sup>2</sup> 304 QQ-S-763 comp 304
Steel	S	QQ-S-637

**Notes:**

1. Depending upon application.
2. Oval handles

**Chart B**

Thread Size	Screw Engagement	Thread Size	Screw Engagement
0-80	3/16	12-24	9/16
2-56	3/16	1/4-20	9/16
3-48	1/4	1/4-28	9/16
4-40	1/4	5/16-18	9/16
6-32	3/8	3/8-16	9/16
8-32	7/16	3/8-32	9/16
10-24	9/16	7/16-20	9/16
10-32	9/16	1/2-20	5/8

**NOTE:** For all handles with 10-24 and larger threads and for oval and rectangular handles with 8-32 and larger threads, depth of thread will be 5/16 minimum, when height of leg is 1" and under. Charts will be noted.

## THREAD CODE

Per handbook H-28 (Part 1) Screw Thread Standards (Federal)  
Thread code is the 4 digit number assigned to the part number to designate the thread size of the part. All threads are Class 2A and 2B (commercial).

**Chart C**

Thread Size	AMATOM Thread Code	Thread Size	AMATOM Thread Code	Thread Size	AMATOM Thread Code
0-80	0080	5-44	0544	1/4-32	2532
1-64	0164	6-32	0632	5/16-18	3118
1-72	0172	6-40	0640	5/16-24	3124
2-56	0256	8-32	0832	3/8-16	3716
2-64	0264	8-36	0836	3/8-24	3724
3-48	0348	10-24	1024	3/8-32	3732
3-56	0356	10-32	1032	7/16-14	4314
4-40	0440	12-24	1224	7/16-20	4320
4-48	0448	1/4-20	2520	1/2-13	5013
5-40	0540	1/4-28	2528	1/2-20	5020

Note: For special threads, contact Amatom Sales office for number.

## PERCENTAGE OF THREAD

**Chart D**

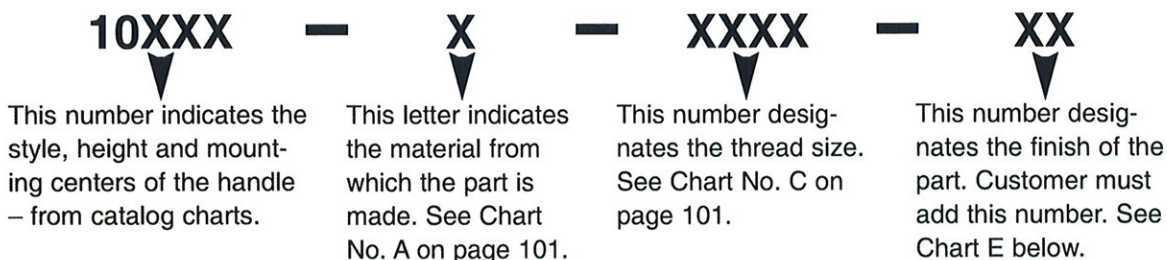
SCREW THREAD SIZE	% OF THREAD ALLOWABLE	
	ROLL OR COLD FORM TAP	CUT TAP
2	55	56
4	55	57
6	55	66
8	55	58
10	55	59
12	55	63
1/4	55	67

Note: Parts will be made by both methods and are interchangeable, unless customer specifically requests otherwise.

**5 Pasco Hill Road • Cromwell, CT 06416-1093**  
**Phone: 860-828-0847 • Call Toll Free: 800-243-6032 • Fax: 860-828-0381**  
**Web Address: <http://www.amatom.com> • E-Mail: [sales@amatom.com](mailto:sales@amatom.com)**

**HANDLES**

### PLEASE READ THIS CAREFULLY EXPLANATION OF AMATOM PART NUMBERS



### FINISHES AVAILABLE CHART E

0	No Finish	9	Caustic Etch and Lacquer
1B	Anodize-Mil-A-8625 Type 2 (Sulphuric) Hot Water Seal (Clear)	10	Alodine 1200
1C	Anodize-Mil-A-8625 Type 2 (Sulphuric) Dichromate Seal (Yellow/Green)	16	Iridite-Clear-Mil-C-5541
2	Anodize-Mil-A-8625 Black	17	Iridite-Gold-Mil-C-5541
2A	Brushed Satin Finish	25	Chromium Plate (Bright Finish) QQ-C-320 Class I Type I
2B	Satin Finish Clear Anodized	25A	Chromium Plate (Satin Finish) QQ-C-320 Class I Type II
2C	Satin Finish Black Anodized	35	Anodize Mil-A-8625 Black High Lustre
2E	Brushed Satin Finish Clear Anodized	*36	Electro static applied Black Epoxy Finish
2F	Brushed Satin Finish Black Anodized	38	Black Plastisol (PVC) Coating 70 Shore A exceeds Mil-P-20689A
4	Nickel Plate QQN-290 A Grade G (MS Handles Grade E)	38A	1/16" total added to diameter of material 1/32" per side
4A	Polished and Nickel Plate	38B	1/8" total added to diameter of material 1/16" per side
6A	Brass Ebonal "C" (Black) Mil-F-495E	38C	3/16" total added to diameter of material 3/32" per side
6B	Stainless Steel "Black Oxide" Mil-C-13924		
7	Passivate-QQ-P-35		
8	Caustic Etch		

\*Finish 36 can be supplied in colors – special order only.

See page 103 for additional Information.

5 Pasco Hill Road • Cromwell, CT 06416-1093  
 Phone: 860-828-0847 • Call Toll Free: 800-243-6032 • Fax: 860-828-0381  
 Web Address: <http://www.amatom.com> • E-Mail: [sales@amatom.com](mailto:sales@amatom.com)





# COLORS

**BLACK - RED - BLUE - GREEN  
YELLOW - BROWN - CREAM - GREY  
WHITE – Plus Many More\***

**Gloss • Semi-Gloss • Satin • Matte**  
*\*Other colors available on request.*

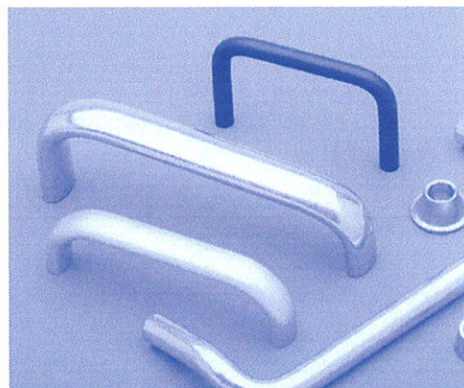
## EPOXY ADVANTAGES

- **Hardness**
- **Corrosion Resistant**
- **Resists Humidity and Salt Spray**
- **Color Retention**
- **Oxidation Protection**
- **Resists Melting Under High Temperatures**
- **Color Match to Cabinets or Panels**
- **Electrostatically Applied**

**Contact Amatom  
Sales Office  
For Your Updated  
Powder Coat Chart**

## TYPICAL SPECIFICATIONS AND PROPERTIES

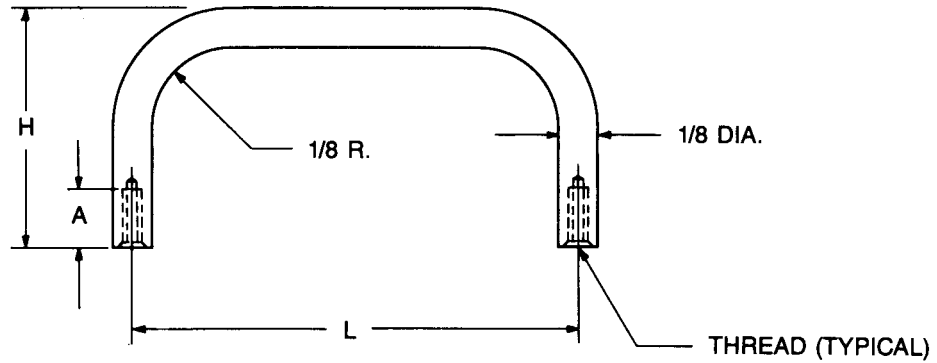
Handle material	Aluminum, brass, steel or stainless steel
Application of epoxy	Electrostatically applied
Cross hatch adhesion ASTM D2571	100% pass
Flexibility 1/4" mandrel	180°F
Pencil Hardness	2H-4H
Impact, direct and indirect ASTM G14	100 in. lbs.
Taber abrasion	Lost 1000/cycles
Values range	36 to 95 mg
Humidity (100% at 95° to 100°F) ASTM D2247	500 hours-no change 1000 hours-less than 1.0 mm undercutting from scribe
Salt spray (5% solution at 95° to 100°F) ASTMB117	2000 hours (unscribed)-no effect



The performance characteristics of this chart vary according to application, operating conditions and materials applied. Amatom believes this information to be accurate, but since test methods can vary, their validity cannot be verified. This chart is compiled for information purposes only.

**5 Pasco Hill Road • Cromwell, CT 06416-1093**  
**Phone: 860-828-0847 • Call Toll Free: 800-243-6032 • Fax: 860-828-0381**  
**Web Address: <http://www.amatom.com> • E-Mail: [sales@amatom.com](mailto:sales@amatom.com)**

## 1/8" ROUND HANDLES INTERNAL THREADS



Refer to page 102 for Finish Codes.

PART NO.	L ± 1/64	H ± 1/32
10010	3/4	1/2
10011	13/16	
10012	7/8	
10013	1"	
10014	1-1/4	
10015	1-1/2	
10016	2"	
10020	3/4	3/4
10021	13/16	
10022	7/8	
10023	1"	
10024	1-1/4	
10025	1-1/2	
10026	2"	
10030	1"	1"
10031	1-1/4	
10032	1-1/2	
10033	1-3/4	
10034	2"	

PART NO.	L ± 1/64	H ± 1/32
10038	1"	1-1/4
10039	1-1/4	
10040	1-1/2	
10041	1-3/4	
10042	2"	
10045	1"	1-1/2
10046	1-1/4	
10047	1-1/2	
10048	1-3/4	
10049	2"	
10052	1-1/4	2"
10053	1-1/2	
10054	1-3/4	
10055	2"	
10056	2-1/2	
10057	3"	

**PART NUMBER ORDERING SYSTEM**

**XXXXX - X - XXXX - XX**

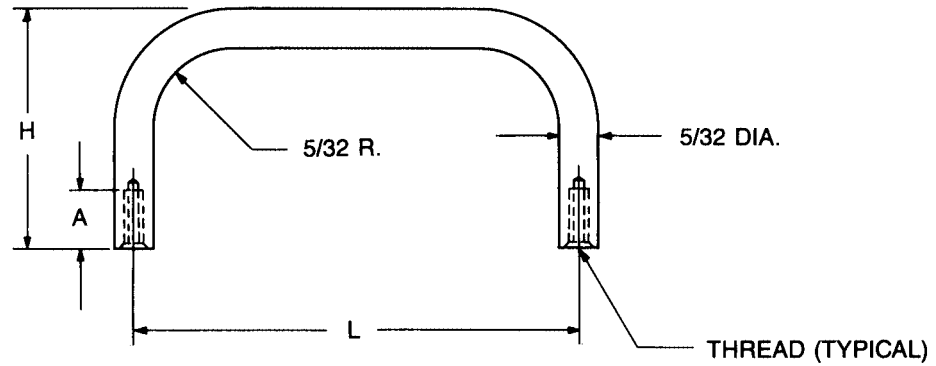
|  
 PART NO. | THREAD |  
 |  
 MATERIAL | FINISH

THREAD CODE & DEPTH		
THREAD	CODE	A
2-56	0256	3/16

MATERIAL	CODE
Aluminum	A
Brass	B
Stainless Steel	SS
Steel	S

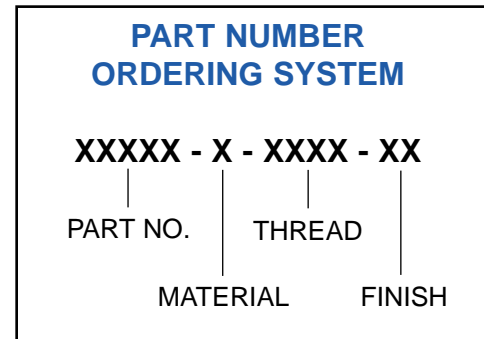
**NOTE:**  
 Metric size dimensions and threads available.  
 Please contact Sales Office.

## 5/32" ROUND HANDLES INTERNAL THREADS



Refer to page 102 for Finish Codes.  
For MS39087 equivalents see page 271.

PART NO.	L ± 1/64	H ± 1/32
10090	1"	3/4
10091	1-1/4	
10092	1-1/2	
10093	2"	
10094	2-1/2	
10095	3"	
10100	1"	1"
10101	1-1/4	
10102	1-1/2	
10103	1-3/4	
10104	2"	
10105	2-1/2	
10106	3"	



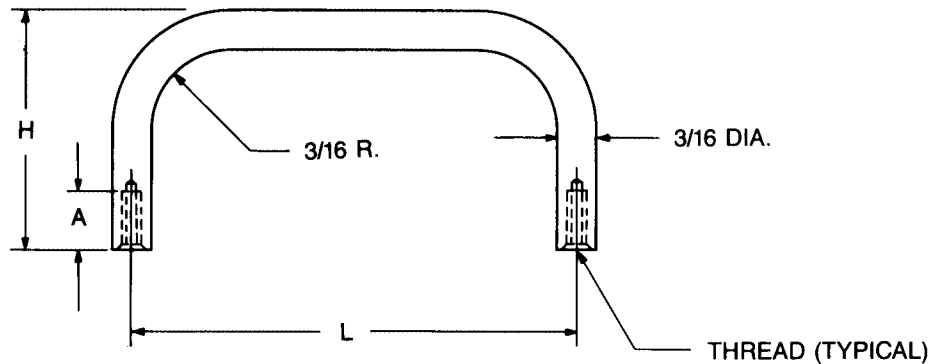
THREAD CODE & DEPTH		
THREAD	CODE	A
2-56	0256	3/16
4-40	0440	1/4-3/8

MATERIAL	CODE
Aluminum	A
Brass	B
Stainless Steel	SS
Steel	S

**NOTE:**  
Metric size dimensions and threads available.  
Please contact Sales Office.

**5 Pasco Hill Road • Cromwell, CT 06416-1093**  
**Phone: 860-828-0847 • Call Toll Free: 800-243-6032 • Fax: 860-828-0381**  
**Web Address: <http://www.amatom.com> • E-Mail: [sales@amatom.com](mailto:sales@amatom.com)**

## 3/16" ROUND HANDLES INTERNAL THREADS



Refer to page 102 for Finish Codes.  
For MS39087 equivalents see page 271.

PART NO.	L ± 1/64	H ± 1/32
10110	1-1/2	5/8
10111	1-3/4	
10112	2"	
10113	3"	
10114	4"	
10115	5"	
10116	5-1/4	
10120	1"	3/4
10121	1-1/4	
10122	1-1/2	
10123	1-3/4	
10124	2"	
10125	3"	
10126	4"	
10127	5"	
10130	1"	7/8
10131	1-1/4	
10132	1-1/2	
10133	1-3/4	
10134	2"	
10135	3"	
10136	4"	
10137	5"	
10140	1"	1"
10141	1-1/4	
10142	1-1/2	
10143	1-3/4	
10144	2"	
10145	3"	
10146	4"	
10147	5"	

PART NO.	L ± 1/64	H ± 1/32
10150	1"	1-1/8
10151	1-1/4	
10152	1-1/2	
10153	1-3/4	
10154	2"	
10155	3"	
10156	4"	
10157	5"	
10160	1"	1-1/4
10161	1-1/4	
10162	1-1/2	
10163	1-3/4	
10164	2"	
10165	3"	
10166	4"	
10167	5"	
10170	1"	1-1/2
10171	1-1/4	
10172	1-1/2	
10173	1-3/4	
10174	2"	
10175	3"	
10176	4"	
10177	5"	

### PART NUMBER ORDERING SYSTEM

XXXXX - X - XXXX - XX

|                      |                      |                      |  
 PART NO.            THREAD                      MATERIAL            FINISH

### THREAD CODE & DEPTH

THREAD	CODE	A
4-40	0440	1/4
6-32	0632	1/4-3/8

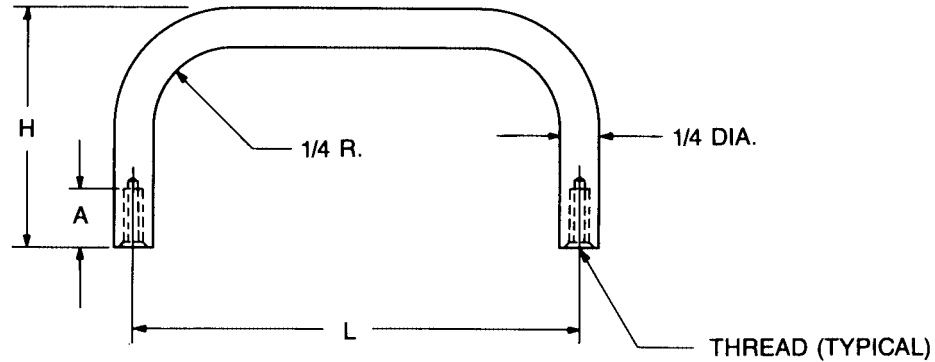
MATERIAL	CODE
Aluminum	A
Brass	B
Stainless Steel	SS
Steel	S

#### NOTE:

Metric size dimensions and threads available.  
Please contact Sales Office.

5 Pasco Hill Road • Cromwell, CT 06416-1093  
 Phone: 860-828-0847 • Call Toll Free: 800-243-6032 • Fax: 860-828-0381  
 Web Address: <http://www.amatom.com> • E-Mail: [sales@amatom.com](mailto:sales@amatom.com)

## 1/4" ROUND HANDLES INTERNAL THREADS



PART NO.	L ± 1/64	H ± 1/32
10200	1-1/8	1"
10201	1-1/4	
10202	1-1/2	
10203	1-3/4	
10204	2"	
10205	2-1/4	
10206	2-1/2	
10207	2-3/4	
10208	3"	
10209	4"	
10210	5"	
10215	1-1/2	1-1/4
10216	1-3/4	
10217	2"	
10218	2-1/4	
10219	2-1/2	
10220	2-3/4	
10221	3"	
10222	4"	
10223	5"	
10225	1-1/2	1-1/2
10226	1-3/4	
10227	2"	
10228	2-1/4	
10229	2-1/2	
10230	2-3/4	
10231	3"	
10232	3-1/2	
10233	4"	
10234	4-1/4	
10235	4-1/2	
10236	5"	
10237	6"	

PART NO.	L ± 1/64	H ± 1/32
10240	3"	2"
10241	4"	
10242	5"	
10243	6"	
10245	3"	2-1/2
10246	4"	
10247	5"	
10248	6"	
10250	3"	2-3/4
10251	4"	
10252	5"	
10253	6"	
10255	3"	3"
10256	4"	
10257	5"	
10258	6"	
10260	3"	3-1/2
10261	4"	
10262	5"	
10263	6"	
10265	4"	4"
10266	5"	
10267	6"	
10270	4"	4-1/4
10271	5"	
10272	6"	
10273	7"	
10274	8"	

Refer to page 102 for Finish Codes.  
For MS39087 equivalents see page 271.

**PART NUMBER ORDERING SYSTEM**

**XXXXX - X - XXXX - XX**

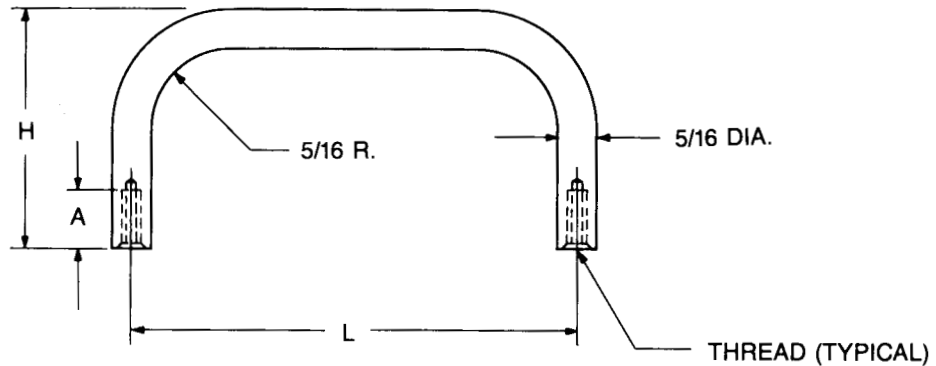
PART NO.	THREAD	FINISH
MATERIAL		FINISH

THREAD CODE & DEPTH		
THREAD	CODE	A
6-32	0632	3/8
8-32	0832	3/8-9/16

MATERIAL	CODE
Aluminum	A
Brass	B
Stainless Steel	SS
Steel	S

**NOTE:**  
Metric size dimensions and threads available.  
Please contact Sales Office.

## 5/16" ROUND HANDLES INTERNAL THREADS



PART NO.	L ± 1/64	H ± 1/32
10300	2"	1"
10301	2-1/2	
10302	3"	
10303	3-1/2	
10304	4"	
10305	4-1/4	
10306	4-1/2	
10307	5"	
10308	6"	
10310	2"	1-1/8
10311	3"	
10312	4"	
10313	4-1/4	
10314	4-9/16	
10315	2"	1-1/4
10316	2-1/2	
10317	3"	
10318	3-1/2	
10319	4"	
10320	2"	1-5/16
10321	2-1/4	
10322	2-1/2	
10323	2-3/4	
10324	2-13/16	
10325	3"	
10326	4"	
10327	4-1/4	
10330	2"	1-3/8
10331	2-1/2	
10332	3"	
10333	4"	
10334	4-1/4	
10335	5"	
10340	2"	1-1/2
10341	2-1/8	
10342	2-1/4	
10343	2-3/8	
10344	2-1/2	
10345	2-3/4	
10346	3"	

PART NO.	L ± 1/64	H ± 1/32
10347	3-1/8	1-1/2
10348	3-1/4	
10349	3-1/2	
10350	4"	
10351	4-1/4	
10352	4-1/2	
10353	4-9/16	
10354	4-5/8	
10355	5"	
10356	5-1/4	
10357	5-1/2	
10358	5-3/4	
10359	6"	
10360	6-7/16	
10361	6-1/2	
10362	7"	
10363	7-1/2	
10364	7-3/4	
10365	8"	
10366	8-1/2	
10367	9"	
10368	9-1/2	
10369	10"	
10375	3"	1-3/4
10376	3-1/2	
10377	4"	
10378	4-1/4	
10379	4-1/2	
10380	4-9/16	
10381	4-5/8	
10382	4-3/4	
10383	5"	
10384	5-1/8	
10385	5-1/4	
10386	5-1/2	
10387	5-3/4	
10388	6"	
10389	6-1/4	
10390	6-7/16	
10391	6-1/2	
10392	6-3/4	

PART NO.	L ± 1/64	H ± 1/32
10393	7"	1-3/4
10394	7-1/4"	
10395	7-1/2"	
10396	7-3/4"	
10397	8"	
10398	9"	
10399	10"	

Continued on next page

Refer to page 102 for Finish Codes.  
For MS39087 equivalents see page 271.

**PART NUMBER ORDERING SYSTEM**

**XXXXX - X - XXXX - XX**

PART NO.      THREAD      MATERIAL      FINISH

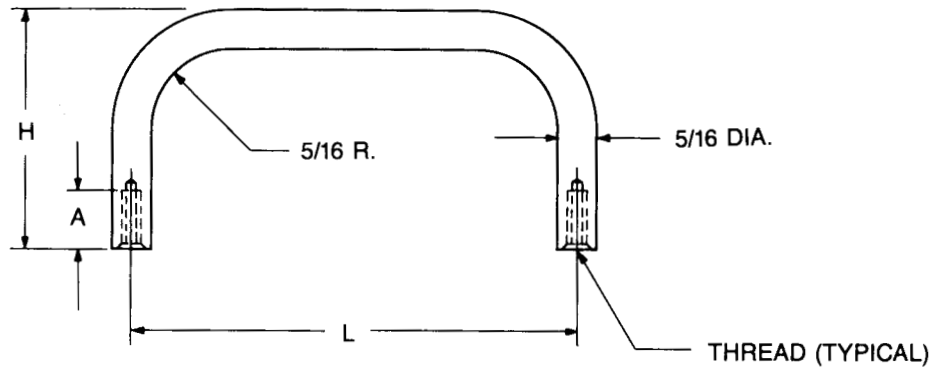
THREAD CODE & DEPTH		
THREAD	CODE	A
8-32	0832	5/16-7/16
10-32	1032	5/16-5/8

MATERIAL	CODE
Aluminum	A
Brass	B
Stainless Steel	SS
Steel	S

**NOTE:**  
Metric size dimensions and threads available. Please contact Sales Office.

**5 Pasco Hill Road • Cromwell, CT 06416-1093**  
**Phone: 860-828-0847 • Call Toll Free: 800-243-6032 • Fax: 860-828-0381**  
**Web Address: <http://www.amatom.com> • E-Mail: [sales@amatom.com](mailto:sales@amatom.com)**

## 5/16" ROUND HANDLES INTERNAL THREADS



Continued from previous page

PART NO.	L ± 1/64	H ± 1/32
10401	3"	1-7/8
10402	3-1/4"	
10403	4"	
10404	4-1/4"	
10405	4-1/2"	
10406	5"	
10407	6"	
10410	3"	2"
10411	4"	
10412	5"	
10413	5-1/2"	
10414	6"	
10415	4"	2-1/4
10416	4-1/4"	
10417	6"	
10418	7"	
10419	8"	
10420	9"	
10421	9-1/4"	
10422	10"	
10425	4"	3"
10426	5"	
10427	5-7/16"	
10428	6"	
10429	6-1/2"	
10430	7"	
10431	7-1/2"	
10432	8"	
10433	9"	
10434	10"	
10435	12"	
10438	3"	3-1/2
10439	4"	
10440	5"	
10441	6"	
10442	7"	
10443	8"	
10444	9"	

PART NO.	L ± 1/64	H ± 1/32
10448	3"	4"
10449	4"	
10450	5"	
10451	6"	
10452	7"	
10453	8"	
10454	9"	
10458	4"	5"
10459	5"	
10460	6"	
10461	7"	
10462	8"	
10463	9"	
10464	10"	
10465	11"	
10466	12"	
10470	4"	6"
10471	5"	
10472	6"	
10473	7"	
10474	8"	
10475	9"	
10476	10"	
10477	11"	
10478	12"	
10480	4"	7"
10481	5"	
10482	6"	
10483	7"	
10484	8"	
10485	9"	
10486	10"	
10487	11"	
10488	12"	

Refer to page 102 for Finish Codes.  
For MS39087 equivalents see page 271.

**PART NUMBER ORDERING SYSTEM**

**XXXXX - X - XXXX - XX**

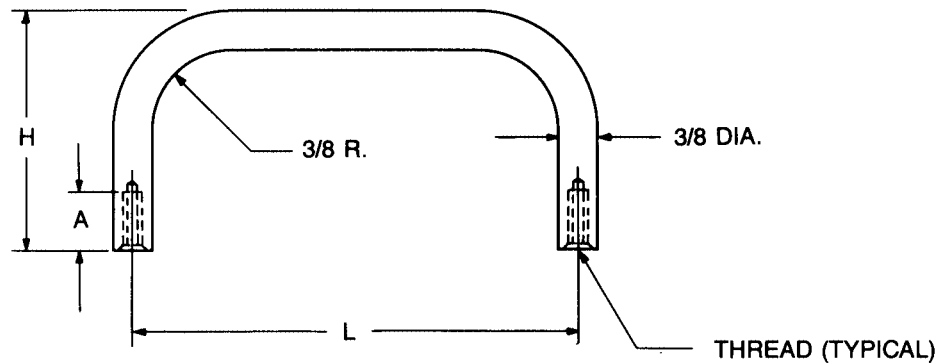
|                      |                      |                      |  
 PART NO.            THREAD                      MATERIAL                      FINISH

THREAD CODE & DEPTH		
THREAD	CODE	A
8-32	0832	5/16-7/16
10-32	1032	5/16-5/8

MATERIAL	CODE
Aluminum	A
Brass	B
Stainless Steel	SS
Steel	S

**NOTE:**  
Metric size dimensions and threads available. Please contact Sales Office.

## 3/8" ROUND HANDLES INTERNAL THREADS



PART NO.	L ± 1/64	H ± 1/32
10495	2"	
10496	3"	
10497	4"	
10498	5"	1-5/16
10499	6"	
10500	7"	
10501	8"	
10505	2-1/2"	
10506	3"	
10507	4"	
10508	4-1/4"	
10509	4-1/2"	
10510	5"	1-1/2
10511	6"	
10512	7"	
10513	8"	
10514	9"	
10515	10"	
10516	11"	
10517	12"	

PART NO.	L ± 1/64	H ± 1/32
10520	2"	
10521	2-1/2"	
10522	3"	
10523	3-1/2"	
10524	4"	
10525	4-1/4"	
10526	4-1/2"	
10527	5"	
10528	5-1/4"	1-3/4
10529	5-1/2"	
10530	5-3/4"	
10531	6"	
10532	6-7/16"	
10533	6-1/2"	
10534	7"	
10535	8"	
10536	9"	
10537	10"	
10538	12"	

Continued on next page

Refer to page 102 for Finish Codes.  
For MS39087 equivalents see page 271.

### PART NUMBER ORDERING SYSTEM

XXXXX - X - XXXX - XX

PART NO.      THREAD

MATERIAL      FINISH

### THREAD CODE & DEPTH

THREAD	CODE	A
8-32	0832	7/16-1/2
10-32	1032	7/16-5/8
1/4-20	2520	3/8-5/8

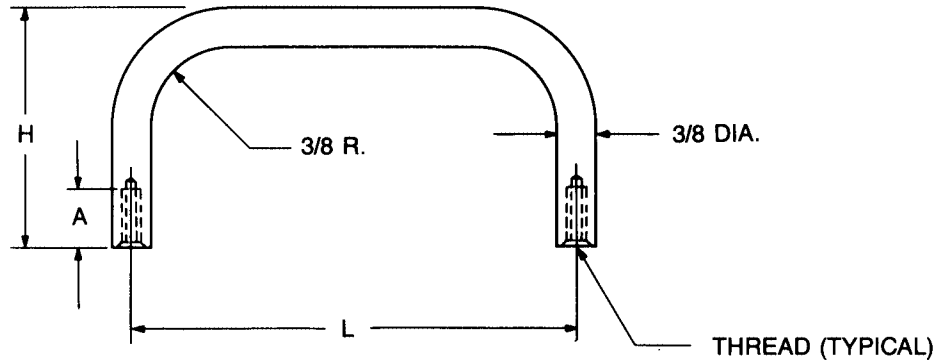
MATERIAL	CODE
Aluminum	A
Brass	B
Stainless Steel	SS
Steel	S

#### NOTE:

Metric size dimensions and threads available.  
Please contact Sales Office.



## 3/8" ROUND HANDLES INTERNAL THREADS



Continued from previous page

PART NO.	L ± 1/64	H ± 1/32
10540	3"	
10541	4"	
10542	4-1/4"	
10543	4-1/2"	
10544	5"	
10545	6"	1-7/8"
10546	6-1/2"	
10547	7"	
10548	8"	
10549	9"	
10550	10"	
10551	12"	
10555	3"	
10556	4"	
10557	4-1/4"	
10558	5"	2"
10559	6"	
10560	7"	
10561	7-1/2"	
10562	8"	
10563	9"	
10564	10"	
10567	3"	
10568	3-1/2"	2-3/8"
10569	4"	
10570	4-1/2"	
10571	5"	
10572	6"	

PART NO.	L ± 1/64	H ± 1/32
10575	3"	
10576	4"	
10577	4-1/4"	
10578	5"	3"
10579	6"	
10580	7"	
10581	7-1/2"	
10582	8"	
10583	9"	
10584	10"	
10588	3"	
10589	4"	
10590	4-1/4"	
10591	5"	4"
10592	6"	
10593	7"	
10594	7-1/2"	
10595	8"	
10596	9"	
10597	10"	

Refer to page 102 for Finish Codes.  
For MS39087 equivalents see page 271.

### PART NUMBER ORDERING SYSTEM

XXXXX - X - XXXX - XX

|                      |                      |  
 PART NO.            THREAD            MATERIAL            FINISH

### THREAD CODE & DEPTH

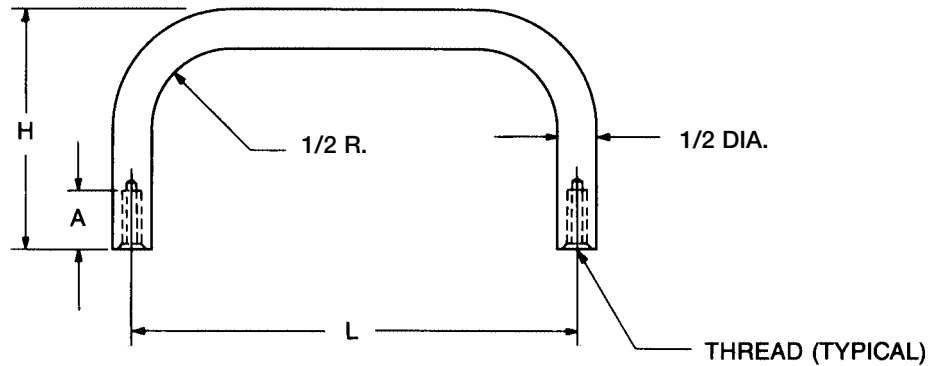
THREAD	CODE	A
8-32	0832	7/16-1/2
10-32	1032	7/16-5/8
1/4-20	2520	3/8-5/8

MATERIAL	CODE
Aluminum	A
Brass	B
Stainless Steel	SS
Steel	S

**NOTE:**

Metric size dimensions and threads available.  
Please contact Sales Office.

## 1/2" ROUND HANDLES INTERNAL THREADS



Refer to page 102 for Finish Codes.

PART NO.	L ± 1/64	H ± 1/32
10615	4"	2"
10616	6"	
10617	8	
10618	10"	

**PART NUMBER ORDERING SYSTEM**

**XXXXX - X - XXXX - XX**

PART NO.	THREAD	FINISH
MATERIAL		

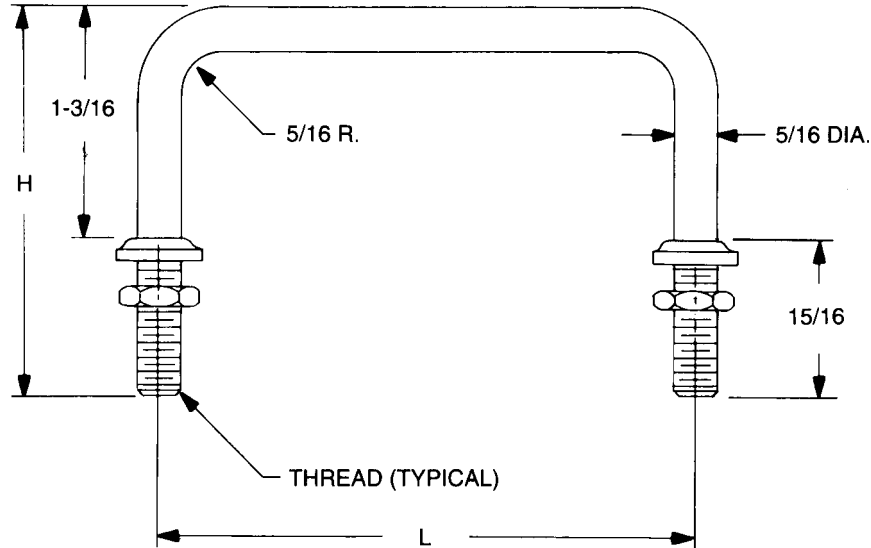
THREAD CODE & DEPTH		
THREAD	CODE	A
10-32	1032	7/16-5/8
1/4-20	2520	3/8-5/8
5/16-18	3118	3/8-5/8

MATERIAL	CODE
Aluminum	A
Brass	B
Stainless Steel	SS
Steel	S

**NOTE:**  
Metric size dimensions and threads available.  
Please contact Sales Office.

**5 Pasco Hill Road • Cromwell, CT 06416-1093**  
**Phone: 860-828-0847 • Call Toll Free: 800-243-6032 • Fax: 860-828-0381**  
**Web Address: <http://www.amatom.com> • E-Mail: [sales@amatom.com](mailto:sales@amatom.com)**

## 5/16" ROUND HANDLES EXTERNAL THREADS - NO SHOULDER



PART NO.  
**16012 Series**  
See Page 102.

Refer to page 102 for Finish Codes.  
Supplied with ferrule and nut. (Bulk Package)

PART NO.	L ± 1/64	H ± 1/32
10645	3"	
10646	3-3/4"	
10647	4"	
10648	4-1/4"	
10649	4-1/2"	2-1/8"
10650	4-9/16"	
10651	5"	
10652	6"	
10653	9"	

**PART NUMBER ORDERING SYSTEM**

**XXXXX - X - XXXX - XX**

PART NO.	THREAD	FINISH
MATERIAL		FINISH

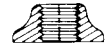
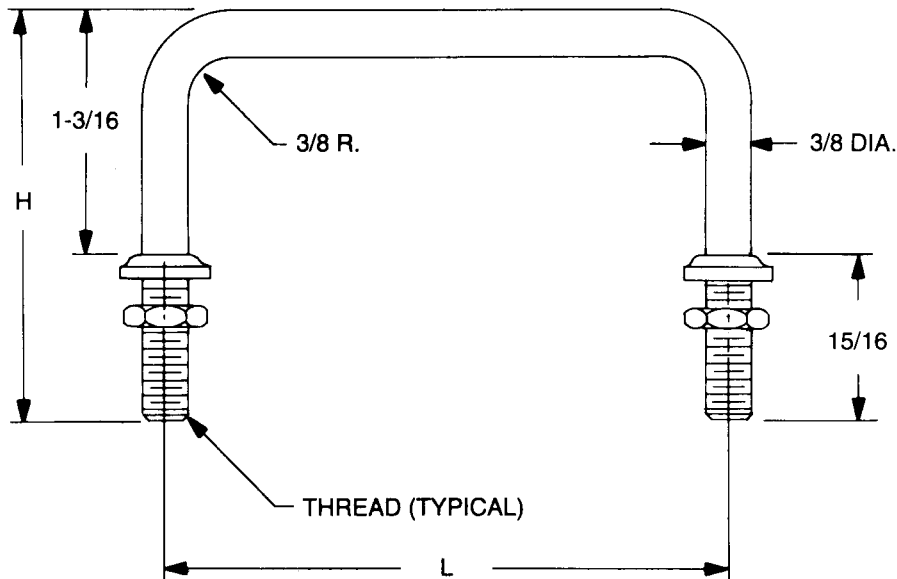
THREAD CODE	
THREAD	CODE
5/16-18	3118

MATERIAL	CODE
Aluminum	A
Brass	B
Stainless Steel	SS
Steel	S

**NOTE:**  
Metric size dimensions and threads available.  
Please contact Sales Office.

**5 Pasco Hill Road • Cromwell, CT 06416-1093**  
**Phone: 860-828-0847 • Call Toll Free: 800-243-6032 • Fax: 860-828-0381**  
**Web Address: <http://www.amatom.com> • E-Mail: [sales@amatom.com](mailto:sales@amatom.com)**

## 3/8" ROUND HANDLES EXTERNAL THREADS - NO SHOULDER



PART NO.  
**16012 Series**  
See Page 169.

Refer to page 102 for Finish Codes.  
Supplied with ferrule and nut. (Bulk Package)

PART NO.	L ± 1/64	H ± 1/32
10660	3"	
10661	3-3/4"	
10662	4"	
10663	4-1/4"	2-1/8"
10664	4-1/2"	
10665	4-9/16"	
10666	5"	
10667	6"	
10668	6"	

**PART NUMBER ORDERING SYSTEM**

**XXXXX - X - XXXX - XX**

PART NO.	THREAD	FINISH
MATERIAL		FINISH

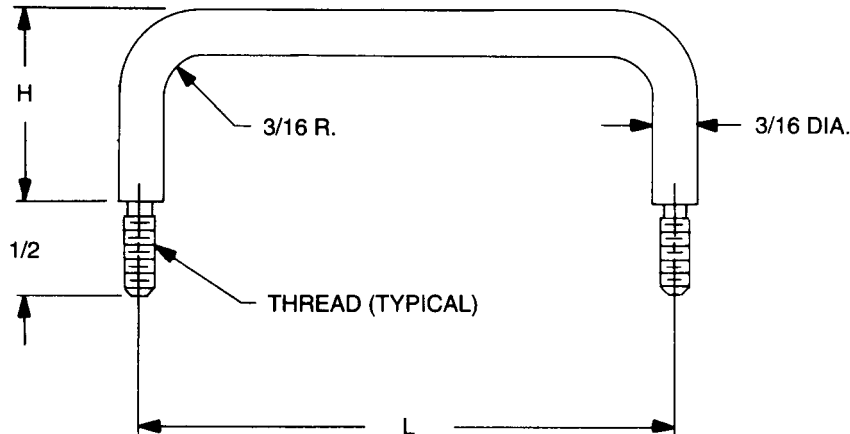
THREAD CODE	
THREAD	CODE
3/8-24	3724

MATERIAL	CODE
Aluminum	A
Brass	B
Stainless Steel	SS
Steel	S

**NOTE:**  
Metric size dimensions and threads available.  
Please contact Sales Office.

**5 Pasco Hill Road • Cromwell, CT 06416-1093**  
**Phone: 860-828-0847 • Call Toll Free: 800-243-6032 • Fax: 860-828-0381**  
**Web Address: <http://www.amatom.com> • E-Mail: [sales@amatom.com](mailto:sales@amatom.com)**

## 3/16" ROUND HANDLES EXTERNAL THREADS - WITH SHOULDER



Refer to page 102 for Finish Codes.  
Nuts and washers not supplied.

PART NO.	L ± 1/64	H ± 1/32
10675	2"	1"
10676	2-1/2"	
10677	3"	
10678	3-1/2"	
10679	4"	
10680	5"	
10681	6"	
10685	2"	1-1/2"
10686	2-1/2"	
10687	3"	
10688	3-1/2"	
10689	4"	
10690	5"	
10691	6"	
10695	2"	2"
10696	2-1/2"	
10697	3"	
10698	3-1/2"	
10699	4"	
10701	5"	
10702	6"	

### PART NUMBER ORDERING SYSTEM

XXXXX - X - XXXX - XX

|  
 PART NO. | THREAD  
 |  
 MATERIAL | FINISH

### THREAD CODE

THREAD	CODE
4-40	0440
6-32	0632

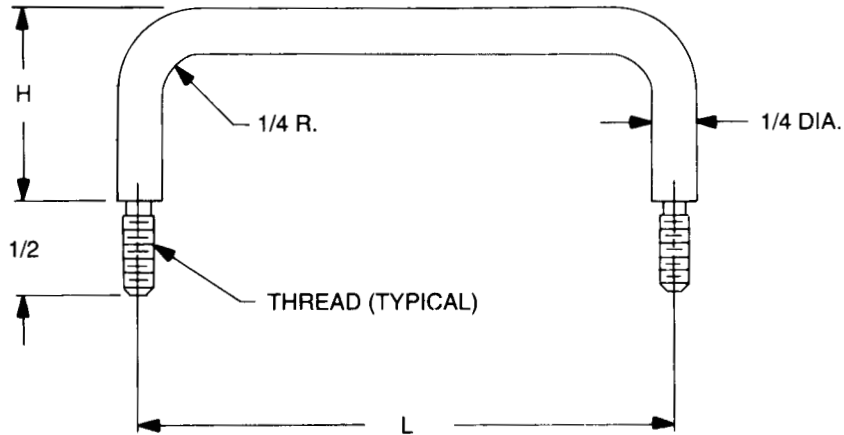
### MATERIAL CODE

MATERIAL	CODE
Aluminum	A
Brass	B
Stainless Steel	SS
Steel	S

**NOTE:**  
Metric size dimensions and threads available.  
Please contact Sales Office.

5 Pasco Hill Road • Cromwell, CT 06416-1093  
Phone: 860-828-0847 • Call Toll Free: 800-243-6032 • Fax: 860-828-0381  
Web Address: <http://www.amatom.com> • E-Mail: [sales@amatom.com](mailto:sales@amatom.com)

## 1/4" ROUND HANDLES EXTERNAL THREADS - WITH SHOULDER



Refer to page 102 for Finish Codes.  
Nuts and washers not supplied.

PART NO.	L ± 1/64	H ± 1/32
10720	2"	1"
10721	2-1/2"	
10722	3"	
10723	3-1/2"	
10724	4"	
10725	5"	
10726	6"	
10730	2"	1-1/2"
10731	2-1/2"	
10732	3"	
10733	3-1/2"	
10734	4"	
10735	5"	
10736	6"	
10740	2"	2"
10741	2-1/2"	
10742	3"	
10743	3-1/2"	
10744	4"	
10745	5"	
10746	6"	

### PART NUMBER ORDERING SYSTEM

XXXXX - X - XXXX - XX

PART NO.      THREAD  
MATERIAL      FINISH

### THREAD CODE

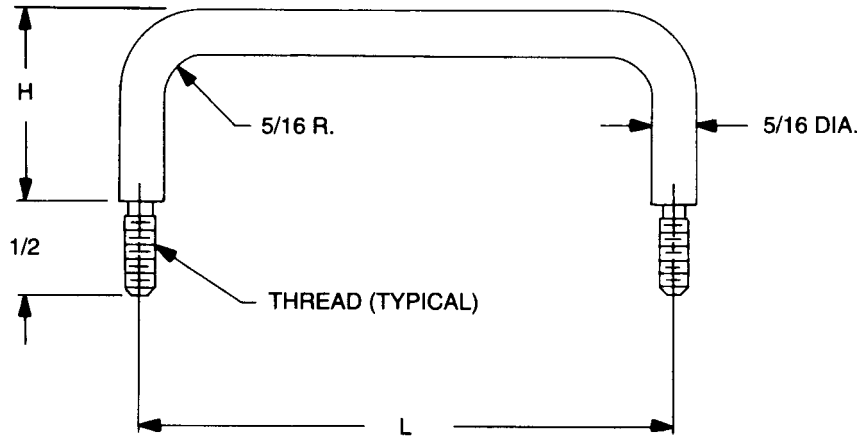
THREAD	CODE
8-32	0832
10-32	1032

MATERIAL	CODE
Aluminum	A
Brass	B
Stainless Steel	SS
Steel	S

**NOTE:**  
Metric size dimensions and threads available.  
Please contact Sales Office.

5 Pasco Hill Road • Cromwell, CT 06416-1093  
Phone: 860-828-0847 • Call Toll Free: 800-243-6032 • Fax: 860-828-0381  
Web Address: <http://www.amatom.com> • E-Mail: [sales@amatom.com](mailto:sales@amatom.com)

## 5/16" ROUND HANDLES EXTERNAL THREADS - WITH SHOULDER



Refer to page 102 for Finish Codes.  
Nuts and washers not supplied.

PART NO.	L ± 1/64	H ± 1/32
10775	2"	
10776	3"	
10777	4"	
10778	4-1/4	
10779	4-1/2	
10780	5"	1-13/16
10781	6"	
10782	7"	
10783	8"	
10784	9"	
10788	2"	2"
10789	3"	2"
10790	4"	2"
10793	2"	2-1/4
10794	3"	2-1/4
10795	4"	2-1/4
10796	4-1/2	2-1/4
10797	5"	2-1/4
10798	6"	2-1/4

### PART NUMBER ORDERING SYSTEM

XXXXX - X - XXXX - XX

|                      |                      |                      |  
 PART NO.            THREAD                      MATERIAL                      FINISH

### THREAD CODE

THREAD	CODE
10-32	1032
1/4-20	2520

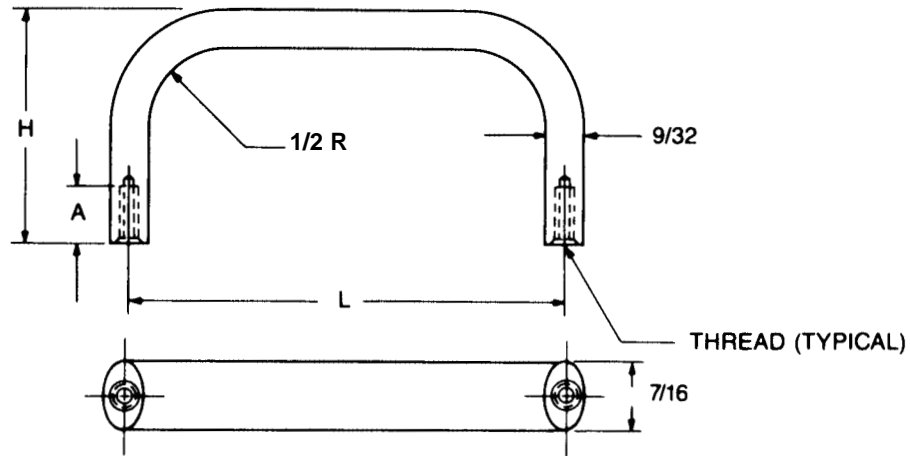
### MATERIAL CODE

MATERIAL	CODE
Aluminum	A
Brass	B
Stainless Steel	SS
Steel	S

**NOTE:**  
Metric size dimensions and threads available.  
Please contact Sales Office.

5 Pasco Hill Road • Cromwell, CT 06416-1093  
 Phone: 860-828-0847 • Call Toll Free: 800-243-6032 • Fax: 860-828-0381  
 Web Address: <http://www.amatom.com> • E-Mail: [sales@amatom.com](mailto:sales@amatom.com)

## 7/16" x 9/32" OVAL HANDLES INTERNAL THREADS



Refer to page 102 for Finish Codes.  
For MS39087 equivalents see page 271.

PART NO.	L ± 1/64	H ± 1/32
10820	2"	1"
10821	2-1/2"	
10822	3"	
10823	4"	
10824	4-1/4"	
10825	4-1/2"	
10826	4-9/16"	
10827	5"	
10828	6"	
10829	6-7/16"	
10835	2"	1-9/32
10836	2-1/4"	
10837	2-1/2"	
10838	3"	
10839	3-1/2"	
10840	4"	
10841	4-1/4"	
10842	4-1/2"	
10843	4-9/16"	
10844	6"	
10850	2"	1-1/2
10851	2-1/4"	
10852	2-1/2"	
10853	3"	
10854	3-1/2"	
10855	4"	
10856	4-1/4"	
10857	4-1/2"	
10858	4-9/16"	
10859	5"	
10860	6"	

PART NO.	L ± 1/64	H ± 1/32
10865	4"	1-3/4
10866	4-9/16"	
10867	6"	
10868	6-7/16"	
10869	7"	
10870	8"	
10871	9"	
10872	12"	
10876	4"	2"
10877	4-9/16"	
10878	6"	
10879	6-7/16"	
10880	7"	
10881	8"	
10882	9"	
10883	12"	

**PART NUMBER ORDERING SYSTEM**

XXXXX - X - XXXX - XX

|  
 PART NO. | THREAD |  
 |  
 MATERIAL | FINISH

THREAD CODE & DEPTH		
THREAD	CODE	A
8-32	0832	5/16-1/2
10-24	1024	5/16-5/8
10-32	1032	5/16-5/8

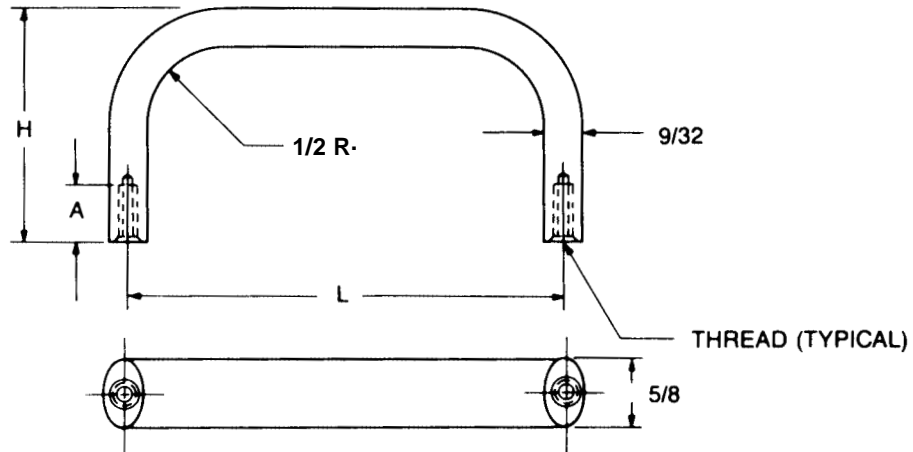
MATERIAL	CODE
Aluminum	A
Brass	B
Stainless Steel	SS

**NOTE:**  
Metric size dimensions and threads available.  
Please contact Sales Office.

5 Pasco Hill Road • Cromwell, CT 06416-1093  
 Phone: 860-828-0847 • Call Toll Free: 800-243-6032 • Fax: 860-828-0381  
 Web Address: <http://www.amatom.com> • E-Mail: [sales@amatom.com](mailto:sales@amatom.com)



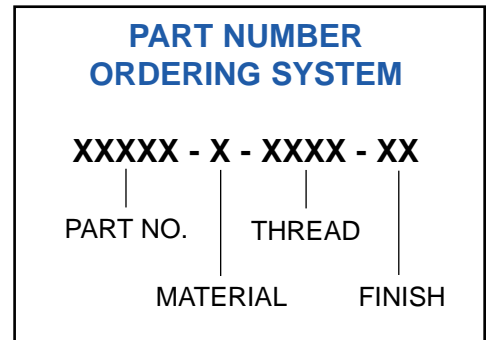
## 5/8" x 9/32" OVAL HANDLES INTERNAL THREADS



PART NO.	L ± 1/64	H ± 1/32
10910	2-1/2	1"
10911	3"	
10912	4"	
10913	4-1/4	
10914	4-1/2	
10915	4-9/16	
10916	5"	
10917	6"	
10918	6-7/16	
10922	2-1/2	1-9/32
10923	3"	
10924	4"	
10925	4-1/4	
10926	4-1/2	
10927	4-9/16	
10928	5"	
10929	6"	
10930	6-7/16	
10935	2-1/2	
10936	3"	
10937	4"	
10938	4-1/4	
10939	4-1/2	
10940	4-9/16	
10941	5"	
10942	6"	
10943	6-7/16	
10944	7"	
10945	8"	
10946	9"	
10947	9-1/2	

PART NO.	L ± 1/64	H ± 1/32
10955	3"	1-3/4
10956	4"	
10957	4-1/4	
10958	4-1/2	
10959	4-9/16	
10960	5"	
10961	5-1/2	
10962	6"	
10963	6-7/16	
10964	7"	
10965	8"	
10966	8-1/4	
10967	9"	
10968	9-1/2	
10969	10"	
10970	12"	
10975	4-1/2	2"
10976	4-9/16	
10977	5"	
10978	5-1/2	
10979	6"	
10980	7"	
10981	8"	
10982	8-1/4	
10983	8-1/2	
10984	9"	
10985	10"	
10986	12"	
10990	3"	2-1/4
10991	4"	
10992	5"	
10993	6"	
10994	7"	
10995	8"	
10996	9"	

Refer to page 102 for Finish Codes.  
For MS39087 equivalents see page 271.



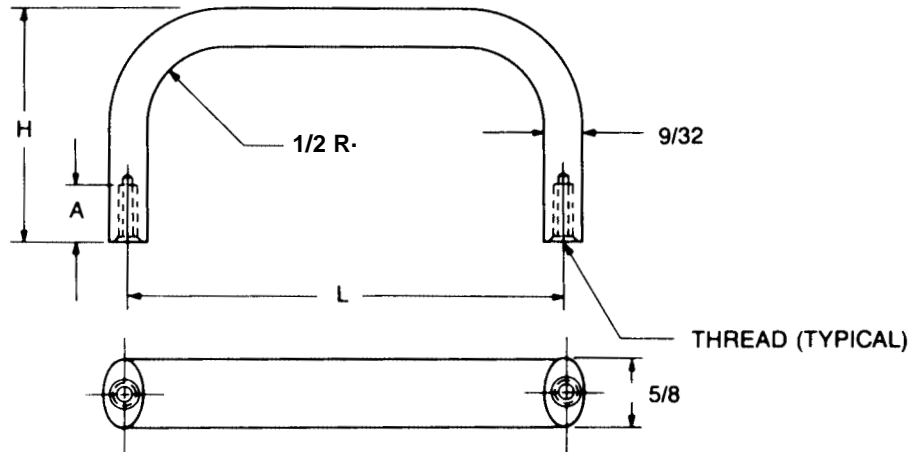
THREAD CODE & DEPTH		
THREAD	CODE	A
8-32	0832	5/16-5/8
10-24	1024	5/16-5/8
10-32	1032	5/16-5/8

MATERIAL	CODE
Aluminum	A
Brass	B
Stainless Steel	SS

**NOTE:**  
Metric size dimensions and threads available.  
Please contact Sales Office.

Continued on next page

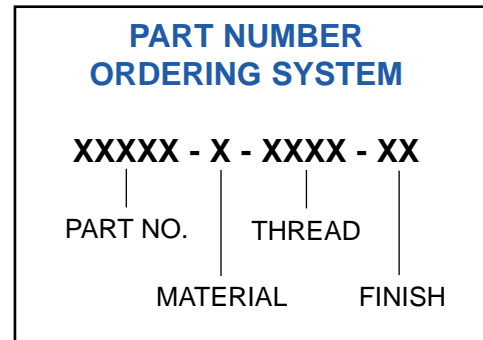
## 5/8" x 9/32" OVAL HANDLES INTERNAL THREADS



Continued from previous page

PART NO.	L ± 1/64	H ± 1/32
11000	4"	2-1/2
11001	4-1/2"	
11002	4-9/16"	
11003	5"	
11004	6"	
11005	7"	
11006	8"	
11007	9"	
11008	10"	
11009	12"	
11015	4-1/2"	3
11016	4-9/16"	
11017	5"	
11018	6"	
11019	7"	
11020	8"	
11021	9"	
11022	10"	
11023	12"	
11028	4-1/2"	4
11029	4-9/16"	
11030	5"	
11031	6"	
11032	7"	
11033	8"	
11034	9"	
11035	10"	
11036	12"	

Refer to page 102 for Finish Codes.  
For MS39087 equivalents see page 271.



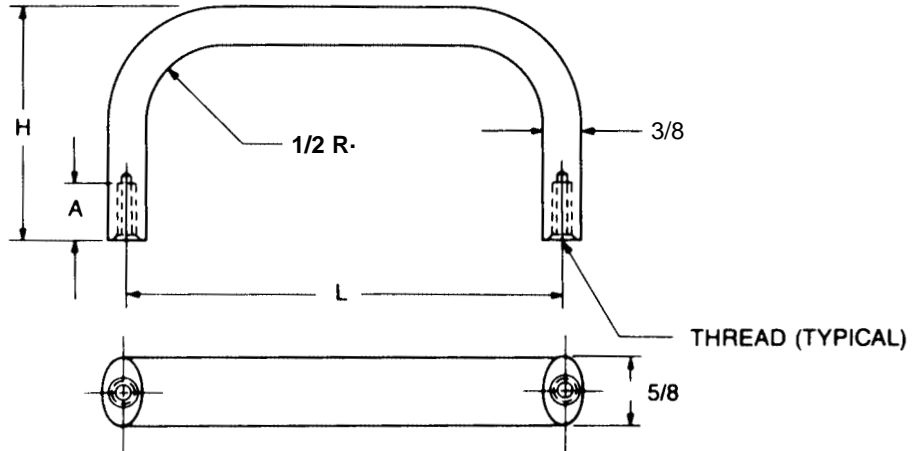
THREAD CODE & DEPTH		
THREAD	CODE	A
8-32	0832	5/16-5/8
10-24	1024	5/16-5/8
10-32	1032	5/16-5/8

MATERIAL	CODE
Aluminum	A
Brass	B
Stainless Steel	SS

**NOTE:**  
Metric size dimensions and threads available.  
Please contact Sales Office.

**5 Pasco Hill Road • Cromwell, CT 06416-1093**  
**Phone: 860-828-0847 • Call Toll Free: 800-243-6032 • Fax: 860-828-0381**  
**Web Address: <http://www.amatom.com> • E-Mail: [sales@amatom.com](mailto:sales@amatom.com)**

## 5/8" x 3/8" OVAL HANDLES INTERNAL THREADS



Refer to page 102 for Finish Codes.  
For MS39087 equivalents see page 271.

PART NO.	L ± 1/64	H ± 1/32
11060	2-1/2	1-9/32
11061	3"	
11062	4"	
11063	4-1/4	
11064	4-1/2	
11065	4-9/16	
11066	5"	
11067	6"	
11068	7"	
11069	8"	
11070	9"	
11075	2-1/2	1-1/2
11076	3"	
11077	4"	
11078	4-1/4	
11079	4-1/2	
11080	4-9/16	
11081	5"	
11082	6"	
11083	7"	
11084	8"	
11085	9"	
11090	3"	1-3/4
11091	4"	
11092	4-1/4	
11093	4-1/2	
11094	4-9/16	
11095	5"	
11096	5-1/2	
11097	6"	
11098	6-7/16	
11099	7"	
11100	8"	
11101	9"	
11102	10"	
11103	12"	
11108	4-1/2	2"
11109	4-9/16	
11110	5"	
11111	6"	

PART NO.	L ± 1/64	H ± 1/32
11112	7"	2"
11113	8"	
11114	9"	
11115	10"	
11116	12"	
11120	2-1/2	
11121	3"	
11122	4"	
11123	4-1/2	
11124	5"	
11125	5-1/2	
11126	6"	
11127	6-1/2	
11128	7"	
11129	7-1/2	
11130	8"	2-1/2
11131	8-1/2	
11132	9"	
11133	9-1/2	
11134	10"	
11135	4-1/2	
11136	4-9/16	
11137	5"	
11138	6"	
11139	7"	
11140	8"	
11141	9"	
11142	10"	
11143	12"	
11145	4-1/2	3"
11146	4-9/16	
11147	5"	
11148	6"	
11149	7"	
11150	8"	
11151	9"	
11152	10"	
11153	12"	

**PART NUMBER ORDERING SYSTEM**

XXXXX - X - XXXX - XX

|                      |                      |                      |  
 PART NO.            THREAD                MATERIAL            FINISH

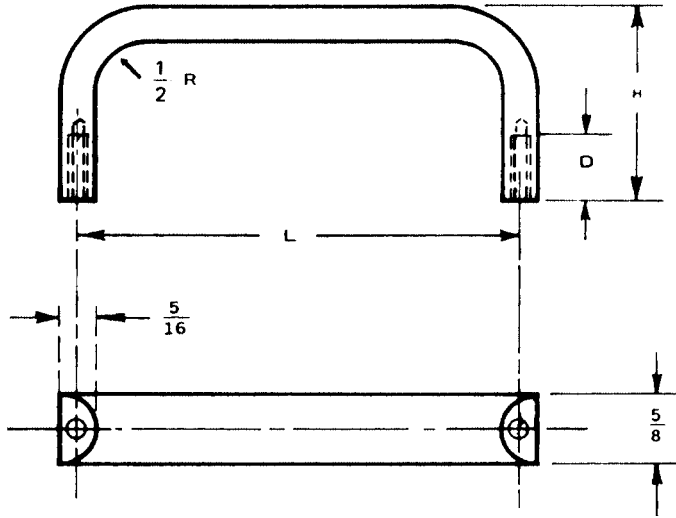
THREAD CODE & DEPTH		
THREAD	CODE	A
8-32	0832	5/16-5/8
10-24	1024	5/16-5/8
10-32	1032	5/16-5/8

MATERIAL	CODE
Aluminum	A
Brass	B

**NOTE:**  
Metric size dimensions and threads available.  
Please contact Sales Office.

5 Pasco Hill Road • Cromwell, CT 06416-1093  
 Phone: 860-828-0847 • Call Toll Free: 800-243-6032 • Fax: 860-828-0381  
 Web Address: <http://www.amatom.com> • E-Mail: [sales@amatom.com](mailto:sales@amatom.com)

## 5/8" x 5/16" HALF ROUND HANDLES INTERNAL THREADS



- Custom or Special Handles to meet specific requirements can be supplied.
- Tolerances See Page 101.
- Refer to Page 102 for Finish Codes.
- Depth of Thread (D) See Chart B Page 101.

PART NO.	L ± 1/64	H ± 1/32
11230	3"	1-9/32
11231	4"	
11232	4-9/16	
11233	5"	
11234	6"	
11235	6-7/16	
11236	7"	
11237	8"	
11238	9"	
11240	3"	1-1/2
11241	4"	
11242	4-9/16	
11243	5"	
11244	6"	
11245	6-7/16	
11246	7"	
11247	8"	
11248	9"	
11250	3"	1-3/4
11251	4"	
11252	4-9/16	
11253	5"	
11254	6"	
11255	6-7/16	
11256	7"	
11257	8"	
11258	9"	
11260	3"	2"
11261	4"	
11262	4-9/16	
11263	5"	
11264	6"	
11265	6-7/16	
11266	7"	
11267	8"	
11268	9"	

### PART NUMBER ORDERING SYSTEM

XXXXX - X - XXXX - XX

PART NO.

THREAD

MATERIAL

FINISH

### THREAD CODE

THREAD	CODE
10-24	1024
10-32	1032

### MATERIAL

### CODE

Aluminum  
Brass

A  
B

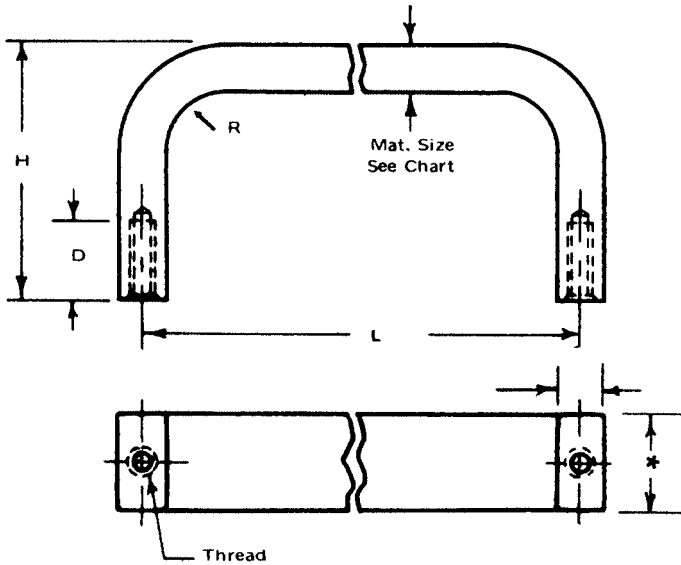
### NOTE:

Metric size dimensions and threads available.

Please contact Sales Office.

5 Pasco Hill Road • Cromwell, CT 06416-1093  
 Phone: 860-828-0847 • Call Toll Free: 800-243-6032 • Fax: 860-828-0381  
 Web Address: <http://www.amatom.com> • E-Mail: [sales@amatom.com](mailto:sales@amatom.com)

### 1/2" x 3/16" RECTANGULAR HANDLES INTERNAL THREADS



- Custom or Special Handles to meet specific requirements can be supplied.
- Tolerances See Page 101.
- Refer to Page 102 for Finish Codes.
- Depth of Thread (D) See Chart B Page 101.

PART NO.	L ± 1/64	H ± 1/32
11300	2"	1-1/2
11301	3"	
11302	4"	
11303	5"	
11304	6"	
11305	7"	
11306	8"	
11307	9"	
11308	10"	
11310	2"	1-3/4
11311	3"	
11312	4"	
11313	5"	
11314	6"	
11315	7"	
11316	8"	
11317	9"	
11318	10"	
11320	2"	2"
11321	3"	
11322	4"	
11323	5"	
11324	6"	
11325	7"	
11326	8"	
11327	9"	
11328	10"	

#### PART NUMBER ORDERING SYSTEM

XXXXX - X - XXXX - XX

PART NO.      THREAD

MATERIAL      FINISH

#### THREAD CODE

THREAD	CODE
4-40	0440
6-32	0632

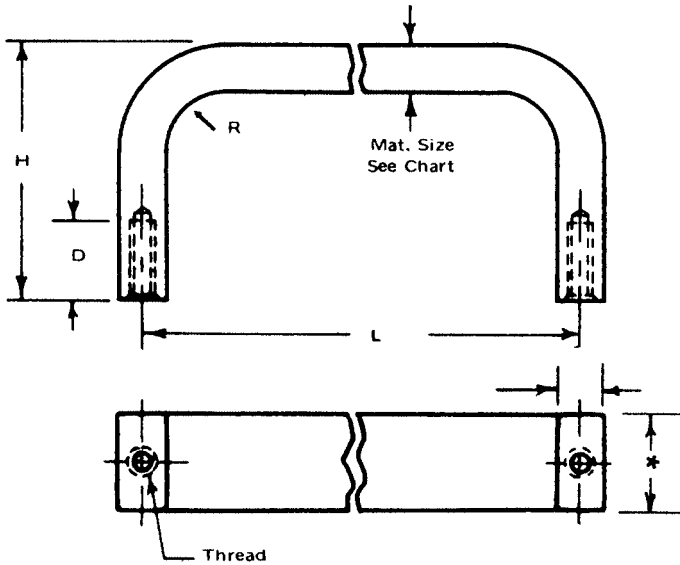
#### MATERIAL CODE

MATERIAL	CODE
Aluminum	A
Brass	B

**NOTE:**  
Metric size dimensions and threads available.  
Please contact Sales Office.

5 Pasco Hill Road • Cromwell, CT 06416-1093  
Phone: 860-828-0847 • Call Toll Free: 800-243-6032 • Fax: 860-828-0381  
Web Address: <http://www.amatom.com> • E-Mail: [sales@amatom.com](mailto:sales@amatom.com)

## 1/2" x 1/4" RECTANGULAR HANDLES INTERNAL THREADS



- Custom or Special Handles to meet specific requirements can be supplied.
- Tolerances See Page 101.
- Refer to Page 102 for Finish Codes.
- Depth of Thread (D) See Chart B Page 101.

PART NO.	L ± 1/64	H ± 1/32
11350	2"	1-1/2
11351	3"	
11352	4"	
11353	5"	
11354	6"	
11355	7"	
11356	8"	
11357	9"	
11358	10"	
11360	2"	1-3/4
11361	3"	
11362	4"	
11363	5"	
11364	6"	
11365	7"	
11366	8"	
11367	9"	
11368	10"	
11370	2"	2"
11371	3"	
11372	4"	
11373	5"	
11374	6"	
11375	7"	
11376	8"	
11377	9"	
11378	10"	

### PART NUMBER ORDERING SYSTEM

XXXXX - X - XXXX - XX

PART NO.      THREAD      MATERIAL      FINISH

### THREAD CODE

THREAD	CODE
6-32	0632
8-32	0832

### MATERIAL CODE

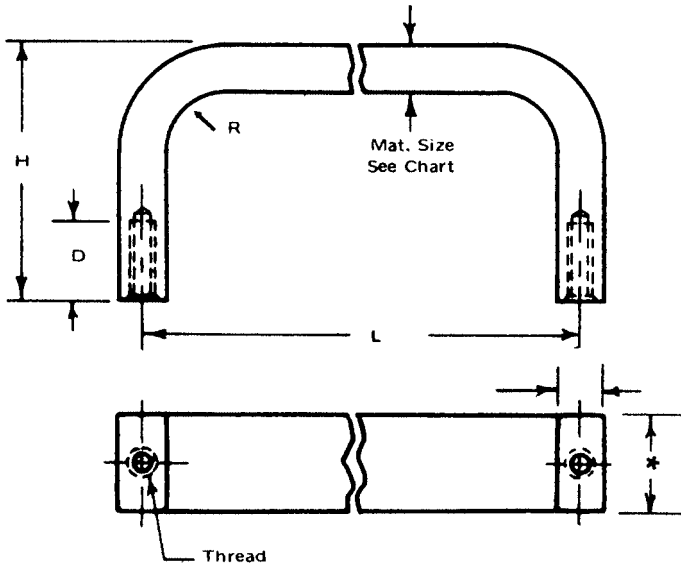
MATERIAL	CODE
Aluminum	A
Brass	B

#### NOTE:

Metric size dimensions and threads available.

Please contact Sales Office.

## 1/2" x 5/16" RECTANGULAR HANDLES INTERNAL THREADS



- Custom or Special Handles to meet specific requirements can be supplied.
- Tolerances See Page 101.
- Refer to Page 102 for Finish Codes.
- Depth of Thread (D) See Chart B Page 101.

PART NO.	L ± 1/64	H ± 1/32
11400	2"	
11401	3"	
11402	4"	
11403	5"	
11404	6"	1"
11405	7"	
11406	8"	
11407	9"	
11408	10"	
11410	2"	
11411	3"	
11412	4"	
11413	5"	
11414	6"	1-1/4
11415	7"	
11416	8"	
11417	9"	
11418	10"	
11420	2"	
11421	3"	
11422	4"	
11423	5"	
11424	6"	1-1/2
11425	7"	
11426	8"	
11427	9"	
11428	10"	

PART NO.	L ± 1/64	H ± 1/32
11430	2"	
11431	3"	
11432	4"	
11433	5"	
11434	6"	1-3/4
11435	7"	
11436	8"	
11437	9"	
11438	10"	
11440	2"	
11441	3"	
11442	4"	
11443	5"	
11444	6"	2"
11445	7"	
11446	8"	
11447	9"	
11448	10"	

**PART NUMBER ORDERING SYSTEM**

**XXXXX - X - XXXX - XX**

PART NO.	MATERIAL	THREAD	FINISH

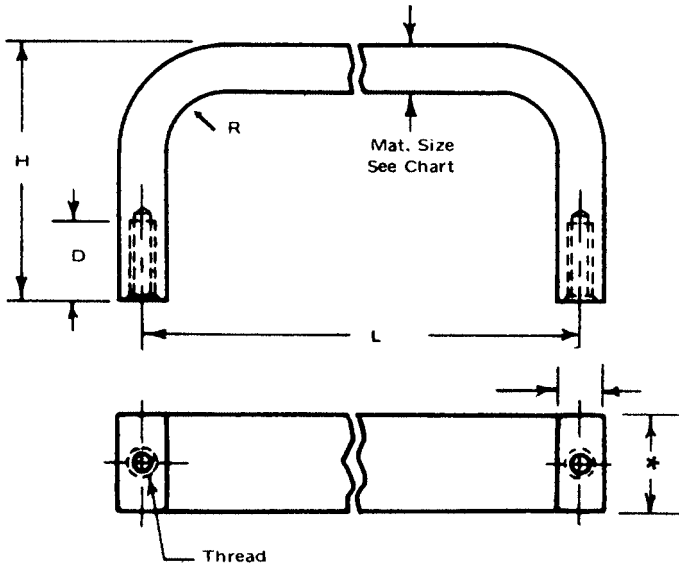
THREAD CODE	
THREAD	CODE
8-32	0832
10-32	1032

MATERIAL	CODE
Aluminum	A
Brass	B

**NOTE:**  
Metric size dimensions and threads available.  
Please contact Sales Office.

5 Pasco Hill Road • Cromwell, CT 06416-1093  
Phone: 860-828-0847 • Call Toll Free: 800-243-6032 • Fax: 860-828-0381  
Web Address: <http://www.amatom.com> • E-Mail: [sales@amatom.com](mailto:sales@amatom.com)

## 5/8" x 1/4" RECTANGULAR HANDLES INTERNAL THREADS



- Custom or Special Handles to meet specific requirements can be supplied.
- Tolerances See Page 101.
- Refer to Page 102 for Finish Codes.
- Depth of Thread (D) See Chart B Page 101.

### PART NUMBER ORDERING SYSTEM

XXXXX - X - XXXX - XX

PART NO. | MATERIAL | THREAD | FINISH

PART NO.	L ± 1/64	H ± 1/32
11475	2"	1"
11476	2-1/2"	
11477	3"	
11478	4"	
11479	4-1/4"	
11480	4-1/2"	
11481	4-9/16"	
11482	5"	
11483	6"	
11484	7"	
11485	8"	
11486	9"	
11487	10"	
11490	2"	
11491	3"	
11492	4"	
11493	5"	
11494	6"	
11495	7"	
11496	8"	
11497	9"	
11498	10"	
11500	2"	1-5/16"
11501	2-1/2"	
11502	3"	
11503	4"	
11504	4-1/4"	
11505	4-1/2"	
11506	4-9/16"	
11507	5"	
11508	6"	
11509	7"	
11510	8"	
11511	9"	
11512	10"	

PART NO.	L ± 1/64	H ± 1/32
11515	3"	1-1/2"
11516	4"	
11517	4-1/4"	
11518	4-1/2"	
11519	4-9/16"	
11520	6"	
11521	6-7/16"	
11522	7"	
11523	8"	
11524	9"	
11525	10"	
11530	4"	1-3/4"
11531	4-1/4"	
11532	4-1/2"	
11533	4-9/16"	
11534	6"	
11535	6-7/16"	
11536	6-1/2"	
11537	7"	
11538	8"	
11439	9"	
11540	10"	
11545	4-1/2"	2"
11546	6"	
11547	7"	
11548	8"	
11549	9"	
11550	10"	
11555	4-1/2"	2-1/2"
11556	6"	
11557	7"	
11558	8"	
11559	9"	
11560	10"	

PART NO.	L ± 1/64	H ± 1/32
11565	4-1/2"	3"
11566	6"	
11567	7"	
11568	8"	
11569	9"	
11570	10"	
11575	4-1/2"	4"
11576	6"	
11577	7"	
11578	8"	
11579	9"	
11580	10"	

### THREAD CODE

THREAD	CODE
6-32	0632
8-32	0832

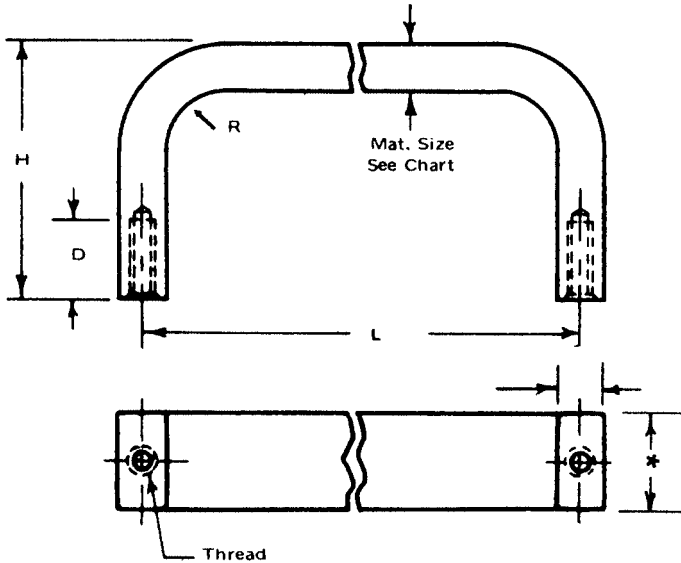
MATERIAL	CODE
Aluminum	A
Brass	B

**NOTE:**  
Metric size dimensions and threads available.  
Please contact Sales Office.

5 Pasco Hill Road • Cromwell, CT 06416-1093  
 Phone: 860-828-0847 • Call Toll Free: 800-243-6032 • Fax: 860-828-0381  
 Web Address: <http://www.amatom.com> • E-Mail: [sales@amatom.com](mailto:sales@amatom.com)



## 1" x 1/4" RECTANGULAR HANDLES INTERNAL THREADS

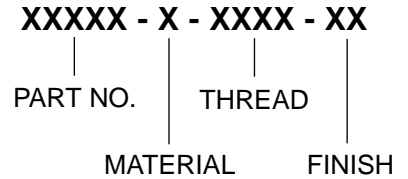


- Custom or Special Handles to meet specific requirements can be supplied.
- Tolerances See Page 101.
- Refer to Page 102 for Finish Codes.
- Depth of Thread (D) See Chart B Page 101.

PART NO.	L ± 1/64	H ± 1/32
11600	2"	
11601	3"	
11602	4"	
11603	5"	
11604	6"	1"
11605	7"	
11606	8"	
11607	9"	
11608	10"	
11610	4"	
11611	5"	
11612	6"	1-1/4
11613	7"	
11614	8"	
11615	9"	
11616	10"	
11620	2"	
11621	3"	
11622	4"	
11623	5"	1-1/2
11624	6"	
11625	7"	
11626	8"	
11627	9"	
11628	10"	

PART NO.	L ± 1/64	H ± 1/32
11630	2"	
11631	3"	
11632	4"	
11633	5"	
11634	6"	2"
11635	7"	
11636	8"	
11637	9"	
11638	10"	
11640	2"	
11641	3"	
11642	4"	
11643	5"	
11644	6"	3"
11645	7"	
11646	8"	
11647	9"	
11648	10"	
11650	2"	
11651	3"	
11652	4"	
11653	5"	
11654	6"	4"
11655	7"	
11656	8"	
11657	9"	
11658	10"	

### PART NUMBER ORDERING SYSTEM



### THREAD CODE

THREAD	CODE
6-32	0632
8-32	0832

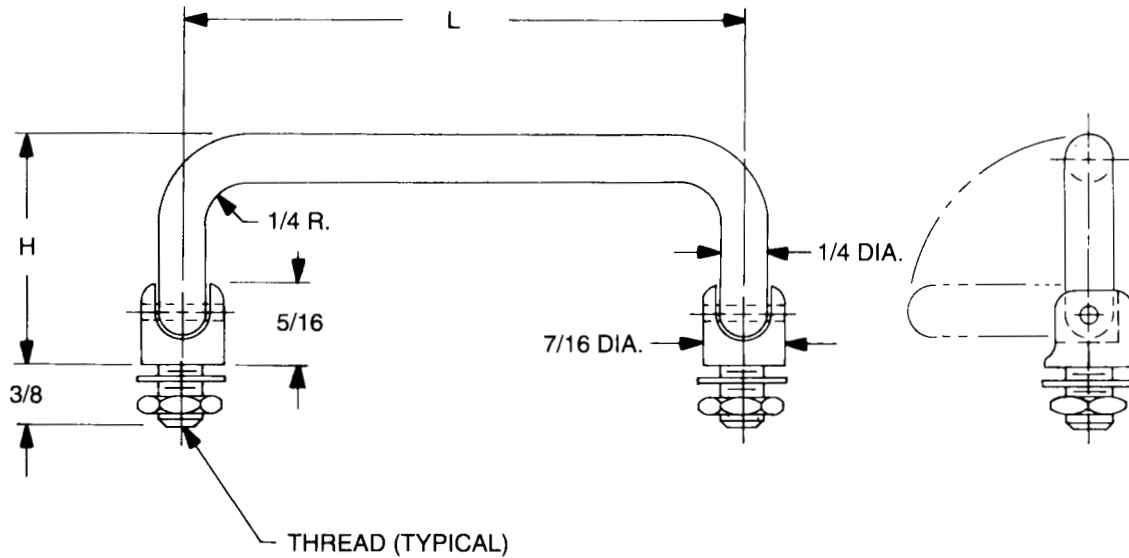
### MATERIAL CODE

MATERIAL	CODE
Aluminum	A
Brass	B

**NOTE:**  
Metric size dimensions and threads available.  
Please contact Sales Office.

5 Pasco Hill Road • Cromwell, CT 06416-1093  
 Phone: 860-828-0847 • Call Toll Free: 800-243-6032 • Fax: 860-828-0381  
 Web Address: <http://www.amatom.com> • E-Mail: [sales@amatom.com](mailto:sales@amatom.com)

## 1/4" ROUND HANDLES EXTERNAL THREADS - 90° FREE FALL



Refer to page 102 for Finish Codes.  
Nuts and washers supplied. (Bulk Package)

PART NO.	L ± 1/64	H ± 1/32
11705	3"	
11706	3-1/2	
11707	4"	
11708	4-1/4	1.460
11709	4-1/2	
11710	5"	
11711	6"	

**PART NUMBER ORDERING SYSTEM**

**XXXXX - X - XXXX - XX**

PART NO.	THREAD	
MATERIAL		FINISH

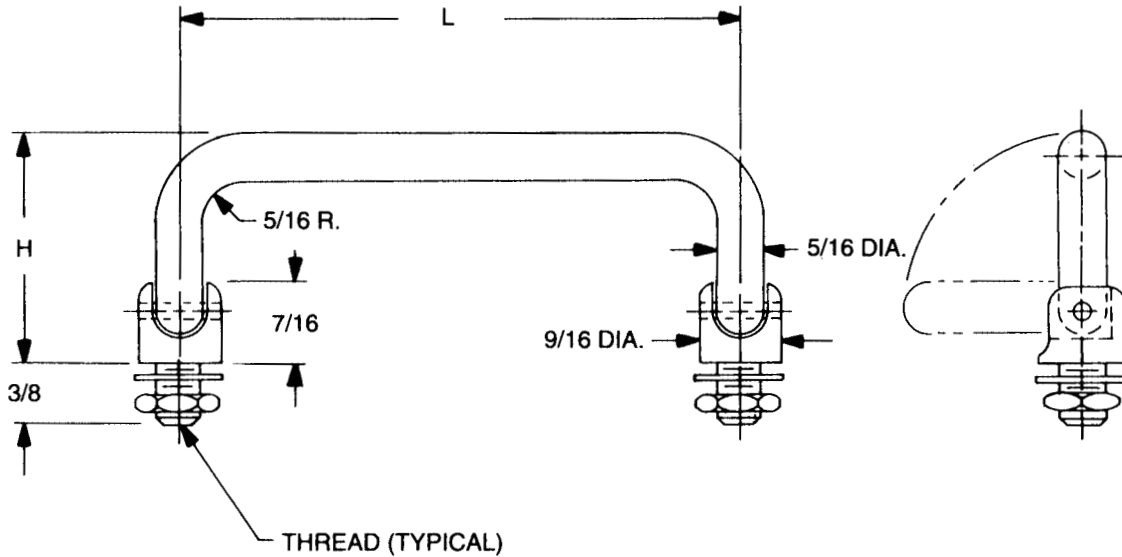
THREAD CODE	
THREAD	CODE
1/4-28	2528
5/16-24	3124

MATERIAL	CODE
Aluminum	A
Brass	B
Stainless Steel	SS
Steel	S

**NOTE:**  
Metric size dimensions and threads available.  
Please contact Sales Office.

**5 Pasco Hill Road • Cromwell, CT 06416-1093**  
**Phone: 860-828-0847 • Call Toll Free: 800-243-6032 • Fax: 860-828-0381**  
**Web Address: <http://www.amatom.com> • E-Mail: [sales@amatom.com](mailto:sales@amatom.com)**

### 5/16" ROUND HANDLES EXTERNAL THREADS - 90° FREE FALL



Refer to page 102 for Finish Codes.  
Nuts and washers supplied. (Bulk Package)

PART NO.	L ± 1/64	H ± 1/32
11830	3"	1.531
11831	3-1/2"	
11832	4"	
11833	4-1/4"	
11834	4-1/2"	
11835	5"	
11836	6"	1.810
11840	3"	
11841	3-1/2"	
11842	4"	
11843	4-1/4"	
11844	4-1/2"	
11845	5"	
11846	6"	

**PART NUMBER ORDERING SYSTEM**

XXXXX - X - XXXX - XX

PART NO.      THREAD

MATERIAL      FINISH

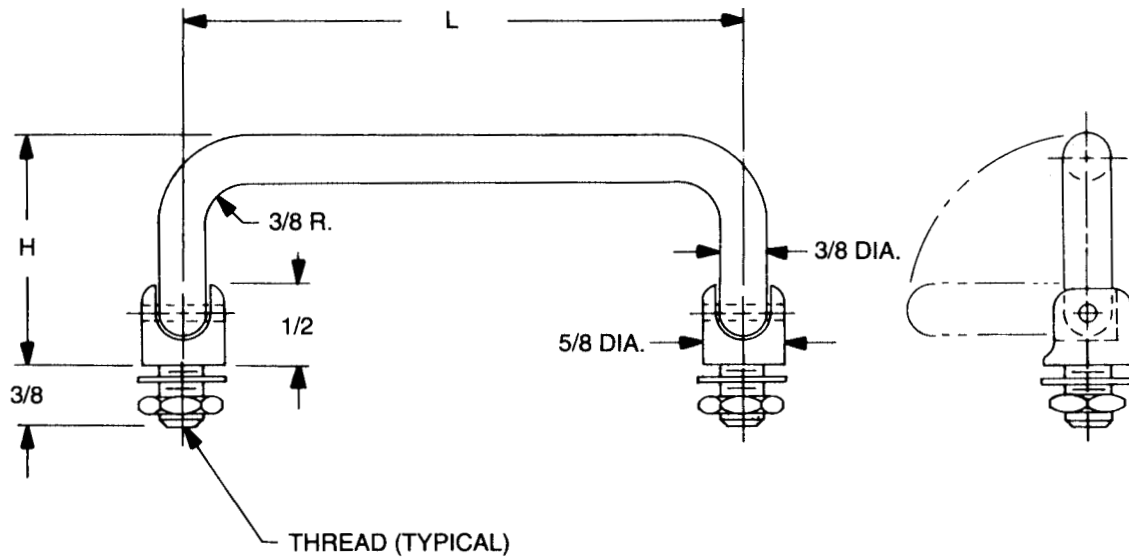
THREAD CODE	
THREAD	CODE
5/16-24	3124
3/8-24	3724

MATERIAL	CODE
Aluminum	A
Brass	B
Stainless Steel	SS
Steel	S

**NOTE:**  
Metric size dimensions and threads available.  
Please contact Sales Office.

5 Pasco Hill Road • Cromwell, CT 06416-1093  
Phone: 860-828-0847 • Call Toll Free: 800-243-6032 • Fax: 860-828-0381  
Web Address: <http://www.amatom.com> • E-Mail: [sales@amatom.com](mailto:sales@amatom.com)

## 3/8" ROUND HANDLES EXTERNAL THREADS - 90° FREE FALL



Refer to page 102 for Finish Codes.  
Nuts and washers supplied. (Bulk Package)

PART NO.	L ± 1/64	H ± 1/32
11865	3"	1.531
11866	3-1/2"	
11867	4"	
11868	4-1/4"	
11869	4-1/2"	
11870	5"	
11871	6"	
11875	3"	1.850
11876	3-1/2"	
11877	4"	
11878	4-1/4"	
11879	4-1/2"	
11880	5"	
11881	6"	

**PART NUMBER  
ORDERING SYSTEM**

**XXXXX - X - XXXX - XX**

PART NO.	THREAD	FINISH
MATERIAL		FINISH

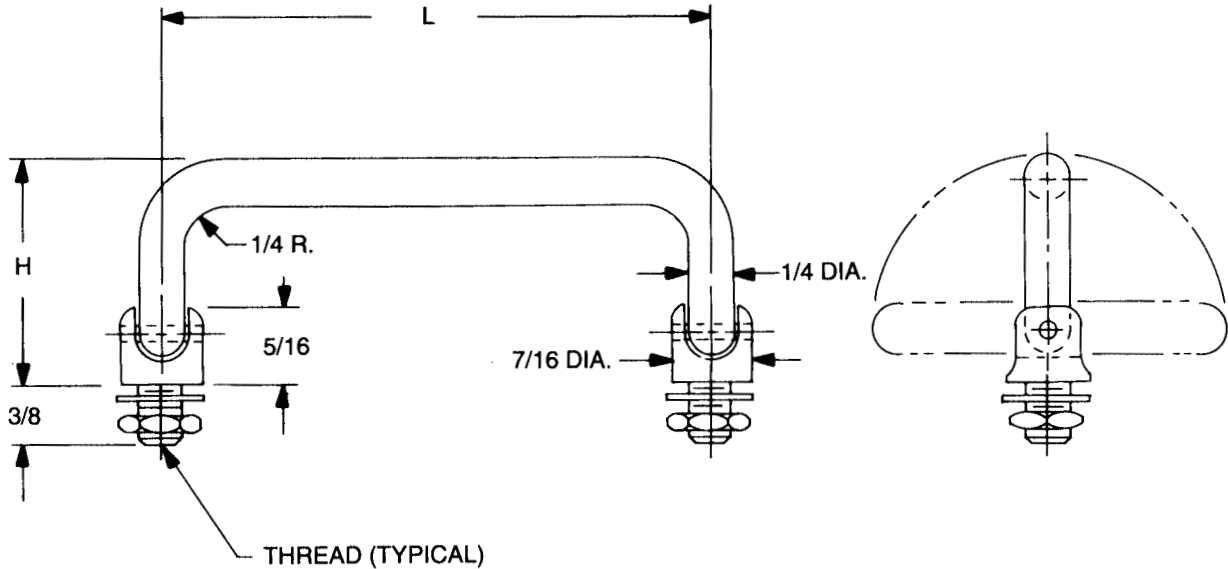
THREAD CODE	
THREAD	CODE
5/16-24	3124
3/8-24	3724

MATERIAL	CODE
Aluminum	A
Brass	B
Stainless Steel	SS
Steel	S

**NOTE:**  
Metric size dimensions and threads available.  
Please contact Sales Office.

5 Pasco Hill Road • Cromwell, CT 06416-1093  
Phone: 860-828-0847 • Call Toll Free: 800-243-6032 • Fax: 860-828-0381  
Web Address: <http://www.amatom.com> • E-Mail: [sales@amatom.com](mailto:sales@amatom.com)

### 1/4" ROUND HANDLES EXTERNAL THREADS - 180° FREE FALL



Refer to page 102 for Finish Codes.  
Nuts and washers supplied. (Bulk Package)

PART NO.	L ± 1/64	H ± 1/32
11925	3"	
11926	3-1/2"	
11927	4"	
11928	4-1/4"	1.460
11929	4-1/2"	
11930	5"	
11931	6"	

**PART NUMBER ORDERING SYSTEM**

XXXXX - X - XXXX - XX

PART NO.      THREAD      MATERIAL      FINISH

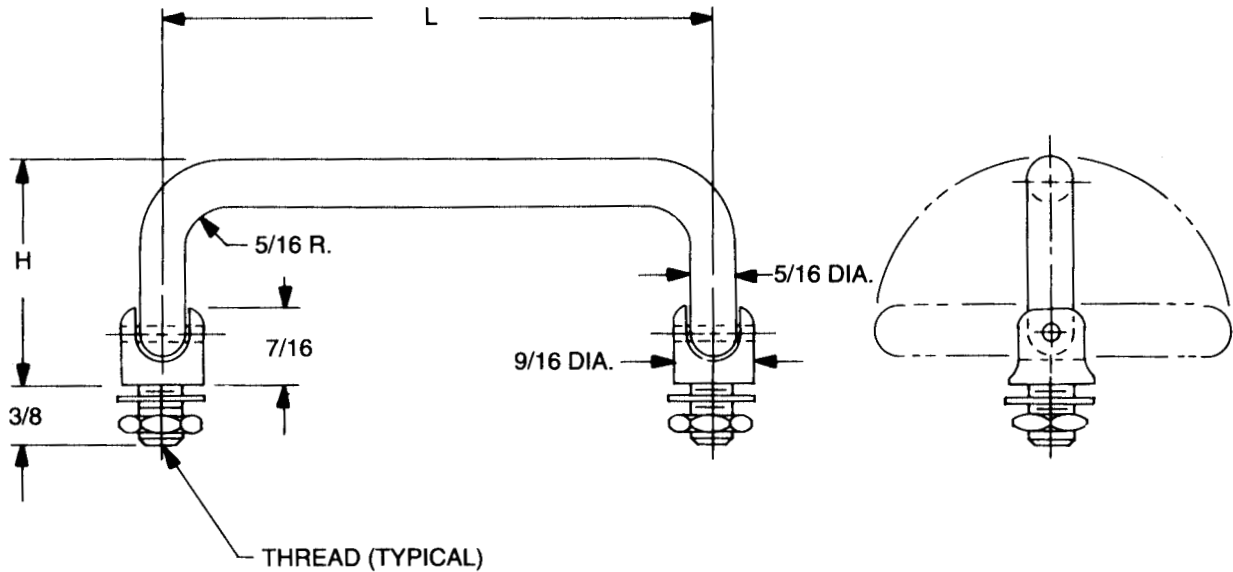
THREAD CODE	
THREAD	CODE
1/4-28	2528
5/16-24	3124

MATERIAL	CODE
Aluminum	A
Brass	B
Stainless Steel	SS
Steel	S

**NOTE:**  
Metric size dimensions and threads available.  
Please contact Sales Office.

5 Pasco Hill Road • Cromwell, CT 06416-1093  
Phone: 860-828-0847 • Call Toll Free: 800-243-6032 • Fax: 860-828-0381  
Web Address: <http://www.amatom.com> • E-Mail: [sales@amatom.com](mailto:sales@amatom.com)

## 5/16" ROUND HANDLES EXTERNAL THREADS - 180° FREE FALL



Refer to page 102 for Finish Codes.  
Nuts and washers supplied. (Bulk Package)

PART NO.	L ± 1/64	H ± 1/32
11885	3"	1.531
11886	3-1/2"	
11887	4"	
11888	4-1/4"	
11889	4-1/2"	
11890	5"	
11891	6"	1.850
11895	3"	
11896	3-1/2"	
11897	4"	
11898	4-1/4"	
11899	4-1/2"	
11900	5"	
11901	6"	

**PART NUMBER ORDERING SYSTEM**

XXXXX - X - XXXX - XX

PART NO. | THREAD | MATERIAL | FINISH

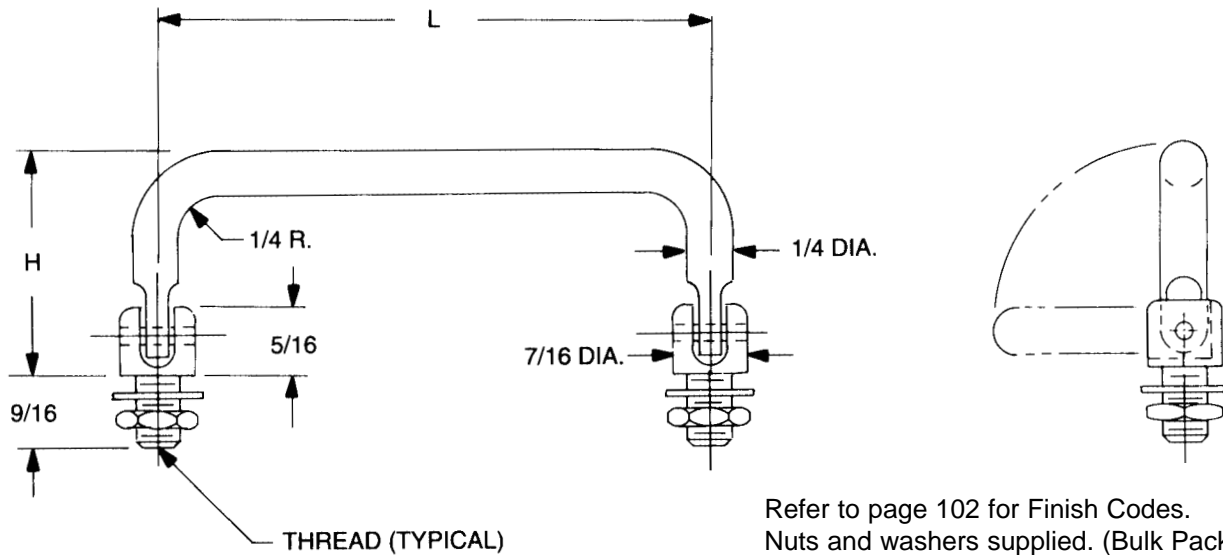
THREAD CODE	
THREAD	CODE
5/16-24	3124
3/8-24	3724

MATERIAL	CODE
Aluminum	A
Brass	B
Stainless Steel	SS
Steel	S

**NOTE:**  
Metric size dimensions and threads available.  
Please contact Sales Office.

5 Pasco Hill Road • Cromwell, CT 06416-1093  
Phone: 860-828-0847 • Call Toll Free: 800-243-6032 • Fax: 860-828-0381  
Web Address: <http://www.amatom.com> • E-Mail: [sales@amatom.com](mailto:sales@amatom.com)

### 1/4" ROUND HANDLES EXTERNAL THREADS 90° INFINITE POSITION



PART NO.	L ± 1/64	H ± 1/32
11940	3"	
11941	3-1/2"	
11942	4"	
11943	4-1/2"	
11944	5"	1.460
11945	6"	
11946	7"	
11947	8"	
11948	9"	

**PART NUMBER ORDERING SYSTEM**

XXXXX - X - XXXX - XX

PART NO. | THREAD | MATERIAL | FINISH

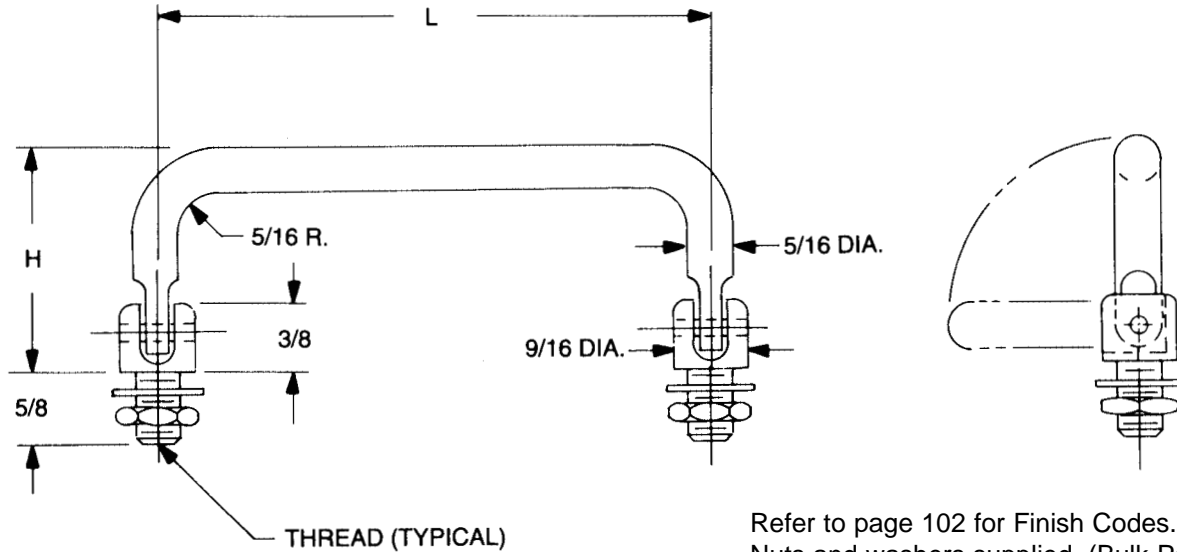
THREAD CODE	
THREAD	CODE
1/4-28	2528
5/16-24	3124

MATERIAL	CODE
Aluminum	A
Brass	B
Stainless Steel	SS
Steel	S

**NOTE:**  
Metric size dimensions and threads available.  
Please contact Sales Office.

5 Pasco Hill Road • Cromwell, CT 06416-1093  
Phone: 860-828-0847 • Call Toll Free: 800-243-6032 • Fax: 860-828-0381  
Web Address: <http://www.amatom.com> • E-Mail: [sales@amatom.com](mailto:sales@amatom.com)

## 5/16" ROUND HANDLES EXTERNAL THREADS 90° INFINITE POSITION



PART NO.	L ± 1/64	H ± 1/32
11950	3"	
11951	3-1/2	
11952	4"	
11953	4-1/2	
11954	5"	1.620
11955	6"	
11956	7"	
11957	8"	
11958	9"	

**PART NUMBER ORDERING SYSTEM**

XXXXX - X - XXXX - XX

PART NO. | THREAD | MATERIAL | FINISH

THREAD CODE	
THREAD	CODE
5/16-24	3124
3/8-24	3724

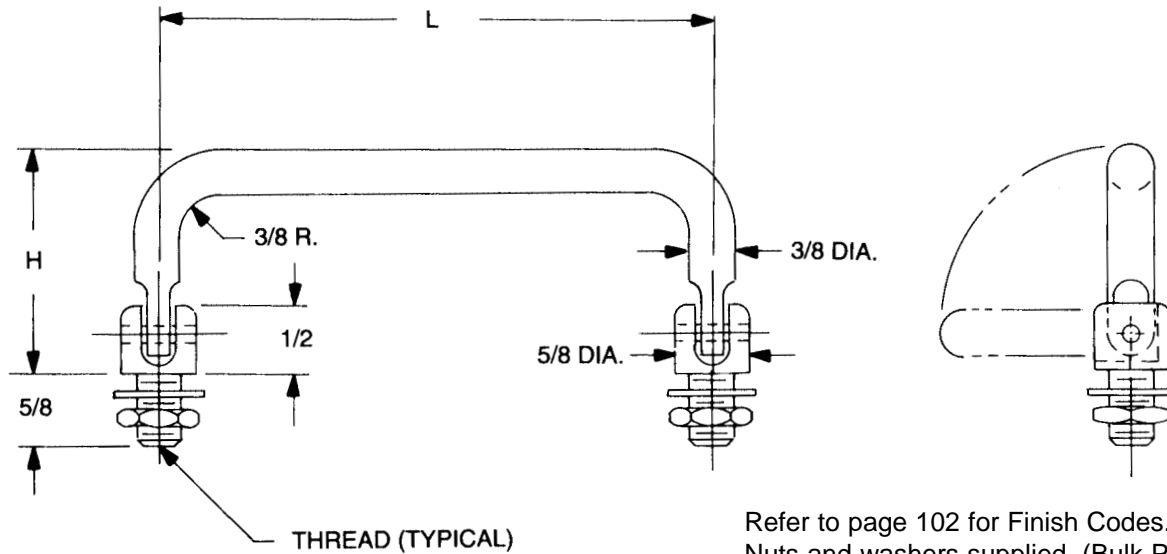
MATERIAL	CODE
Aluminum	A
Brass	B
Stainless Steel	SS
Steel	S

**NOTE:**  
Metric size dimensions and threads available.  
Please contact Sales Office.

5 Pasco Hill Road • Cromwell, CT 06416-1093  
Phone: 860-828-0847 • Call Toll Free: 800-243-6032 • Fax: 860-828-0381  
Web Address: <http://www.amatom.com> • E-Mail: [sales@amatom.com](mailto:sales@amatom.com)



### 3/8" ROUND HANDLES EXTERNAL THREADS 90° INFINITE POSITION



Refer to page 102 for Finish Codes.  
Nuts and washers supplied. (Bulk Package)

PART NO.	L ± 1/64	H ± 1/32
11960	3"	1.810
11961	3-1/2"	
11962	4"	
11963	4-1/2"	
11964	5"	
11965	6"	
11966	7"	
11967	8"	
11968	9"	

**PART NUMBER ORDERING SYSTEM**

XXXXX - X - XXXX - XX

PART NO.      THREAD

MATERIAL      FINISH

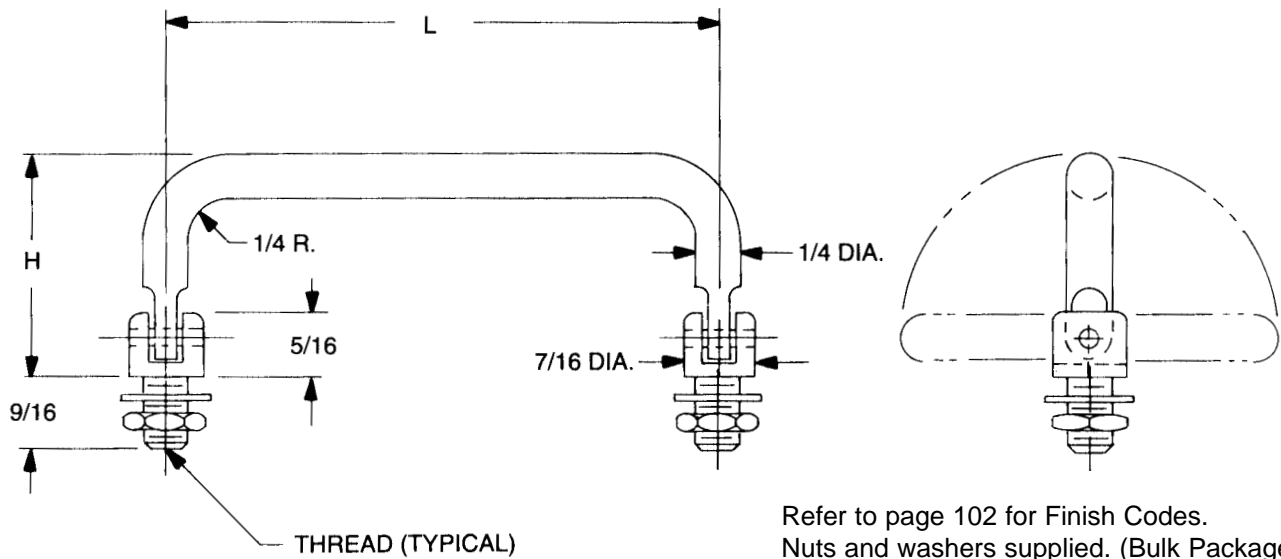
THREAD CODE	
THREAD	CODE
5/16-24	3124
3/8-24	3724

MATERIAL	CODE
Aluminum	A
Brass	B
Stainless Steel	SS
Steel	S

**NOTE:**  
Metric size dimensions and threads available.  
Please contact Sales Office.

5 Pasco Hill Road • Cromwell, CT 06416-1093  
Phone: 860-828-0847 • Call Toll Free: 800-243-6032 • Fax: 860-828-0381  
Web Address: <http://www.amatom.com> • E-Mail: [sales@amatom.com](mailto:sales@amatom.com)

## 1/4" ROUND HANDLES EXTERNAL THREADS 180° INFINITE POSITION



PART NO.	L ± 1/64	H ± 1/32
11970	3"	1.460
11971	3-1/2"	
11972	4"	
11973	4-1/2"	
11974	5"	
11975	6"	
11976	7"	
11977	8"	
11978	9"	

**PART NUMBER ORDERING SYSTEM**

XXXXX - X - XXXX - XX

PART NO. | THREAD | MATERIAL | FINISH

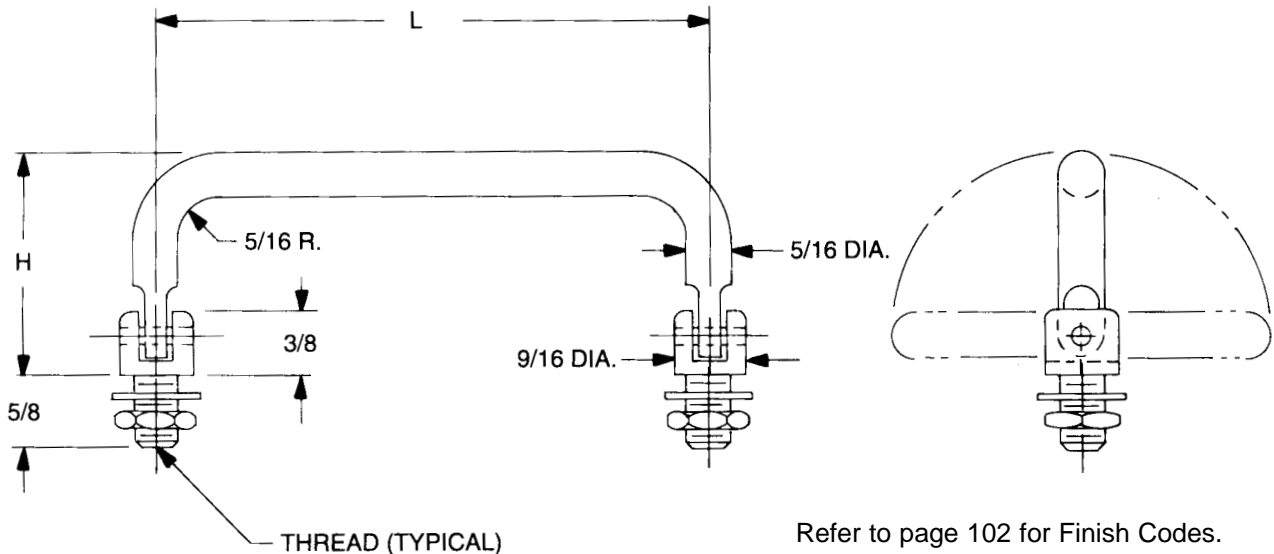
THREAD CODE	
THREAD	CODE
1/4-28	2528
5/16-24	3124

MATERIAL	CODE
Aluminum	A
Brass	B
Stainless Steel	SS
Steel	S

**NOTE:**  
Metric size dimensions and threads available.  
Please contact Sales Office.

5 Pasco Hill Road • Cromwell, CT 06416-1093  
Phone: 860-828-0847 • Call Toll Free: 800-243-6032 • Fax: 860-828-0381  
Web Address: <http://www.amatom.com> • E-Mail: [sales@amatom.com](mailto:sales@amatom.com)

### 5/16" ROUND HANDLES EXTERNAL THREADS 180° INFINITE POSITION



Refer to page 102 for Finish Codes.  
Nuts and washers supplied. (Bulk Package)

PART NO.	L ± 1/64	H ± 1/32
11980	3"	1.620
11981	3-1/2"	
11982	4"	
11983	4-1/2"	
11984	5"	
11985	6"	
11986	7"	
11987	8"	
11988	9"	

**PART NUMBER ORDERING SYSTEM**

XXXXX - X - XXXX - XX

PART NO. | THREAD | MATERIAL | FINISH

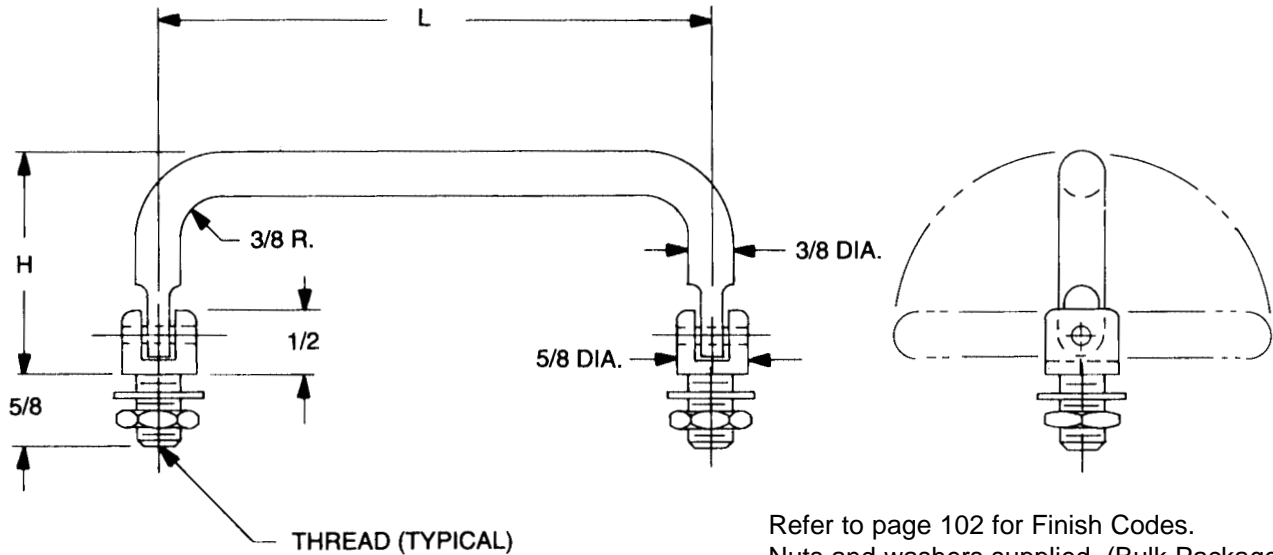
THREAD CODE	
THREAD	CODE
5/16-24	3124
3/8-24	3724

MATERIAL	CODE
Aluminum	A
Brass	B
Stainless Steel	SS
Steel	S

**NOTE:**  
Metric size dimensions and threads available.  
Please contact Sales Office.

5 Pasco Hill Road • Cromwell, CT 06416-1093  
Phone: 860-828-0847 • Call Toll Free: 800-243-6032 • Fax: 860-828-0381  
Web Address: <http://www.amatom.com> • E-Mail: [sales@amatom.com](mailto:sales@amatom.com)

## 3/8" ROUND HANDLES EXTERNAL THREADS 180° INFINITE POSITION



Refer to page 102 for Finish Codes.  
Nuts and washers supplied. (Bulk Package)

PART NO.	L ± 1/64	H ± 1/32
11990	3"	
11991	3-1/2"	
11992	4"	
11993	4-1/2"	1.810
11994	5"	
11995	6"	
11996	7"	
11997	8"	
11998	9"	

### PART NUMBER ORDERING SYSTEM

XXXXX - X - XXXX - XX

PART NO. | THREAD | MATERIAL | FINISH

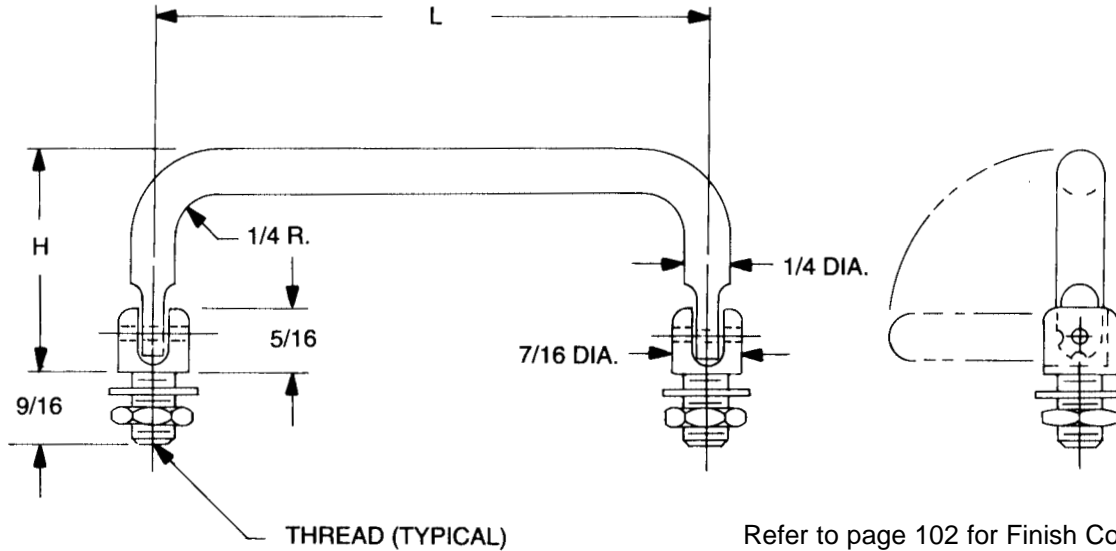
THREAD CODE	
THREAD	CODE
5/16-24	3124
3/8-24	3724

MATERIAL	CODE
Aluminum	A
Brass	B
Stainless Steel	SS
Steel	S

**NOTE:**  
Metric size dimensions and threads available.  
Please contact Sales Office.

5 Pasco Hill Road • Cromwell, CT 06416-1093  
Phone: 860-828-0847 • Call Toll Free: 800-243-6032 • Fax: 860-828-0381  
Web Address: <http://www.amatom.com> • E-Mail: [sales@amatom.com](mailto:sales@amatom.com)

## 1/4" ROUND HANDLES EXTERNAL THREADS 90° 2 POSITION



Refer to page 102 for Finish Codes.  
Nuts and washers supplied. (Bulk Package)

PART NO.	L ± 1/64	H ± 1/32
12050	4"	1.430
12051	4-1/4"	
12052	4-1/2"	
12053	5"	
12054	6"	
12055	7"	
12056	8"	
12057	9"	
11725	3"	1.460
11726	3-1/2"	
11727	4"	
11728	4-1/4"	
11729	4-1/2"	
11730	5"	
11731	6"	

### PART NUMBER ORDERING SYSTEM

XXXXX - X - XXXX - XX

PART NO. | THREAD | MATERIAL | FINISH

### THREAD CODE

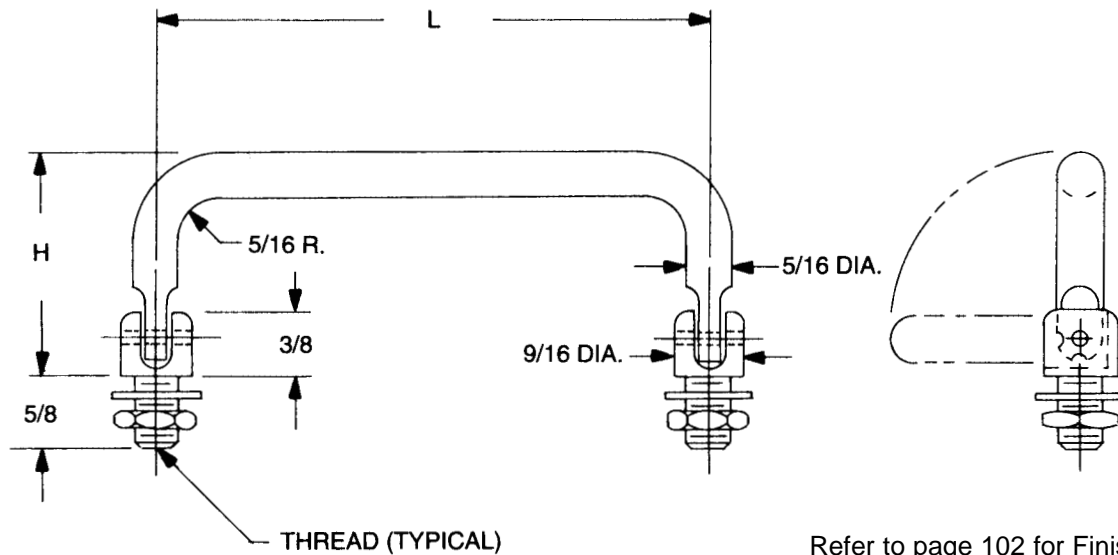
THREAD	CODE
1/4-28	2528
5/16-24	3124

MATERIAL	CODE
Aluminum	A
Brass	B
Stainless Steel	SS
Steel	S

**NOTE:**  
Metric size dimensions and threads available.  
Please contact Sales Office.

5 Pasco Hill Road • Cromwell, CT 06416-1093  
Phone: 860-828-0847 • Call Toll Free: 800-243-6032 • Fax: 860-828-0381  
Web Address: <http://www.amatom.com> • E-Mail: [sales@amatom.com](mailto:sales@amatom.com)

## 5/16" ROUND HANDLES EXTERNAL THREADS 90° 2 POSITION



Refer to page 102 for Finish Codes.  
Nuts and washers supplied. (Bulk Package)

### PART NUMBER ORDERING SYSTEM

XXXXX - X - XXXX - XX

PART NO.	MATERIAL	THREAD	FINISH

PART NO.	L ± 1/64	H ± 1/32
11735	3"	
11736	3-1/2"	
11737	4"	
11738	4-1/4"	1.530
11739	4-1/2"	
11740	5"	
11741	6"	
11745	3"	
11746	3-1/2"	
11747	4"	1.810
11748	4-1/4"	
11749	4-1/2"	
11750	5"	
11751	6"	

PART NO.	L ± 1/64	H ± 1/32
12070	4"	
12071	4-1/4"	
12072	4-1/2"	
12073	5"	1.843
12074	6"	
12075	7"	
12076	8"	
12077	9"	

### THREAD CODE

THREAD	CODE
5/16-24	3124
3/8-24	3724

MATERIAL	CODE
Aluminum	A
Brass	B
Stainless Steel	SS
Steel	S

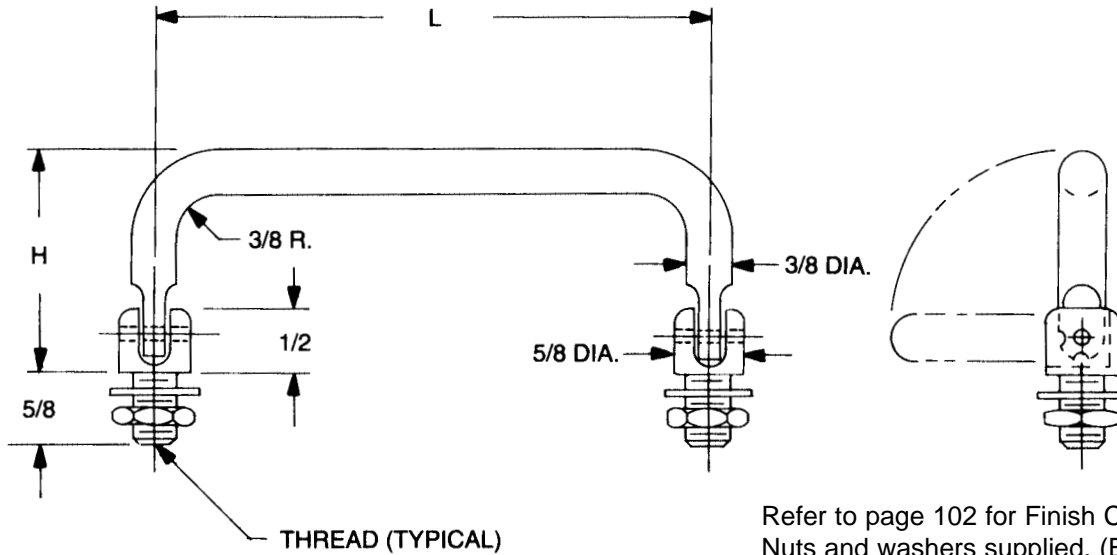
### NOTE:

Metric size dimensions and threads available.

Please contact Sales Office.

5 Pasco Hill Road • Cromwell, CT 06416-1093  
Phone: 860-828-0847 • Call Toll Free: 800-243-6032 • Fax: 860-828-0381  
Web Address: <http://www.amatom.com> • E-Mail: [sales@amatom.com](mailto:sales@amatom.com)

## 3/8" ROUND HANDLES EXTERNAL THREADS 90° 2 POSITION



Refer to page 102 for Finish Codes.  
Nuts and washers supplied. (Bulk Package)

PART NO.	L ± 1/64	H ± 1/32
11755	3"	1.530
11756	3-1/2"	
11757	4"	
11758	4-1/4"	
11759	4-1/2"	
11760	5"	
11761	6"	
12080	4"	1.625
12081	4-1/4"	
12082	4-1/2"	
12083	5"	
12084	6"	
12085	7"	
12086	8"	
12087	9"	
12090	4"	1.810
12091	4-1/4"	
12092	4-1/2"	
12093	5"	
12094	6"	
12095	7"	
12096	8"	
12097	9"	

PART NO.	L ± 1/64	H ± 1/32
12100	4"	1.843
12101	4-1/4"	
12102	4-1/2"	
12103	5"	
12104	6"	
12105	7"	
12106	8"	
12107	9"	
11765	3"	1.850
11766	3-1/2"	
11767	4"	
11768	4-1/4"	
11769	4-1/2"	
11770	5"	
11771	6"	
12110	4"	2.375
12111	4-1/4"	
12112	4-1/2"	
12113	5"	
12114	6"	
12115	7"	
12116	8"	
12117	9"	

**PART NUMBER ORDERING SYSTEM**

XXXXX - X - XXXX - XX

|                      |                      |  
 PART NO.            THREAD            MATERIAL            FINISH

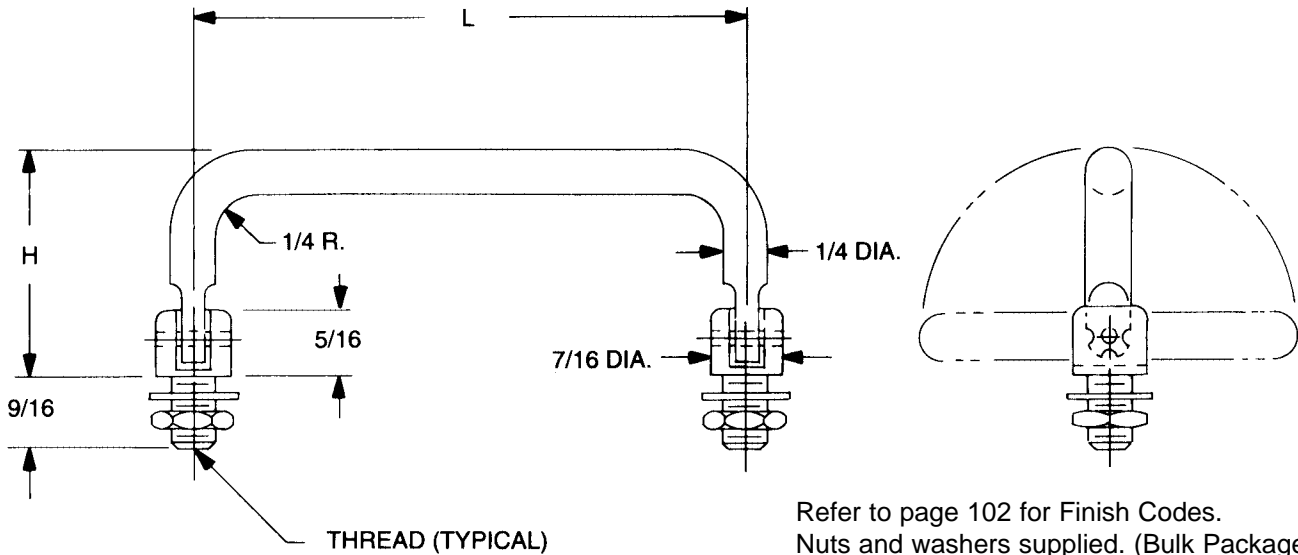
THREAD CODE	
THREAD	CODE
5/16-24	3124
3/8-24	3724

MATERIAL	CODE
Aluminum	A
Brass	B
Stainless Steel	SS
Steel	S

**NOTE:**  
Metric size dimensions and threads available.  
Please contact Sales Office.

5 Pasco Hill Road • Cromwell, CT 06416-1093  
 Phone: 860-828-0847 • Call Toll Free: 800-243-6032 • Fax: 860-828-0381  
 Web Address: <http://www.amatom.com> • E-Mail: [sales@amatom.com](mailto:sales@amatom.com)

## 1/4" ROUND HANDLES EXTERNAL THREADS 180° 3 POSITION



Refer to page 102 for Finish Codes.  
Nuts and washers supplied. (Bulk Package)

PART NO.	L ± 1/64	H ± 1/32
12145	4"	1.430
12146	4-1/4"	
12147	4-1/2"	
12148	5"	
12149	6"	
12150	7"	
12151	8"	
11775	3"	1.460
11776	3-1/2"	
11777	4"	
11778	4-1/4"	
11779	4-1/2"	
11780	5"	
11781	6"	

### PART NUMBER ORDERING SYSTEM

XXXXX - X - XXXX - XX

PART NO.

THREAD

MATERIAL

FINISH

### THREAD CODE

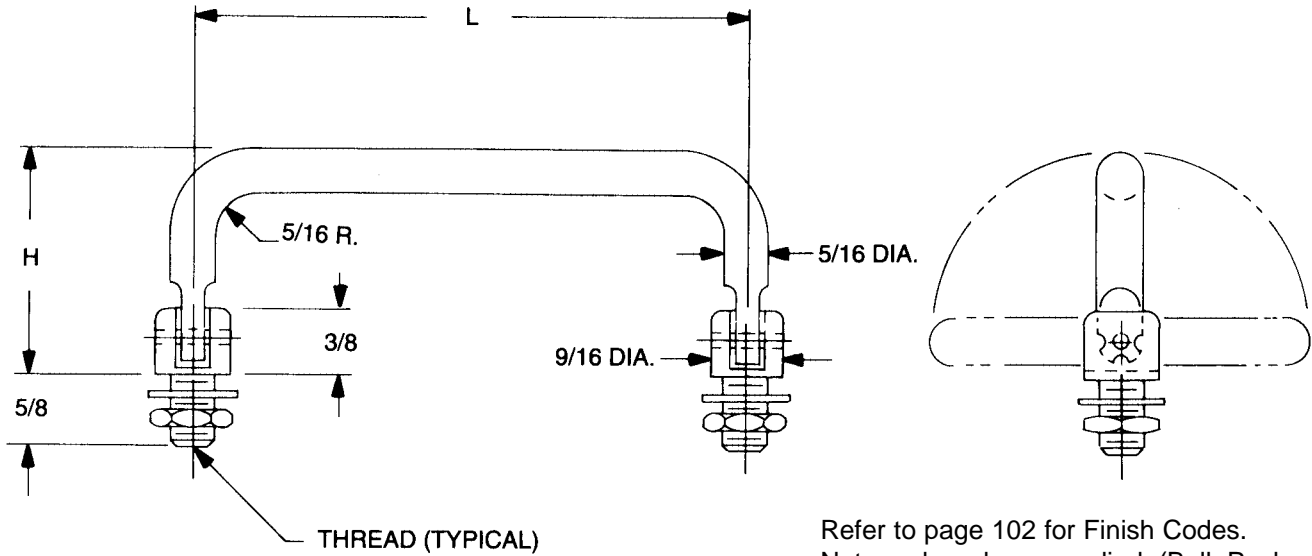
THREAD	CODE
1/4-28	2528
5/16-24	3124

MATERIAL	CODE
Aluminum	A
Brass	B
Stainless Steel	SS
Steel	S

5 Pasco Hill Road • Cromwell, CT 06416-1093  
Phone: 860-828-0847 • Call Toll Free: 800-243-6032 • Fax: 860-828-0381  
Web Address: <http://www.amatom.com> • E-Mail: [sales@amatom.com](mailto:sales@amatom.com)



## 5/16" ROUND HANDLES EXTERNAL THREADS 180° 3 POSITION



Refer to page 102 for Finish Codes.  
Nuts and washers supplied. (Bulk Package)

PART NO.	L ± 1/64	H ± 1/32
12165	4"	
12166	4-1/4	
12167	4-1/2	
12168	5"	1.430
12169	6"	
12170	7"	
12171	8"	
11785	3"	
11786	3-1/2	
11787	4"	
11788	4-1/4	1.530
11789	4-1/2	
11790	5"	
11791	6"	
11795	3"	
11796	3-1/2	
11797	4"	
11798	4-1/4	1.850
11799	4-1/2	
11800	5"	
11801	6"	

### PART NUMBER ORDERING SYSTEM

XXXXX - X - XXXX - XX

PART NO. | THREAD | MATERIAL | FINISH

### THREAD CODE

THREAD	CODE
1/4-28	2528
5/16-24	3124
3/8-24	3724

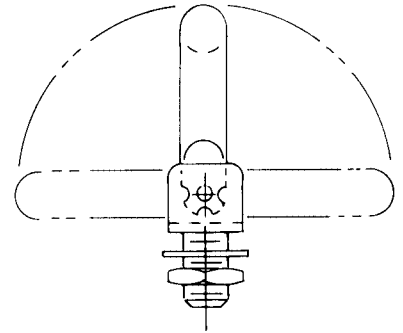
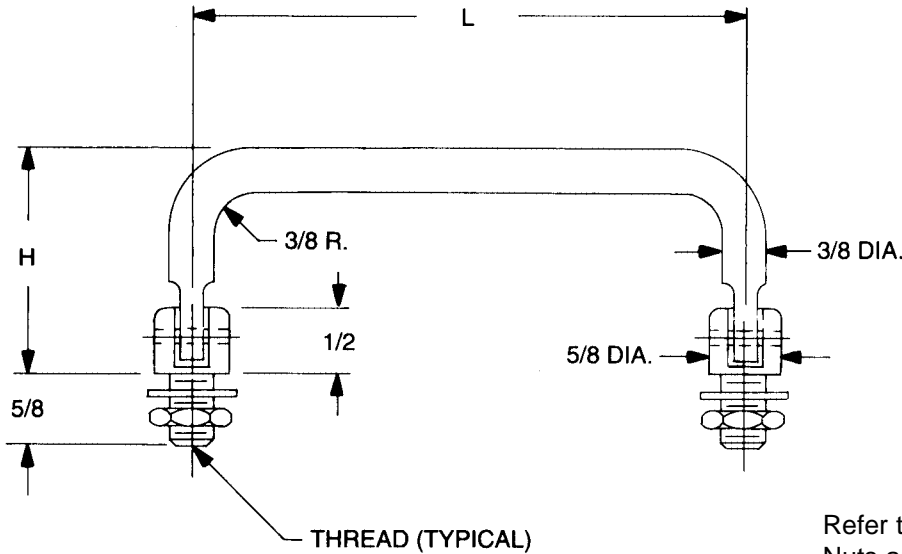
### MATERIAL CODE

MATERIAL	CODE
Aluminum	A
Brass	B
Stainless Steel	SS
Steel	S

**NOTE:**  
Metric size dimensions and threads available.  
Please contact Sales Office.

5 Pasco Hill Road • Cromwell, CT 06416-1093  
Phone: 860-828-0847 • Call Toll Free: 800-243-6032 • Fax: 860-828-0381  
Web Address: <http://www.amatom.com> • E-Mail: [sales@amatom.com](mailto:sales@amatom.com)

## 3/8" ROUND HANDLES EXTERNAL THREADS 180° 3 POSITION



Refer to page 102 for Finish Codes.  
Nuts and washers supplied. (Bulk Package)

PART NO.	L ± 1/64	H ± 1/32
11805	3"	1.530
11806	3-1/2"	
11807	4"	
11808	4-1/4"	
11809	4-1/2"	
11810	5"	
11811	6"	
12175	4"	1.810
12176	4-1/4"	
12177	4-1/2"	
12178	5"	
12179	6"	
12180	7"	
12181	8"	

PART NO.	L ± 1/64	H ± 1/32
11815	3"	1.850
11816	3-1/2"	
11817	4"	
11818	4-1/4"	
11819	4-1/2"	
11820	5"	
11821	6"	
11850	4"	2.375
11851	4-1/4"	
11852	4-1/2"	
11853	5"	
11854	6"	
11855	7"	
11856	8"	

### PART NUMBER ORDERING SYSTEM

XXXXX - X - XXXX - XX

PART NO.

THREAD

MATERIAL

FINISH

### THREAD CODE

THREAD	CODE
5/16-24	3124
3/8-24	3724

MATERIAL	CODE
Aluminum	A
Brass	B
Stainless Steel	SS
Steel	S

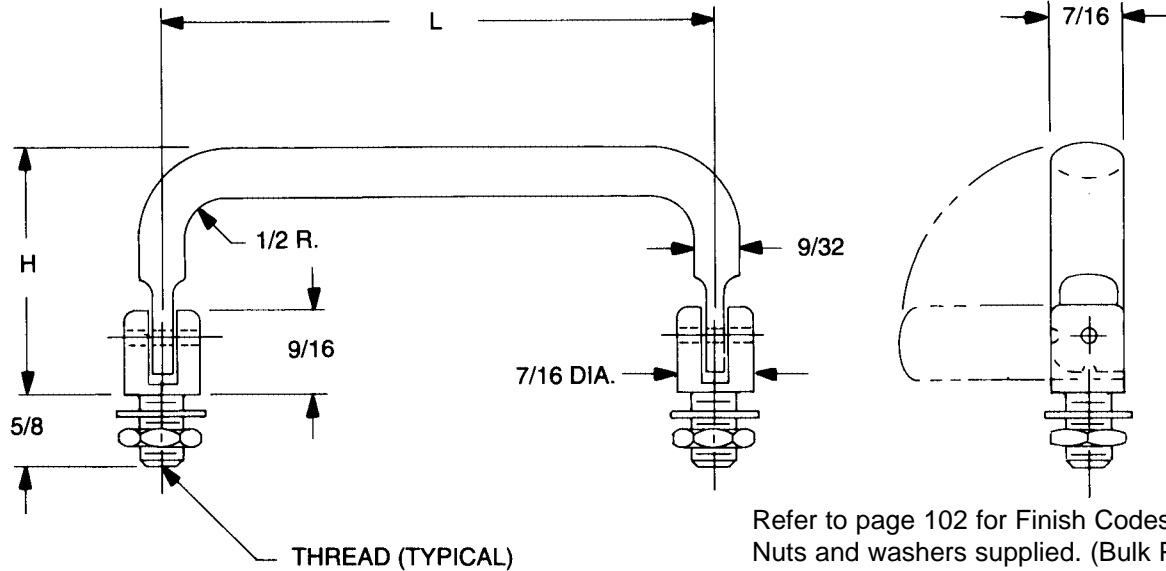
### NOTE:

Metric size dimensions and threads available.

Please contact Sales Office.

5 Pasco Hill Road • Cromwell, CT 06416-1093  
Phone: 860-828-0847 • Call Toll Free: 800-243-6032 • Fax: 860-828-0381  
Web Address: <http://www.amatom.com> • E-Mail: [sales@amatom.com](mailto:sales@amatom.com)

## 7/16" x 9/32" OVAL HANDLES EXTERNAL THREADS 90° 2 POSITION



PART NO.	L ± 1/64	H ± 1/32
12220	3"	
12221	4"	
12222	4-1/4"	1.695
12223	4-1/2"	
12224	5"	
12225	6"	
12226	7"	
12227	8"	
12230	3"	
12231	4"	
12232	4-1/4"	1.791
12233	4-1/2"	
12234	5"	
12235	6"	
12236	7"	
12237	8"	

PART NO.	L ± 1/64	H ± 1/32
12240	3"	
12241	4"	
12242	4-1/4"	1.843
12243	4-1/2"	
12244	5"	
12245	6"	
12246	7"	
12247	8"	
12250	3"	
12251	4"	
12252	4-1/4"	2.125
12253	4-1/2"	
12254	5"	
12255	6"	
12256	7"	
12257	8"	

### PART NUMBER ORDERING SYSTEM

XXXXX - X - XXXX - XX

PART NO.      THREAD

MATERIAL      FINISH

### THREAD CODE

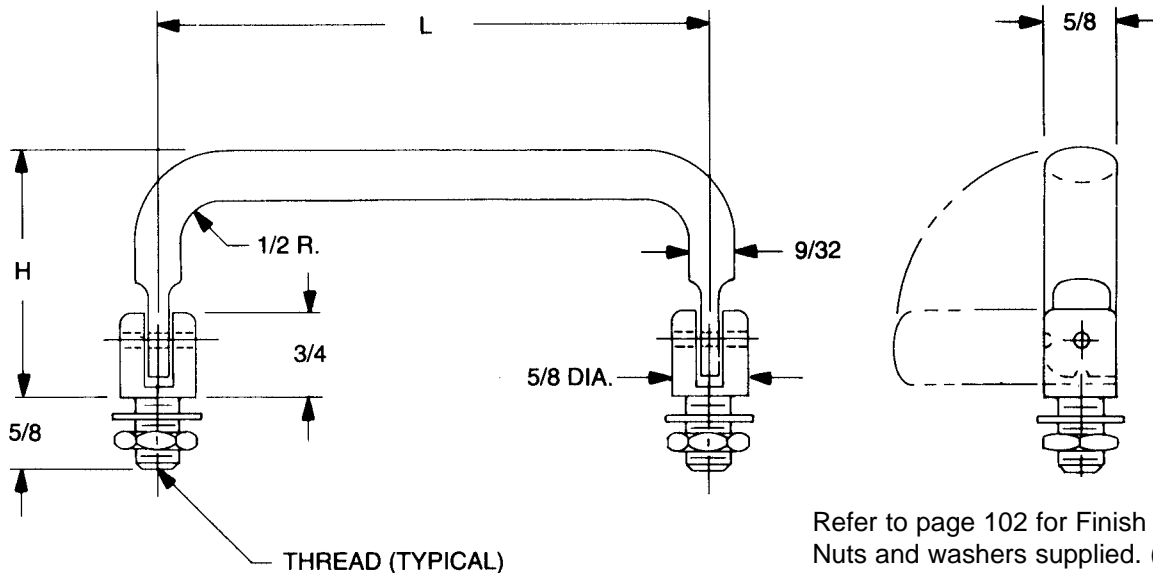
THREAD	CODE
5/16-24	3124
3/8-24	3724

MATERIAL	CODE
Aluminum	A
Brass	B
Stainless Steel	SS

**NOTE:**  
Metric size dimensions and threads available.  
Please contact Sales Office.

5 Pasco Hill Road • Cromwell, CT 06416-1093  
Phone: 860-828-0847 • Call Toll Free: 800-243-6032 • Fax: 860-828-0381  
Web Address: <http://www.amatom.com> • E-Mail: [sales@amatom.com](mailto:sales@amatom.com)

## 5/8" x 9/32" OVAL HANDLES EXTERNAL THREADS 90° 2 POSITION



Refer to page 102 for Finish Codes.  
Nuts and washers supplied. (Bulk Package)

PART NO.	L ± 1/64	H ± 1/32
12350	3"	
12351	4"	
12352	4-1/4"	
12353	4-1/2"	1.695
12354	5"	
12355	6"	
12356	7"	
12357	8"	
12360	3"	
12361	4"	
12362	4-1/4"	
12363	4-1/2"	1.791
12364	5"	
12365	6"	
12366	7"	
12367	8"	

PART NO.	L ± 1/64	H ± 1/32
12370	3"	
12371	4"	
12372	4-1/4"	
12373	4-1/2"	1.843
12374	5"	
12375	6"	
12376	7"	
12377	8"	
12380	3"	
12381	4"	
12382	4-1/4"	
12383	4-1/2"	2.125
12384	5"	
12385	6"	
12386	7"	
12387	8"	

### PART NUMBER ORDERING SYSTEM

XXXXX - X - XXXX - XX

PART NO.      THREAD

MATERIAL      FINISH

### THREAD CODE

THREAD	CODE
5/16-24	3124
3/8-24	3724

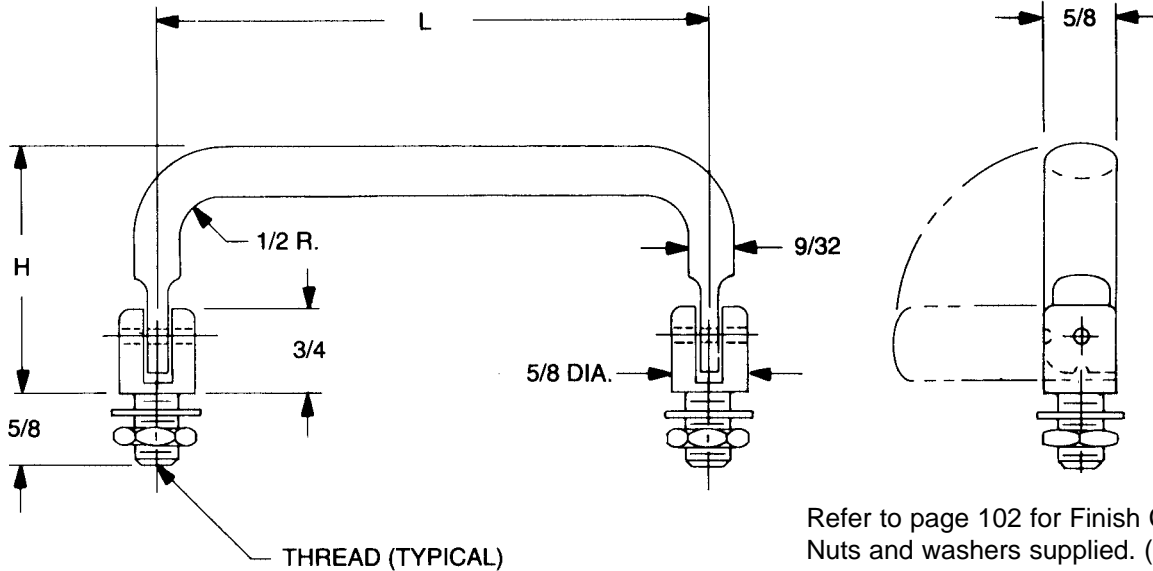
### MATERIAL CODE

MATERIAL	CODE
Aluminum	A
Brass	B
Stainless Steel	SS

**NOTE:**  
Metric size dimensions and threads available.  
Please contact Sales Office.

5 Pasco Hill Road • Cromwell, CT 06416-1093  
Phone: 860-828-0847 • Call Toll Free: 800-243-6032 • Fax: 860-828-0381  
Web Address: <http://www.amatom.com> • E-Mail: [sales@amatom.com](mailto:sales@amatom.com)

## 5/8" x 3/8" OVAL HANDLES EXTERNAL THREADS 90° 2 POSITION



Refer to page 102 for Finish Codes.  
Nuts and washers supplied. (Bulk Package)

### PART NUMBER ORDERING SYSTEM

XXXXX - X - XXXX - XX  
 PART NO.      THREAD  
 MATERIAL      FINISH

### THREAD CODE

THREAD	CODE
5/16-24	3124
3/8-24	3724

### MATERIAL CODE

MATERIAL	CODE
Aluminum	A
Brass	B

PART NO.	L ± 1/64	H ± 1/32
12410	3"	
12411	4"	
12412	4-1/4"	
12413	4-1/2"	1.695
12414	5"	
12415	6"	
12416	7"	
12417	8"	
12420	3"	
12421	4"	
12422	4-1/4"	
12423	4-1/2"	1.791
12424	5"	
12425	6"	
12426	7"	
12427	8"	

PART NO.	L ± 1/64	H ± 1/32
12430	3"	
12431	4"	
12432	4-1/4"	
12433	4-1/2"	1.843
12434	5"	
12435	6"	
12436	7"	
12437	8"	
12440	3"	
12441	4"	
12442	4-1/4"	
12443	4-1/2"	2.125
12444	5"	
12445	6"	
12446	7"	
12447	8"	

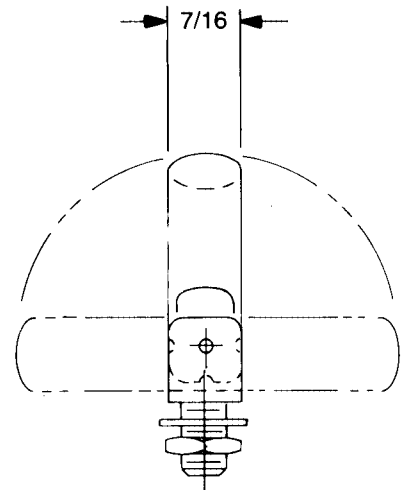
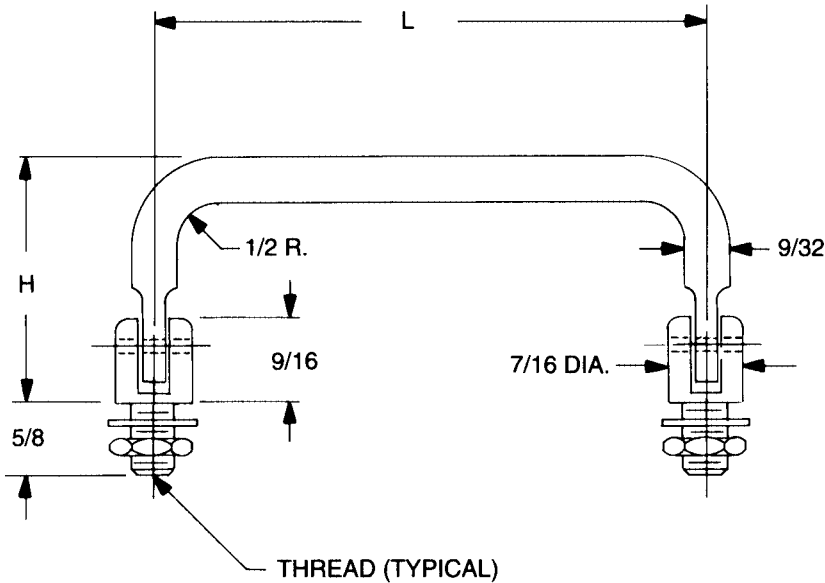
### NOTE:

Metric size dimensions and threads available.

Please contact Sales Office.

5 Pasco Hill Road • Cromwell, CT 06416-1093  
 Phone: 860-828-0847 • Call Toll Free: 800-243-6032 • Fax: 860-828-0381  
 Web Address: <http://www.amatom.com> • E-Mail: [sales@amatom.com](mailto:sales@amatom.com)

## 7/16" x 9/32" OVAL HANDLES EXTERNAL THREADS 180° 3 POSITION



Refer to page 102 for Finish Codes.  
Nuts and washers supplied. (Bulk Package)

### PART NUMBER ORDERING SYSTEM

XXXXX - X - XXXX - XX

PART NO.

THREAD

MATERIAL

FINISH

### THREAD CODE

THREAD	CODE
5/16-24	3124
3/8-24	3724

### MATERIAL

### CODE

Aluminum

A

Brass

B

Stainless Steel

SS

### NOTE:

Metric size dimensions and threads available.

Please contact Sales Office.

PART NO.	L ± 1/64	H ± 1/32
12475	3"	1.695
12476	4"	
12477	4-1/4"	
12478	4-1/2"	
12479	5"	
12480	6"	
12481	7"	
12482	8"	
12485	3"	1.791
12486	4"	
12487	4-1/4"	
12488	4-1/2"	
12489	5"	
12490	6"	
12491	7"	
12492	8"	

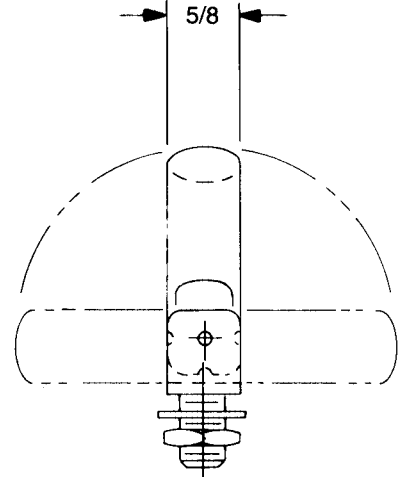
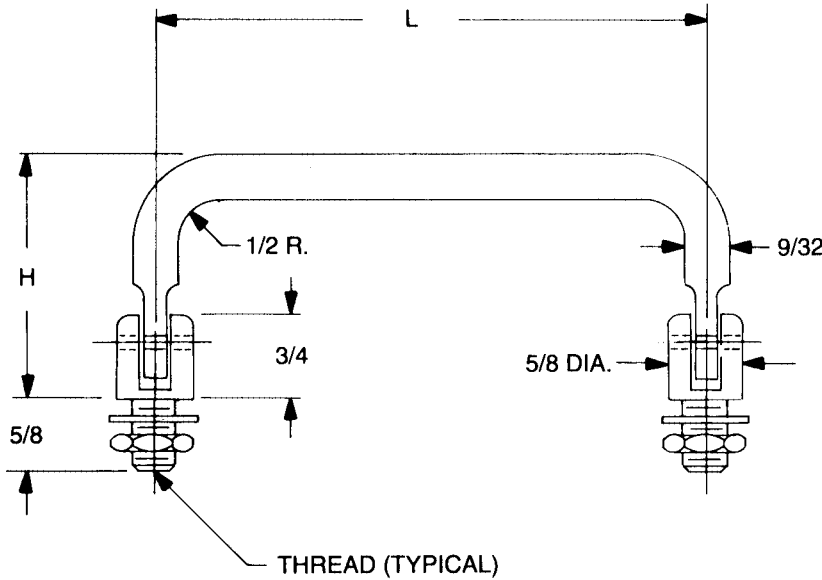
PART NO.	L ± 1/64	H ± 1/32
12495	3"	1.843
12496	4"	
12497	4-1/4"	
12498	4-1/2"	
12499	5"	
12500	6"	
12501	7"	
12502	8"	
12505	3"	2.125
12506	4"	
12507	4-1/4"	
12508	4-1/2"	
12509	5"	
12510	6"	
12511	7"	
12512	8"	

5 Pasco Hill Road • Cromwell, CT 06416-1093

Phone: 860-828-0847 • Call Toll Free: 800-243-6032 • Fax: 860-828-0381

Web Address: <http://www.amatom.com> • E-Mail: [sales@amatom.com](mailto:sales@amatom.com)

### 5/8" x 9/32" OVAL HANDLES EXTERNAL THREADS 180° 3 POSITION



Refer to page 102 for Finish Codes.  
Nuts and washers supplied. (Bulk Package)

PART NO.	L ± 1/64	H ± 1/32
12610	3"	
12611	4"	
12612	4-1/4"	
12613	4-1/2"	1.695
12614	5"	
12615	6"	
12616	7"	
12617	8"	
12620	3"	
12621	4"	
12622	4-1/4"	
12623	4-1/2"	1.791
12624	5"	
12625	6"	
12626	7"	
12627	8"	

PART NO.	L ± 1/64	H ± 1/32
12630	3"	
12631	4"	
12632	4-1/4"	
12633	4-1/2"	1.843
12634	5"	
12635	6"	
12636	7"	
12637	8"	
12640	3"	
12641	4"	
12642	4-1/4"	
12643	4-1/2"	2.125
12644	5"	
12645	6"	
12646	7"	
12647	8"	

#### PART NUMBER ORDERING SYSTEM

XXXXX - X - XXXX - XX

PART NO.

THREAD

MATERIAL

FINISH

#### THREAD CODE

THREAD	CODE
5/16-24	3124
3/8-24	3724

#### MATERIAL

#### CODE

Aluminum	A
Brass	B

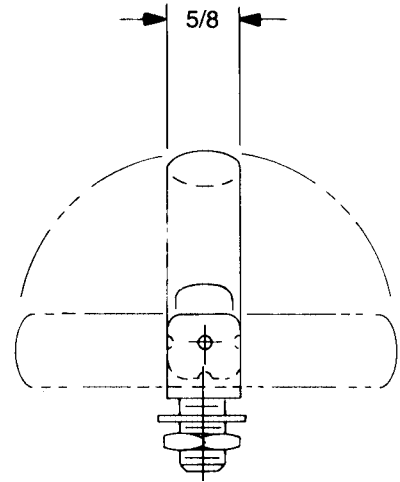
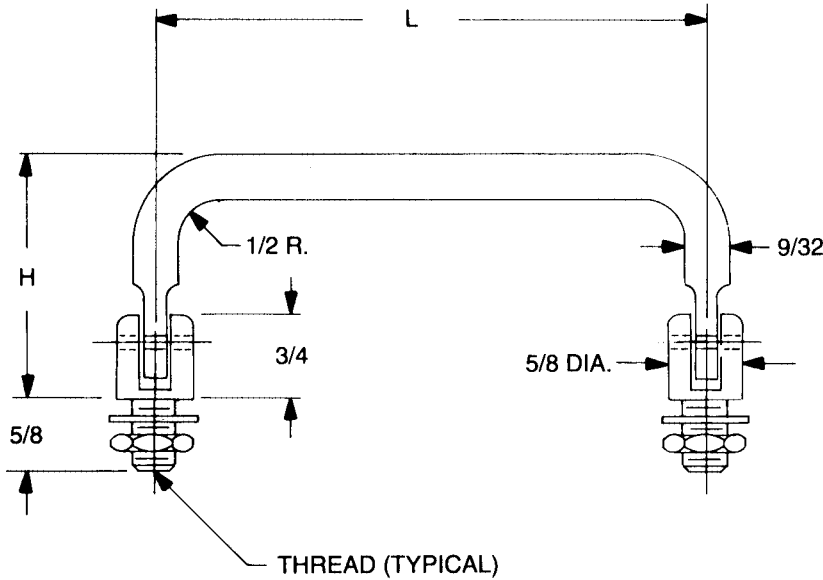
#### NOTE:

Metric size dimensions and threads available.

Please contact Sales Office.

5 Pasco Hill Road • Cromwell, CT 06416-1093  
Phone: 860-828-0847 • Call Toll Free: 800-243-6032 • Fax: 860-828-0381  
Web Address: <http://www.amatom.com> • E-Mail: [sales@amatom.com](mailto:sales@amatom.com)

## 5/8" x 3/8" OVAL HANDLES EXTERNAL THREADS 180° 3 POSITION



Refer to page 102 for Finish Codes.  
Nuts and washers supplied. (Bulk Package)

PART NO.	L ± 1/64	H ± 1/32
12670	3"	
12671	4"	
12672	4-1/4"	
12673	4-1/2"	1.695
12674	5"	
12675	6"	
12676	7"	
12677	8"	
12680	3"	
12681	4"	
12682	4-1/4"	
12683	4-1/2"	1.791
12684	5"	
12685	6"	
12686	7"	
12687	8"	

PART NO.	L ± 1/64	H ± 1/32
12690	3"	
12691	4"	
12692	4-1/4"	
12693	4-1/2"	1.843
12694	5"	
12695	6"	
12696	7"	
12697	8"	
12700	3"	
12701	4"	
12702	4-1/4"	
12703	4-1/2"	2.125
12704	5"	
12705	6"	
12706	7"	
12707	8"	

### PART NUMBER ORDERING SYSTEM

XXXXX - X - XXXX - XX

PART NO.

THREAD

MATERIAL

FINISH

### THREAD CODE

THREAD	CODE
5/16-24	3124
3/8-24	3724

### MATERIAL CODE

MATERIAL	CODE
Aluminum	A
Brass	B

### NOTE:

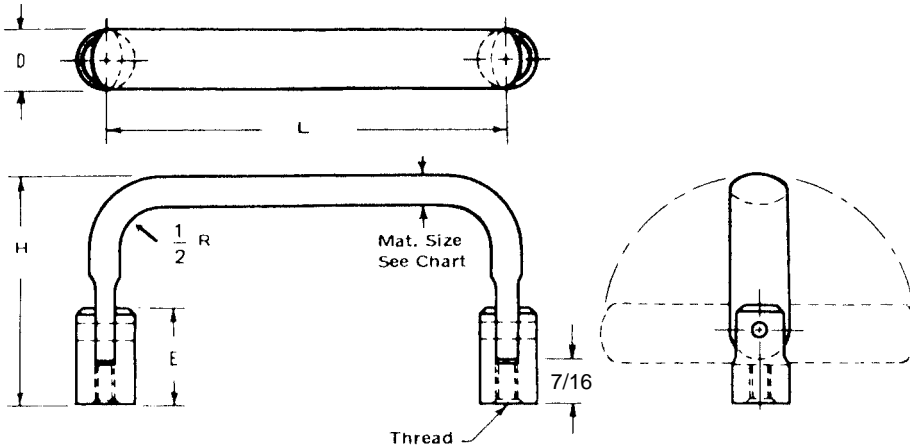
Metric size dimensions and threads available.

Please contact Sales Office.

5 Pasco Hill Road • Cromwell, CT 06416-1093  
 Phone: 860-828-0847 • Call Toll Free: 800-243-6032 • Fax: 860-828-0381  
 Web Address: <http://www.amatom.com> • E-Mail: [sales@amatom.com](mailto:sales@amatom.com)



## 7/16" x 9/32" OVAL HANDLES INTERNAL THREADS 180° INFINITE POSITION



- Custom or Special Handles to meet specific requirements can be supplied.
- Tolerances see page 101.
- Refer to page 102 for Finish Codes.

PART NO.	L ± 1/64	H ± 1/32
12740	2"	2"
12741	3"	
12742	4"	
12743	5"	
12744	6"	
12745	7"	
12746	8"	
12750	2"	2-1/2
12751	3"	
12752	4"	
12753	5"	
12754	6"	
12755	7"	
12756	8"	
12760	2"	3"
12761	3"	
12762	4"	
12763	5"	
12764	6"	
12765	7"	
12766	8"	

**PART NUMBER ORDERING SYSTEM**

XXXXX - X - XXXX - XX

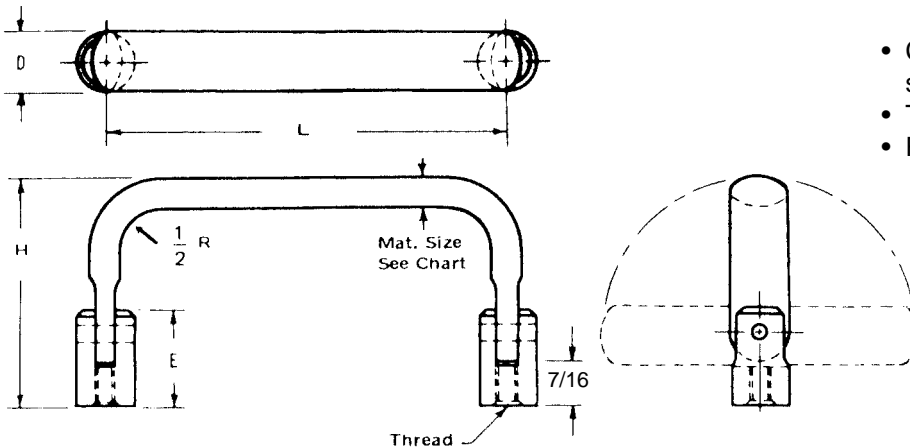
PART NO. | THREAD | MATERIAL | FINISH

THREAD CODE	
THREAD	CODE
8-32	0832
10-32	1032

MATERIAL	CODE
Aluminum	A
Brass	B
Stainless Steel	SS

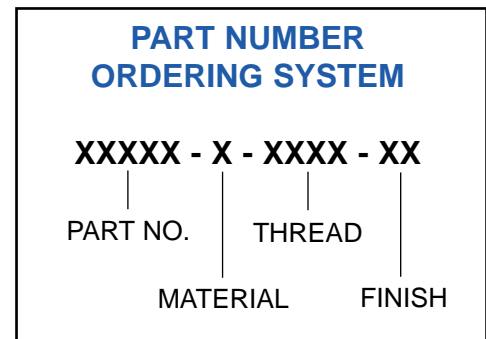
**NOTE:**  
Metric size dimensions and threads available.  
Please contact Sales Office.

## 5/8" x 9/32" OVAL HANDLES INTERNAL THREADS 180° INFINITE POSITION



- Custom or Special Handles to meet specific requirements can be supplied.
- Tolerances see page 101.
- Refer to page 102 for Finish Codes.

PART NO.	L ± 1/64	H ± 1/32
12840	2"	2"
12841	3"	
12842	4"	
12843	5"	
12844	6"	
12845	7"	
12846	8"	2-1/2
12850	2"	
12851	3"	
12852	4"	
12853	5"	
12854	6"	
12855	7"	3"
12856	8"	
12860	2"	
12861	3"	
12862	4"	
12863	5"	
12864	6"	
12865	7"	
12866	8"	



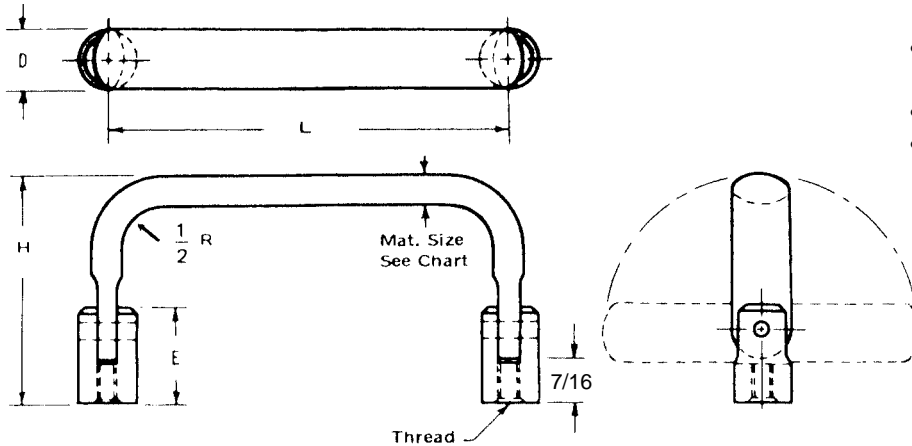
THREAD CODE	
THREAD	CODE
8-32	0832
10-32	1032

MATERIAL	CODE
Aluminum	A
Brass	B
Stainless Steel	SS

**NOTE:**  
Metric size dimensions and threads available.  
Please contact Sales Office.

5 Pasco Hill Road • Cromwell, CT 06416-1093  
 Phone: 860-828-0847 • Call Toll Free: 800-243-6032 • Fax: 860-828-0381  
 Web Address: <http://www.amatom.com> • E-Mail: [sales@amatom.com](mailto:sales@amatom.com)

## 5/8" x 3/8" OVAL HANDLES INTERNAL THREADS 180° INFINITE POSITION



- Custom or Special Handles to meet specific requirements can be supplied.
- Tolerances see page 101.
- Refer to page 102 for Finish Codes.

PART NO.	L ± 1/64	H ± 1/32
12890	2"	2"
12891	3"	
12892	4"	
12893	5"	
12894	6"	
12895	7"	
12896	8"	
12900	2"	2-1/2
12901	3"	
12902	4"	
12903	5"	
12904	6"	
12905	7"	
12906	8"	
12910	2"	3"
12911	3"	
12912	4"	
12913	5"	
12914	6"	
12915	7"	
12916	8"	

**PART NUMBER ORDERING SYSTEM**

**XXXXX - X - XXXX - XX**

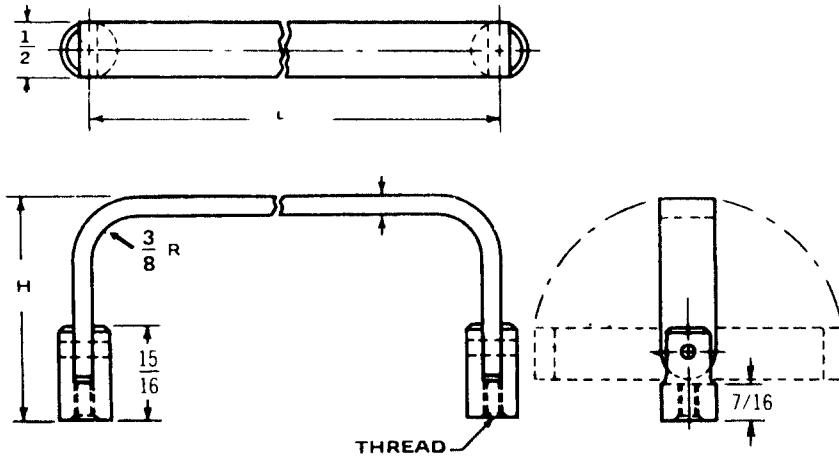
PART NO.	MATERIAL	THREAD	FINISH

THREAD CODE	
THREAD	CODE
8-32	0832
10-32	1032

MATERIAL	CODE
Aluminum	A
Brass	B

**NOTE:**  
Metric size dimensions and threads available.  
Please contact Sales Office.

## 1/2" x 3/16" RECTANGULAR HANDLES INTERNAL THREADS 180° INFINITE POSITION



PART NO.	L ± 1/64	H ± 1/32
13020	3"	1-1/2
13021	3-3/4	
13022	4"	
13023	4-1/4	
13024	4-1/2	
13025	5"	
13026	5-1/2	
13027	6"	
13028	7"	
13029	8"	
13030	9"	
13031	10"	
13050	3"	2-1/16
13051	3-3/4	
13052	4"	
13053	4-1/4	
13054	4-1/2	
13055	5"	
13056	5-1/2	
13057	6"	
13058	7"	
13059	8"	
13060	9"	
13061	10"	

PART NO.	L ± 1/64	H ± 1/32
13035	3"	2"
13036	3-3/4	
13037	4"	
13038	4-1/4	
13039	4-1/2	
13040	5"	
13041	5-1/2	
13042	6"	
13044	8"	
13045	9"	
13046	10"	
13065	3"	2-1/2
13066	3-3/4	
13067	4"	
13068	4-1/4	
13069	4-1/2	
13070	5"	
13071	5-1/2	
13072	6"	
13073	7"	
13074	8"	
13075	9"	
13076	10"	

**PART NUMBER ORDERING SYSTEM**

XXXXX - X - XXXX - XX

|  
 PART NO.      |      THREAD  
 |  
 MATERIAL      |      FINISH

THREAD CODE	
THREAD	CODE
8-32	0832
10-32	1032

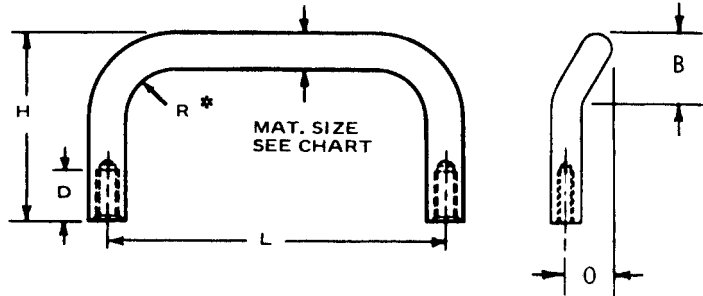
MATERIAL	CODE
Aluminum	A
Brass	B
Stainless Steel	SS

**NOTE:**  
Metric size dimensions and threads available.  
Please contact Sales Office.

5 Pasco Hill Road • Cromwell, CT 06416-1093  
 Phone: 860-828-0847 • Call Toll Free: 800-243-6032 • Fax: 860-828-0381  
 Web Address: <http://www.amatom.com> • E-Mail: [sales@amatom.com](mailto:sales@amatom.com)

## 3/16" ROUND HANDLES OFFSET TYPE INTERNAL THREADS

DIA. ROD	OFFSET	OFFSET LGTH.
3/16	$0 \pm 1/16$	$B \pm 3/32$
	5/16	9/16



- Custom or Special Handles to meet specific requirements can be supplied.
- Tolerances see page 101.
- Refer to page 102 for Finish Codes.
- Depth of Thread (D) see Chart B page 101.
- Radius is approx. same as O.D. of material.

**PART NUMBER ORDERING SYSTEM**

**XXXXX - X - XXXX - XX**

PART NO.	MATERIAL	THREAD	FINISH

PART NO.	L $\pm 1/64$	H $\pm 1/32$
13110	2"	1"
13111	3"	
13112	4"	
13113	4-1/2"	
13114	5"	
13115	6"	
13120	2"	1-1/2"
13121	3"	
13122	4"	
13123	4-1/2"	
13124	5"	
13125	6"	

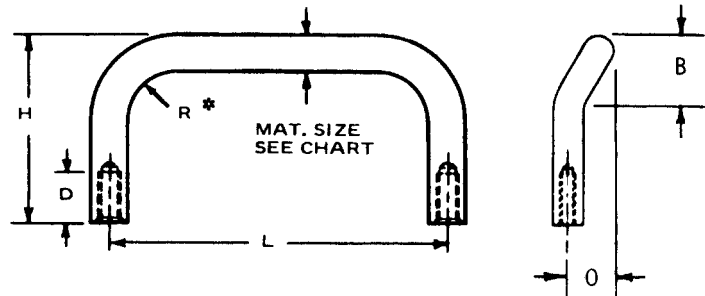
THREAD CODE	
THREAD	CODE
4-40	0440
6-32	0632

MATERIAL	CODE
Aluminum	A
Brass	B
Stainless Steel	SS
Steel	S

**NOTE:**  
Metric size dimensions and threads available.  
Please contact Sales Office.

## 1/4" ROUND HANDLES OFFSET TYPE INTERNAL THREADS

DIA. ROD	OFFSET $0 \pm 1/16$	OFFSET LGTH. $B \pm 3/32$
1/4	3/8	11/16



- Custom or Special Handles to meet specific requirements can be supplied.
- Tolerances see page 101.
- Refer to page 102 for Finish Codes.
- Depth of Thread (D) see Chart B page 101.
- Radius is approx. same as O.D. of material.

**PART NUMBER ORDERING SYSTEM**

**XXXXX - X - XXXX - XX**

PART NO.	MATERIAL	THREAD	FINISH

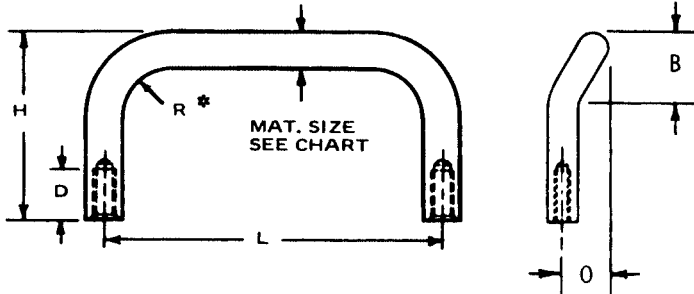
PART NO.	L $\pm 1/64$	H $\pm 1/32$
13155	2"	1"
13156	3"	
13157	4"	
13158	4-1/2"	
13159	5"	
13160	6"	
13165	2"	1-1/2"
13166	3"	
13167	4"	
13168	4-1/2"	
13169	5"	
13170	5-1/2"	
13171	6"	
13175	2"	2"
13176	3"	
13177	4"	
13178	4-1/2"	
13179	5"	
13180	6"	

THREAD CODE	
THREAD	CODE
6-32	0632
8-32	0832

MATERIAL	CODE
Aluminum	A
Brass	B
Stainless Steel	SS
Steel	S

**NOTE:**  
Metric size dimensions and threads available.  
Please contact Sales Office.

## 5/16" ROUND HANDLES OFFSET TYPE INTERNAL THREADS



DIA. ROD	OFFSET	OFFSET LGTH.
5/16	0 ± 1/16	B ± 3/32
	1/2	7/8

- Custom or Special Handles to meet specific requirements can be supplied.
- Tolerances see page 101.
- Refer to page 102 for Finish Codes.
- Depth of Thread (D) see Chart B page 101.
- Radius is approx. same as O.D. of material.

PART NO.	L ± 1/64	H ± 1/32
13210	2"	
13211	2-1/2	
13212	3"	1-5/16
13213	4"	
13214	5"	
13215	6"	
13220	3"	
13221	4"	
13222	4-1/4	
13223	4-1/2	
13224	4-9/16	
13225	5"	1-1/2
13226	5-1/2	
13227	6"	
13228	7"	
13229	8"	
13230	9"	
13231	10"	
13235	3"	
13236	4"	
13237	4-1/4	
13238	4-1/2	
13239	4-9/16	
13240	5"	
13241	5-1/2	1-3/4
13242	6"	
13243	6-1/2	
13244	7"	
13245	8"	
13246	9"	
13247	10"	

PART NO.	L ± 1/64	H ± 1/32
13250	3"	
13251	4"	
13252	4-1/4	
13253	4-1/2	
13254	4-9/16	
13255	5"	
13256	5-1/2	2"
13257	6"	
13258	6-1/2	
13259	7"	
13260	8"	
13261	9"	
13262	10"	
13265	3"	
13266	4"	
13267	4-1/4	
13268	4-1/2	
13269	4-9/16	
13270	5"	
13271	5-1/2	2-1/2
13272	6"	
13273	6-1/2	
13274	7"	
13275	8"	
13276	9"	
13277	10"	

**PART NUMBER ORDERING SYSTEM**

**XXXXX - X - XXXX - XX**

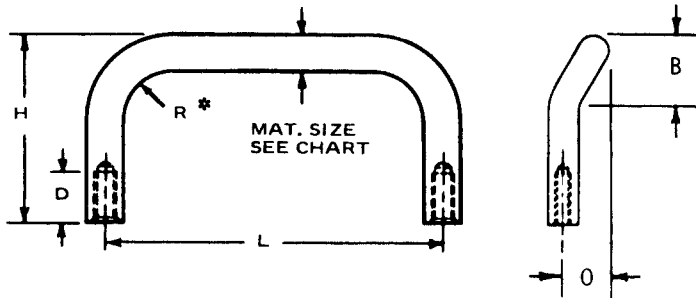
PART NO.	THREAD	FINISH
	MATERIAL	

THREAD CODE	
THREAD	CODE
8-32	0832
10-32	1032

MATERIAL	CODE
Aluminum	A
Brass	B
Stainless Steel	SS
Steel	S

**NOTE:**  
Metric size dimensions and threads available.  
Please contact Sales Office.

## 3/8" ROUND HANDLES OFFSET TYPE INTERNAL THREADS



DIA. ROD	OFFSET 0 ± 1/16	OFFSET LGTH. B ± 3/32
3/8	5/8	1-1/16

- Custom or Special Handles to meet specific requirements can be supplied.
- Tolerances see page 101.
- Refer to page 102 for Finish Codes.
- Depth of Thread (D) see Chart B page 101.
- Radius is approx. same as O.D. of material.

PART NO.	L ± 1/64	H ± 1/32
13310	3"	1-3/4
13311	4"	
13312	4-1/4	
13313	4-1/2	
13314	4-9/16	
13315	5"	
13316	5-1/2	
13317	6"	
13318	6-1/2	
13319	7"	
13320	8"	
13321	9"	
13322	10"	
13325	3"	2"
13326	4"	
13327	4-1/4	
13328	4-1/2	
13329	4-9/16	
13330	5"	
13331	5-1/2	
13332	6"	
13333	6-1/2	
13334	7"	
13335	8"	
13336	9"	
13337	10"	

PART NO.	L ± 1/64	H ± 1/32
13340	3"	2-1/2
13341	4"	
13342	4-1/4	
13343	4-1/2	
13344	4-9/16	
13345	5"	
13346	5-1/2	
13347	6"	
13348	6-1/2	
13349	7"	
13350	8"	
13351	9"	
13352	10"	

**PART NUMBER ORDERING SYSTEM**

**XXXXX - X - XXXX - XX**

PART NO.	THREAD	FINISH
MATERIAL		FINISH

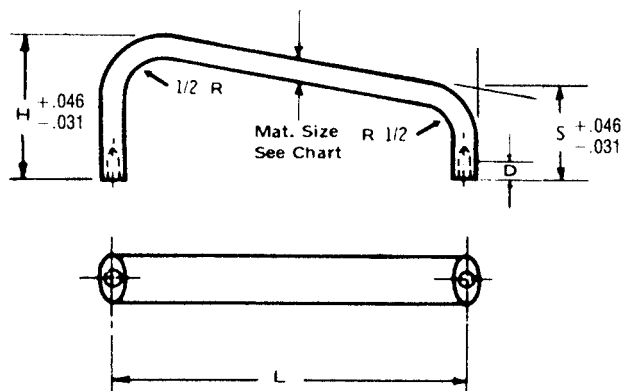
THREAD CODE	
THREAD	CODE
8-32	0832
10-32	1032

MATERIAL	CODE
Aluminum	A
Brass	B
Stainless Steel	SS
Steel	S

**NOTE:**  
Metric size dimensions and threads available.  
Please contact Sales Office.



## 7/16" x 9/32" OVAL SLANTED TYPE INTERNAL THREADS



NOTE: DEPTH OF THREAD (D): Where "S" is 1" high and under, thread will be 3/8 deep, both legs. "S" will be constant at 1/2" less than "H".

PART NO.	L ± 1/64	H ± 1/32
13385	3"	1-1/2
13386	3-1/2"	
13387	4"	
13388	4-9/16"	
13389	5"	
13390	6"	
13391	6-7/16"	
13392	7"	
13393	8"	
13394	9"	
13395	10"	
13400	3"	1-5/8
13401	3-1/2"	
13402	4"	
13403	4-9/16"	
13404	5"	
13405	6"	
13406	6-7/16"	
13407	7"	
13408	8"	
13409	9"	
13410	10"	

PART NO.	L ± 1/64	H ± 1/32
13415	3"	1-3/4
13416	3-1/2"	
13417	4"	
13418	4-9/16"	
13419	5"	
13420	6"	
13421	6-7/16"	
13422	7"	
13423	8"	
13424	9"	
13425	10"	
13430	3"	2"
13431	3-1/2"	
13432	4"	
13433	4-9/16"	
13434	5"	
13435	6"	
13436	6-7/16"	
13437	7"	
13438	8"	
13439	9"	
13440	10"	

**PART NUMBER ORDERING SYSTEM**

XXXXX - X - XXXX - XX

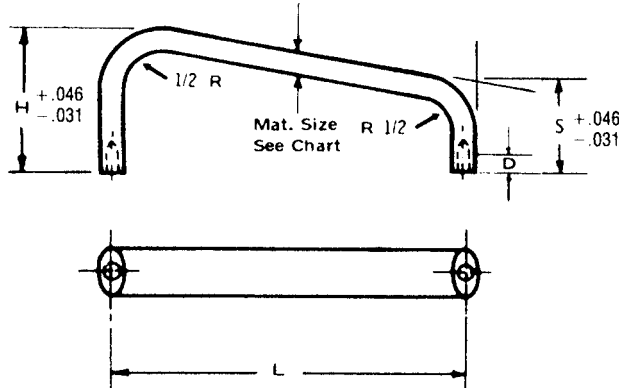
|  
 PART NO.      |      THREAD  
 |  
 MATERIAL      |      FINISH

THREAD CODE	
THREAD	CODE
10-24	1024
10-32	1032

MATERIAL	CODE
Aluminum	A
Brass	B
Stainless Steel	SS

**NOTE:**  
Metric size dimensions and threads available.  
Please contact Sales Office.

## 5/8" x 9/32" OVAL SLANTED TYPE INTERNAL THREADS



NOTE: DEPTH OF THREAD (D): Where "S" is 1" high and under, thread will be 3/8 deep, both legs. "S" will be constant at 1/2" less than "H".

PART NO.	L ± 1/64	H ± 1/32
13470	3"	
13471	3-1/2	
13472	4"	
13473	4-9/16	
13474	5"	1-1/2
13475	6"	
13476	6-7/16	
13477	7"	
13478	8"	
13479	9"	
13480	10"	
13485	3"	
13486	3-1/2	
13487	4"	
13488	4-9/16	
13489	5"	1-5/8
13490	6"	
13491	6-7/16	
13492	7"	
13493	8"	
13494	9"	
13495	10"	
13500	3"	
13501	3-1/2	
13502	4"	
13503	4-9/16	
13504	5"	1-3/4
13505	6"	
13506	6-7/16	
13507	7"	
13508	8"	
13509	9"	
13510	10"	

PART NO.	L ± 1/64	H ± 1/32
13515	3"	
13516	3-1/2	
13517	4"	
13518	4-9/16	
13519	5"	1-7/8
13520	6"	
13521	6-7/16	
13522	7"	
13523	8"	
13524	9"	
13525	10"	
13530	3"	
13531	3-1/2	
13532	4"	
13533	4-9/16	
13534	5"	2"
13535	6"	
13536	6-7/16	
13537	7"	
13538	8"	
13539	9"	
13540	10"	

### PART NUMBER ORDERING SYSTEM

XXXXX - X - XXXX - XX  
 |                    |                    |  
 PART NO.            THREAD            MATERIAL            FINISH

### THREAD CODE

THREAD	CODE
10-24	1024
10-32	1032

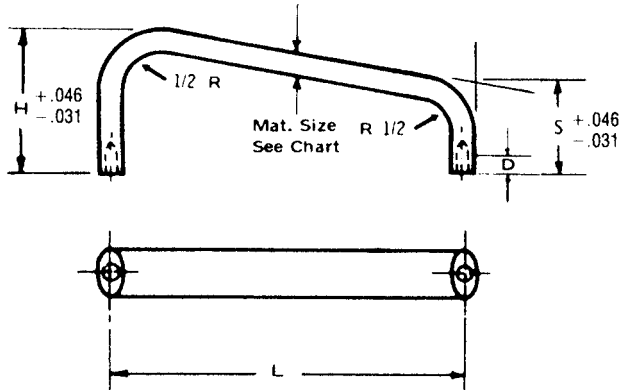
### MATERIAL CODE

MATERIAL	CODE
Aluminum	A
Brass	B
Stainless Steel	SS

NOTE:  
Metric size dimensions and threads available.  
Please contact Sales Office.

5 Pasco Hill Road • Cromwell, CT 06416-1093  
 Phone: 860-828-0847 • Call Toll Free: 800-243-6032 • Fax: 860-828-0381  
 Web Address: <http://www.amatom.com> • E-Mail: [sales@amatom.com](mailto:sales@amatom.com)

## 5/8" x 3/8" OVAL SLANTED TYPE INTERNAL THREADS



NOTE: DEPTH OF THREAD (D): Where "S" is 1" high and under, thread will be 3/8 deep, both legs. "S" will be constant at 1/2" less than "H".

PART NO.	L ± 1/64	H ± 1/32
13570	3"	1-1/2
13571	3-1/2"	
13572	4"	
13573	4-9/16"	
13574	5"	
13575	6"	
13576	6-7/16"	
13577	7"	
13578	8"	
13579	9"	
13580	10"	
13590	3"	1-5/8
13591	3-1/2"	
13592	4"	
13593	4-9/16"	
13594	5"	
13595	6"	
13596	6-7/16"	
13597	7"	
13598	8"	
13599	9"	
13600	10"	

PART NO.	L ± 1/64	H ± 1/32
13605	3"	1-3/4
13606	3-1/2"	
13607	4"	
13608	4-9/16"	
13609	5"	
13610	6"	
13611	6-7/16"	
13612	7"	
13613	8"	
13614	9"	
13615	10"	
13620	3"	2"
13621	3-1/2"	
13622	4"	
13623	4-9/16"	
13624	5"	
13625	6"	
13626	6-7/16"	
13627	7"	
13628	8"	
13629	9"	
13630	10"	

**PART NUMBER ORDERING SYSTEM**

XXXXX - X - XXXX - XX

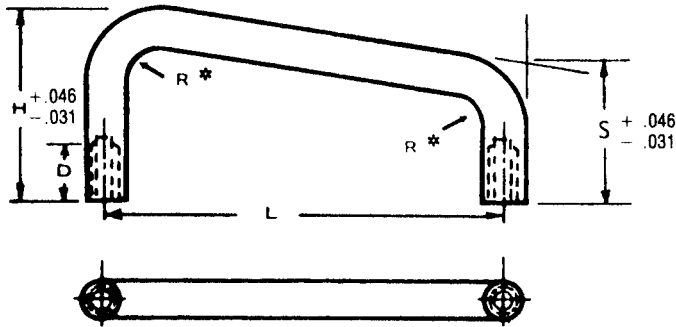
|  
 PART NO. | THREAD  
 |  
 MATERIAL | FINISH

THREAD CODE	
THREAD	CODE
10-24	1024
10-32	1032

MATERIAL	CODE
Aluminum	A
Brass	B

**NOTE:**  
Metric size dimensions and threads available.  
Please contact Sales Office.

## 5/16" ROUND HANDLES SLANTED TYPE INTERNAL THREADS



NOTE: DEPTH OF THREAD (D): Where "S" is 1" high and under, thread will be 3/8 deep, both legs. "S" will be constant at 1/2" less than "H". Radius is approx. same as O.D. of material.

PART NO.	L ± 1/64	H ± 1/32
13655	3"	
13656	3-1/2"	
13657	4"	
13658	4-9/16"	1-1/2"
13659	5"	
13660	6"	
13661	6-7/16"	
13662	7"	
13665	3"	
13666	3-1/2"	
13667	4"	
13668	4-9/16"	1-5/8"
13669	5"	
13670	6"	
13671	6-7/16"	
13672	7"	

PART NO.	L ± 1/64	H ± 1/32
13675	3"	
13676	3-1/2"	
13677	4"	
13678	4-9/16"	1-3/4"
13679	5"	
13680	6"	
13681	6-7/16"	
13682	7"	
13685	3"	
13686	3-1/2"	
13687	4"	
13688	4-9/16"	2"
13689	5"	
13690	6"	
13691	6-7/16"	
13692	7"	

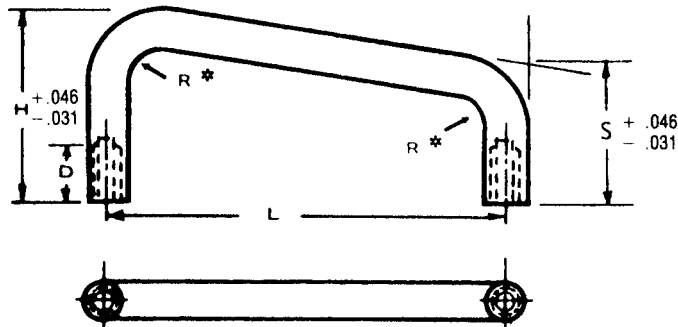
PART NUMBER ORDERING SYSTEM			
XXXXX - X - XXXX - XX			
PART NO.	THREAD		FINISH
MATERIAL		FINISH	

THREAD CODE	
THREAD	CODE
8-32	0832
10-32	1032

MATERIAL	CODE
Aluminum	A
Brass	B
Stainless Steel	SS

**NOTE:**  
Metric size dimensions and threads available.  
Please contact Sales Office.

## 3/8" ROUND HANDLES SLANTED TYPE INTERNAL THREADS



NOTE: DEPTH OF THREAD (D): Where "S" is 1" high and under, thread will be 3/8 deep, both legs. "S" will be constant at 1/2" less than "H". Radius is approx. same as O.D. of material.

PART NO.	L ± 1/64	H ± 1/32
13695	3"	1-1/2
13696	3-1/2	
13697	4"	
13698	4-9/16	
13699	5"	
13700	6"	
13701	6-7/16	
13702	7"	
13705	3"	1-5/8
13706	3-1/2	
13707	4"	
13708	4-9/16	
13709	5"	
13710	6"	
13711	6-7/16	
13712	7"	

PART NO.	L ± 1/64	H ± 1/32
13715	3"	1-3/4
13716	3-1/2	
13717	4"	
13718	4-9/16	
13719	5"	
13720	6"	
13721	6-7/16	
13722	7"	
13725	3"	2"
13726	3-1/2	
13727	4"	
13728	4-9/16	
13729	5"	
13730	6"	
13731	6-7/16	
13732	7"	

**PART NUMBER ORDERING SYSTEM**

XXXXX - X - XXXX - XX

|  
 PART NO. | THREAD  
 |  
 MATERIAL | FINISH

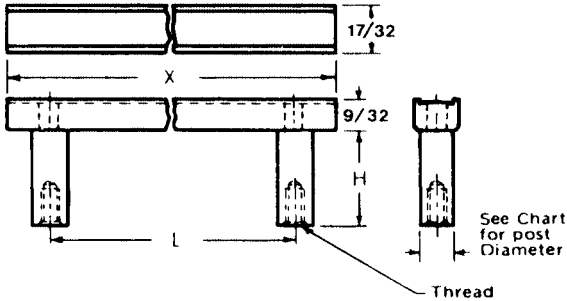
THREAD CODE	
THREAD	CODE
8-32	0832
10-32	1032

MATERIAL	CODE
Aluminum	A
Brass	B
Stainless Steel	SS

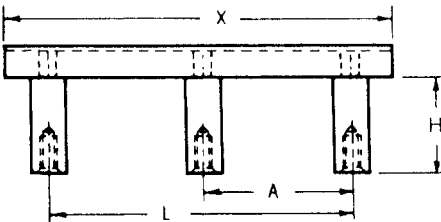
**NOTE:**  
Metric size dimensions and threads available.  
Please contact Sales Office.

## 17/32" X 9/32" BAR HANDLES EXTRUSION INTERNAL THREADS ANODIZED ALUMINUM STRIPS

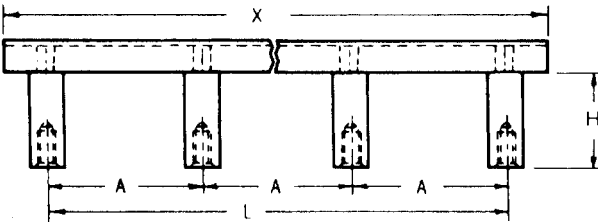
### STYLE 1



### STYLE 2



### STYLE 3



Standard color – Black.  
Can be supplied in other colors on special order.

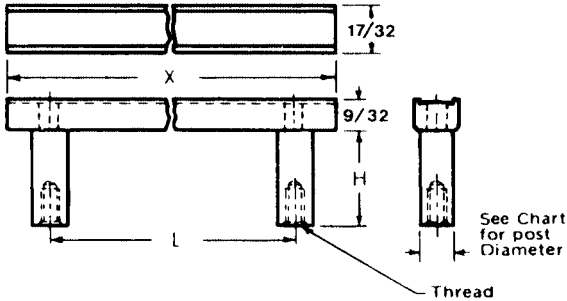
		ALUMINUM 9/32 x 17/32								
		H 3/4								
		Leg Dia. →		5/16		3/8				
		Thread Size →		8-32		10-32				
Style	A	L	X							
1		2"	2-7/8	13745-A-0832	13745-A-1032	13770-A-0832	13770-A-1032			
		2-1/4	3-1/8	13746-A-0832	13746-A-1032	13771-A-0832	13771-A-1032			
		2-1/2	3-3/8	13747-A-0832	13747-A-1032	13772-A-0832	13772-A-1032			
		3"	3-7/8	13748-A-0832	13748-A-1032	13773-A-0832	13773-A-1032			
		3-1/2	4-3/8	13749-A-0832	13749-A-1032	13774-A-0832	13774-A-1032			
		4"	4-7/8	13750-A-0832	13750-A-1032	13775-A-0832	13775-A-1032			
		4-1/4	5-1/8	13751-A-0832	13751-A-1032	13776-A-0832	13776-A-1032			
		4-1/2	5-3/8	13752-A-0832	13752-A-1032	13777-A-0832	13777-A-1032			
		4-9/16	5-7/16	13753-A-0832	13753-A-1032	13778-A-0832	13778-A-1032			
		2	3.00	5"	5-7/8	13754-A-0832	13754-A-1032	13779-A-0832	13779-A-1032	
				6"	6-7/8	13755-A-0832	13755-A-1032	13780-A-0832	13780-A-1032	
				7"	7-7/8	13756-A-0832	13756-A-1032	13781-A-0832	13781-A-1032	
3.88	7-3/4			8-5/8	13757-A-0832	13757-A-1032	13782-A-0832	13782-A-1032		
4.00	8"			8-7/8	13758-A-0832	13758-A-1032	13783-A-0832	13783-A-1032		
4.50	9"			9-7/8	13759-A-0832	13759-A-1032	13784-A-0832	13784-A-1032		
4.75	5.00	5.50	9-1/2	10-3/8	13760-A-0832	13760-A-1032	13785-A-0832	13785-A-1032		
			10"	10-7/8	13761-A-0832	13761-A-1032	13786-A-0832	13786-A-1032		
			11"	11-7/8	13762-A-0832	13762-A-1032	13787-A-0832	13787-A-1032		
			2	5.63	11-1/4	12-1/8	13763-A-0832	13763-A-1032	13788-A-0832	13788-A-1032
					12"	12-7/8	13764-A-0832	13764-A-1032	13789-A-0832	13789-A-1032
3	4.00	4.34	13"	13-7/8	13765-A-0832	13765-A-1032	13790-A-0832	13790-A-1032		
			4.67	14"	14-7/8	13766-A-0832	13766-A-1032	13791-A-0832	13791-A-1032	
3	4.92	14-3/4	15-5/8	13767-A-0832	13767-A-1032	13792-A-0832	13792-A-1032			

Can be supplied in other colors on special order.

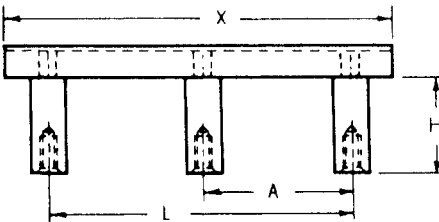
		ALUMINUM 9/32 x 17/32							
		H 7/8							
		Leg Dia. →		5/16		3/8			
		Thread Size →		8-32		10-32			
Style	A	L	X						
1		2"	2-7/8	13795-A-0832	13795-A-1032	13820-A-0832	13820-A-1032		
		2-1/4	3-1/8	13796-A-0832	13796-A-1032	13821-A-0832	13821-A-1032		
		2-1/2	3-3/8	13797-A-0832	13797-A-1032	13822-A-0832	13822-A-1032		
		3"	3-7/8	13798-A-0832	13798-A-1032	13823-A-0832	13823-A-1032		
		3-1/2	4-3/8	13799-A-0832	13799-A-1032	13824-A-0832	13824-A-1032		
		4"	4-7/8	13800-A-0832	13800-A-1032	13825-A-0832	13825-A-1032		
2	3.00	3.50	4-1/4	5-1/8	13801-A-0832	13801-A-1032	13826-A-0832	13826-A-1032	
			4-1/2	5-3/8	13802-A-0832	13802-A-1032	13827-A-0832	13827-A-1032	
			4-9/16	5-7/16	13803-A-0832	13803-A-1032	13828-A-0832	13828-A-1032	
			5"	5-7/8	13804-A-0832	13804-A-1032	13829-A-0832	13829-A-1032	
			6"	6-7/8	13805-A-0832	13805-A-1032	13830-A-0832	13830-A-1032	
			7"	7-7/8	13806-A-0832	13806-A-1032	13831-A-0832	13831-A-1032	
3.88	4.00	4.50	7-3/4	8-5/8	13807-A-0832	13807-A-1032	13832-A-0832	13832-A-1032	
			8"	8-7/8	13808-A-0832	13808-A-1032	13833-A-0832	13833-A-1032	
			9-7/8	9-7/8	13809-A-0832	13809-A-1032	13834-A-0832	13834-A-1032	
			4.75	9-1/2	10-3/8	13810-A-0832	13810-A-1032	13835-A-0832	13835-A-1032
			5.00	10"	10-7/8	13811-A-0832	13811-A-1032	13836-A-0832	13836-A-1032
			5.50	11"	11-7/8	13812-A-0832	13812-A-1032	13837-A-0832	13837-A-1032
2	5.63	11-1/4	12-1/8	12-1/8	13813-A-0832	13813-A-1032	13838-A-0832	13838-A-1032	
			12"	12-7/8	13814-A-0832	13814-A-1032	13839-A-0832	13839-A-1032	
3	4.00	4.34	13"	13-7/8	13815-A-0832	13815-A-1032	13840-A-0832	13840-A-1032	
			4.67	14"	14-7/8	13816-A-0832	13816-A-1032	13841-A-0832	13841-A-1032
3	4.92	14-3/4	15-5/8	13817-A-0832	13817-A-1032	13842-A-0832	13842-A-1032		

## 17/32" X 9/32" BAR HANDLES EXTRUSION INTERNAL THREADS ANODIZED ALUMINUM STRIPS

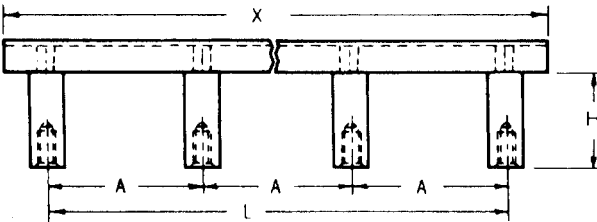
### STYLE 1



### STYLE 2



### STYLE 3



Standard color – Black.  
Can be supplied in other colors on special order.

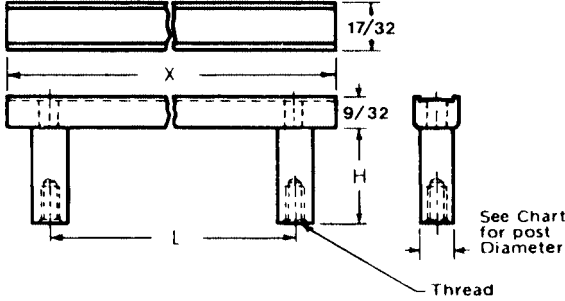
		ALUMINUM 9/32 x 17/32						
		H 1"						
		Log Dia. →		5/16		3/8		
		Thread Size →		8-32	10-32	8-32	10-32	
Style	A	L	X					
1		2"	2-7/8	13845-A-0832	13845-A-1032	13870-A-0832	13870-A-1032	
		2-1/4	3-1/8	13846-A-0832	13846-A-1032	13871-A-0832	13871-A-1032	
		2-1/2	3-3/8	13847-A-0832	13847-A-1032	13872-A-0832	13872-A-1032	
		3"	3-7/8	13848-A-0832	13848-A-1032	13873-A-0832	13873-A-1032	
		3-1/2	4-3/8	13849-A-0832	13849-A-1032	13874-A-0832	13874-A-1032	
		4"	4-7/8	13850-A-0832	13850-A-1032	13875-A-0832	13875-A-1032	
		4-1/4	5-1/8	13851-A-0832	13851-A-1032	13876-A-0832	13876-A-1032	
		4-1/2	5-3/8	13852-A-0832	13852-A-1032	13877-A-0832	13877-A-1032	
		4-9/16	5-7/16	13853-A-0832	13853-A-1032	13878-A-0832	13878-A-1032	
		2	3.00 3.50	5"	5-7/8	13854-A-0832	13854-A-1032	13879-A-0832
6"	6-7/8			13855-A-0832	13855-A-1032	13880-A-0832	13880-A-1032	
7"	7-7/8			13856-A-0832	13856-A-1032	13881-A-0832	13881-A-1032	
3.88	7-3/4			8-5/8	13857-A-0832	13857-A-1032	13882-A-0832	13882-A-1032
4.00	8"			8-7/8	13858-A-0832	13858-A-1032	13883-A-0832	13883-A-1032
4.50	9"			9-7/8	13859-A-0832	13859-A-1032	13884-A-0832	13884-A-1032
4.75	9-1/2			10-3/8	13860-A-0832	13860-A-1032	13885-A-0832	13885-A-1032
5.00	10"			10-7/8	13861-A-0832	13861-A-1032	13886-A-0832	13886-A-1032
5.50	11"			11-7/8	13862-A-0832	13862-A-1032	13887-A-0832	13887-A-1032
3	4.00 4.34	11-1/4	12-1/8	13863-A-0832	13863-A-1032	13888-A-0832	13888-A-1032	
		12"	12-7/8	13864-A-0832	13864-A-1032	13889-A-0832	13889-A-1032	
		13"	13-7/8	13865-A-0832	13865-A-1032	13890-A-0832	13890-A-1032	
3	4.67 4.92	14"	14-7/8	13866-A-0832	13866-A-1032	13891-A-0832	13891-A-1032	
		14-3/4	15-5/8	13867-A-0832	13867-A-1032	13892-A-0832	13892-A-1032	

		ALUMINUM 9/32 x 17/32						
		H 1-1/8						
		Log Dia. →		5/16		3/8		
		Thread Size →		8-32	10-32	8-32	10-32	
Style	A	L	X					
1		2"	2-7/8	13895-A-0832	13895-A-1032	13920-A-0832	13920-A-1032	
		2-1/4	3-1/8	13896-A-0832	13896-A-1032	13921-A-0832	13921-A-1032	
		2-1/2	3-3/8	13897-A-0832	13897-A-1032	13922-A-0832	13922-A-1032	
		3"	3-7/8	13898-A-0832	13898-A-1032	13923-A-0832	13923-A-1032	
		3-1/2	4-3/8	13899-A-0832	13899-A-1032	13924-A-0832	13924-A-1032	
		4"	4-7/8	13900-A-0832	13900-A-1032	13925-A-0832	13925-A-1032	
2	3.00 3.50	4-1/4	5-1/8	13901-A-0832	13901-A-1032	13926-A-0832	13926-A-1032	
		4-1/2	5-3/8	13902-A-0832	13902-A-1032	13927-A-0832	13927-A-1032	
		4-9/16	5-7/16	13903-A-0832	13903-A-1032	13928-A-0832	13928-A-1032	
		5"	5-7/8	13904-A-0832	13904-A-1032	13929-A-0832	13929-A-1032	
		6"	6-7/8	13905-A-0832	13905-A-1032	13930-A-0832	13930-A-1032	
		7"	7-7/8	13906-A-0832	13906-A-1032	13931-A-0832	13931-A-1032	
		3.88	7-3/4	8-5/8	13907-A-0832	13907-A-1032	13932-A-0832	13932-A-1032
		4.00	8"	8-7/8	13908-A-0832	13908-A-1032	13933-A-0832	13933-A-1032
		4.50	9"	9-7/8	13909-A-0832	13909-A-1032	13934-A-0832	13934-A-1032
3	4.75 6.00 5.50	9-1/2	10-3/8	13910-A-0832	13910-A-1032	13935-A-0832	13935-A-1032	
		10"	10-7/8	13911-A-0832	13911-A-1032	13936-A-0832	13936-A-1032	
		11"	11-7/8	13912-A-0832	13912-A-1032	13937-A-0832	13937-A-1032	
3	5.63 4.00 4.34	11-1/4	12-1/8	13913-A-0832	13913-A-1032	13938-A-0832	13938-A-1032	
		12"	12-7/8	13914-A-0832	13914-A-1032	13939-A-0832	13939-A-1032	
		13"	13-7/8	13915-A-0832	13915-A-1032	13940-A-0832	13940-A-1032	
3	4.67 4.92	14"	14-7/8	13916-A-0832	13916-A-1032	13941-A-0832	13941-A-1032	
		14-3/4	15-5/8	13917-A-0832	13917-A-1032	13942-A-0832	13942-A-1032	

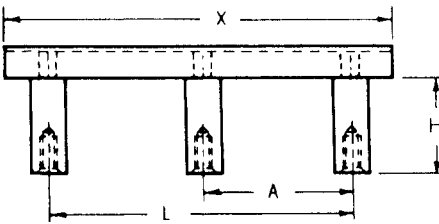
5 Pasco Hill Road • Cromwell, CT 06416-1093  
Phone: 860-828-0847 • Call Toll Free: 800-243-6032 • Fax: 860-828-0381  
Web Address: <http://www.amatom.com> • E-Mail: [sales@amatom.com](mailto:sales@amatom.com)

## 17/32" X 9/32" BAR HANDLES EXTRUSION INTERNAL THREADS ANODIZED ALUMINUM STRIPS

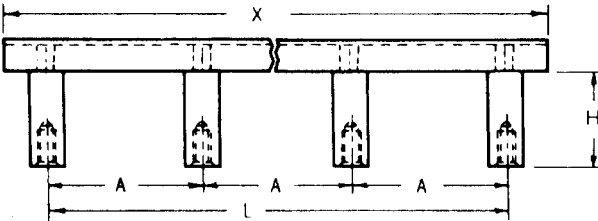
### STYLE 1



### STYLE 2



### STYLE 3



ALUMINUM 9/32 x 17/32					H 1"			
LEG DIAMETER →					3/8		7/16	
THREAD SIZE →					6-32	8-32	6-32	8-32
Style	X	A	L					
1	1.56		95		14070-A-0632	14070-A-0832	13735-A-0632	13735-A-0832
	3.31		2.59		14071-A-0632	14071-A-0832	13736-A-0632	13736-A-0832
	5.06		4.38		14072-A-0632	14072-A-0832	13737-A-0632	13737-A-0832
2	6.81	3.00	6.00		14073-A-0632	14073-A-0832	13738-A-0632	13738-A-0832
	8.56	3.75	7.50		14074-A-0632	14074-A-0832	13739-A-0632	13739-A-0832
	10.31	4.70	9.41		14075-A-0632	14075-A-0832	13740-A-0632	13740-A-0832
	12.06	5.58	11.15		14076-A-0632	14076-A-0832	13741-A-0632	13741-A-0832

Standard color – Black.  
Can be supplied in other colors on special order.

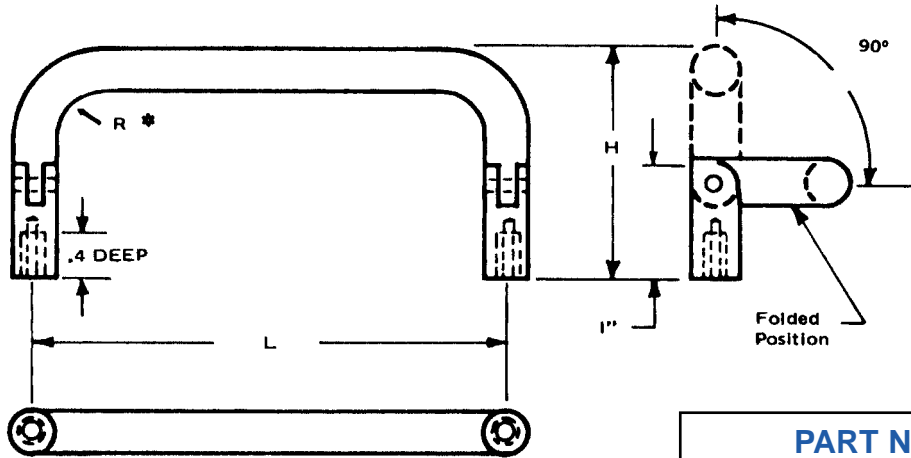
ALUMINUM 9/32 x 17/32						H 1-3/16			
LEG DIA. →						5/16		3/8	
THREAD SIZE →						8-32	10-32	8-32	10-32
Style	A	L	X						
1				2"	2-7/8	13945-A-0832	13945-A-1032	13970-A-0832	13970-A-1032
				2-1/4	3-1/8	13946-A-0832	13946-A-1032	13971-A-0832	13971-A-1032
				2-1/2	3-3/8	13947-A-0832	13947-A-1032	13972-A-0832	13972-A-1032
				3"	3-7/8	13948-A-0832	13948-A-1032	13973-A-0832	13973-A-1032
				3-1/2	4-3/8	13949-A-0832	13949-A-1032	13974-A-0832	13974-A-1032
				4"	4-7/8	13950-A-0832	13950-A-1032	13975-A-0832	13975-A-1032
				4-1/4	5-1/8	13951-A-0832	13951-A-1032	13976-A-0832	13976-A-1032
				4-1/2	5-3/8	13952-A-0832	13952-A-1032	13977-A-0832	13977-A-1032
				4-9/16	5-7/16	13953-A-0832	13953-A-1032	13978-A-0832	13978-A-1032
				5"	5-7/8	13954-A-0832	13954-A-1032	13979-A-0832	13979-A-1032
2	3.00			6"	6-7/8	13955-A-0832	13955-A-1032	13980-A-0832	13980-A-1032
	3.50			7"	7-7/8	13956-A-0832	13956-A-1032	13981-A-0832	13981-A-1032
	3.88	7-3/4	8-5/8	8-5/8	8-5/8	13957-A-0832	13957-A-1032	13982-A-0832	13982-A-1032
4.00	8"	8-7/8	8-7/8	8-7/8	13958-A-0832	13958-A-1032	13983-A-0832	13983-A-1032	
4.50	9"	9-7/8	9-7/8	9-7/8	13959-A-0832	13959-A-1032	13984-A-0832	13984-A-1032	
4.75	9-1/2	10-3/8	10-3/8	10-3/8	13960-A-0832	13960-A-1032	13985-A-0832	13985-A-1032	
5.00	10"	10-7/8	10-7/8	10-7/8	13961-A-0832	13961-A-1032	13986-A-0832	13986-A-1032	
5.50	11"	11-7/8	11-7/8	11-7/8	13962-A-0832	13962-A-1032	13987-A-0832	13987-A-1032	
2	5.63	11-1/4	12-1/8	12-1/8	13963-A-0832	13963-A-1032	13988-A-0832	13988-A-1032	
	4.00	12"	12-7/8	12-7/8	13964-A-0832	13964-A-1032	13989-A-0832	13989-A-1032	
3	4.34	13"	13-7/8	13-7/8	13965-A-0832	13965-A-1032	13990-A-0832	13990-A-1032	
	4.67	14"	14-7/8	14-7/8	13966-A-0832	13966-A-1032	13991-A-0832	13991-A-1032	
3	4.92	14-3/4	15-5/8	15-5/8	13967-A-0832	13967-A-1032	13992-A-0832	13992-A-1032	

ALUMINUM 9/32 x 17/32						H 1-7/16			
LEG DIA. →						5/16		3/8	
THREAD SIZE →						8-32	10-32	8-32	10-32
Style	X	A	L						
2"				2-7/8	13995-A-0832	13995-A-1032	14020-A-0832	14020-A-1032	
				3-1/8	13996-A-0832	13996-A-1032	14021-A-0832	14021-A-1032	
				3-3/8	13997-A-0832	13997-A-1032	14022-A-0832	14022-A-1032	
3"				3-7/8	13998-A-0832	13998-A-1032	14023-A-0832	14023-A-1032	
				4-3/8	13999-A-0832	13999-A-1032	14024-A-0832	14024-A-1032	
				4-7/8	14000-A-0832	14000-A-1032	14025-A-0832	14025-A-1032	
4-1/4				5-1/8	14001-A-0832	14001-A-1032	14026-A-0832	14026-A-1032	
				5-3/8	14002-A-0832	14002-A-1032	14027-A-0832	14027-A-1032	
				5-7/16	14003-A-0832	14003-A-1032	14028-A-0832	14028-A-1032	
5"				5-7/8	14004-A-0832	14004-A-1032	14029-A-0832	14029-A-1032	
				6-7/8	14005-A-0832	14005-A-1032	14030-A-0832	14030-A-1032	
				7-7/8	14006-A-0832	14006-A-1032	14031-A-0832	14031-A-1032	
7-3/4				8-5/8	14007-A-0832	14007-A-1032	14032-A-0832	14032-A-1032	
				8-7/8	14008-A-0832	14008-A-1032	14033-A-0832	14033-A-1032	
				9-7/8	14009-A-0832	14009-A-1032	14034-A-0832	14034-A-1032	
9-1/2				10-3/8	14010-A-0832	14010-A-1032	14035-A-0832	14035-A-1032	
				10-7/8	14011-A-0832	14011-A-1032	14036-A-0832	14036-A-1032	
				11-7/8	14012-A-0832	14012-A-1032	14037-A-0832	14037-A-1032	
11-1/4				12-1/8	14013-A-0832	14013-A-1032	14038-A-0832	14038-A-1032	
				12-7/8	14014-A-0832	14014-A-1032	14039-A-0832	14039-A-1032	
				13-7/8	14015-A-0832	14015-A-1032	14040-A-0832	14040-A-1032	
14"				14-7/8	14016-A-0832	14016-A-1032	14041-A-0832	14041-A-1032	
				15-5/8	14017-A-0832	14017-A-1032	14042-A-0832	14042-A-1032	

5 Pasco Hill Road • Cromwell, CT 06416-1093  
Phone: 860-828-0847 • Call Toll Free: 800-243-6032 • Fax: 860-828-0381  
Web Address: <http://www.amatom.com> • E-Mail: [sales@amatom.com](mailto:sales@amatom.com)



### 5/16" ROUND HANDLES INTERNAL THREADS 90° FOLDING-FREE FALL



Radius is approx. same as O.D. of material.

PART NO.	L ± 1/64	H ± 1/32
14050	3"	
14051	3-1/2"	
14052	4"	
14053	4-9/16"	2"
14054	5"	
14055	6"	
14056	7"	

#### PART NUMBER ORDERING SYSTEM

XXXXX - X - XXXX - XX

PART NO.

THREAD

MATERIAL

FINISH

#### THREAD CODE

THREAD	CODE
8-32	0832
10-32	1032

#### MATERIAL

#### CODE

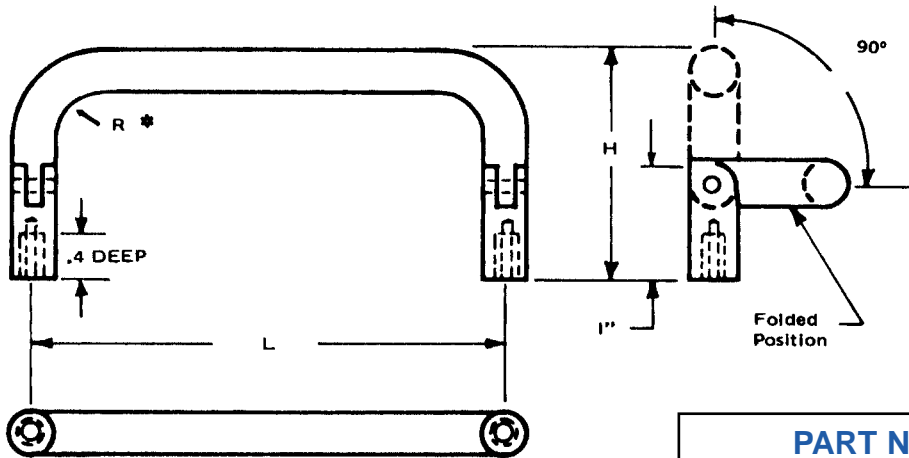
Aluminum	A
Brass	B
Stainless Steel	SS
Steel	S

#### NOTE:

Metric size dimensions and threads available.

Please contact Sales Office.

## 3/8" ROUND HANDLES INTERNAL THREADS 90° FOLDING-FREE FALL



Radius is approx. same as O.D. of material.

PART NO.	L ± 1/64	H ± 1/32
14060	3"	
14061	3-1/2"	
14062	4"	
14063	4-9/16"	2"
14064	5"	
14065	6"	
14066	7"	

### PART NUMBER ORDERING SYSTEM

XXXXX - X - XXXX - XX

PART NO.

THREAD

MATERIAL

FINISH

### THREAD CODE

THREAD	CODE
8-32	0832
10-32	1032

### MATERIAL

### CODE

Aluminum	A
Brass	B
Stainless Steel	SS
Steel	S

### NOTE:

Metric size dimensions and threads available.

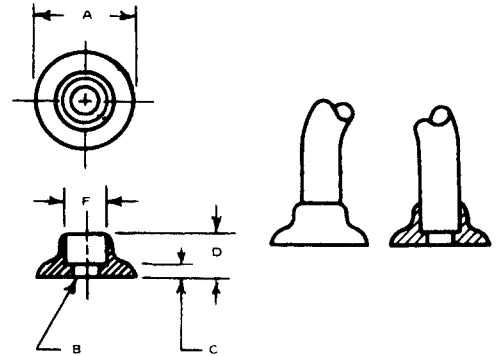
Please contact Sales Office.

5 Pasco Hill Road • Cromwell, CT 06416-1093  
 Phone: 860-828-0847 • Call Toll Free: 800-243-6032 • Fax: 860-828-0381  
 Web Address: <http://www.amatom.com> • E-Mail: [sales@amatom.com](mailto:sales@amatom.com)

## FERRULES

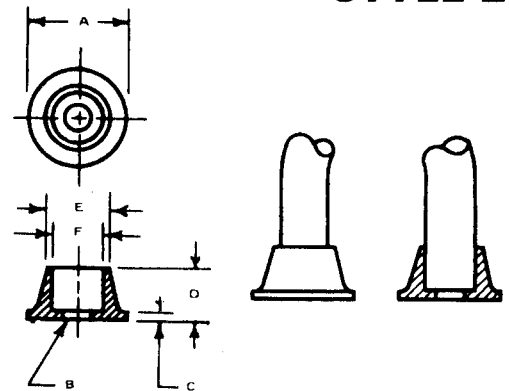
### STYLE 1

- Tolerances: Decimals + or -.005 Fraction + or - 1/64.
- Special Shaped and Contours available on Special Order.
- Refer to page 102 for Finish Codes.



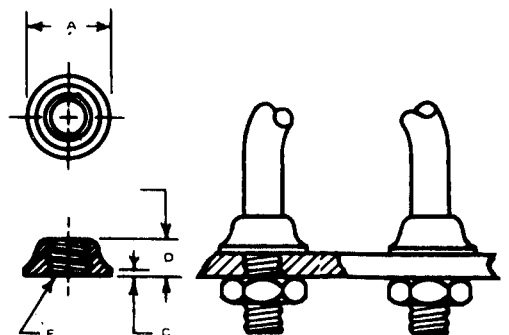
PART NO.	HANDLE DIA.	A	B	C	D	E	F	MATERIAL	FINISH
16000-A	5/16	3/4	.201	3/32	5/16	---	.320	Alum.	See Chart Page 102
16000-B		3/4	.201	3/32	5/16	---	.320	Brass	
16000-SS		3/4	.201	3/32	5/16	---	.320	SS	

### STYLE 2



PART NO.	HANDLE DIA.	A	B	C	D	E	F	MATERIAL	FINISH
16005-A	1/4	5/8	.175	1/16	3/8	.318	.257	Alum.	See Chart Page 102
16005-B		5/8	.175	1/16	3/8	.318	.257	Brass	
16005-SS		5/8	.175	1/16	3/8	.318	.257	S. S.	
16008-A	5/16	3/4	.201	1/16	3/8	.392	.322	Alum.	See Chart Page 102
16008-B		3/4	.201	1/16	3/8	.392	.322	Brass	
16008-SS		3/4	.201	1/16	3/8	.392	.322	S. S.	
16010-A	3/8	3/4	.260	1/16	3/8	.453	.383	Alum.	See Chart Page 102
16010-B		3/4	.260	1/16	3/8	.453	.383	Brass	
16010-SS		3/4	.260	1/16	3/8	.453	.383	S. S.	

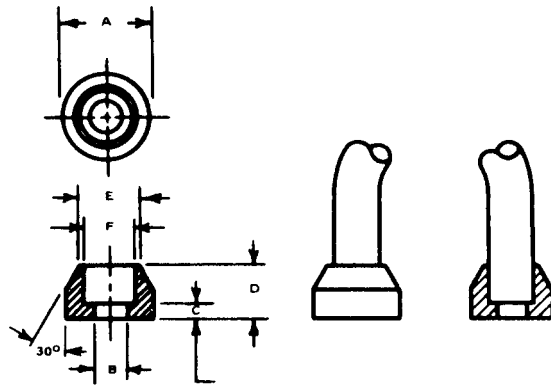
### STYLE 3



PART NO.	HANDLE DIA.	A	B	C	D	E	F	MATERIAL	FINISH
16012-A-3118	5/16	5/8	---	1/32	1/4	---	5/16-18	Alum.	See Chart Page 102
16012-B-3118		5/8	---	1/32	1/4	---	5/16-18	Brass	
16012-SS-3118		5/8	---	1/32	1/4	---	5/16-18	S. S.	
16012-A-3724	3/8	3/4	---	1/16	5/16	---	3/8-24	Alum.	See Chart Page 102
16012-B-3724		3/4	---	1/16	5/16	---	3/8-24	Brass	
16012-SS-3724		3/4	---	1/16	5/16	---	3/8-24	S. S.	

## FERRULES

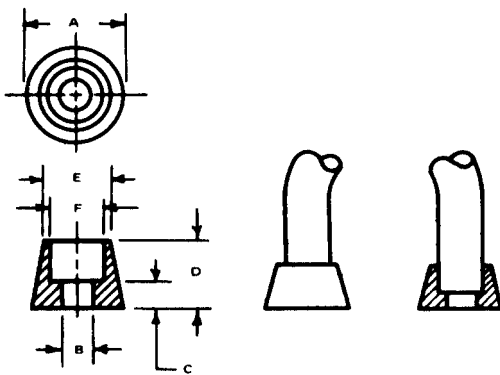
### STYLE 4



TO BE USED WITH ANY STYLE ROUND HANDLES WITH INTERNAL THREAD.

PART NO.	HANDLE DIA.	A	B	C	D	E	F	MATL	Finish
16015-A	1/8	1/4	.097	.046	1/8	.200	.136	ALUM.	See Chart Page 102
16015-B		1/4	.097	.046	1/8	.200	.136	BRASS	
16015-SS		1/4	.097	.046	1/8	.200	.136	S.S.	
16016-A	5/32	1/4	.125	.046	1/8	.200	.161	ALUM.	
16016-B		1/4	.125	.046	1/8	.200	.161	BRASS	
16016-SS		1/4	.125	.046	1/8	.200	.161	S.S.	
16017-A	3/16	5/16	.148	1/16	1/8	.265	.203	ALUM.	
16017-B		5/16	.148	1/16	1/8	.265	.203	BRASS	
16017-SS		5/16	.148	1/16	1/8	.265	.203	S.S.	
16018-A	1/4	3/8	.175	1/16	1/8	.310	.260	ALUM.	
16018-B		3/8	.175	1/16	1/8	.310	.260	BRASS	
16018-SS		3/8	.175	1/16	1/8	.310	.260	S.S.	
16019-A	1/4	3/8	.175	1/16	3/16	.320	.260	ALUM.	
16019-B		3/8	.175	1/16	3/16	.320	.260	BRASS	
16019-SS		3/8	.175	1/16	3/16	.320	.260	S.S.	
16020-A	1/4	7/16	.175	1/16	3/16	.320	.260	ALUM.	
16020-B		7/16	.175	1/16	3/16	.320	.260	BRASS	
16020-SS6		7/16	.175	1/16	3/16	.320	.260	S.S.	
16021-A	1/4	1/2	.175	1/16	1/4	.343	.260	ALUM.	
16021-B		1/2	.175	1/16	1/4	.343	.260	BRASS	
16021-SS		1/2	.175	1/16	1/4	.343	.260	S.S.	
16022-A	5/16	15/32	.201	1/16	1/4	.406	.320	ALUM.	
16022-B		15/32	.201	1/16	1/4	.406	.320	BRASS	
16022-SS		15/32	.201	1/16	1/4	.406	.320	S.S.	
16023-A	5/16	9/16	.201	1/16	1/4	.406	.320	ALUM.	
16023-B		9/16	.201	1/16	1/4	.406	.320	BRASS	
16023-SS		9/16	.201	1/16	1/4	.406	.320	S.S.	
16024-A	3/8	5/8	.260	3/32	3/8	.469	.385	ALUM.	
16024-B		5/8	.260	3/32	3/8	.469	.385	BRASS	
16024-SS		5/8	.260	3/32	3/8	.469	.385	S.S.	
16025-A	1/2	3/4	.322	3/32	3/8	.607	.515	ALUM.	
16025-B		3/4	.322	3/32	3/8	.607	.515	BRASS	
16025-SS		3/4	.322	3/32	3/8	.607	.515	S.S.	

### STYLE 5



PART NO.	HANDLE DIA.	A	B	C	D	E	F	MATERIAL	FINISH
16028-A	5/16	9/16	.201	3/32	5/16	7/16	.323	Alum.	See Chart Page 102
16028-B		9/16	.201	3/32	5/16	7/16	.323	Brass	
16028-SS		9/16	.201	3/32	5/16	7/16	.323	S.S.	
16029-A	3/8	5/8	.260	1/8	7/16	7/16	.390	Alum.	
16029-B		5/8	.260	1/8	7/16	7/16	.390	Brass	
16029-SS		5/8	.260	1/8	7/16	7/16	.390	S.S.	
16030-A	1/2	3/4	.322	3/16	9/16	19/32	.510	Alum.	
16030-B		3/4	.322	3/16	9/16	19/32	.510	Brass	
16030-SS		3/4	.322	3/16	9/16	19/32	.510	S.S.	

### PLEASE READ THIS CAREFULLY

#### EXPLANATION OF AMATOM PART NUMBERS

<b>15121</b>	—	<b>BG</b>	—	<b>187</b>	—	<b>1B</b>
Style & Size of Handle		Color of Grip where applicable		Standard Mounting Hole size		Code for Finish (i.e. 1B-Clear Anodize)

#### NOTES:

- (a) Styles #1 and 2 have grip as integral part of handle, in this case, grip will be same color (finish) as handle. See Handle Finish Code below.
- (b) Styles #3, 4 and 5 handles can be supplied with No Finish, Clear or Black Anodize with a Black Grip, Gray Grip or No Grip. See charts page 4.
- (c) Mounting hole of .187 is standard size for #8 screw. Handle can be ordered with hole for #10 screw on a special order basis by changing .187 in part number to .194.

#### HANDLE FINISH CODE

- 0 No Finish
- 1B Clear Anodize
- 2 Black Anodize

#### GRIP COLOR CODE (where applicable)

- BG Black
- GG Gray
- NG No Grip

#### HANDLE MATERIAL SPECIFICATION

Aluminum Extruded per 6005-T5

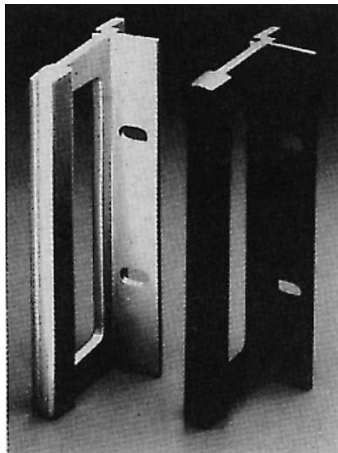
#### GRIP MATERIAL SPECIFICATION

PVC (Plastic Extrusion) 75 ± 5 Durometer Shore A with additive for Ultra-Violet Protection — Matte finish.

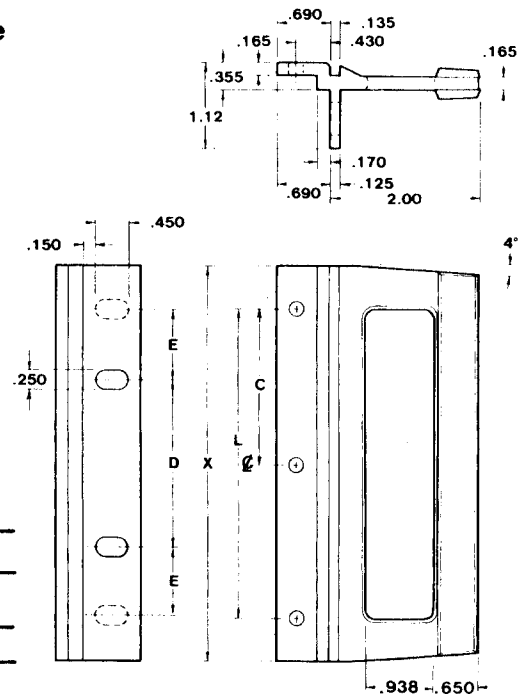
#### MACHINING TOLERANCES

- 2 place dec. xx ±.01
- Fractions ±1/64
- Angles ±1°

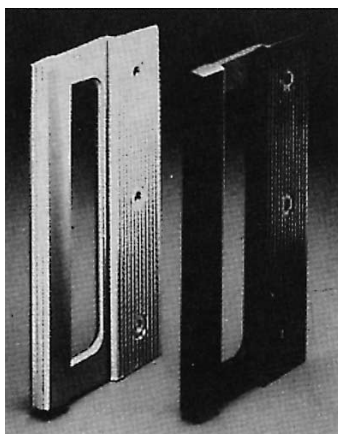
All specifications subject to change without notice.



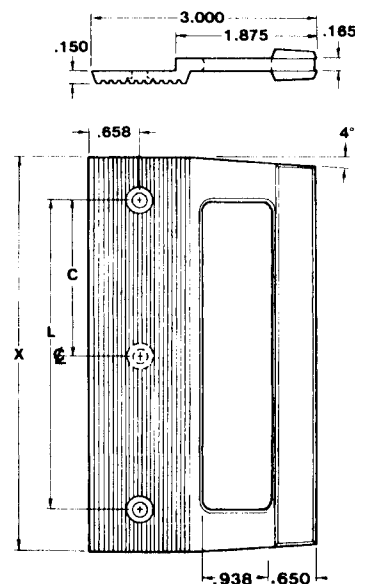
**Style 1 - Rack Mount Handle**



Amatom Part Number	Style	X-dim. Inches	Case Mounting Holes			Rack Mounting Holes		
			No. Holes	L-dim. Inches	C-dim. Inches	No. Holes	D-dim. Inches	E-dim. Inches
15101-187	1	3.46	2	2.52	—	2	3.00	—
15102-187	1	5.21	3	4.12	2.06	2	2.25	—
15103-187	1	5.96	3	4.61	2.30	2	4.00	—
15104-187	1	6.96	3	5.16	2.58	2	4.00	—
15105-187	1	7.96	3	5.82	2.91	4	2.25	1.75

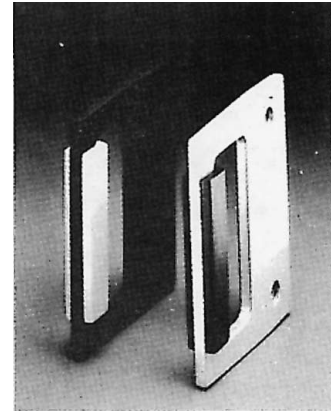
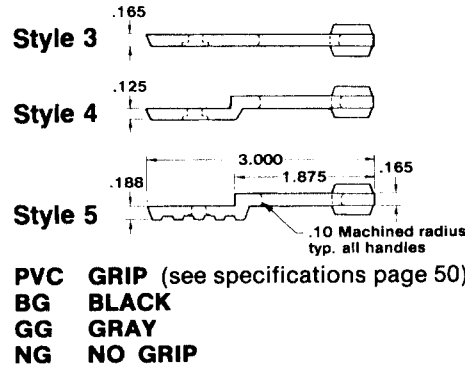
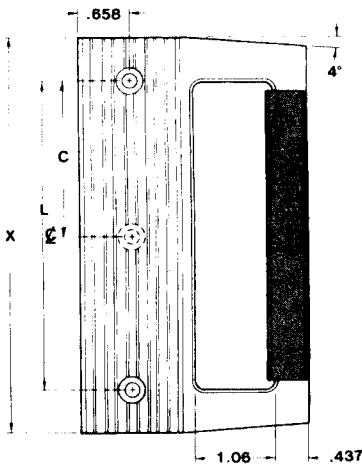


**Style 2 - Extruded Grip Handle**



Amatom Part Number	Style	No. Case Mig. Holes	X-dim. Inches	L-dim. Inches	C-dim. Inches
15111-187	2	2	3.46	2.52	—
15112-187	2	3	5.21	4.12	2.06
15113-187	2	3	5.96	4.61	2.30
15114-187	2	3	6.96	5.16	2.58
15115-187	2	3	7.96	5.82	2.91

5 Pasco Hill Road • Cromwell, CT 06416-1093  
 Phone: 860-828-0847 • Call Toll Free: 800-243-6032 • Fax: 860-828-0381  
 Web Address: <http://www.amatom.com> • E-Mail: [sales@amatom.com](mailto:sales@amatom.com)



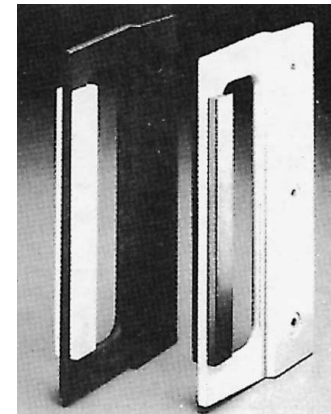
Style 3

## Style 3 - Straight Handle

Style No.	No. Case Mtg. Holes	X-dim. Inches	L-dim. Inches	C-dim. Inches	Amatom Part No. Black Grip	Amatom Part No. Gray Grip	Amatom Part No. No Grip
3	2	3.46	2.52	—	15121-BG-187	15121-GG-187	15121-NG-187
3	3	5.21	4.12	2.06	15122-BG-187	15122-GG-187	15122-NG-187
3	3	5.96	4.61	2.30	15123-BG-187	15123-GG-187	15123-NG-187
3	3	6.96	5.16	2.58	15124-BG-187	15124-GG-187	15124-NG-187
3	3	7.96	5.82	2.91	15125-BG-187	15125-GG-187	15125-NG-187

## Style 4 - Plain Handle

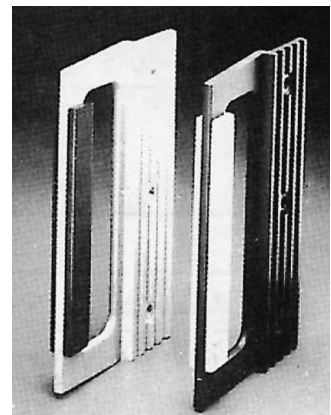
Style No.	No. Case Mtg. Holes	X-dim. inches	L-dim. inches	C-dim. inches	Amatom Part No. Black Grip	Amatom Part No. Gray Grip	Amatom Part No. No Grip
4	2	3.46	2.52	—	15131-BG-187	15131-GG-187	15131-NG-187
4	3	5.21	4.12	2.06	15132-BG-187	15132-GG-187	15132-NG-187
4	3	5.96	4.61	2.30	15133-BG-187	15133-GG-187	15133-NG-187
4	3	6.96	5.16	2.58	15134-BG-187	15134-GG-187	15134-NG-187
4	3	7.96	5.82	2.91	15135-BG-187	15135-GG-187	15135-NG-187



Style 4

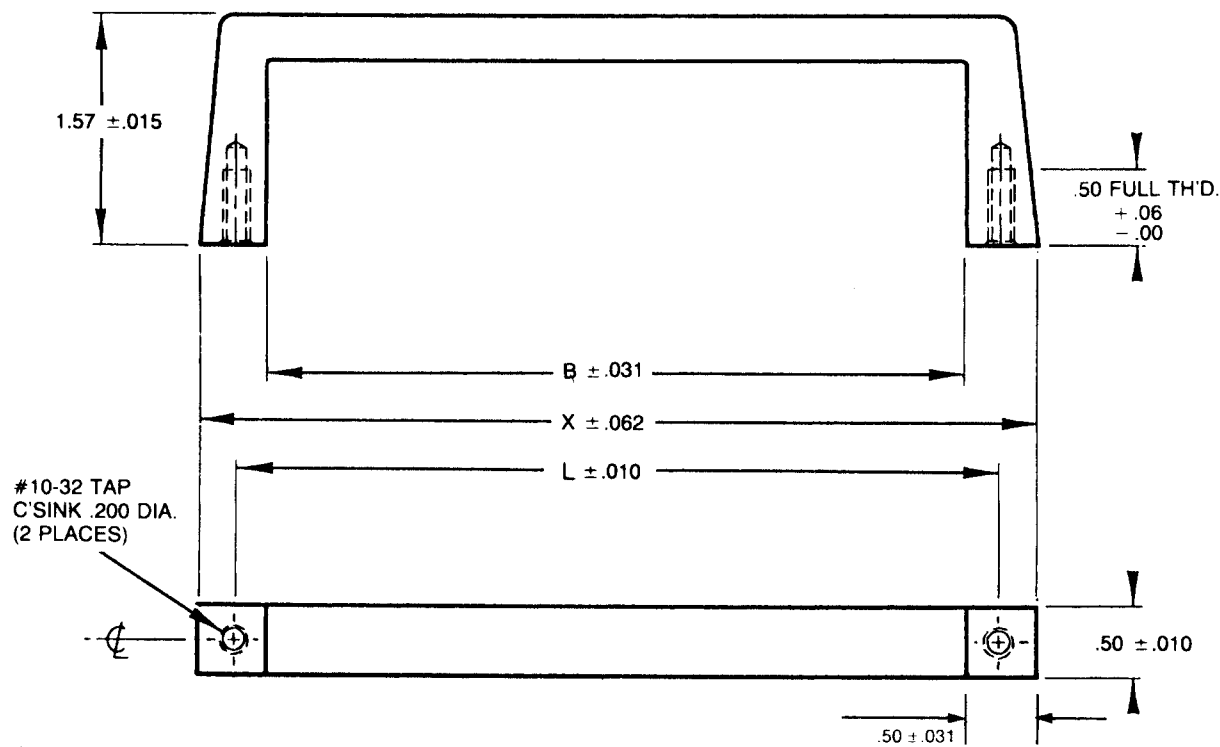
## Style 5 - Ribbed Handle

Style No.	No. Case Mtg. Holes	X-dim. inches	L-dim. inches	C-dim. inches	Amatom Part No. Black Grip	Amatom Part No. Gray Grip	Amatom Part No. No Grip
5	2	3.46	2.52	—	15141-BG-187	15141-GG-187	15141-NG-187
5	3	5.21	4.12	2.06	15142-BG-187	15142-GG-187	15142-NG-187
5	3	5.96	4.61	2.30	15143-BG-187	15143-GG-187	15143-NG-187
5	3	6.96	5.16	2.58	15144-BG-187	15144-GG-187	15144-NG-187
5	3	7.96	5.82	2.91	15145-BG-187	15145-GG-187	15145-NG-187



Style 5

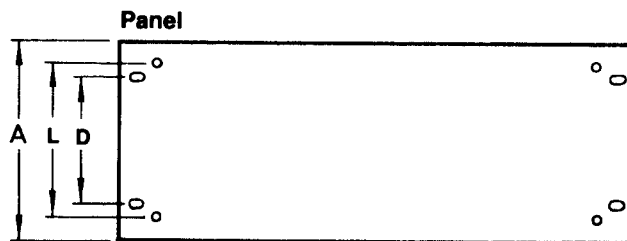
5 Pasco Hill Road • Cromwell, CT 06416-1093  
 Phone: 860-828-0847 • Call Toll Free: 800-243-6032 • Fax: 860-828-0381  
 Web Address: <http://www.amatom.com> • E-Mail: [sales@amatom.com](mailto:sales@amatom.com)



Amatom Pt. No.	For Panel Size		Panel Unit	L	X		B			
	Inch	mm			Inch	mm	Inch	mm		
80300-A-1032	3.46	88.1	B	2	2¼	57.15	2¼	69.85	1¾	44.45
80303-A-1032	5.21	132.5	C	3	3½	88.90	4	101.60	3	76.20
80306-A-1032	6.96	177.0	D	4	5¼	133.35	5¼	146.05	4¾	120.65
80309-A-1032	8.71	221.0	E	5	7	177.80	7½	190.50	6½	165.10

### Panel Width for Rack Mount

Panel	Unit	A	L	Rack Mtg. Holes
		Inches	mm	D
B	2	3.46	88.1	2¼ 3
C	3	5.21	132.5	3½ 2¼
D	4	6.96	177.0	5¼ 4
E	5	8.71	221.0	7 5¾



### Material Specs for Handles

High-Tech handles are machined from 6005-T5 or 6063-T5 extruded aluminum.

Standard thread size is 10-32. Other sizes available on Special Order as is. If metric thread is desired, specify 5x 0.8.

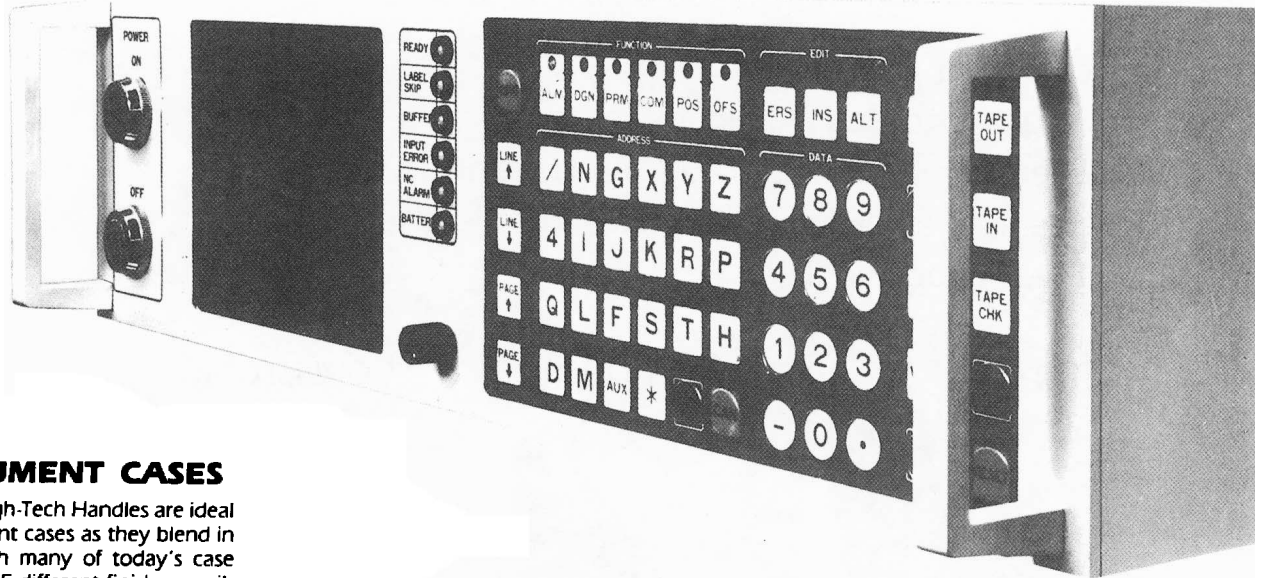
### Finishes Available on Handles

Finish Code	Finish	
1B	Clear Anodize	Standard
2	Black Anodize	Optional
2E	Brushed-Clear Anodize	"
2F	Brushed-Black Anodize	"
36	Electrostatic applied black epoxy	"

5 Pasco Hill Road • Cromwell, CT 06416-1093  
 Phone: 860-828-0847 • Call Toll Free: 800-243-6032 • Fax: 860-828-0381  
 Web Address: <http://www.amatom.com> • E-Mail: [sales@amatom.com](mailto:sales@amatom.com)



**NEW  
High-Tech  
HANDLES  
by AMATOM**

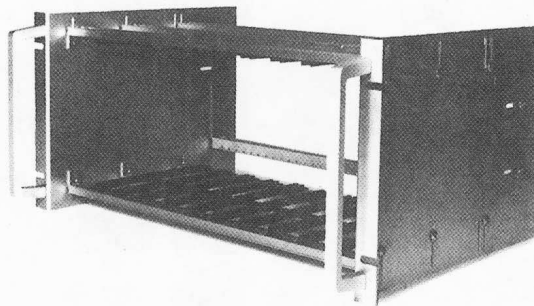


**INSTRUMENT CASES**

Amatom High-Tech Handles are ideal for instrument cases as they blend in so well with many of today's case styles. With 5 different finishes available, there is no problem finding a good match for your case or front panel.

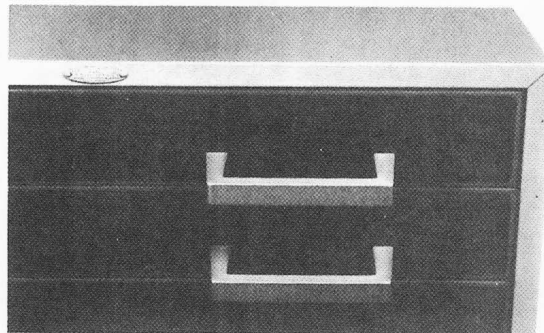
**RACK MOUNT CASES**

Add style to your rack mounted instruments by using Amatom's new High-Tech Handles. Choose one of 5 finishes available to complement the front panel with a new modern look. Handles are sized for standard panel widths and are compatible with standard rack hole spacing.



**DRAWERS**

Used as horizontal drawer pulls, Amatom's new High-Tech Handles feel comfortable and provide the contemporary styling for today's equipment.



5 Pasco Hill Road • Cromwell, CT 06416-1093  
 Phone: 860-828-0847 • Call Toll Free: 800-243-6032 • Fax: 860-828-0381  
 Web Address: <http://www.amatom.com> • E-Mail: [sales@amatom.com](mailto:sales@amatom.com)

### POSITIVE LOCKING FOLDING HANDLES

#### **AMATOM now offers three different models of Locking Handles.**

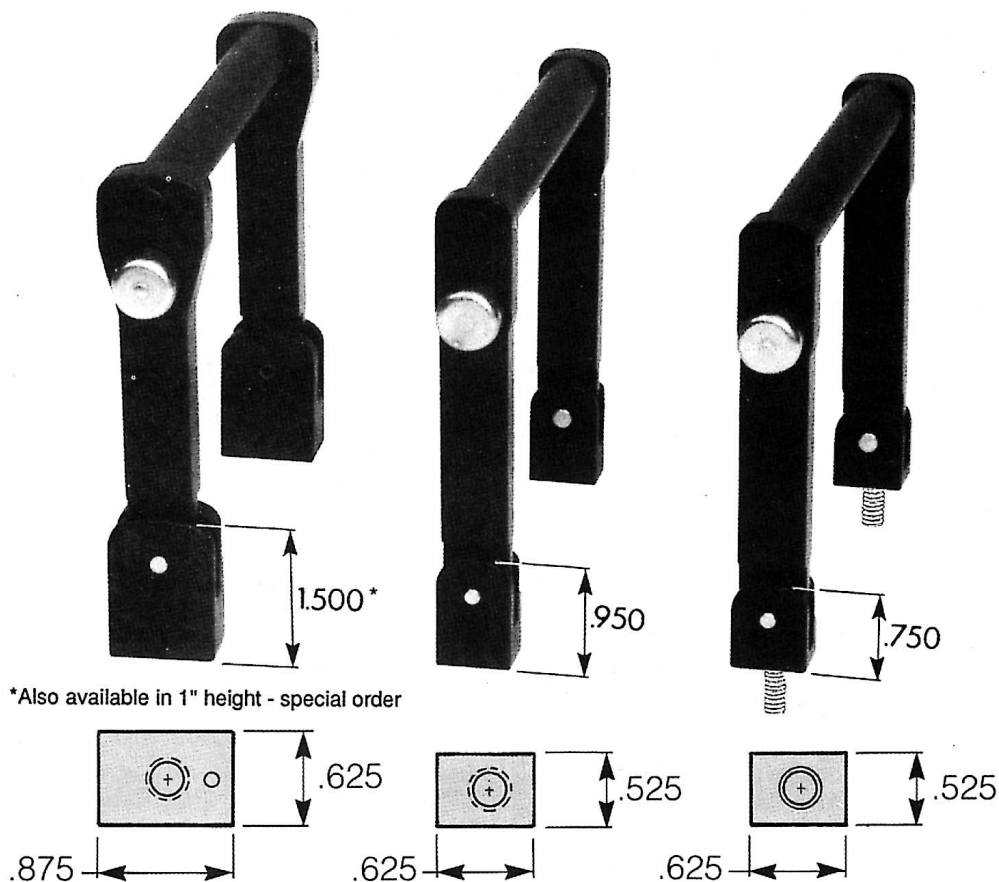
The two new models, the Compact and the Low Profile, retain all the same features found in the original Standard size handles.

- Easy one hand operation.
- Lightweight extruded aluminum.
- 300 series and heat treated 400 series stainless.
- Available from stock in two heights and several lengths.
- Black anodize finish.

Standard

Compact

Low Profile

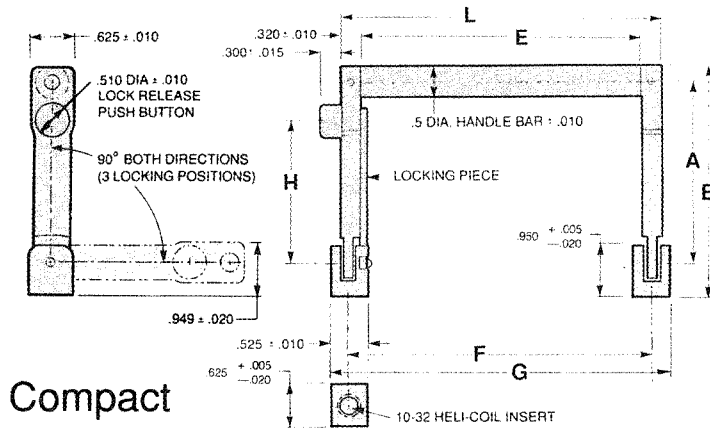


5 Pasco Hill Road • Cromwell, CT 06416-1093  
 Phone: 860-828-0847 • Call Toll Free: 800-243-6032 • Fax: 860-828-0381  
 Web Address: <http://www.amatom.com> • E-Mail: [sales@amatom.com](mailto:sales@amatom.com)

Part No.	E (+.010)	F (+.020)	G (REF.)	L (REF.)
80820	2.68	3.00	3.53	3.32
80821	3.68	4.00	4.53	4.32
80822	4.18	4.50	5.03	4.82
80823	4.68	5.00	5.53	5.32
80820-2	2.68	3.00	3.53	3.32
80821-2	3.68	4.00	4.53	4.32
80822-2	4.18	4.50	5.03	4.82
80823-2	4.68	5.00	5.53	5.32

For part numbers 80820 thru 80823,  
**A=3.068 B=3.965 H=2.400 All (±.020)**

For part numbers 80820-2 thru 80823-2,  
**A=1.478 B=2.375 H=0.875 All (±.020)**

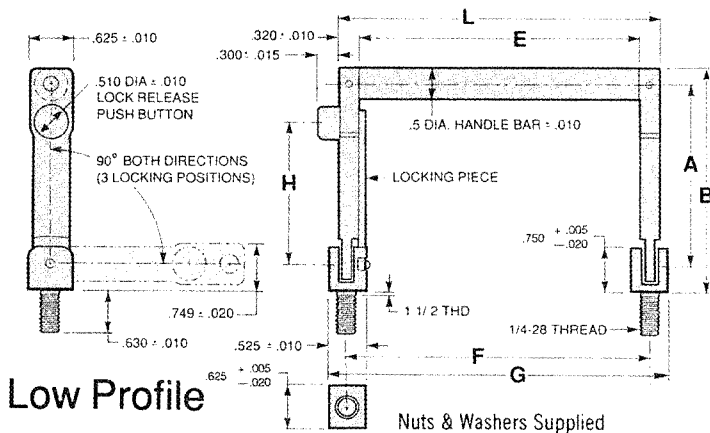


**Compact**

Part No.	E (+.010)	F (+.020)	G (REF.)	L (REF.)
80826	2.68	3.00	3.53	3.32
80827	3.68	4.00	4.53	4.32
80828	4.18	4.50	5.03	4.82
80829	4.68	5.00	5.53	5.32
80830	5.68	6.00	6.53	6.32
80826-2	2.68	3.00	3.53	3.32
80827-2	3.68	4.00	4.53	4.32
80828-2	4.18	4.50	5.03	4.82
80829-2	4.68	5.00	5.53	5.32
80830-2	5.68	6.00	6.53	6.32

For part numbers 80826 thru 80829,  
**A=3.068 B=3.766 H=2.400 All (±.020)**

For part numbers 80826-2 thru 80829-2,  
**A=1.478 B=2.176 H=0.875 All (±.020)**

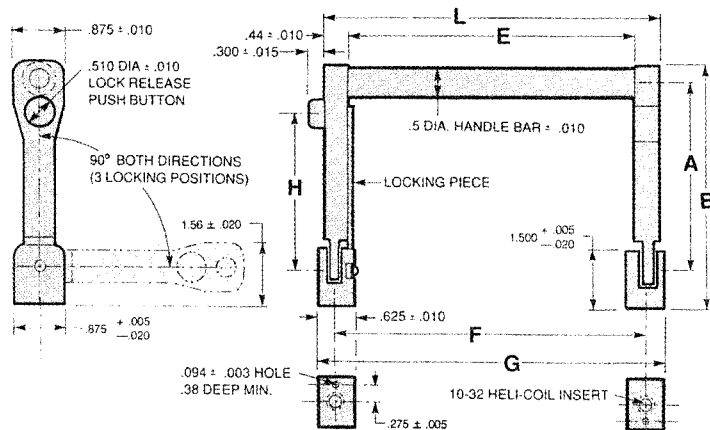


**Low Profile**

Part No.	E (+.010)	F (+.020)	G (REF.)	L (REF.)
80428	2.57	3.00	3.63	3.45
80430	3.57	4.00	4.63	4.45
80432	4.07	4.50	5.13	4.95
80434	4.57	5.00	5.63	5.45
80436	5.57	6.00	6.63	6.45
80442	7.57	8.00	8.63	8.45
80453	2.57	3.00	3.63	3.45
80455	3.57	4.00	4.63	4.45
80457	4.07	4.50	5.13	4.95
80459	4.57	5.00	5.63	5.45
80461	5.57	6.00	6.63	6.45
80465	7.57	8.00	8.63	8.45

For part numbers 80428 thru 80442,  
**A=1.400 B=2.785 H=0.875 All (±.020)**

For part numbers 80453 thru 80465,  
**A=2.990 B=4.375 H=2.400 All (±.020)**



**Standard**

**Materials:**

Ferrules, side pieces and cross bar - 6061T6 aluminum.  
 Push button, spring - 300 series stainless steel.  
 Locking piece - 410 stainless steel.  
 Pivot and retaining pins 203EZ.  
 Internally threaded mounting holes are fitted with 10-32 locking Heli-Coil inserts.

**Standard Finish:**

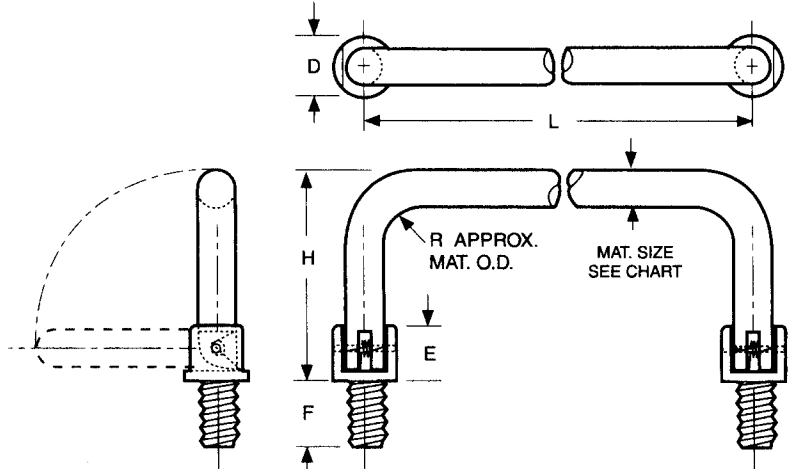
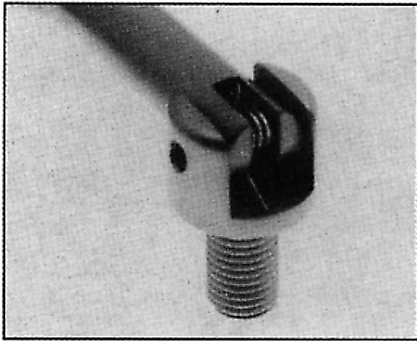
Aluminum - Black anodized MIL-A-8625D.  
 Stainless steel - passivated MIL-F-14072-E300.

**Notes:**

Load at extended position: up to 160 Pounds.  
 Average force to release lock: 6 pounds.  
 All specifications listed above apply to all three versions.

**5 Pasco Hill Road • Cromwell, CT 06416-1093**  
**Phone: 860-828-0847 • Call Toll Free: 800-243-6032 • Fax: 860-828-0381**  
**Web Address: <http://www.amatom.com> • E-Mail: [sales@amatom.com](mailto:sales@amatom.com)**

## HANDLES 90° SPRING LOADED



MATERIAL SIZE	D	E	F
5/16	5/8	1/2	5/8
3/8			

LENGTH ☐ TO ☐	MATERIAL SIZE 5/16" OD			
	H 1.5	5/8 OD FERRULE	THREAD 5/16-24	
	MATERIAL	ALUMINUM (A)	BRASS (B)	CRESS (SS)
3		81100-A-3124	81100-B-3124	81100-SS-3124
4		81101-A-3124	81101-B-3124	81101-SS-3124
4-1/2		81102-A-3124	81102-B-3124	81102-SS-3124
5		81103-A-3124	81103-B-3124	81103-SS-3124
6		81104-A-3124	81104-B-3124	81104-SS-3124

LENGTH ☐ TO ☐	MATERIAL SIZE 3/8" OD			
	H 1.5	5/8 OD FERRULE	THREAD 5/16-24	
	MATERIAL	ALUMINUM (A)	BRASS (B)	CRESS (SS)
3		81115-A-3124	81115-B-3124	81115-SS-3124
4		81116-A-3124	81116-B-3124	81116-SS-3124
4-1/2		81117-A-3124	81117-B-3124	81117-SS-3124
5		81118-A-3124	81118-B-3124	81118-SS-3124
6		81119-A-3124	81119-B-3124	81119-SS-3124

LENGTH ☐ TO ☐	MATERIAL SIZE 5/16" OD			
	H 1.85	5/8 OD FERRULE	THREAD 5/16-24	
	MATERIAL	ALUMINUM (A)	BRASS (B)	CRESS (SS)
3		81105-A-3124	81105-B-3124	81105-SS-3124
4		81106-A-3124	81106-B-3124	81106-SS-3124
4-1/2		81107-A-3124	81107-B-3124	81107-SS-3124
5		81108-A-3124	81108-B-3124	81108-SS-3124
6		81109-A-3124	81109-B-3124	81109-SS-3124

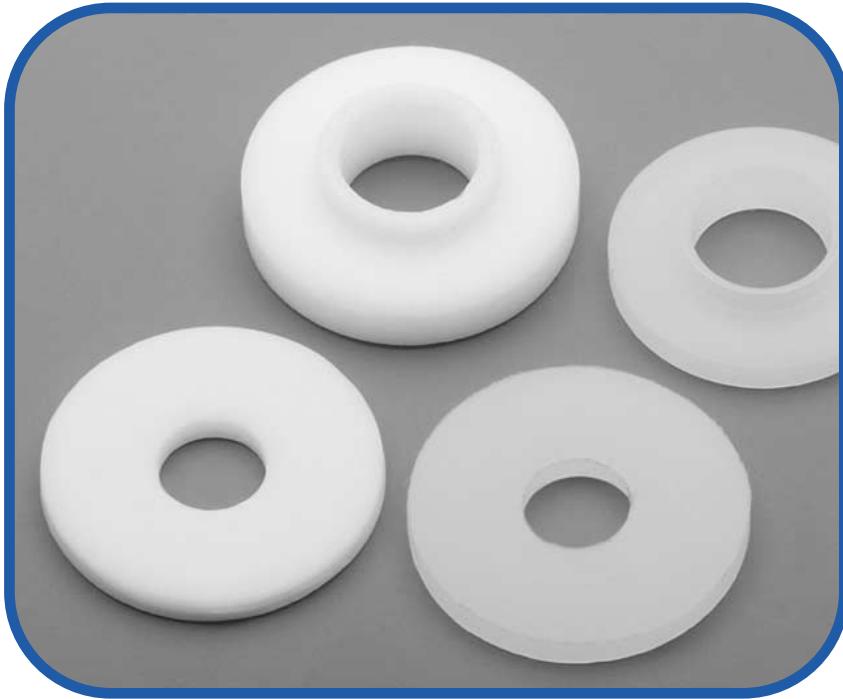
LENGTH ☐ TO ☐	MATERIAL SIZE 3/8" OD			
	H 1.85	5/8 OD FERRULE	THREAD 5/16-24	
	MATERIAL	ALUMINUM (A)	BRASS (B)	CRESS (SS)
3		81120-A-3124	81120-B-3124	81120-SS-3124
4		81121-A-3124	81121-B-3124	81121-SS-3124
4-1/2		81122-A-3124	81122-B-3124	81122-SS-3124
5		81123-A-3124	81123-B-3124	81123-SS-3124
6		81124-A-3124	81124-B-3124	81124-SS-3124

LENGTH ☐ TO ☐	MATERIAL SIZE 5/16" OD			
	H 2.375	5/8 OD FERRULE	THREAD 5/16-24	
	MATERIAL	ALUMINUM (A)	BRASS (B)	CRESS (SS)
3		81110-A-3124	81110-B-3124	81110-SS-3124
4		81111-A-3124	81111-B-3124	81111-SS-3124
4-1/2		81112-A-3124	81112-B-3124	81112-SS-3124
5		81113-A-3124	81113-B-3124	81113-SS-3124
6		81114-A-3124	81114-B-3124	81114-SS-3124

LENGTH ☐ TO ☐	MATERIAL SIZE 3/8" OD			
	H 2.375	5/8 OD FERRULE	THREAD 5/16-24	
	MATERIAL	ALUMINUM (A)	BRASS (B)	CRESS (SS)
3		81125-A-3124	81125-B-3124	81125-SS-3124
4		81126-A-3124	81126-B-3124	81126-SS-3124
4-1/2		81127-A-3124	81127-B-3124	81127-SS-3124
5		81128-A-3124	81128-B-3124	81128-SS-3124
6		81129-A-3124	81129-B-3124	81129-SS-3124

5 Pasco Hill Road • Cromwell, CT 06416-1093  
 Phone: 860-828-0847 • Call Toll Free: 800-243-6032 • Fax: 860-828-0381  
 Web Address: <http://www.amatom.com> • E-Mail: [sales@amatom.com](mailto:sales@amatom.com)

# AMATOM<sup>®</sup>



## INSULATING WASHERS FLAT AND SHOULDER

ELECTRONIC HARDWARE  
REFERENCE MANUAL

From anywhere in the USA Call Cromwell, CT **1-800-243-6032**

### **AMATOM ELECTRONIC HARDWARE**

5 Pasco Hill Road

Cromwell, CT 06416-1093

860-828-0847

Fax: 860-828-0381

E-Mail: [sales@amatom.com](mailto:sales@amatom.com)

Web Address: <http://www.amatom.com>

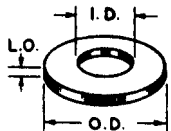
This Reference Manual has been compiled to make available to Engineers and Buyers in the Electronic Industry the most comprehensive listing of INSULATING WASHERS, both Flat and Shoulder.

## FLAT WASHERS

This section of INSULATING WASHERS, FLAT includes the following listed categories of sizes and materials:

NOTE 1 Available from stock in Nylon, Teflon, and Phenolic.

FLAT WASHERS – to accommodate screw sizes – 00 to 9/16

	INSIDE DIAMETER I.D.	OUTSIDE DIAMETER O.D.	THICKNESS L.O.
	.055" to .569"	.125" to 1.250"	.016" to .135"

## INDEX...FLAT WASHERS

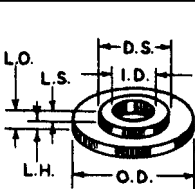
SCREW SIZE	00	0	1	2	3	4	5	6	8	10	12	1/4	5/16	3/8	7/16	1/2	9/16
PAGE NO.	183	183	183	183	183-184	184	185	185	186	186	186	187	187	187-188	188	188	188

## SHOULDER WASHERS

This section of INSULATING WASHERS, SHOULDER includes the following listed categories of sizes and materials:

NOTE 1 Available from stock in Nylon, Teflon, and Linen base Phenolic.

SHOULDER WASHERS – to accommodate screw sizes – 00 to 9/16

	INSIDE DIAMETER I.D.	DIAMETER OF SHANK D.S.	THICKNESS OF SHANK L.S.	OUTSIDE DIAMETER O.D.	THICKNESS OF HEAD L.H.	OVERALL THICKNESS L.O.
	.046" to .765"	.090" to .875"	.004" to .125"	.140" to 1.500"	.010" to .127"	.019" to .187"

## INDEX...SHOULDER WASHERS

SCREW SIZE	00	0	2	3	4	5	6	8	10	12	1/4	5/16	3/8	7/16	1/2	9/16
PAGE NO.	189	189	190	191-192	193-196	197-202	203-210	211-214	215-220	221-224	225-228	229-230	231-233	234-235	235	236

**5 Pasco Hill Road • Cromwell, CT 06416-1093**  
**Phone: 860-828-0847 • Call Toll Free: 800-243-6032 • Fax: 860-828-0381**  
**Web Address: <http://www.amatom.com> • E-Mail: [sales@amatom.com](mailto:sales@amatom.com)**

## FINISHES CHART A

30	Moisture and Fungus Resistant	Mil V-173
----	-------------------------------	-----------

Or To Your Specification

## CLEARANCE HOLE CODE CHART C

(See Notes below.)

THREAD SIZE	THREAD MAJOR DIAMETER	CLEARANCE HOLE CODE	THREAD SIZE	THREAD MAJOR DIAMETER	CLEARANCE HOLE CODE
0-80	.060	063	10-24	.190	194
1-64	.073	078	10-32	.190	194
1-72	.073	078	12-24	.216	219
2-56	.086	089	1/4-20	.250	253
2-64	.086	089	1/4-28	.250	253
3-48	.099	101	5/16-18	.3125	317
3-56	.099	101	5/16-24	.3125	317
4-40	.112	116	3/8-16	.375	385
4-48	.112	116	3/8-24	.375	385
5-40	.125	126	3/8-32	.375	385
5-44	.125	126	7/16-14	.4375	443
6-32	.138	140	7/16-20	.4375	443
6-40	.138	140	1/2-13	.500	515
8-32	.164	171	1/2-20	.500	515
8-36	.164	171	9/16-18	.562	569

- Clearance Code is the size of hole in a washer, needed to clear the major diameter and not have a sloppy fit.
- Tolerance on Clearance Hole Code, which designates I.D. of washer, is +.010, -.000.

## MATERIALS CHART B

MATERIAL	Code Letter	MATERIAL SPECIFICATIONS
Delrin	D	L-P-392
Nylon <sup>2</sup>	N	L-P-410 <sup>3</sup>
Phenolic	PH-F	Mil-P-15035 (Fabric Base)
Phenolic <sup>4</sup>	PH	L-P-513 (Paper Base) <sup>5</sup>
Teflon	T	Mil-P-14078

### NOTES:

- All Fibre parts supplied by AMATOM are checked carefully at the time of shipment for correct dimensions. Fibre should be stored at normal room temperature with a relative humidity of approximately 50%. Incorrect storage may result in warping, swelling or shrinking – due to absorption or loss of moisture. Maximum Situation – Fibre only:  
Diameter of Shank (D.S.) is approx. 40% Outside Diameter (O.D.)  
Minimum I.D. to D.S. .031 wall.  
Minimum L.H. .046 for max. L.S. of .031
- Nylon Minimum .015 Wall I.D. to D.S.
- Formerly Mil-P-17091-B (Grade 101).
- Phenolic Minimum .031 Wall I.D. to D.S.
- Formerly Mil-P-3115

### PLEASE NOTE:

Shoulder heights (L.S.) cannot exceed 75% of O.D. when O.D. is not machined.  
Overall height (L.O.) cannot exceed 75% of O.D. when O.D. is machined.

## PROPERTIES CHART D

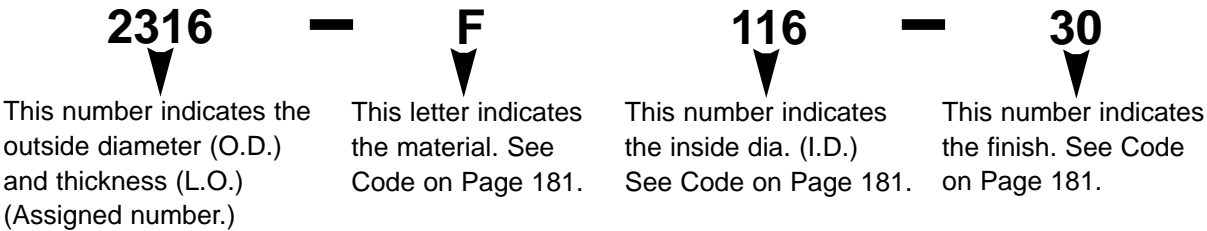
PROPERTY	NYLON 101	TEFLON	PHENOLIC		DELRIN ACETAL
			XXXP	LE	
Tensile Strength psi	11,200 - 16,500	2,700 - 3,100	13,500	10,000 - 14,000	10,000
Compressive Strength psi	4,000 - 11,000	700 - 1,200	36,000	37,000	18,000
Heat Resistance (continuous °F)	250	550	250 - 275	225 - 250	250
Dielectric Constant (60 cycles)	10	2.1			3.7
Dielectric Strength 1/8 Thickness (v/mil)	300 - 400	400	325	225	500
Arc Resistance (Sec)	140	200	10	10	129
Water Absorption 24 hrs (%)	1.5	.00	.5	1.8	.12
Rockwell Hardness	107 - 119	R-58	M110	M113	R120
Flammability (in/min) .125 in.	SELF - EXT.	NON-FLAM.			1.1
Specific Gravity	1.13 - 1.14	2.13	1.35	1.33	1.42

Information listed above was obtained from charts submitted by various manufacturers. We believe this information to be accurate, but since test methods vary, their validity cannot be verified. This chart is compiled for information purposes only.

**5 Pasco Hill Road • Cromwell, CT 06416-1093**  
**Phone: 860-828-0847 • Call Toll Free: 800-243-6032 • Fax: 860-828-0381**  
**Web Address: <http://www.amatom.com> • E-Mail: [sales@amatom.com](mailto:sales@amatom.com)**

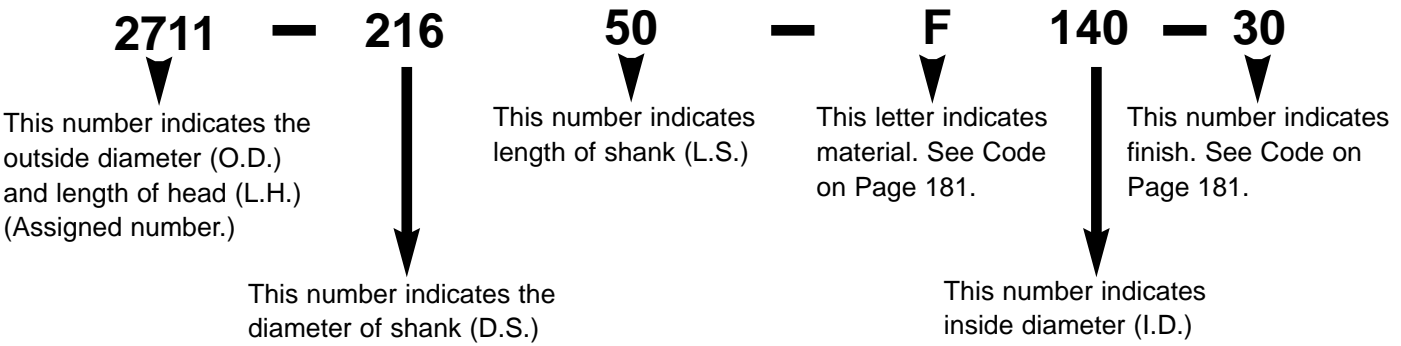
2316-F116-30

**➔ PLEASE READ THIS CAREFULLY...  
FLAT WASHERS – EXPLANATION OF AMATOM PART NUMBERS**



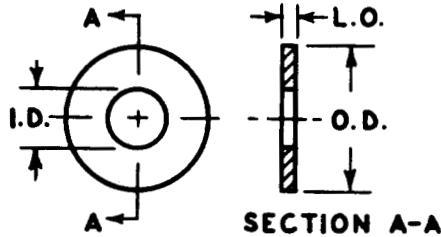
**PLEASE READ THIS CAREFULLY...  
SHOULDER WASHERS –  
EXPLANATION OF AMATOM PART NUMBERS**

2711-21650-F140-30





## FLAT INSULATING WASHERS SCREW CLEARANCE NOS. 00, 0, 1, 2, 3



TOLERANCES	
I.D.	+ .010, - .000
O.D.	+ .015, - .005
L.O.	± .003 for .016 - .032 Thick.
	± .005 for .040 - .047 Thick
	± .006 for .062 Thick.
	± .009 for .093 Thick.
	± .010 for .094 Thick. & over

SCREW SIZE	I. D.	L. O.	O. D.	MATERIAL		
				NYLON (N)	TEFLON (T)	PHENOLIC†
00 (.047)	.055	.016	.125	2199-N055	2199-T055	2199-PH055
0 (.060)	.063	.016	.187	2201-N063	2201-T063	2201-PH063
		.016	.218	2202-N063	2202-T063	2202-PH063
		.016	.250	2203-N063	2203-T063	2203-PH063
		.016	.281	2204-N063	2204-T063	2204-PH063
		.031	.187	2252-N063	2252-T063	2252-PH063
		.031	.218	2253-N063	2253-T063	2253-PH063
		.031	.250	2254-N063	2254-T063	2254-PH063
		.031	.281	2255-N063	2255-T063	2255-PH063
		.062	.187	2314-N063	2314-T063	2314-PH063
		.062	.218	2315-N063	2315-T063	2315-PH063
		.062	.250	2316-N063	2316-T063	2316-PH063
		.062	.281	2317-N063	2317-T063	2317-PH063
		.093	.250	2338-N063	2338-T063	2338-PH063
		.093	.281	2339-N063	2339-T063	2339-PH063
		.067	.016	.125	2199-N067	2199-T067
1 (.073)	.078	.031	.187	2252-N078	2252-T078	2252-PH078

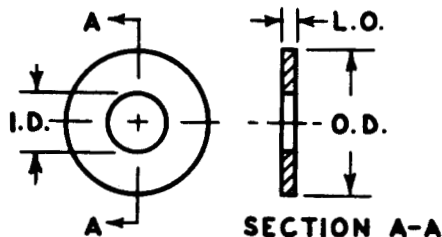
Continued

SCREW SIZE	I. D.	L. O.	O. D.	MATERIAL		
				NYLON (N)	TEFLON (T)	PHENOLIC†
2 (.086)	.089	.016	.187	2201-N089	2201-T089	2201-PH089
		.016	.218	2202-N089	2202-T089	2202-PH089
		.016	.250	2203-N089	2203-T089	2203-PH089
		.016	.281	2204-N089	2204-T089	2204-PH089
		.016	.312	2205-N089	2205-T089	2205-PH089
		.031	.187	2252-N089	2252-T089	2252-PH089
		.031	.218	2253-N089	2253-T089	2253-PH089
		.031	.250	2254-N089	2254-T089	2254-PH089
		.031	.281	2255-N089	2255-T089	2255-PH089
		.031	.312	2256-N089	2256-T089	2256-PH089
		.031	.343	2257-N089	2257-T089	2257-PH089
		.031	.375	2258-N089	2258-T089	2258-PH089
		.031	.437	2259-N089	2259-T089	2259-PH089
		.031	.500	2260-N089	2260-T089	2260-PH089
		.031	.562	2261-N089	2261-T089	2261-PH089
3 (.099)	.104	.016	.180	2200-N104	2200-T104	2200-PH104
		.016	.187	2201-N104	2201-T104	2201-PH104
		.016	.218	2202-N104	2202-T104	2202-PH104
		.016	.250	2203-N104	2203-T104	2203-PH104
		.016	.281	2204-N104	2204-T104	2204-PH104
		.016	.312	2205-N104	2205-T104	2205-PH104

†PHENOLIC (PH)

Continued next page

## FLAT INSULATING WASHERS SCREW CLEARANCE NOS. 3, 4



TOLERANCES	
I.D.	+ .010, - .000
O.D.	+ .015, - .005
L.O.	± .003 for .016 - .032 Thick.
	± .005 for .040 - .047 Thick
	± .006 for .062 Thick.
	± .009 for .093 Thick.
	± .010 for .094 Thick. & over

Continued from previous page

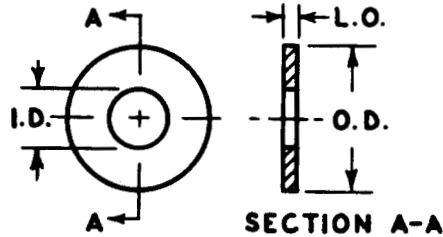
SCREW SIZE	I. D.	L. O.	O. D.	MATERIAL		
				NYLON (N)	TEFLON (T)	PHENOLIC†
3 (.099)	.104	.025	.180	2234-N104	2234-T104	2234-PH104
	↓	.031	.180	2251-N104	2251-T104	2251-PH104
	↓	.031	.187	2252-N104	2252-T104	2252-PH104
	↓	.031	.218	2253-N104	2253-T104	2253-PH104
	↓	.109	.250	2254-N109	2254-T109	2254-PH109
	↓	.104	.281	2255-N104	2255-T104	2255-PH104
	↓	.031	.312	2256-N104	2256-T104	2256-PH104
	↓	.031	.343	2257-N104	2257-T104	2257-PH104
	↓	.031	.375	2258-N104	2258-T104	2258-PH104
	↓	.031	.437	2259-N104	2259-T104	2259-PH104
	↓	.031	.500	2260-N104	2260-T104	2260-PH104
	↓	.031	.562	2261-N104	2261-T104	2261-PH104
	↓	.031	.625	2264-N104	2264-T104	2264-PH104
	↓	.062	.250	2316-N104	2316-T104	2316-PH104
	↓	.062	.281	2317-N104	2317-T104	2317-PH104
	↓	.062	.312	2318-N104	2318-T104	2318-PH104
	↓	.062	.343	2319-N104	2319-T104	2319-PH104
	↓	.062	.375	2320-N104	2320-T104	2320-PH104
	↓	.062	.437	2321-N104	2321-T104	2321-PH104
	↓	.062	.500	2322-N104	2322-T104	2322-PH104
	↓	.062	.562	2323-N104	2323-T104	2323-PH104
	↓	.062	.625	2326-N104	2326-T104	2326-PH104

Continued

SCREW SIZE	I. D.	L. O.	O. D.	MATERIAL		
				NYLON (N)	TEFLON (T)	PHENOLIC†
4 (.112)	.116	.016	.187	2201-N116	2201-T116	2201-PH116
	↓	.016	.218	2202-N116	2202-T116	2202-PH116
	↓	.120	.250	2203-N120	2203-T120	2203-PH120
	↓	.116	.281	2204-N116	2204-T116	2204-PH116
	↓	.016	.312	2205-N116	2205-T116	2205-PH116
	↓	.120	.281	2221-N120	2221-T120	2221-PH120
	↓	.116	.187	2252-N116	2252-T116	2252-PH116
	↓	.031	.218	2253-N116	2253-T116	2253-PH116
	↓	.031	.250	2254-N116	2254-T116	2254-PH116
	↓	.120	.281	2255-N120	2255-T120	2255-PH120
	↓	.116	.312	2256-N116	2256-T116	2256-PH116
	↓	.031	.343	2257-N116	2257-T116	2257-PH116
	↓	.031	.375	2258-N116	2258-T116	2258-PH116
	↓	.031	.437	2259-N116	2259-T116	2259-PH116
	↓	.031	.500	2260-N116	2260-T116	2260-PH116
	↓	.031	.562	2261-N116	2261-T116	2261-PH116
	↓	.031	.625	2264-N116	2264-T116	2264-PH116
	↓	.120	.281	2275-N120	2275-T120	2275-PH120
	↓	.116	.281	2288-N116	2288-T116	2288-PH116
	↓	.062	.250	2316-N116	2316-T116	2316-PH116
	↓	.120	.281	2317-N120	2317-T120	2317-PH120
	↓	.116	.312	2318-N116	2318-T116	2318-PH116
	↓	.062	.343	2319-N116	2319-T116	2319-PH116
	↓	.125	.375	2320-N125	2320-T125	2320-PH125
↓	.116	.437	2321-N116	2321-T116	2321-PH116	
↓	.062	.500	2322-N116	2322-T116	2322-PH116	
↓	.062	.562	2323-N116	2323-T116	2323-PH116	
↓	.062	.625	2326-N116	2326-T116	2326-PH116	

†PHENOLIC (PH)

## FLAT INSULATING WASHERS SCREW CLEARANCE NOS. 5, 6



TOLERANCES	
I.D.	+ .010, - .000
O.D.	+ .015, - .005
L.O.	± .003 for .016 - .032 Thick.
	± .005 for .040 - .047 Thick
	± .006 for .062 Thick.
	± .009 for .093 Thick.
	± .010 for .094 Thick. & over

SCREW SIZE	I. D.	L. O.	O. D.	MATERIAL		
				NYLON (N)	TEFLON (T)	PHENOLIC†
5 (.125)	.129	.016	.187	2201-N129	2201-T129	2201-PH129
		.016	.218	2202-N129	2202-T129	2202-PH129
		.016	.250	2203-N129	2203-T129	2203-PH129
		.016	.281	2204-N129	2204-T129	2204-PH129
		.016	.312	2205-N129	2205-T129	2205-PH129
		.031	.187	2252-N129	2252-T129	2252-PH129
		.031	.218	2253-N129	2253-T129	2253-PH129
		.031	.250	2254-N129	2254-T129	2254-PH129
		.031	.281	2255-N129	2255-T129	2255-PH129
		.031	.312	2256-N129	2256-T129	2256-PH129
		.031	.343	2257-N129	2257-T129	2257-PH129
		.031	.375	2258-N129	2258-T129	2258-PH129
		.031	.437	2259-N129	2259-T129	2259-PH129
		.031	.500	2260-N129	2260-T129	2260-PH129
		.031	.562	2261-N129	2261-T129	2261-PH129
		.031	.625	2264-N129	2264-T129	2264-PH129
		.040	.218	2273-N129	2273-T129	2273-PH129
		.047	.312	2289-N129	2289-T129	2289-PH129
		.062	.250	2316-N129	2316-T129	2316-PH129
		.062	.281	2317-N129	2317-T129	2317-PH129
		.062	.312	2318-N129	2318-T129	2318-PH129
		.062	.343	2319-N129	2319-T129	2319-PH129
		.062	.375	2320-N129	2320-T129	2320-PH129
		.062	.437	2321-N129	2321-T129	2321-PH129
		.062	.500	2322-N129	2322-T129	2322-PH129
		.062	.562	2323-N129	2323-T129	2323-PH129
		.062	.625	2326-N129	2326-T129	2326-PH129
		6 (.138)	.141	.016	.187	2201-N141
.016	.218			2202-N141	2202-T141	2202-PH141
.016	.250			2203-N141	2203-T141	2203-PH141
.016	.281			2204-N141	2204-T141	2204-PH141
.016	.312			2205-N141	2205-T141	2205-PH141
.031	.218			2253-N141	2253-T141	2253-PH141
.031	.250			2254-N141	2254-T141	2254-PH141
.031	.281			2255-N141	2255-T141	2255-PH141
.031	.312			2256-N141	2256-T141	2256-PH141
.031	.343			2257-N141	2257-T141	2257-PH141
.031	.375			2258-N141	2258-T141	2258-PH141
.031	.437			2259-N141	2259-T141	2259-PH141
.031	.500			2260-N141	2260-T141	2260-PH141
.031	.562			2261-N141	2261-T141	2261-PH141

SCREW SIZE	I. D.	L. O.	O. D.	MATERIAL			
				NYLON (N)	TEFLON (T)	PHENOLIC†	
6 (.138)	.141	.031	.343	2257-N141	2257-T141	2257-PH141	
		.031	.375	2258-N141	2258-T141	2258-PH141	
		.031	.437	2259-N141	2259-T141	2259-PH141	
		.031	.500	2260-N141	2260-T141	2260-PH141	
		.031	.562	2261-N141	2261-T141	2261-PH141	
		.031	.625	2264-N141	2264-T141	2264-PH141	
		.047	.312	2289-N141	2289-T141	2289-PH141	
		.062	.250	2316-N141	2316-T141	2316-PH141	
		.062	.281	2317-N141	2317-T141	2317-PH141	
		.062	.312	2318-N141	2318-T141	2318-PH141	
		.062	.343	2319-N141	2319-T141	2319-PH141	
		.062	.375	2320-N141	2320-T141	2320-PH141	
		.062	.437	2321-N141	2321-T141	2321-PH141	
		.062	.500	2322-N141	2322-T141	2322-PH141	
		.062	.562	2323-N141	2323-T141	2323-PH141	
		.062	.625	2326-N141	2326-T141	2326-PH141	
		.093	.312	2340-N141	2340-T141	2340-PH141	
		.093	.343	2341-N141	2341-T141	2341-PH141	
		.093	.375	2342-N141	2342-T141	2342-PH141	
		.093	.437	2344-N141	2344-T141	2344-PH141	
		.093	.500	2345-N141	2345-T141	2345-PH141	
		.093	.562	2346-N141	2346-T141	2346-PH141	
		.093	.625	2349-N141	2349-T141	2349-PH141	
		.150	.312	2222-N150	2222-T150	2222-PH150	
		.031	.312	2256-N150	2256-T150	2256-PH150	
		.040	.312	2276-N150	2276-T150	2276-PH150	
		.050	.312	2301-N150	2301-T150	2301-PH150	
		.062	.312	2318-N150	2318-T150	2318-PH150	
		.156	.031	.312	2256-N156	2256-T156	2256-PH156
		.031	.500	2260-N156	2260-T156	2260-PH156	
		.063	.375	2320-N156	2320-T156	2320-PH156	
		.158	.135	.375	2376-N158	2376-T158	2376-PH158
.163	.125	.377	2361-N163	2361-T163	2361-PH163		
.163	.125	.500	2363-N163	2363-T163	2363-PH163		

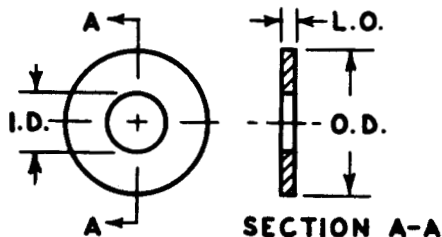
†PHENOLIC (PH)

Continued

5 Pasco Hill Road • Cromwell, CT 06416-1093  
 Phone: 860-828-0847 • Call Toll Free: 800-243-6032 • Fax: 860-828-0381  
 Web Address: <http://www.amatom.com> • E-Mail: [sales@amatom.com](mailto:sales@amatom.com)

## FLAT INSULATING WASHERS

### SCREW CLEARANCE NOS. 8, 10, 12



TOLERANCES	
I.D.	+ .010, - .000
O.D.	+ .015, - .005
L.O.	± .003 for .016 - .032 Thick. ± .005 for .040 - .047 Thick. ± .006 for .062 Thick. ± .009 for .093 Thick. ± .010 for .094 Thick. & over

SCREW SIZE	I. D.	L. O.	O. D.	MATERIAL					
				NYLON (N)	TEFLON (T)	PHENOLIC†			
8 (.164)	.165	.125	.625	2367-N165	2367-T165	2367-PH165			
	.171	.020	.375	2224-N171	2224-T171	2224-PH171			
↓	↓	.031	.250	2254-N171	2254-T171	2254-PH171			
		.031	.281	2255-N171	2255-T171	2255-PH171			
		.031	.312	2256-N171	2256-T171	2256-PH171			
		.031	.343	2257-N171	2257-T171	2257-PH171			
		.031	.375	2258-N171	2258-T171	2258-PH171			
		.031	.437	2259-N171	2259-T171	2259-PH171			
		.031	.500	2260-N171	2260-T171	2260-PH171			
		.031	.562	2261-N171	2261-T171	2261-PH171			
		.031	.625	2264-N171	2264-T171	2264-PH171			
		.040	.375	2278-N171	2278-T171	2278-PH171			
		.050	.375	2303-N171	2303-T171	2303-PH171			
		.062	.312	2318-N171	2318-T171	2318-PH171			
		.062	.343	2319-N171	2319-T171	2319-PH171			
		.062	.375	2320-N171	2320-T171	2320-PH171			
		.062	.437	2321-N171	2321-T171	2321-PH171			
		.062	.500	2322-N171	2322-T171	2322-PH171			
		.062	.562	2323-N171	2323-T171	2323-PH171			
		.062	.625	2326-N171	2326-T171	2326-PH171			
		.187	.016	.625	2213-N187	2213-T187	2213-PH187		
		↓	↓	.031	.375	2258-N187	2258-T187	2258-PH187	
				.062	.312	2318-N187	2318-T187	2318-PH187	
				.062	.437	2321-N187	2321-T187	2321-PH187	
				.093	.375	2342-N187	2342-T187	2342-PH187	
				.093	.437	2344-N187	2344-T187	2344-PH187	
				.093	.500	2345-N187	2345-T187	2345-PH187	
				.093	.562	2346-N187	2346-T187	2346-PH187	
				.093	.625	2349-N187	2349-T187	2349-PH187	
				.190	.125	.318	2359-N190	2359-T190	2359-PH190
↓	↓			.194	.020	.437	2225-N194	2225-T194	2225-PH194
				.031	.312	2256-N194	2256-T194	2256-PH194	
				.031	.343	2257-N194	2257-T194	2257-PH194	
		.031	.375	2258-N194	2258-T194	2258-PH194			
		.031	.437	2259-N194	2259-T194	2259-PH194			

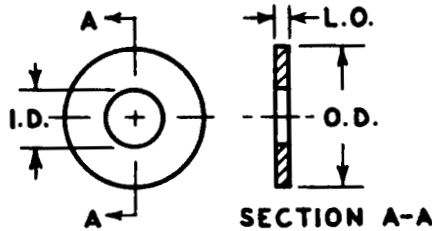
SCREW SIZE	I. D.	L. O.	O. D.	MATERIAL				
				NYLON (N)	TEFLON (T)	PHENOLIC		
10 (.190)	.190	.031	.500	2260-N194	2260-T194	2260-PH194		
	.194	.031	.562	2261-N194	2261-T194	2261-PH194		
↓	↓	.031	.625	2264-N194	2264-T194	2264-PH194		
		.031	.687	2265-N194	2265-T194	2265-PH194		
		.031	.750	2267-N194	2267-T194	2267-PH194		
		.040	.437	2279-N194	2279-T194	2279-PH194		
		.050	.437	2304-N194	2304-T194	2304-PH194		
		.062	.312	2318-N194	2318-T194	2318-PH194		
		.062	.343	2319-N194	2319-T194	2319-PH194		
		.062	.375	2320-N194	2320-T194	2320-PH194		
		.062	.437	2321-N194	2321-T194	2321-PH194		
		.062	.500	2322-N194	2322-T194	2322-PH194		
		.062	.562	2323-N194	2323-T194	2323-PH194		
		.062	.625	2326-N194	2326-T194	2326-PH194		
		.062	.687	2327-N194	2327-T194	2327-PH194		
		.062	.750	2329-N194	2329-T194	2329-PH194		
		.093	.375	2342-N194	2342-T194	2342-PH194		
		.093	.437	2344-N194	2344-T194	2344-PH194		
		.093	.500	2345-N194	2345-T194	2345-PH194		
		.093	.562	2346-N194	2346-T194	2346-PH194		
		.093	.625	2349-N194	2349-T194	2349-PH194		
		.093	.687	2350-N194	2350-T194	2350-PH194		
		.093	.750	2352-N194	2352-T194	2352-PH194		
		.200	.062	.437	2321-N200	2321-T200	2321-PH200	
		12 (.216)	↓	.031	.312	2256-N219	2256-T219	2256-PH219
				.031	.375	2258-N219	2258-T219	2258-PH219
				.031	.437	2259-N219	2259-T219	2259-PH219
				.031	.500	2260-N219	2260-T219	2260-PH219
				.062	.375	2320-N219	2320-T219	2320-PH219
				.062	.437	2321-N219	2321-T219	2321-PH219
.062	.500			2322-N219	2322-T219	2322-PH219		
.093	.437			2344-N219	2344-T219	2344-PH219		
.093	.500			2345-N219	2345-T219	2345-PH219		
.125	.278			2358-N219	2358-T219	2358-PH219		

†PHENOLIC (PH)

Continued

5 Pasco Hill Road • Cromwell, CT 06416-1093  
 Phone: 860-828-0847 • Call Toll Free: 800-243-6032 • Fax: 860-828-0381  
 Web Address: <http://www.amatom.com> • E-Mail: [sales@amatom.com](mailto:sales@amatom.com)

## FLAT INSULATING WASHERS SCREW CLEARANCE NOS. 1/4, 5/16, 3/8



TOLERANCES	
I. D.	+ .010, - .000
O. D.	+ .015, - .005
L. O.	± .003 for .016 - .032 Thick.
	± .005 for .040 - .047 Thick
	± .006 for .062 Thick.
	± .009 for .093 Thick.
	± .010 for .094 Thick. & over

INSULATING WASHERS

SCREW SIZE	I. D.	L. O.	O. D.	MATERIAL		
				NYLON (N)	TEFLON (T)	PHENOLIC†
1/4 (.250)	.253	.031	.437	2259-N253	2259-T253	2259-PH253
		.031	.500	2260-N253	2260-T253	2260-PH253
		.031	.562	2261-N253	2261-T253	2261-PH253
		.031	.625	2264-N253	2264-T253	2264-PH253
		.031	.687	2265-N253	2265-T253	2265-PH253
		.031	.750	2267-N253	2267-T253	2267-PH253
		.031	.812	2268-N253	2268-T253	2268-PH253
		.031	.875	2269-N253	2269-T253	2269-PH253
		.047	.500	2293-N253	2293-T253	2293-PH253
		.062	.437	2321-N253	2321-T253	2321-PH253
		.062	.500	2322-N253	2322-T253	2322-PH253
		.062	.562	2323-N253	2323-T253	2323-PH253
		.062	.625	2326-N253	2326-T253	2326-PH253
		.062	.687	2327-N253	2327-T253	2327-PH253
		.062	.750	2329-N253	2329-T253	2329-PH253
		.062	.812	2330-N253	2330-T253	2330-PH253
		.062	.875	2331-N253	2331-T253	2331-PH253
		.093	.437	2344-N253	2344-T253	2344-PH253
		.093	.500	2345-N253	2345-T253	2345-PH253
		.093	.562	2346-N253	2346-T253	2346-PH253
		.093	.625	2349-N253	2349-T253	2349-PH253
		.093	.687	2350-N253	2350-T253	2350-PH253
		.125	.312	2359-N253	2359-T253	2359-PH253
		.260	.020	2231-N260	2231-T260	2231-PH260
		.031	.687	2265-N260	2265-T260	2265-PH260
		.031	.875	2269-N260	2269-T260	2269-PH260
		.040	.687	2285-N260	2285-T260	2285-PH260
		.050	.687	2310-N260	2310-T260	2310-PH260
		.062	.562	2323-N260	2323-T260	2323-PH260
		.062	.687	2327-N260	2327-T260	2327-PH260
.281	.062	2326-N281	2326-T281	2326-PH281		
.307	.125	2365-N307	2365-T307	2365-PH307		

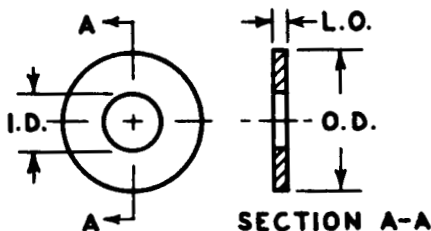
Continued

SCREW SIZE	I. D.	L. O.	O. D.	MATERIAL				
				NYLON (N)	TEFLON (T)	PHENOLIC†		
5/16 (.312)	.317	.020	.500	2226-N317	2226-T317	2226-PH317		
		.031	.500	2260-N317	2260-T317	2260-PH317		
		.031	.562	2261-N317	2261-T317	2261-PH317		
		.031	.625	2264-N317	2264-T317	2264-PH317		
		.031	.687	2265-N317	2265-T317	2265-PH317		
		.031	.750	2267-N317	2267-T317	2267-PH317		
		.062	.500	2322-N317	2322-T317	2322-PH317		
		.062	.562	2323-N317	2323-T317	2323-PH317		
		.062	.625	2326-N317	2326-T317	2326-PH317		
		.062	.687	2327-N317	2327-T317	2327-PH317		
		.062	.750	2329-N317	2329-T317	2329-PH317		
		.093	.500	2345-N317	2345-T317	2345-PH317		
		.093	.562	2346-N317	2346-T317	2346-PH317		
		.093	.625	2349-N317	2349-T317	2349-PH317		
		.093	.687	2350-N317	2350-T317	2350-PH317		
		.093	.750	2352-N317	2352-T317	2352-PH317		
		3/8 (.375)	.385	.031	.625	2264-N385	2264-T385	2264-PH385
				.031	.687	2265-N385	2265-T385	2265-PH385
				.031	.750	2267-N385	2267-T385	2267-PH385
				.031	1.000	2270-N385	2270-T385	2270-PH385
.047	.625			2297-N385	2297-T385	2297-PH385		
.062	.625			2326-N385	2326-T385	2326-PH385		

†PHENOLIC (PH)

Continued next page

## FLAT INSULATING WASHERS SCREW CLEARANCE NOS. 3/8, 7/16, 1/2, 9/16



TOLERANCES	
I. D.	+ .010, - .000
O. D.	+ .015, - .005
L. O.	± .003 for .016 - .032 Thick.
	± .005 for .040 - .047 Thick
	± .006 for .062 Thick.
	± .009 for .093 Thick.
	± .010 for .094 Thick. & over

Continued from previous page

SCREW SIZE	I. D.	L. O.	O. D.	MATERIAL					
				NYLON (N)	TEFLON (T)	PHENOLIC†			
3/8 (.375)	.385	.062	.687	2327-N385	2327-T385	2327-PH385			
			.750	2329-N385	2329-T385	2329-PH385			
			1.000	2332-N385	2332-T385	2332-PH385			
			.625	2349-N385	2349-T385	2349-PH385			
			.687	2350-N385	2350-T385	2350-PH385			
			.750	2352-N385	2352-T385	2352-PH385			
			1.000	2355-N385	2355-T385	2355-PH385			
			.609	2296-N391	2296-T391	2296-PH391			
			.437	2242-N395	2242-T395	2242-PH395			
			.812	2330-N406	2330-T406	2330-PH406			
			7/16 (.437)	.443	.031	.687	2265-N443	2265-T443	2265-PH443
						.750	2267-N443	2267-T443	2267-PH443
.812	2268-N443	2268-T443				2268-PH443			
.875	2269-N443	2269-T443				2269-PH443			
.687	2327-N443	2327-T443				2327-PH443			
.750	2329-N443	2329-T443				2329-PH443			
.812	2330-N443	2330-T443				2330-PH443			
.875	2331-N443	2331-T443				2331-PH443			
.687	2350-N443	2350-T443				2350-PH443			
.750	2352-N443	2352-T443				2352-PH443			
.812	2353-N443	2353-T443				2353-PH443			
.875	2354-N443	2354-T443				2354-PH443			
.750	2267-N473	2267-T473	2267-PH473						

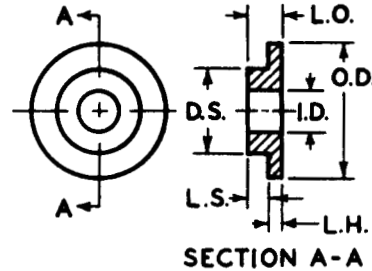
Continued

SCREW SIZE	I. D.	L. O.	O. D.	MATERIAL					
				NYLON (N)	TEFLON (T)	PHENOLIC†			
1/2 (.500)	.515	.031	.750	2267-N515	2267-T515	2267-PH515			
			.875	2269-N515	2269-T515	2269-PH515			
			1.000	2270-N515	2270-T515	2270-PH515			
			.750	2329-N515	2329-T515	2329-PH515			
			.875	2331-N515	2331-T515	2331-PH515			
			1.000	2332-N515	2332-T515	2332-PH515			
			.750	2352-N515	2352-T515	2352-PH515			
			.875	2354-N515	2354-T515	2354-PH515			
			1.000	2355-N515	2355-T515	2355-PH515			
			.730	2369-N525	2369-T525	2369-PH525			
			9/16 (.562)	.569	.031	.750	2267-N569	2267-T569	2267-PH569
						.875	2269-N569	2269-T569	2269-PH569
1.000	2270-N569	2270-T569				2270-PH569			
1.125	2271-N569	2271-T569				2271-PH569			
1.250	2272-N569	2272-T569				2272-PH569			
.750	2329-N569	2329-T569				2329-PH569			
.875	2331-N569	2331-T569				2331-PH569			
1.000	2332-N569	2332-T569				2332-PH569			
1.125	2333-N569	2333-T569				2333-PH569			
1.250	2334-N569	2334-T569				2334-PH569			
.750	2352-N569	2352-T569				2352-PH569			
.875	2354-N569	2354-T569				2354-PH569			
1.000	2355-N569	2355-T569	2355-PH569						
1.125	2356-N569	2356-T569	2356-PH569						
1.250	2357-N569	2357-T569	2357-PH569						
.730	2369-N567	2369-T567	2369-PH567						
.875	2372-N569	2372-T569	2372-PH569						
1.000	2373-N569	2373-T569	2373-PH569						
1.125	2374-N569	2374-T569	2374-PH569						
1.250	2375-N569	2375-T569	2375-PH569						

†PHENOLIC (PH)

## INSULATING SHOULDER WASHERS SCREW CLEARANCE NOS. 00, 0

TOLERANCES			
I. D.	+ .010, - .000	L. H.	± .005
D. S.	+ .000, - .010	L. O.	± .005 for .047 - .065 Thick.
L. S.	REF.		± .008 for .075 - .094 Thick.
O. D.	+ .015, - .005		± .010 for .095 Thick. & over

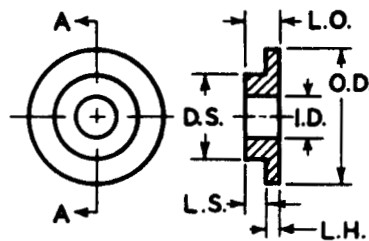


SCREW SIZE	I. D.	D. S.	L. S.	O. D.	L. H.	L. O.	MATERIAL		
							NYLON (N)	TEFLON (T)	PHENOLIC (PH)
	.046	.140	.015	.187	.015	.030	2552-14015-N046	2552-14015-T046	**2552-14015-PH046
00 (.047)	.055 ↓	.125 .125	.028 .060	.250 .344	.028 .016	.056 .076	2630-12528-N055 2561-12560-N055	2630-12528-T055 2561-12560-T055	**2630-12528-PH055 **2561-12560-PH055
0 (.060)	.063 ↓	.090 .090 .090	.025 .025 .025	.156 .187 .250	.031 .031 .031	.056 .056 .056	2626-09025-N063 2627-09025-N063 2630-09025-N063	2626-09025-T063 2627-09025-T063 2630-09025-T063	2626-09025-PH063 2627-09025-PH063 2630-09025-PH063
		.092 .122 .122	.017 .025 .025	.156 .156 .187	.013 .031 .031	.030 .056 .056	2551-09217-N063 2626-12225-N063 2627-12225-N063	2551-09217-T063 2626-12225-T063 2627-12225-T063	**2551-09217-PH063 2626-12225-PH063 2627-12225-PH063
		.122 .125 .125 .156	.025 .020 .030 .075	.250 .187 .187 .250	.031 .040 .025 .032	.056 .060 .055 .107	2630-12225-N063 2657-12520-N063 2602-12530-N063 2630-15675-N063	2630-12225-T063 2657-12520-T063 2602-12530-T063 2630-15675-T063	2630-12225-PH063 2657-12520-PH063 **2602-12530-PH063 2630-15675-PH063
	.078 .083 ↓	.150 .123 .135	.050 .022 .022	.215 .240 .240	.031 .018 .018	.081 .040 .040	2628-15050-N078 2579-12322-N083 2579-13522-N083	2628-15050-T078 2579-12322-T083 2579-13522-T083	2628-15050-PH078 **2579-12322-PH083 **2579-13522-PH083

NOTE: \*\* Not available machined in Phenolic with L.H. thinner than .031. Can be molded if required. Special order only.

## INSULATING SHOULDER WASHERS SCREW CLEARANCE NO. 2

TOLERANCES			
I. D.	+ .010, - .000	L. H.	± .005
D. S.	+ .000, - .010	L. O.	± .005 for .047 - .065 Thick.
L. S.	REF.		± .008 for .075 - .094 Thick.
O. D.	+ .015, - .005		± .010 for .095 Thick. & over



SECTION A-A

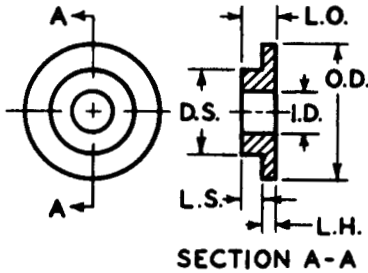
SCREW SIZE	I. D.	D. S.	L. S.	O. D.	L. H.	L. O.	MATERIAL		
							NYLON (N)	TEFLON (T)	PHENOLIC (PH)
2 (.086)	.093	.122	.025	.187	.031	.056	2627-12225-N093	2627-12225-T093	2627-12225-PH093
		.122	.025	.187	.062	.087	2701-12225-N093	2701-12225-T093	2701-12225-PH093
		.122	.025	.218	.031	.056	2628-12225-N093	2628-12225-T093	2628-12225-PH093
		.122	.025	.218	.062	.087	2702-12225-N093	2702-12225-T093	2702-12225-PH093
		.122	.025	.250	.031	.056	2630-12225-N093	2630-12225-T093	2630-12225-PH093
		.122	.025	.250	.062	.087	2704-12225-N093	2704-12225-T093	2704-12225-PH093
		.122	.025	.312	.031	.056	2634-12225-N093	2634-12225-T093	2634-12225-PH093
		.122	.025	.312	.062	.087	2707-12225-N093	2707-12225-T093	2707-12225-PH093
		.122	.025	.375	.031	.056	2638-12225-N093	2638-12225-T093	2638-12225-PH093
		.122	.025	.375	.062	.087	2711-12225-N093	2711-12225-T093	2711-12225-PH093
		.124	.007	.234	.020	.027	2579-12407-N093	2579-12407-T093	**2579-12407-PH093
		.124	.025	.250	.031	.056	2630-12425-N093	2630-12425-T093	2630-12425-PH093
		.140	.020	.250	.031	.051	2630-14020-N093	2630-14020-T093	2630-14020-PH093
		.152	.025	.218	.031	.056	2628-15225-N093	2628-15225-T093	2628-15225-PH093
		.152	.025	.218	.062	.087	2702-15225-N093	2702-15225-T093	2702-15225-PH093
		.152	.025	.250	.031	.056	2630-15225-N093	2630-15225-T093	2630-15225-PH093
		.152	.025	.250	.062	.087	2704-15225-N093	2704-15225-T093	2704-15225-PH093
		.152	.025	.312	.031	.056	2634-15225-N093	2634-15225-T093	2634-15225-PH093
		.152	.025	.312	.062	.087	2707-15225-N093	2707-15225-T093	2707-15225-PH093
		.152	.025	.375	.031	.056	2638-15225-N093	2638-15225-T093	2638-15225-PH093
		.152	.025	.375	.062	.087	2711-15225-N093	2711-15225-T093	2711-15225-PH093
		.154	.008	.219	.033	.041	2628-15408-N093	2628-15408-T093	2628-15408-PH093
		.157	.015	.265	.026	.041	2606-15715-N093	2606-15715-T093	2606-15715-PH093
		.157	.046	.250	.046	.092	2676-15746-N093	2676-15746-T093	2676-15746-PH093
		.183	.030	.317	.060	.090	2707-18330-N093	2707-18330-T093	2707-18330-PH093
		.185	.025	.250	.031	.056	2630-18525-N093	2630-18525-T093	2630-18525-PH093
		.185	.025	.250	.062	.087	2704-18525-N093	2704-18525-T093	2704-18525-PH093
		.185	.025	.312	.031	.056	2634-18525-N093	2634-18525-T093	2634-18525-PH093
		.185	.025	.312	.062	.087	2707-18525-N093	2707-18525-T093	2707-18525-PH093
		.185	.025	.375	.031	.056	2638-18525-N093	2638-18525-T093	2638-18525-PH093
.185	.025	.375	.062	.087	2711-18525-N093	2711-18525-T093	2711-18525-PH093		
.185	.025	.437	.031	.056	2640-18525-N093	2640-18525-T093	2640-18525-PH093		
.185	.025	.437	.062	.087	2713-18525-N093	2713-18525-T093	2713-18525-PH093		
.138	.020	.312	.031	.051	2634-13820-N098	2634-13820-T098	2634-13820-PH098		
.170	.031	.218	.062	.093	2702-17031-N098	2702-17031-T098	2702-17031-PH098		

NOTE: \*\* Not available machined in Phenolic with L.H. thinner than .031. Can be molded if required. Special order only.

5 Pasco Hill Road • Cromwell, CT 06416-1093  
 Phone: 860-828-0847 • Call Toll Free: 800-243-6032 • Fax: 860-828-0381  
 Web Address: <http://www.amatom.com> • E-Mail: [sales@amatom.com](mailto:sales@amatom.com)



## INSULATING SHOULDER WASHERS SCREW CLEARANCE NO. 3

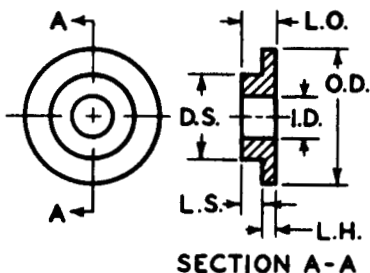


TOLERANCES			
I. D.	+ .010, - .000	L. H.	± .005
D. S.	+ .000, - .010	L. O.	± .005 for .047 - .065 Thick.
L. S.	REF.		± .008 for .075 - .094 Thick.
O. D.	+ .015, - .005		± .010 for .095 Thick. & over

SCREW SIZE	I. D.	D. S.	L. S.	O. D.	L. H.	L. O.	MATERIAL		
							NYLON (N)	TEFLON (T)	PHENOLIC (PH)
3 (.099)	.101	.152	.025	.218	.031	.056	2628-15225-N101	2628-15225-T101	2628-15225-PH101
		.152	.025	.218	.062	.087	2702-15225-N101	2702-15225-T101	2702-15225-PH101
		.152	.025	.250	.031	.056	2630-15225-N101	2630-15225-T101	2630-15225-PH101
		.152	.025	.250	.062	.087	2704-15225-N101	2704-15225-T101	2704-15225-PH101
		.152	.025	.312	.031	.056	2634-15225-N101	2634-15225-T101	2634-15225-PH101
		.152	.025	.312	.062	.087	2707-15225-N101	2707-15225-T101	2707-15225-PH101
		.152	.025	.375	.031	.056	2638-15225-N101	2638-15225-T101	2638-15225-PH101
		.152	.025	.375	.062	.087	2711-15225-N101	2711-15225-T101	2711-15225-PH101
		.152	.062	.224	.038	.100	2658-15262-N101	2658-15262-T101	2658-15262-PH101
		.160	.078	.250	.034	.112	2630-16078-N101	2630-16078-T101	2630-16078-PH101
		.165	.063	.312	.062	.125	2707-16563-N101	2707-16563-T101	2707-16563-PH101
		.171	.015	.250	.031	.046	2630-17115-N101	2630-17115-T101	2630-17115-PH101
		.185	.025	.250	.031	.056	2630-18525-N101	2630-18525-T101	2630-18525-PH101
		.185	.025	.250	.062	.087	2704-18525-N101	2704-18525-T101	2704-18525-PH101
		.185	.025	.312	.031	.056	2634-18525-N101	2634-18525-T101	2634-18525-PH101
		.185	.025	.312	.062	.087	2707-18525-N101	2707-18525-T101	2707-18525-PH101
		.185	.025	.375	.031	.056	2638-18525-N101	2638-18525-T101	2638-18525-PH101
		.185	.025	.375	.062	.087	2711-18525-N101	2711-18525-T101	2711-18525-PH101
		.185	.025	.437	.031	.056	2640-18525-N101	2640-18525-T101	2640-18525-PH101
		.185	.025	.437	.062	.087	2713-18525-N101	2713-18525-T101	2713-18525-PH101
		.185	.050	.250	.031	.081	2630-18550-N101	2630-18550-T101	2630-18550-PH101
		.185	.050	.250	.062	.112	2704-18550-N101	2704-18550-T101	2704-18550-PH101
		.185	.050	.312	.031	.081	2634-18550-N101	2634-18550-T101	2634-18550-PH101
		.185	.050	.312	.062	.112	2707-18550-N101	2707-18550-T101	2707-18550-PH101
		.185	.050	.375	.031	.081	2638-18550-N101	2638-18550-T101	2638-18550-PH101
		.185	.050	.375	.062	.112	2711-18550-N101	2711-18550-T101	2711-18550-PH101

Continued next page

## INSULATING SHOULDER WASHERS SCREW CLEARANCE NO. 3



TOLERANCES			
I. D.	+ .010, - .000	L. H.	± .005
D. S.	+ .000, - .010	L. O.	± .005 for .047 - .065 Thick.
L. S.	REF.		± .008 for .075 - .094 Thick.
O. D.	+ .015, - .005		± .010 for .095 Thick. & over

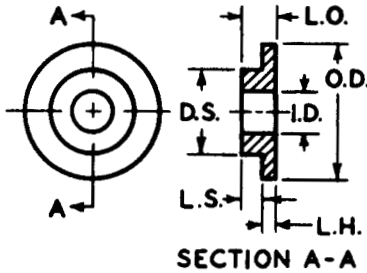
Continued from previous page

SCREW SIZE	I. D.	D. S.	L. S.	O. D.	L. H.	L. O.	MATERIAL			
							NYLON (N)	TEFLON (T)	PHENOLIC (PH)	
3 (.099)	.101	.185	.050	.437	.031	.081	2640-18550-N101	2640-18550-T101	2640-18550-PH101	
		.185	.050	.437	.062	.112	2713-18550-N101	2713-18550-T101	2713-18550-PH101	
		.187	.062	.375	.070	.132	2727-18762-N101	2727-18762-T101	2727-18762-PH101	
		.203	.020	.375	.020	.040	2588-20320-N101	2588-20320-T101	**2588-20320-PH101	
		.203	.055	.296	.055	.110	2690-20355-N101	2690-20355-T101	2690-20355-PH101	
		.216	.025	.312	.031	.056	2634-21625-N101	2634-21625-T101	2634-21625-PH101	
		.216	.025	.312	.062	.087	2707-21625-N101	2707-21625-T101	2707-21625-PH101	
		.216	.025	.375	.031	.056	2638-21625-N101	2638-21625-T101	2638-21625-PH101	
		.216	.025	.375	.062	.087	2711-21625-N101	2711-21625-T101	2711-21625-PH101	
		.216	.025	.437	.031	.056	2640-21625-N101	2640-21625-T101	2640-21625-PH101	
		.216	.025	.437	.062	.087	2713-21625-N101	2713-21625-T101	2713-21625-PH101	
		.216	.025	.500	.031	.056	2642-21625-N101	2642-21625-T101	2642-21625-PH101	
		.216	.025	.500	.062	.087	2715-21625-N101	2715-21625-T101	2715-21625-PH101	
		.216	.050	.312	.031	.081	2634-21650-N101	2634-21650-T101	2634-21650-PH101	
		.216	.050	.312	.062	.112	2707-21650-N101	2707-21650-T101	2707-21650-PH101	
		.216	.050	.375	.031	.081	2638-21650-N101	2638-21650-T101	2638-21650-PH101	
		.216	.050	.375	.062	.112	2711-21650-N101	2711-21650-T101	2711-21650-PH101	
		.216	.050	.437	.031	.081	2640-21650-N101	2640-21650-T101	2640-21650-PH101	
		.216	.050	.437	.062	.112	2713-21650-N101	2713-21650-T101	2713-21650-PH101	
		.216	.050	.500	.031	.081	2642-21650-N101	2642-21650-T101	2642-21650-PH101	
		.216	.050	.500	.062	.112	2715-21650-N101	2715-21650-T101	2715-21650-PH101	
		.113	.187	.032	.250	.032	.064	2630-18732-N113	2630-18732-T113	2630-18732-PH113
		.203	.062	.312	.031	.093	.093	2634-20362-N113	2634-20362-T113	2634-20362-PH113
		.244	.020	.375	.062	.082	.082	2711-24420-N113	2711-24420-T113	2711-24420-PH113
		.150	.018	.245	.062	.080	.080	2704-15018-N113	2704-15018-T113	2704-15018-PH113
		.115	.175	.062	.281	.031	.093	2632-17562-N115	2632-17562-T115	2632-17562-PH115
.185	.025	.343	.062	.087	.087	2709-18525-N115	2709-18525-T115	2709-18525-PH115		

NOTE: \*\* Not available machined in Phenolic with L.H. thinner than .031. Can be molded if required. Special order only.

5 Pasco Hill Road • Cromwell, CT 06416-1093  
 Phone: 860-828-0847 • Call Toll Free: 800-243-6032 • Fax: 860-828-0381  
 Web Address: <http://www.amatom.com> • E-Mail: [sales@amatom.com](mailto:sales@amatom.com)

## INSULATING SHOULDER WASHERS SCREW CLEARANCE NO. 4

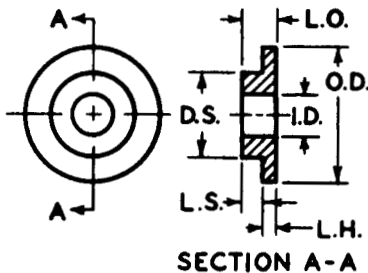


TOLERANCES			
I. D.	+ .010, - .000	L. H.	± .005
D. S.	+ .000, - .010	L. O.	± .005 for .047 - .065 Thick.
L. S.	REF.		± .008 for .075 - .094 Thick.
O. D.	+ .015, - .005		± .010 for .095 Thick. & over

SCREW SIZE	I. D.	D. S.	L. S.	O. D.	L. H.	L. O.	MATERIAL		
							NYLON (N)	TEFLON (T)	PHENOLIC (PH)
4 (.112)	.116	.185	.027	.250	.031	.058	2630-18527-N116	2630-18527-T116	2630-18527-PH116
		.185	.027	.250	.062	.089	2704-18527-N116	2704-18527-T116	2704-18527-PH116
		.185	.027	.312	.031	.058	2634-18527-N116	2634-18527-T116	2634-18527-PH116
		.185	.027	.312	.062	.089	2707-18527-N116	2707-18527-T116	2707-18527-PH116
		.185	.027	.375	.031	.058	2638-18527-N116	2638-18527-T116	2638-18527-PH116
		.185	.027	.375	.062	.089	2711-18527-N116	2711-18527-T116	2711-18527-PH116
		.185	.027	.437	.031	.058	2640-18527-N116	2640-18527-T116	2640-18527-PH116
		.185	.027	.437	.062	.089	2713-18527-N116	2713-18527-T116	2713-18527-PH116
		.185	.050	.250	.031	.081	2630-18550-N116	2630-18550-T116	2630-18550-PH116
		.185	.050	.250	.062	.112	2704-18550-N116	2704-18550-T116	2704-18550-PH116
		.185	.050	.312	.031	.081	2634-18550-N116	2634-18550-T116	2634-18550-PH116
		.185	.050	.312	.062	.112	2707-18550-N116	2707-18550-T116	2707-18550-PH116
		.185	.050	.375	.031	.081	2638-18550-N116	2638-18550-T116	2638-18550-PH116
		.185	.050	.375	.062	.112	2711-18550-N116	2711-18550-T116	2711-18550-PH116
		.185	.050	.437	.031	.081	2640-18550-N116	2640-18550-T116	2640-18550-PH116
		.185	.050	.437	.062	.112	2713-18550-N116	2713-18550-T116	2713-18550-PH116
		.187	.063	.279	.062	.125	2705-18763-N116	2705-18763-T116	2705-18763-PH116
		.216	.027	.312	.031	.058	2634-21627-N116	2634-21627-T116	2634-21627-PH116
		.216	.027	.312	.062	.089	2707-21627-N116	2707-21627-T116	2707-21627-PH116
		.216	.027	.375	.031	.058	2638-21627-N116	2638-21627-T116	2638-21627-PH116
		.216	.027	.375	.062	.089	2711-21627-N116	2711-21627-T116	2711-21627-PH116
		.216	.027	.437	.031	.058	2640-21627-N116	2640-21627-T116	2640-21627-PH116
		.216	.027	.437	.062	.089	2713-21627-N116	2713-21627-T116	2713-21627-PH116
		.216	.027	.468	.031	.058	2641-21627-N116	2641-21627-T116	2641-21627-PH116
		.216	.027	.468	.062	.089	2714-21627-N116	2714-21627-T116	2714-21627-PH116
		.216	.050	.312	.031	.081	2634-21650-N116	2634-21650-T116	2634-21650-PH116
		.216	.050	.312	.062	.112	2707-21650-N116	2707-21650-T116	2707-21650-PH116
		.216	.050	.375	.031	.081	2638-21650-N116	2638-21650-T116	2638-21650-PH116
		.216	.050	.375	.062	.112	2711-21650-N116	2711-21650-T116	2711-21650-PH116
		.216	.050	.437	.031	.081	2640-21650-N116	2640-21650-T116	2640-21650-PH116
		.216	.050	.437	.062	.112	2713-21650-N116	2713-21650-T116	2713-21650-PH116
		.216	.050	.468	.031	.081	2641-21650-N116	2641-21650-T116	2641-21650-PH116
		.216	.050	.468	.062	.112	2714-21650-N116	2714-21650-T116	2714-21650-PH116
		.248	.027	.343	.031	.058	2636-24827-N116	2636-24827-T116	2636-24827-PH116
		.248	.027	.343	.062	.089	2709-24827-N116	2709-24827-T116	2709-24827-PH116
		.248	.027	.375	.031	.058	2638-24827-N116	2638-24827-T116	2638-24827-PH116

Continued next page

## INSULATING SHOULDER WASHERS SCREW CLEARANCE NO. 4



TOLERANCES			
I. D.	+ .010, - .000	L. H.	± .005
D. S.	+ .000, - .010	L. O.	± .005 for .047 - .065 Thick.
L. S.	REF.		± .008 for .075 - .094 Thick.
O. D.	+ .015, - .005		± .010 for .095 Thick. & over

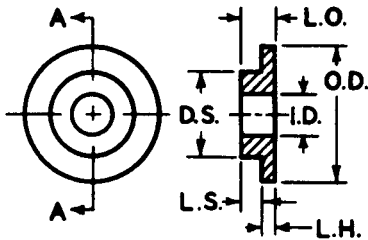
Continued from previous page

SCREW SIZE	I. D.	D. S.	L. S.	O. D.	L. H.	L. O.	MATERIAL		
							NYLON (N)	TEFLON (T)	PHENOLIC (PH)
4 (.112)	.116	.248	.027	.375	.062	.089	2711-24827-N116	2711-24827-T116	2711-24827-PH116
		.248	.027	.437	.031	.058	2640-24827-N116	2640-24827-T116	2640-24827-PH116
		.248	.027	.437	.062	.089	2713-24827-N116	2713-24827-T116	2713-24827-PH116
		.248	.027	.468	.031	.058	2641-24827-N116	2641-24827-T116	2641-24827-PH116
		.248	.027	.468	.062	.089	2714-24827-N116	2714-24827-T116	2714-24827-PH116
		.248	.027	.500	.031	.058	2642-24827-N116	2642-24827-T116	2642-24827-PH116
		.248	.027	.500	.062	.089	2715-24827-N116	2715-24827-T116	2715-24827-PH116
		.248	.027	.562	.031	.058	2644-24827-N116	2644-24827-T116	2644-24827-PH116
		.248	.027	.562	.062	.089	2717-24827-N116	2717-24827-T116	2717-24827-PH116
		.248	.027	.625	.031	.058	2646-24827-N116	2646-24827-T116	2646-24827-PH116
		.248	.027	.625	.062	.089	2718-24827-N116	2718-24827-T116	2718-24827-PH116
		.248	.050	.343	.031	.081	2636-24850-N116	2636-24850-T116	2636-24850-PH116
		.248	.050	.343	.062	.112	2709-24850-N116	2709-24850-T116	2709-24850-PH116
		.248	.050	.375	.031	.081	2638-24850-N116	2638-24850-T116	2638-24850-PH116
		.248	.050	.375	.062	.112	2711-24850-N116	2711-24850-T116	2711-24850-PH116
		.248	.050	.437	.031	.081	2640-24850-N116	2640-24850-T116	2640-24850-PH116
		.248	.050	.437	.062	.112	2713-24850-N116	2713-24850-T116	2713-24850-PH116
		.248	.050	.468	.031	.081	2641-24850-N116	2641-24850-T116	2641-24850-PH116
		.248	.050	.468	.062	.112	2714-24850-N116	2714-24850-T116	2714-24850-PH116
		.248	.050	.500	.031	.081	2642-24850-N116	2642-24850-T116	2642-24850-PH116
		.248	.050	.500	.062	.112	2715-24850-N116	2715-24850-T116	2715-24850-PH116

Continued next page

5 Pasco Hill Road • Cromwell, CT 06416-1093  
 Phone: 860-828-0847 • Call Toll Free: 800-243-6032 • Fax: 860-828-0381  
 Web Address: <http://www.amatom.com> • E-Mail: [sales@amatom.com](mailto:sales@amatom.com)

## INSULATING SHOULDER WASHERS SCREW CLEARANCE NO. 4



SECTION A-A

TOLERANCES			
I. D.	+ .010, - .000	L. H.	± .005
D. S.	+ .000, - .010	L. O.	± .005 for .047 - .065 Thick.
L. S.	REF.		± .008 for .075 - .094 Thick.
O. D.	+ .015, - .005		± .010 for .095 Thick. & over

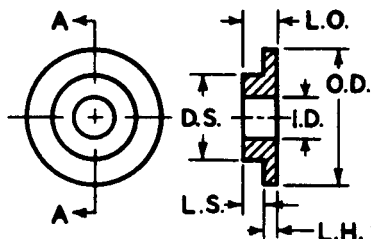
Continued from previous page

SCREW SIZE	I. D.	D. S.	L. S.	O. D.	L. H.	L. O.	MATERIAL		
							NYLON (N)	TEFLON (T)	PHENOLIC (PH)
4 (.112)	.116	.248	.050	.562	.031	.081	2644-24850-N116	2644-24850-T116	2644-24850-PH116
		.248	.050	.562	.062	.112	2717-24850-N116	2717-24850-T116	2717-24850-PH116
		.248	.050	.625	.031	.081	2646-24850-N116	2646-24850-T116	2646-24850-PH116
		.248	.050	.625	.062	.112	2718-24850-N116	2718-24850-T116	2718-24850-PH116
		.279	.027	.375	.031	.058	2638-27927-N116	2638-27927-T116	2638-27927-PH116
		.279	.027	.375	.062	.089	2711-27927-N116	2711-27927-T116	2711-27927-PH116
		.279	.027	.437	.031	.058	2640-27927-N116	2640-27927-T116	2640-27927-PH116
		.279	.027	.437	.062	.089	2713-27927-N116	2713-27927-T116	2713-27927-PH116
		.279	.027	.468	.031	.058	2641-27927-N116	2641-27927-T116	2641-27927-PH116
		.279	.027	.468	.062	.089	2714-27927-N116	2714-27927-T116	2714-27927-PH116
		.279	.027	.500	.031	.058	2642-27927-N116	2642-27927-T116	2642-27927-PH116
		.279	.027	.500	.062	.089	2715-27927-N116	2715-27927-T116	2715-27927-PH116
		.279	.027	.562	.031	.058	2644-27927-N116	2644-27927-T116	2644-27927-PH116
		.279	.027	.562	.062	.089	2717-27927-N116	2717-27927-T116	2717-27927-PH116
		.279	.027	.625	.031	.058	2646-27927-N116	2646-27927-T116	2646-27927-PH116
		.279	.027	.625	.062	.089	2718-27927-N116	2718-27927-T116	2718-27927-PH116
		.279	.050	.375	.031	.081	2638-27950-N116	2638-27950-T116	2638-27950-PH116
		.279	.050	.375	.062	.112	2711-27950-N116	2711-27950-T116	2711-27950-PH116
		.279	.050	.437	.031	.081	2640-27950-N116	2640-27950-T116	2640-27950-PH116
		.279	.050	.437	.062	.112	2713-27950-N116	2713-27950-T116	2713-27950-PH116
		.279	.050	.468	.031	.081	2641-27950-N116	2641-27950-T116	2641-27950-PH116
		.279	.050	.468	.062	.112	2714-27950-N116	2714-27950-T116	2714-27950-PH116
		.279	.050	.500	.031	.081	2642-27950-N116	2642-27950-T116	2642-27950-PH116
		.279	.050	.500	.062	.112	2715-27950-N116	2715-27950-T116	2715-27950-PH116
		.279	.050	.562	.031	.081	2644-27950-N116	2644-27950-T116	2644-27950-PH116
		.279	.050	.562	.062	.112	2717-27950-N116	2717-27950-T116	2717-27950-PH116
		.279	.050	.625	.031	.081	2646-27950-N116	2646-27950-T116	2646-27950-PH116
		.279	.050	.625	.062	.112	2718-27950-N116	2718-27950-T116	2718-27950-PH116
		.310	.027	.437	.031	.058	2640-31027-N116	2640-31027-T116	2640-31027-PH116
		.310	.027	.437	.062	.089	2713-31027-N116	2713-31027-T116	2713-31027-PH116
		.310	.027	.468	.031	.058	2641-31027-N116	2641-31027-T116	2641-31027-PH116
		.310	.027	.468	.062	.089	2714-31027-N116	2714-31027-T116	2714-31027-PH116
		.310	.027	.500	.031	.058	2642-31027-N116	2642-31027-T116	2642-31027-PH116
		.310	.027	.500	.062	.089	2715-31027-N116	2715-31027-T116	2715-31027-PH116
		.310	.027	.562	.031	.058	2644-31027-N116	2644-31027-T116	2644-31027-PH116
		.310	.027	.562	.062	.089	2717-31027-N116	2717-31027-T116	2717-31027-PH116
		.310	.027	.625	.031	.058	2646-31027-N116	2646-31027-T116	2646-31027-PH116
		.310	.027	.625	.062	.089	2718-31027-N116	2718-31027-T116	2718-31027-PH116
		.310	.050	.437	.031	.081	2640-31050-N116	2640-31050-T116	2640-31050-PH116

Continued next page

## INSULATING SHOULDER WASHERS

### SCREW CLEARANCE NO. 4



SECTION A-A

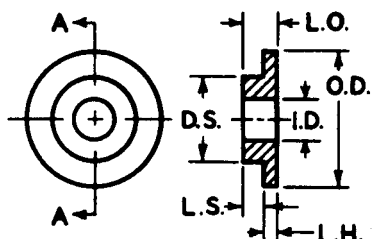
TOLERANCES			
I. D.	+ .010, - .000	L. H.	± .005
D. S.	+ .000, - .010	L. O.	± .005 for .047 - .065 Thick.
L. S.	REF.		± .008 for .075 - .094 Thick.
O. D.	+ .015, - .005		± .010 for .095 Thick. & over

Continued from previous page

SCREW SIZE	I. D.	D. S.	L. S.	O. D.	L. H.	L. O.	MATERIAL			
							NYLON (N)	TEFLON (T)	PHENOLIC (PH)	
4 (.112)	.116	.310	.050	.437	.062	.112	2713-31050-N116	2713-31050-T116	2713-31050-PH116	
		.310	.050	.468	.031	.081	2641-31050-N116	2641-31050-T116	2641-31050-PH116	
		.310	.050	.468	.062	.112	2714-31050-N116	2714-31050-T116	2714-31050-PH116	
		.310	.050	.500	.031	.081	2642-31050-N116	2642-31050-T116	2642-31050-PH116	
		.310	.050	.500	.062	.112	2715-31050-N116	2715-31050-T116	2715-31050-PH116	
		.310	.050	.562	.031	.081	2644-31050-N116	2644-31050-T116	2644-31050-PH116	
		.310	.050	.562	.062	.112	2717-31050-N116	2717-31050-T116	2717-31050-PH116	
		.310	.050	.625	.031	.081	2646-31050-N116	2646-31050-T116	2646-31050-PH116	
		.310	.050	.625	.062	.112	2718-31050-N116	2718-31050-T116	2718-31050-PH116	
		.118	.177	.015	.281	.031	.046	2632-17715-N118	2632-17715-T118	2632-17715-PH118
		.120	.180	.031	.312	.062	.093	2707-18031-N120	2707-18031-T120	2707-18031-PH120
			.190	.022	.375	.040	.062	2666-19022-N120	2666-19022-T120	2666-19022-PH120
			.190	.045	.312	.045	.090	2678-19045-N120	2678-19045-T120	2678-19045-PH120
			.191	.027	.250	.032	.059	2630-19127-N120	2630-19127-T120	2630-19127-PH120
			.214	.031	.312	.031	.062	2634-21431-N120	2634-21431-T120	2634-21431-PH120

5 Pasco Hill Road • Cromwell, CT 06416-1093  
 Phone: 860-828-0847 • Call Toll Free: 800-243-6032 • Fax: 860-828-0381  
 Web Address: <http://www.amatom.com> • E-Mail: [sales@amatom.com](mailto:sales@amatom.com)

## INSULATING SHOULDER WASHERS SCREW CLEARANCE NO. 5



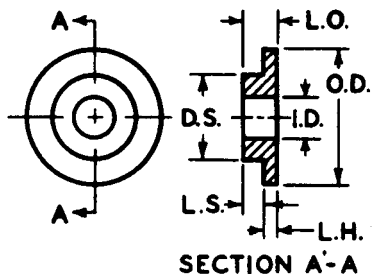
SECTION A-A

TOLERANCES			
I. D.	+ .010, - .000	L. H.	± .005
D. S.	+ .000, - .010	L. O.	± .005 for .047 - .065 Thick.
L. S.	REF.		± .008 for .075 - .094 Thick.
O. D.	+ .015, - .005		± .010 for .095 Thick. & over

SCREW SIZE	I. D.	D. S.	L. S.	O. D.	L. H.	L. O.	MATERIAL		
							NYLON (N)	TEFLON (T)	PHENOLIC (PH)
5 (.125)	.126	.170	.020	.250	.020	.040	2580-17020-N126	2580-17020-T126	**2580-17020-PH126
		.171	.031	.437	.062	.093	2713-17131-N126	2713-17131-T126	2713-17131-PH126
		.175	.025	.312	.062	.087	2707-17525-N126	2707-17525-T126	2707-17525-PH126
		.185	.027	.250	.031	.058	2630-18527-N126	2630-18527-T126	2630-18527-PH126
		.185	.027	.250	.062	.089	2704-18527-N126	2704-18527-T126	2704-18527-PH126
		.185	.027	.312	.031	.058	2634-18527-N126	2634-18527-T126	2634-18527-PH126
		.185	.027	.312	.062	.089	2707-18527-N126	2707-18527-T126	2707-18527-PH126
		.185	.027	.375	.031	.058	2638-18527-N126	2638-18527-T126	2638-18527-PH126
		.185	.027	.375	.062	.089	2711-18527-N126	2711-18527-T126	2711-18527-PH126
		.185	.027	.437	.031	.058	2640-18527-N126	2640-18527-T126	2640-18527-PH126
		.185	.027	.437	.062	.089	2713-18527-N126	2713-18527-T126	2713-18527-PH126
		.185	.047	.312	.047	.094	2678-18547-N126	2678-18547-T126	2678-18547-PH126
		.185	.050	.250	.031	.081	2630-18550-N126	2630-18550-T126	2630-18550-PH126
		.185	.050	.250	.062	.112	2704-18550-N126	2704-18550-T126	2704-18550-PH126
		.185	.050	.312	.031	.081	2634-18550-N126	2634-18550-T126	2634-18550-PH126
		.185	.050	.312	.062	.112	2707-18550-N126	2707-18550-T126	2707-18550-PH126
		.185	.050	.375	.031	.081	2638-18550-N126	2638-18550-T126	2638-18550-PH126
		.185	.050	.375	.062	.112	2711-18550-N126	2711-18550-T126	2711-18550-PH126
		.185	.050	.437	.031	.081	2640-18550-N126	2640-18550-T126	2640-18550-PH126
		.185	.050	.437	.062	.112	2713-18550-N126	2713-18550-T126	2713-18550-PH126
		.187	.031	.375	.047	.078	2680-18731-N126	2680-18731-T126	2680-18731-PH126
		.188	.020	.312	.094	.114	2737-18820-N126	2737-18820-T126	2737-18820-PH126
		.188	.031	.313	.063	.094	2707-18831-N126	2707-18831-T126	2707-18831-PH126
		.190	.040	.312	.045	.085	2678-19040-N126	2678-19040-T126	2678-19040-PH126
		.190	.040	.375	.040	.080	2666-19040-N126	2666-19040-T126	2666-19040-PH126
		.199	.093	.245	.063	.156	2704-19993-N126	2704-19993-T126	2704-19993-PH126
		.216	.027	.312	.031	.058	2634-21627-N126	2634-21627-T126	2634-21627-PH126
		.216	.027	.312	.062	.089	2707-21627-N126	2707-21627-T126	2707-21627-PH126
		.216	.027	.375	.031	.058	2638-21627-N126	2638-21627-T126	2638-21627-PH126
		.216	.027	.375	.062	.089	2711-21627-N126	2711-21627-T126	2711-21627-PH126
		.216	.027	.437	.031	.058	2640-21627-N126	2640-21627-T126	2640-21627-PH126
		.216	.027	.437	.062	.089	2713-21627-N126	2713-21627-T126	2713-21627-PH126
		.216	.027	.468	.031	.058	2641-21627-N126	2641-21627-T126	2641-21627-PH126
		.216	.027	.468	.062	.089	2714-21627-N126	2714-21627-T126	2714-21627-PH126
		.216	.050	.312	.031	.081	2634-21650-N126	2634-21650-T126	2634-21650-PH126

Continued next page

## INSULATING SHOULDER WASHERS SCREW CLEARANCE NO. 5



TOLERANCES	
I. D. +.010, -.000	L. H. ±.005
D. S. +.000, -.010	L. O. ±.005 for .047 - .065 Thick.
L. S. REF.	±.008 for .075 - .094 Thick.
O. D. +.015, -.005	±.010 for .095 Thick. & over

Continued from previous page

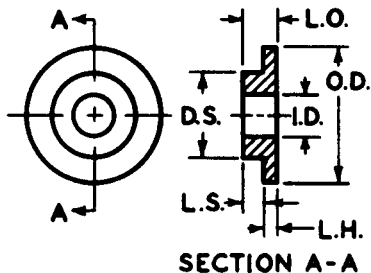
SCREW SIZE	I. D.	D. S.	L. S.	O. D.	L. H.	L. O.	MATERIAL		
							NYLON (N)	TEFLON (T)	PHENOLIC (PH)
5 (.125)	.126	.216	.050	.312	.062	.112	2707-21650-N126	2707-21650-T126	2707-21650-PH126
		.216	.050	.375	.031	.081	2638-21650-N126	2638-21650-T126	2638-21650-PH126
		.216	.050	.375	.062	.112	2711-21650-N126	2711-21650-T126	2711-21650-PH126
		.216	.050	.437	.031	.081	2640-21650-N126	2640-21650-T126	2640-21650-PH126
		.216	.050	.437	.062	.112	2713-21650-N126	2713-21650-T126	2713-21650-PH126
		.216	.050	.468	.031	.081	2641-21650-N126	2641-21650-T126	2641-21650-PH126
		.216	.050	.468	.062	.112	2714-21650-N126	2714-21650-T126	2714-21650-PH126
		.218	.012	.343	.050	.062	2692-21812-N126	2692-21812-T126	2692-21812-PH126
		.219	.047	.438	.047	.094	2681-21947-N126	2681-21947-T126	2681-21947-PH126
		.225	.020	.312	.042	.062	2662-22520-N126	2662-22520-T126	2662-22520-PH126
		.248	.027	.343	.031	.058	2636-24827-N126	2636-24827-T126	2636-24827-PH126
		.248	.027	.343	.062	.089	2709-24827-N126	2709-24827-T126	2709-24827-PH126
		.248	.027	.375	.031	.058	2638-24827-N126	2638-24827-T126	2638-24827-PH126
		.248	.027	.375	.062	.089	2711-24827-N126	2711-24827-T126	2711-24827-PH126
		.248	.027	.437	.031	.058	2640-24827-N126	2640-24827-T126	2640-24827-PH126

NOTE: \*\* Not available machined in Phenolic with L.H. thinner than .031. Can be molded if required. Special order only.

Continued next page



## INSULATING SHOULDER WASHERS SCREW CLEARANCE NO. 5



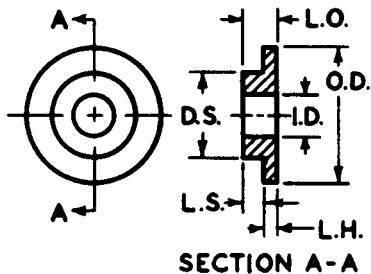
TOLERANCES	
I. D. +.010, -.000	L. H. ±.005
D. S. +.000, -.010	L. O. ±.005 for .047 - .065 Thick.
L. S. REF.	±.008 for .075 - .094 Thick.
O. D. +.015, -.005	±.010 for .095 Thick. & over

Continued from previous page

SCREW SIZE	I. D.	D. S.	L. S.	O. D.	L. H.	L. O.	MATERIAL		
							NYLON (N)	TEFLON (T)	PHENOLIC (PH)
5 (.125)	.126	.248	.027	.437	.062	.089	2713-24827-N126	2713-24827-T126	2713-24827-PH126
		.248	.027	.468	.031	.058	2641-24827-N126	2641-24827-T126	2641-24827-PH126
		.248	.027	.468	.062	.089	2714-24827-N126	2714-24827-T126	2714-24827-PH126
		.248	.027	.500	.031	.058	2642-24827-N126	2642-24827-T126	2642-24827-PH126
		.248	.027	.500	.062	.089	2715-24827-N126	2715-24827-T126	2715-24827-PH126
		.248	.027	.562	.031	.058	2644-24827-N126	2644-24827-T126	2644-24827-PH126
		.248	.027	.562	.062	.089	2717-24827-N126	2717-24827-T126	2717-24827-PH126
		.248	.027	.625	.031	.058	2646-24827-N126	2646-24827-T126	2646-24827-PH126
		.248	.027	.625	.062	.089	2718-24827-N126	2718-24827-T126	2718-24827-PH126
		.248	.050	.343	.031	.081	2636-24850-N126	2636-24850-T126	2636-24850-PH126
		.248	.050	.343	.062	.112	2709-24850-N126	2709-24850-T126	2709-24850-PH126
		.248	.050	.375	.031	.081	2638-24850-N126	2638-24850-T126	2638-24850-PH126
		.248	.050	.375	.062	.112	2711-24850-N126	2711-24850-T126	2711-24850-PH126
		.248	.050	.437	.031	.081	2640-24850-N126	2640-24850-T126	2640-24850-PH126
		.248	.050	.437	.062	.112	2713-24850-N126	2713-24850-T126	2713-24850-PH126
		.248	.050	.468	.031	.081	2641-24850-N126	2641-24850-T126	2641-24850-PH126
		.248	.050	.468	.062	.112	2714-24850-N126	2714-24850-T126	2714-24850-PH126
		.248	.050	.500	.031	.081	2642-24850-N126	2642-24850-T126	2642-24850-PH126
		.248	.050	.500	.062	.112	2715-24850-N126	2715-24850-T126	2715-24850-PH126
		.248	.050	.562	.031	.081	2644-24850-N126	2644-24850-T126	2644-24850-PH126
		.248	.050	.562	.062	.112	2717-24850-N126	2717-24850-T126	2717-24850-PH126
		.248	.050	.625	.031	.081	2646-24850-N126	2646-24850-T126	2646-24850-PH126
		.248	.050	.625	.062	.112	2718-24850-N126	2718-24850-T126	2718-24850-PH126
		.250	.030	.375	.095	.125	2739-25030-N126	2739-25030-T126	2739-25030-PH126
		.250	.035	.375	.127	.162	2758-25035-N126	2758-25035-T126	2758-25035-PH126
		.255	.040	.370	.085	.125	2727-25540-N126	2727-25540-T126	2727-25540-PH126
		.279	.027	.375	.031	.058	2638-27927-N126	2638-27927-T126	2638-27927-PH126
		.279	.027	.375	.062	.089	2711-27927-N126	2711-27927-T126	2711-27927-PH126
		.279	.027	.437	.031	.058	2640-27927-N126	2640-27927-T126	2640-27927-PH126
		.279	.027	.437	.062	.089	2713-27927-N126	2713-27927-T126	2713-27927-PH126
		.279	.027	.468	.031	.058	2641-27927-N126	2641-27927-T126	2641-27927-PH126
		.279	.027	.468	.062	.089	2714-27927-N126	2714-27927-T126	2714-27927-PH126
		.279	.027	.500	.031	.058	2642-27927-N126	2642-27927-T126	2642-27927-PH126
		.279	.027	.500	.062	.089	2715-27927-N126	2715-27927-T126	2715-27927-PH126
		.279	.027	.562	.031	.058	2644-27927-N126	2644-27927-T126	2644-27927-PH126
		.279	.027	.562	.062	.089	2717-27927-N126	2717-27927-T126	2717-27927-PH126

Continued next page

## INSULATING SHOULDER WASHERS SCREW CLEARANCE NO. 5



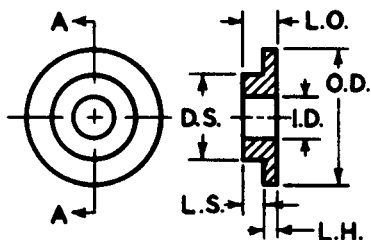
TOLERANCES			
I. D.	+ .010, - .000	L. H.	± .005
D. S.	+ .000, - .010	L. O.	± .005 for .047 - .065 Thick.
L. S.	REF.		± .008 for .075 - .094 Thick.
O. D.	+ .015, - .005		± .010 for .095 Thick. & over

Continued from previous page

SCREW SIZE	I. D.	D. S.	L. S.	O. D.	L. H.	L. O.	MATERIAL		
							NYLON (N)	TEFLON (T)	PHENOLIC (PH)
5 (.125)	.126	.279	.027	.625	.031	.058	2646-27927-N126	2646-27927-T126	2646-27927-PH126
		.279	.027	.625	.062	.089	2718-27927-N126	2718-27927-T126	2718-27927-PH126
		.279	.050	.375	.031	.081	2638-27950-N126	2638-27950-T126	2638-27950-PH126
		.279	.050	.375	.062	.112	2711-27950-N126	2711-27950-T126	2711-27950-PH126
		.279	.050	.437	.031	.081	2640-27950-N126	2640-27950-T126	2640-27950-PH126
		.279	.050	.437	.062	.112	2713-27950-N126	2713-27950-T126	2713-27950-PH126
		.279	.050	.468	.031	.081	2641-27950-N126	2641-27950-T126	2641-27950-PH126
		.279	.050	.468	.062	.112	2714-27950-N126	2714-27950-T126	2714-27950-PH126
		.279	.050	.500	.031	.081	2642-27950-N126	2642-27950-T126	2642-27950-PH126
		.279	.050	.500	.062	.112	2715-27950-N126	2715-27950-T126	2715-27950-PH126
		.279	.050	.562	.031	.081	2644-27950-N126	2644-27950-T126	2644-27950-PH126
		.279	.050	.562	.062	.112	2717-27950-N126	2717-27950-T126	2717-27950-PH126
		.279	.050	.625	.031	.081	2646-27950-N126	2646-27950-T126	2646-27950-PH126
		.279	.050	.625	.062	.112	2718-27950-N126	2718-27950-T126	2718-27950-PH126
		.310	.027	.437	.031	.058	2640-31027-N126	2640-31027-T126	2640-31027-PH126

Continued next page

## INSULATING SHOULDER WASHERS SCREW CLEARANCE NO. 5



SECTION A-A

TOLERANCES	
I. D. +.010, -.000	L. H. ±.005
D. S. +.000, -.010	L. O. ±.005 for .047 - .065 Thick.
L. S. REF.	±.008 for .075 - .094 Thick.
O. D. +.015, -.005	±.010 for .095 Thick. & over

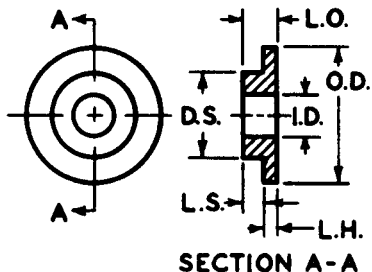
Continued from previous page

SCREW SIZE	I. D.	D. S.	L. S.	O. D.	L. H.	L. O.	MATERIAL				
							NYLON (N)	TEFLON (T)	PHENOLIC (PH)		
5 (.125)	.126	.310	.027	.437	.062	.089	2713-31027-N126	2713-31027-T126	2713-31027-PH126		
		.310	.027	.468	.031	.058	2641-31027-N126	2641-31027-T126	2641-31027-PH126		
		.310	.027	.468	.062	.089	2714-31027-N126	2714-31027-T126	2714-31027-PH126		
		.310	.027	.500	.031	.058	2642-31027-N126	2642-31027-T126	2642-31027-PH126		
		.310	.027	.500	.062	.089	2715-31027-N126	2715-31027-T126	2715-31027-PH126		
		.310	.027	.562	.031	.058	2644-31027-N126	2644-31027-T126	2644-31027-PH126		
		.310	.027	.562	.062	.089	2717-31027-N126	2717-31027-T126	2717-31027-PH126		
		.310	.027	.625	.031	.058	2646-31027-N126	2646-31027-T126	2646-31027-PH126		
		.310	.027	.625	.062	.089	2718-31027-N126	2718-31027-T126	2718-31027-PH126		
		.310	.050	.437	.031	.081	2640-31050-N126	2640-31050-T126	2640-31050-PH126		
		.310	.050	.437	.062	.112	2713-31050-N126	2713-31050-T126	2713-31050-PH126		
		.310	.050	.468	.031	.081	2641-31050-N126	2641-31050-T126	2641-31050-PH126		
		.310	.050	.468	.062	.112	2714-31050-N126	2714-31050-T126	2714-31050-PH126		
		.310	.050	.500	.031	.081	2642-31050-N126	2642-31050-T126	2642-31050-PH126		
		.310	.050	.500	.062	.112	2715-31050-N126	2715-31050-T126	2715-31050-PH126		
		.310	.050	.562	.031	.081	2644-31050-N126	2644-31050-T126	2644-31050-PH126		
		.310	.050	.562	.062	.112	2717-31050-N126	2717-31050-T126	2717-31050-PH126		
		.310	.050	.625	.031	.081	2646-31050-N126	2646-31050-T126	2646-31050-PH126		
		.310	.050	.625	.062	.112	2718-31050-N126	2718-31050-T126	2718-31050-PH126		
		.312	.050	.375	.050	.100	2693-31250-N126	2693-31250-T126	2693-31250-PH126		
		.128	.128	.185	.020	.375	.031	.051	2638-18520-N128	2638-18520-T128	2638-18520-PH128
				.185	.024	.312	.050	.074	2691-18524-N128	2691-18524-T128	2691-18524-PH128
				.185	.024	.378	.050	.074	2693-18524-N128	2693-18524-T128	2693-18524-PH128
				.185	.028	.345	.062	.090	2709-18528-N128	2709-18528-T128	2709-18528-PH128
				.185	.062	.312	.031	.093	2634-18562-N128	2634-18562-T128	2634-18562-PH128
				.185	.078	.312	.031	.109	2634-18578-N128	2634-18578-T128	2634-18578-PH128
				.187	.100	.312	.047	.147	2678-187100-N128	2678-187100-T128	2678-187100-PH128
				.193	.055	.281	.062	.117	2705-19355-N128	2705-19355-T128	2705-19355-PH128
				.215	.020	.437	.053	.073	2694-21520-N128	2694-21520-T128	2694-21520-PH128
				.218	.062	.312	.031	.093	2634-21862-N128	2634-21862-T128	2634-21862-PH128
				.265	.085	.320	.040	.125	2663-26585-N128	2663-26585-T128	2663-26585-PH128
				.130	.130	.175	.053	.228	.078	.131	2726-17553-N130
		.187	.085			.335	.040	.125	2663-18785-N130	2663-18785-T130	2663-18785-PH130
		.190	.031			.343	.031	.062	2636-19031-N130	2636-19031-T130	2636-19031-PH130
		.192	.044			.437	.031	.075	2640-19244-N130	2640-19244-T130	2640-19244-PH130
		.223	.022			.308	.038	.060	2662-22322-N130	2662-22322-T130	2662-22322-PH130
.250	.045	.375	.062			.107	2711-25045-N130	2711-25045-T130	2711-25045-PH130		

Continued next page

5 Pasco Hill Road • Cromwell, CT 06416-1093  
 Phone: 860-828-0847 • Call Toll Free: 800-243-6032 • Fax: 860-828-0381  
 Web Address: <http://www.amatom.com> • E-Mail: [sales@amatom.com](mailto:sales@amatom.com)

## INSULATING SHOULDER WASHERS SCREW CLEARANCE NO. 5



SECTION A-A

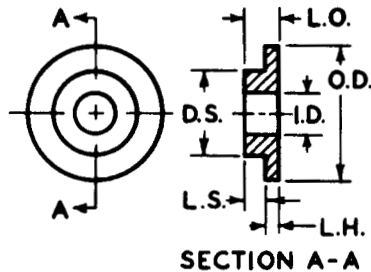
TOLERANCES			
I. D.	+ .010, - .000	L. H.	± .005
D. S.	+ .000, - .010	L. O.	± .005 for .047 - .065 Thick.
L. S.	REF.		± .008 for .075 - .094 Thick.
O. D.	+ .015, - .005		± .010 for .095 Thick. & over

Continued from previous page

SCREW SIZE	I. D.	D. S.	L. S.	O. D.	L. H.	L. O.	MATERIAL		
							NYLON (N)	TEFLON (T)	PHENOLIC (PH)
5 (.125)	.130	.206	.020	.343	.024	.044	2611-20620-N132	2611-20620-T132	**2611-20620-PH132
	.132	.242	.080	.355	.060	.140	2710-24280-N132	2710-24280-T132	2710-24280-PH132
	↓	.219	.118	.343	.062	.180	2709-219118-N133	2709-219118-T133	2709-219118-PH133
	.133	.187	.010	.328	.063	.073	2708-18710-N135	2708-18710-T135	2708-18710-PH135
	.135	.187	.015	.312	.031	.046	2634-18715-N135	2634-18715-T135	2634-18715-PH135
	↓	.187	.015	.437	.062	.077	2713-18715-N135	2713-18715-T135	2713-18715-PH135
	↓	.187	.035	.328	.062	.097	2708-18735-N135	2708-18735-T135	2708-18735-PH135
	↓	.226	.040	.343	.062	.102	2709-22640-N135	2709-22640-T135	2709-22640-PH135
	↓	.185	.024	.312	.050	.074	2691-18524-N136	2691-18524-T136	2691-18524-PH136
	.136	.187	.032	.250	.032	.064	2630-18732-N136	2630-18732-T136	2630-18732-PH136
	↓	.187	.032	.250	.063	.095	2704-18732-N136	2704-18732-T136	2704-18732-PH136
	↓	.187	.032	.312	.062	.094	2707-18732-N136	2707-18732-T136	2707-18732-PH136
	↓	.198	.046	.312	.062	.108	2707-19846-N136	2707-19846-T136	2707-19846-PH136
	↓	.245	.078	.375	.062	.140	2711-24578-N136	2711-24578-T136	2711-24578-PH136
	↓	.437	.031	.562	.031	.062	2644-43731-N136	2644-43731-T136	2644-43731-PH136

NOTE: \*\* Not available machined in Phenolic with L.H. thinner than .031. Can be molded if required. Special order only.

## INSULATING SHOULDER WASHERS SCREW CLEARANCE NO. 6

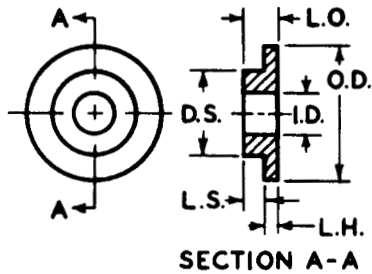


TOLERANCES			
I. D.	+ .010, - .000	L. H.	± .005
D. S.	+ .000, - .010	L. O.	± .005 for .047 - .065 Thick.
L. S.	REF.		± .008 for .075 - .094 Thick.
O. D.	+ .015, - .005		± .010 for .095 Thick. & over

SCREW SIZE	I. D.	D. S.	L. S.	O. D.	L. H.	L. O.	MATERIAL		
							NYLON (N)	TEFLON (T)	PHENOLIC (PH)
6 (.138)	.140	.180	.031	.312	.031	.062	2634-18031-N140	2634-18031-T140	2634-18031-PH140
		.185	.027	.250	.031	.058	2630-18527-N140	2630-18527-T140	2630-18527-PH140
		.185	.027	.250	.062	.089	2704-18527-N140	2704-18527-T140	2704-18527-PH140
		.185	.027	.312	.031	.058	2634-18527-N140	2634-18527-T140	2634-18527-PH140
		.185	.027	.312	.062	.089	2707-18527-N140	2707-18527-T140	2707-18527-PH140
		.185	.027	.343	.031	.058	2636-18527-N140	2636-18527-T140	2636-18527-PH140
		.185	.027	.343	.062	.089	2709-18527-N140	2709-18527-T140	2709-18527-PH140
		.185	.027	.375	.031	.058	2638-18527-N140	2638-18527-T140	2638-18527-PH140
		.185	.027	.375	.062	.089	2711-18527-N140	2711-18527-T140	2711-18527-PH140
		.185	.027	.437	.031	.058	2640-18527-N140	2640-18527-T140	2640-18527-PH140
		.185	.027	.437	.062	.089	2713-18527-N140	2713-18527-T140	2713-18527-PH140
		.185	.027	.468	.031	.058	2641-18527-N140	2641-18527-T140	2641-18527-PH140
		.185	.027	.468	.062	.089	2714-18527-N140	2714-18527-T140	2714-18527-PH140
		.185	.027	.500	.031	.058	2642-18527-N140	2642-18527-T140	2642-18527-PH140
		.185	.027	.500	.062	.089	2715-18527-N140	2715-18527-T140	2715-18527-PH140
		.185	.027	.562	.031	.058	2644-18527-N140	2644-18527-T140	2644-18527-PH140
		.185	.027	.562	.062	.089	2717-18527-N140	2717-18527-T140	2717-18527-PH140
		.185	.027	.625	.031	.058	2646-18527-N140	2646-18527-T140	2646-18527-PH140
		.185	.027	.625	.062	.089	2718-18527-N140	2718-18527-T140	2718-18527-PH140
		.185	.035	.375	.045	.080	2680-18535-N140	2680-18535-T140	2680-18535-PH140
		.185	.040	.312	.060	.100	2707-18540-N140	2707-18540-T140	2707-18540-PH140
		.185	.050	.250	.031	.081	2630-18550-N140	2630-18550-T140	2630-18550-PH140
		.185	.050	.250	.062	.112	2704-18550-N140	2704-18550-T140	2704-18550-PH140
		.185	.050	.312	.031	.081	2634-18550-N140	2634-18550-T140	2634-18550-PH140
		.185	.050	.312	.062	.112	2707-18550-N140	2707-18550-T140	2707-18550-PH140
		.185	.050	.343	.031	.081	2636-18550-N140	2636-18550-T140	2636-18550-PH140
		.185	.050	.343	.062	.112	2709-18550-N140	2709-18550-T140	2709-18550-PH140
		.185	.050	.375	.031	.081	2638-18550-N140	2638-18550-T140	2638-18550-PH140
		.185	.050	.375	.062	.112	2711-18550-N140	2711-18550-T140	2711-18550-PH140
		.185	.050	.437	.031	.081	2640-18550-N140	2640-18550-T140	2640-18550-PH140
		.185	.050	.437	.062	.112	2713-18550-N140	2713-18550-T140	2713-18550-PH140
		.185	.050	.468	.031	.081	2641-18550-N140	2641-18550-T140	2641-18550-PH140
		.185	.050	.468	.062	.112	2714-18550-N140	2714-18550-T140	2714-18550-PH140
		.185	.050	.500	.031	.081	2642-18550-N140	2642-18550-T140	2642-18550-PH140
		.185	.050	.500	.062	.112	2715-18550-N140	2715-18550-T140	2715-18550-PH140
		.185	.050	.562	.031	.081	2644-18550-N140	2644-18550-T140	2644-18550-PH140

Continued next page

## INSULATING SHOULDER WASHERS SCREW CLEARANCE NO. 6



TOLERANCES			
I. D.	+ .010, - .000	L. H.	± .005
D. S.	+ .000, - .010	L. O.	± .005 for .047 - .065 Thick.
L. S.	REF.		± .008 for .075 - .094 Thick.
O. D.	+ .015, - .005		± .010 for .095 Thick. & over

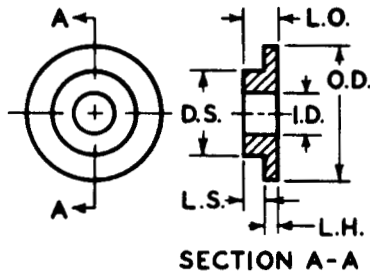
Continued from previous page

SCREW SIZE	I. D.	D. S.	L. S.	O. D.	L. H.	L. O.	MATERIAL		
							NYLON (N)	TEFLON (T)	PHENOLIC (PH)
6 (.138)	.140	.185	.050	.562	.062	.112	2717-18550-N140	2717-18550-T140	2717-18550-PH140
		.185	.050	.625	.031	.081	2646-18550-N140	2646-18550-T140	2646-18550-PH140
		.185	.050	.625	.062	.112	2718-18550-N140	2718-18550-T140	2718-18550-PH140
		.187	.016	.313	.031	.047	2634-18716-N140	2634-18716-T140	2634-18716-PH140
		.187	.032	.250	.032	.064	2630-18732-N140	2630-18732-T140	2630-18732-PH140
		.187	.032	.250	.063	.095	2704-18732-N140	2704-18732-T140	2704-18732-PH140
		.187	.032	.312	.062	.094	2707-18732-N140	2707-18732-T140	2707-18732-PH140
		.187	.039	.313	.023	.062	2584-18739-N140	2584-18739-T140	**2584-18739-PH140
		.187	.086	.328	.064	.150	2708-18786-N140	2708-18786-T140	2708-18786-PH140
		.198	.031	.312	.031	.062	2634-19831-N140	2634-19831-T140	2634-19831-PH140
		.210	.035	.312	.055	.090	2691-21035-N140	2691-21035-T140	2691-21035-PH140
		.215	.047	.437	.047	.094	2681-21547-N140	2681-21547-T140	2681-21547-PH140

NOTE: \*\* Not available machined in Phenolic with L.H. thinner than .031. Can be molded if required. Special order only.

Continued next page

## INSULATING SHOULDER WASHERS SCREW CLEARANCE NO. 6



TOLERANCES			
I. D.	+ .010, - .000	L. H.	± .005
D. S.	+ .000, - .010	L. O.	± .005 for .047 - .065 Thick.
L. S.	REF.		± .008 for .075 - .094 Thick.
O. D.	+ .015, - .005		± .010 for .095 Thick. & over

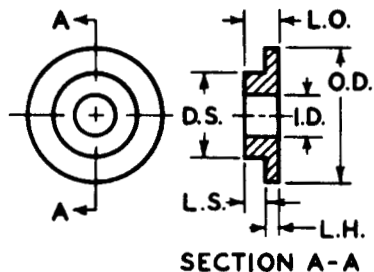
Continued from previous page

SCREW SIZE	I. D.	D. S.	L. S.	O. D.	L. H.	L. O.	MATERIAL		
							NYLON (N)	TEFLON (T)	PHENOLIC (PH)
6 (.138)	.140	.216	.027	.312	.031	.058	2634-21627-N140	2634-21627-T140	2634-21627-PH140
		.216	.027	.312	.062	.089	2707-21627-N140	2707-21627-T140	2707-21627-PH140
		.216	.027	.343	.031	.058	2636-21627-N140	2636-21627-T140	2636-21627-PH140
		.216	.027	.343	.062	.089	2709-21627-N140	2709-21627-T140	2709-21627-PH140
		.216	.027	.375	.031	.058	2638-21627-N140	2638-21627-T140	2638-21627-PH140
		.216	.027	.375	.062	.089	2711-21627-N140	2711-21627-T140	2711-21627-PH140
		.216	.027	.437	.031	.058	2640-21627-N140	2640-21627-T140	2640-21627-PH140
		.216	.027	.437	.062	.089	2713-21627-N140	2713-21627-T140	2713-21627-PH140
		.216	.027	.468	.031	.058	2641-21627-N140	2641-21627-T140	2641-21627-PH140
		.216	.027	.468	.062	.089	2714-21627-N140	2714-21627-T140	2714-21627-PH140
		.216	.027	.500	.031	.058	2642-21627-N140	2642-21627-T140	2642-21627-PH140
		.216	.027	.500	.062	.089	2715-21627-N140	2715-21627-T140	2715-21627-PH140
		.216	.027	.562	.031	.058	2644-21627-N140	2644-21627-T140	2644-21627-PH140
		.216	.027	.562	.062	.089	2717-21627-N140	2717-21627-T140	2717-21627-PH140
		.216	.027	.625	.031	.058	2646-21627-N140	2646-21627-T140	2646-21627-PH140
		.216	.027	.625	.062	.089	2718-21627-N140	2718-21627-T140	2718-21627-PH140
		.216	.050	.312	.031	.081	2634-21650-N140	2634-21650-T140	2634-21650-PH140
		.216	.050	.312	.062	.112	2707-21650-N140	2707-21650-T140	2707-21650-PH140
		.216	.050	.343	.031	.081	2636-21650-N140	2636-21650-T140	2636-21650-PH140
		.216	.050	.343	.062	.112	2709-21650-N140	2709-21650-T140	2709-21650-PH140
		.216	.050	.375	.031	.081	2638-21650-N140	2638-21650-T140	2638-21650-PH140
		.216	.050	.375	.062	.112	2711-21650-N140	2711-21650-T140	2711-21650-PH140
		.216	.050	.437	.031	.081	2640-21650-N140	2640-21650-T140	2640-21650-PH140
		.216	.050	.437	.062	.112	2713-21650-N140	2713-21650-T140	2713-21650-PH140
		.216	.050	.468	.031	.081	2641-21650-N140	2641-21650-T140	2641-21650-PH140
		.216	.050	.468	.062	.112	2714-21650-N140	2714-21650-T140	2714-21650-PH140
		.216	.050	.500	.031	.081	2642-21650-N140	2642-21650-T140	2642-21650-PH140
		.216	.050	.500	.062	.112	2715-21650-N140	2715-21650-T140	2715-21650-PH140
		.216	.050	.562	.031	.081	2644-21650-N140	2644-21650-T140	2644-21650-PH140
		.216	.050	.562	.062	.112	2717-21650-N140	2717-21650-T140	2717-21650-PH140
		.216	.050	.625	.031	.081	2646-21650-N140	2646-21650-T140	2646-21650-PH140
		.216	.050	.625	.062	.112	2718-21650-N140	2718-21650-T140	2718-21650-PH140
		.218	.047	.375	.062	.109	2711-21847-N140	2711-21847-T140	2711-21847-PH140
		.221	.016	.343	.062	.078	2709-22116-N140	2709-22116-T140	2709-22116-PH140
		.248	.027	.343	.031	.058	2636-24827-N140	2636-24827-T140	2636-24827-PH140
		.248	.027	.343	.062	.089	2709-24827-N140	2709-24827-T140	2709-24827-PH140

Continued next page

5 Pasco Hill Road • Cromwell, CT 06416-1093  
 Phone: 860-828-0847 • Call Toll Free: 800-243-6032 • Fax: 860-828-0381  
 Web Address: <http://www.amatom.com> • E-Mail: [sales@amatom.com](mailto:sales@amatom.com)

## INSULATING SHOULDER WASHERS SCREW CLEARANCE NO. 6



TOLERANCES			
I. D.	+ .010, - .000	L. H.	± .005
D. S.	+ .000, - .010	L. O.	± .005 for .047 - .065 Thick.
L. S.	REF.		± .008 for .075 - .094 Thick.
O. D.	+ .015, - .005		± .010 for .095 Thick. & over

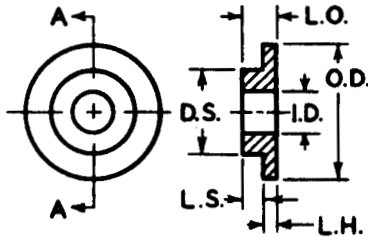
Continued from previous page

SCREW SIZE	I. D.	D. S.	L. S.	O. D.	L. H.	L. O.	MATERIAL		
							NYLON (N)	TEFLON (T)	PHENOLIC (PH)
6 (.138)	.140	.248	.027	.375	.031	.058	2638-24827-N140	2638-24827-T140	2638-24827-PH140
		.248	.027	.375	.062	.089	2711-24827-N140	2711-24827-T140	2711-24827-PH140
		.248	.027	.437	.031	.058	2640-24827-N140	2640-24827-T140	2640-24827-PH140
		.248	.027	.437	.062	.089	2713-24827-N140	2713-24827-T140	2713-24827-PH140
		.248	.027	.468	.031	.058	2641-24827-N140	2641-24827-T140	2641-24827-PH140
		.248	.027	.468	.062	.089	2714-24827-N140	2714-24827-T140	2714-24827-PH140
		.248	.027	.500	.031	.058	2642-24827-N140	2642-24827-T140	2642-24827-PH140
		.248	.027	.500	.062	.089	2715-24827-N140	2715-24827-T140	2715-24827-PH140
		.248	.027	.562	.031	.058	2644-24827-N140	2644-24827-T140	2644-24827-PH140
		.248	.027	.562	.062	.089	2717-24827-N140	2717-24827-T140	2717-24827-PH140
		.248	.027	.625	.031	.058	2646-24827-N140	2646-24827-T140	2646-24827-PH140
		.248	.027	.625	.062	.089	2718-24827-N140	2718-24827-T140	2718-24827-PH140

Continued next page



## INSULATING SHOULDER WASHERS SCREW CLEARANCE NO. 6



SECTION A-A

TOLERANCES			
I. D.	+ .010, - .000	L. H.	± .005
D. S.	+ .000, - .010	L. O.	± .005 for .047 - .065 Thick.
L. S.	REF.		± .008 for .075 - .094 Thick.
O. D.	+ .015, - .005		± .010 for .095 Thick. & over

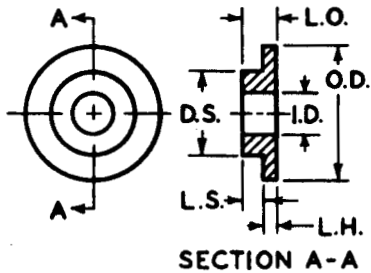
Continued from previous page

SCREW SIZE	I. D.	D. S.	L. S.	O. D.	L. H.	L. O.	MATERIAL		
							NYLON (N)	TEFLON (T)	PHENOLIC (PH)
6 (.138)	.140	.248	.050	.343	.031	.081	2636-24850-N140	2636-24850-T140	2636-24850-PH140
		.248	.050	.343	.062	.112	2709-24850-N140	2709-24850-T140	2709-24850-PH140
		.248	.050	.375	.031	.081	2638-24850-N140	2638-24850-T140	2638-24850-PH140
		.248	.050	.375	.062	.112	2711-24850-N140	2711-24850-T140	2711-24850-PH140
		.248	.050	.437	.031	.081	2640-24850-N140	2640-24850-T140	2640-24850-PH140
		.248	.050	.437	.062	.112	2713-24850-N140	2713-24850-T140	2713-24850-PH140
		.248	.050	.468	.031	.081	2641-24850-N140	2641-24850-T140	2641-24850-PH140
		.248	.050	.468	.062	.112	2714-24850-N140	2714-24850-T140	2714-24850-PH140
		.248	.050	.500	.031	.081	2642-24850-N140	2642-24850-T140	2642-24850-PH140
		.248	.050	.500	.062	.112	2715-24850-N140	2715-24850-T140	2715-24850-PH140
		.248	.050	.562	.031	.081	2644-24850-N140	2644-24850-T140	2644-24850-PH140
		.248	.050	.562	.062	.112	2717-24850-N140	2717-24850-T140	2717-24850-PH140
		.248	.050	.625	.031	.081	2646-24850-N140	2646-24850-T140	2646-24850-PH140
		.248	.050	.625	.062	.112	2718-24850-N140	2718-24850-T140	2718-24850-PH140
		.279	.027	.375	.031	.058	2638-27927-N140	2638-27927-T140	2638-27927-PH140
		.279	.027	.375	.062	.089	2711-27927-N140	2711-27927-T140	2711-27927-PH140
		.279	.027	.437	.031	.058	2640-27927-N140	2640-27927-T140	2640-27927-PH140
		.279	.027	.437	.062	.089	2713-27927-N140	2713-27927-T140	2713-27927-PH140
		.279	.027	.468	.031	.058	2641-27927-N140	2641-27927-T140	2641-27927-PH140
		.279	.027	.468	.062	.089	2714-27927-N140	2714-27927-T140	2714-27927-PH140
		.279	.027	.500	.031	.058	2642-27927-N140	2642-27927-T140	2642-27927-PH140
		.279	.027	.500	.062	.089	2715-27927-N140	2715-27927-T140	2715-27927-PH140
		.279	.027	.562	.031	.058	2644-27927-N140	2644-27927-T140	2644-27927-PH140
		.279	.027	.562	.062	.089	2717-27927-N140	2717-27927-T140	2717-27927-PH140
		.279	.027	.625	.031	.058	2646-27927-N140	2646-27927-T140	2646-27927-PH140
		.279	.027	.625	.062	.089	2718-27927-N140	2718-27927-T140	2718-27927-PH140
		.279	.050	.375	.031	.081	2638-27950-N140	2638-27950-T140	2638-27950-PH140
		.279	.050	.375	.062	.112	2711-27950-N140	2711-27950-T140	2711-27950-PH140
		.279	.050	.437	.031	.081	2640-27950-N140	2640-27950-T140	2640-27950-PH140
		.279	.050	.437	.062	.112	2713-27950-N140	2713-27950-T140	2713-27950-PH140
		.279	.050	.468	.031	.081	2641-27950-N140	2641-27950-T140	2641-27950-PH140
		.279	.050	.468	.062	.112	2714-27950-N140	2714-27950-T140	2714-27950-PH140
		.279	.050	.500	.031	.081	2642-27950-N140	2642-27950-T140	2642-27950-PH140
		.279	.050	.500	.062	.112	2715-27950-N140	2715-27950-T140	2715-27950-PH140
		.279	.050	.562	.031	.081	2644-27950-N140	2644-27950-T140	2644-27950-PH140
		.279	.050	.562	.062	.112	2717-27950-N140	2717-27950-T140	2717-27950-PH140

Continued next page

5 Pasco Hill Road • Cromwell, CT 06416-1093  
 Phone: 860-828-0847 • Call Toll Free: 800-243-6032 • Fax: 860-828-0381  
 Web Address: <http://www.amatom.com> • E-Mail: [sales@amatom.com](mailto:sales@amatom.com)

## INSULATING SHOULDER WASHERS SCREW CLEARANCE NO. 6



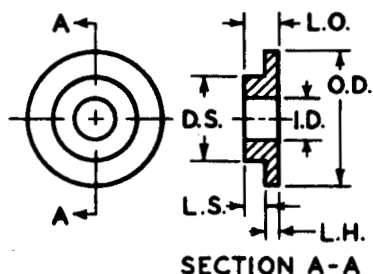
TOLERANCES			
I. D.	+ .010, - .000	L. H.	± .005
D. S.	+ .000, - .010	L. O.	± .005 for .047 - .065 Thick.
L. S.	REF.		± .008 for .075 - .094 Thick.
O. D.	+ .015, - .005		± .010 for .095 Thick. & over

Continued from previous page

SCREW SIZE	I. D.	D. S.	L. S.	O. D.	L. H.	L. O.	MATERIAL		
							NYLON (N)	TEFLON (T)	PHENOLIC (PH)
6 (.138)	.140	.279	.050	.625	.031	.081	2646-27950-N140	2646-27950-T140	2646-27950-PH140
		.279	.050	.625	.062	.112	2718-27950-N140	2718-27950-T140	2718-27950-PH140
		.310	.027	.437	.031	.058	2640-31027-N140	2640-31027-T140	2640-31027-PH140
		.310	.027	.437	.062	.089	2713-31027-N140	2713-31027-T140	2713-31027-PH140
		.310	.027	.468	.031	.058	2641-31027-N140	2641-31027-T140	2641-31027-PH140
		.310	.027	.468	.062	.089	2714-31027-N140	2714-31027-T140	2714-31027-PH140
		.310	.027	.500	.031	.058	2642-31027-N140	2642-31027-T140	2642-31027-PH140
		.310	.027	.500	.062	.089	2715-31027-N140	2715-31027-T140	2715-31027-PH140
		.310	.027	.562	.031	.058	2644-31027-N140	2644-31027-T140	2644-31027-PH140
		.310	.027	.562	.062	.089	2717-31027-N140	2717-31027-T140	2717-31027-PH140
		.310	.027	.625	.031	.058	2646-31027-N140	2646-31027-T140	2646-31027-PH140
		.310	.027	.625	.062	.089	2718-31027-N140	2718-31027-T140	2718-31027-PH140

Continued next page

## INSULATING SHOULDER WASHERS SCREW CLEARANCE NO. 6



TOLERANCES			
I. D.	+ .010, - .000	L. H.	± .005
D. S.	+ .000, - .010	L. O.	± .005 for .047 - .065 Thick.
L. S.	REF.		± .008 for .075 - .094 Thick.
O. D.	+ .015, - .005		± .010 for .095 Thick. & over

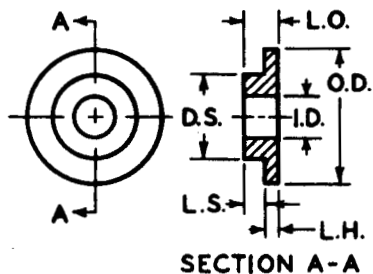
Continued from previous page

SCREW SIZE	I. D.	D. S.	L. S.	O. D.	L. H.	L. O.	MATERIAL			
							NYLON (N)	TEFLON (T)	PHENOLIC (PH)	
6 (.138)	↓	.140	.310	.050	.437	.031	.081	2640-31050-N140	2640-31050-T140	2640-31050-PH140
		.310	.050	.437	.062	.112	2713-31050-N140	2713-31050-T140	2713-31050-PH140	
		.310	.050	.468	.031	.081	2641-31050-N140	2641-31050-T140	2641-31050-PH140	
		.310	.050	.468	.062	.112	2714-31050-N140	2714-31050-T140	2714-31050-PH140	
		.310	.050	.500	.031	.081	2642-31050-N140	2642-31050-T140	2642-31050-PH140	
		.310	.050	.500	.062	.112	2715-31050-N140	2715-31050-T140	2715-31050-PH140	
		.310	.050	.562	.031	.081	2644-31050-N140	2644-31050-T140	2644-31050-PH140	
		.310	.050	.562	.062	.112	2717-31050-N140	2717-31050-T140	2717-31050-PH140	
		.310	.050	.625	.031	.081	2646-31050-N140	2646-31050-T140	2646-31050-PH140	
		.310	.050	.625	.062	.112	2718-31050-N140	2718-31050-T140	2718-31050-PH140	
		.141	.187	.063	.234	.062	.125	2703-18763-N141	2703-18763-T141	2703-18763-PH141
		.234	.045	.500	.064	.109	2715-23445-N141	2715-23445-T141	2715-23445-PH141	
		.237	.032	.375	.062	.094	2711-23732-N141	2711-23732-T141	2711-23732-PH141	
		.144	.250	.100	.375	.047	.147	2680-250100-N144	2680-250100-T144	2680-250100-PH144
		.250	.125	.437	.062	.187	2713-250125-N144	2713-250125-T144	2713-250125-PH144	
		.312	.050	.437	.062	.112	2713-31250-N144	2713-31250-T144	2713-31250-PH144	
		.145	.203	.125	.250	.062	.187	2704-203125-N145	2704-203125-T145	2704-203125-PH145
		.250	.031	.375	.063	.094	2711-25031-N145	2711-25031-T145	2711-25031-PH145	
		.265	.016	.375	.062	.078	2711-26516-N145	2711-26516-T145	2711-26516-PH145	
		.375	.031	.500	.063	.094	2715-37531-N145	2715-37531-T145	2715-37531-PH145	
		.147	.358	.078	.500	.062	.140	2715-35878-N147	2715-35878-T147	2715-35878-PH147
		.149	.250	.025	.375	.062	.087	2711-25025-N149	2711-25025-T149	2711-25025-PH149
		.150	.250	.090	.355	.040	.130	2665-25090-N150	2665-25090-T150	2665-25090-PH150
		.152	.199	.027	.378	.055	.082	2693-19927-N152	2693-19927-T152	2693-19927-PH152
		.203	.085	.296	.038	.123	2661-20385-N152	2661-20385-T152	2661-20385-PH152	
		.153	.219	.007	.296	.015	.022	2558-21907-N153	2558-21907-T153	**2558-21907-PH153
		.156	.250	.010	.375	.042	.052	2666-25010-N156	2666-25010-T156	2666-25010-PH156
		.250	.031	.500	.094	.125	2741-25031-N156	2741-25031-T156	2741-25031-PH156	
		.250	.063	.437	.062	.125	2713-25063-N156	2713-25063-T156	2713-25063-PH156	
		.312	.031	.500	.031	.062	2642-31231-N156	2642-31231-T156	2642-31231-PH156	
		.437	.060	.562	.062	.122	2717-43760-N156	2717-43760-T156	2717-43760-PH156	
		.160	.220	.031	.343	.047	.078	2679-22031-N160	2679-22031-T160	2679-22031-PH160
		.435	.031	.625	.094	.125	2743-43531-N160	2743-43531-T160	2743-43531-PH160	
		.161	.218	.015	.359	.031	.046	2637-21815-N161	2637-21815-T161	2637-21815-PH161
		.275	.091	.433	.078	.169	2728-27591-N161	2728-27591-T161	2728-27591-PH161	
		.162	.210	.031	.300	.062	.093	2706-21031-N162	2706-21031-T162	2706-21031-PH162
.250	.046	.625	.032	.078	2646-25046-N162	2646-25046-T162	2646-25046-PH162			
.163	.213	.046	.437	.046	.092	2681-21346-N163	2681-21346-T163	2681-21346-PH163		

Continued next page

5 Pasco Hill Road • Cromwell, CT 06416-1093  
 Phone: 860-828-0847 • Call Toll Free: 800-243-6032 • Fax: 860-828-0381  
 Web Address: <http://www.amatom.com> • E-Mail: [sales@amatom.com](mailto:sales@amatom.com)

## INSULATING SHOULDER WASHERS SCREW CLEARANCE NO. 6



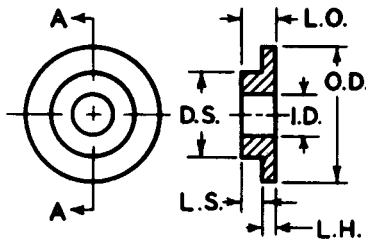
TOLERANCES			
I. D.	+ .010, - .000	L. H.	± .005
D. S.	+ .000, - .010	L. O.	± .005 for .047 - .065 Thick.
L. S.	REF.		± .008 for .075 - .094 Thick.
O. D.	+ .015, - .005		± .010 for .095 Thick. & over

Continued from previous page

SCREW SIZE	I. D.	D. S.	L. S.	O. D.	L. H.	L. O.	MATERIAL		
							NYLON (N)	TEFLON (T)	PHENOLIC (PH)
6 (.138)	↓ .165	.265	.050	.437	.040	.090	2667-26550-N165	2667-26550-T165	2667-26550-PH165
		.281	.016	.625	.031	.047	2646-28116-N165	2646-28116-T165	2646-28116-PH165
		.312	.031	.437	.062	.093	2713-31231-N165	2713-31231-T165	2713-31231-PH165
	↓ .168	.250	.031	.437	.069	.100	2713-25031-N168	2713-25031-T168	2713-25031-PH168
		.250	.047	.375	.062	.109	2711-25047-N168	2711-25047-T168	2711-25047-PH168
		.250	.125	.375	.062	.187	2711-250125-N168	2711-250125-T168	2711-250125-PH168
	↓ .169	.215	.031	.375	.062	.093	2711-21531-N169	2711-21531-T169	2711-21531-PH169
		.215	.062	.375	.063	.125	2711-21562-N169	2711-21562-T169	2711-21562-PH169
		.218	.031	.312	.062	.093	2707-21831-N169	2707-21831-T169	2707-21831-PH169
	↓ .170	.250	.031	.375	.031	.062	2638-25031-N169	2638-25031-T169	2638-25031-PH169
		.312	.031	.562	.125	.156	2761-31231-N169	2761-31231-T169	2761-31231-PH169
		.234	.031	.375	.062	.093	2711-23431-N170	2711-23431-T170	2711-23431-PH170
	↓ .250	.063	.312	.062	.125	2707-25063-N170	2707-25063-T170	2707-25063-PH170	

NOTE: \*\* Not available machined in Phenolic with L.H. thinner than .031. Can be molded if required. Special order only.

## INSULATING SHOULDER WASHERS SCREW CLEARANCE NO. 8



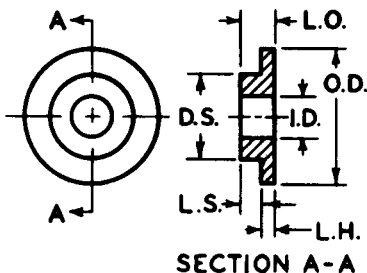
SECTION A-A

TOLERANCES			
I. D.	+ .010, - .000	L. H.	± .005
D. S.	+ .000, - .010	L. O.	± .005 for .047 - .065 Thick.
L. S.	REF.		± .008 for .075 - .094 Thick.
O. D.	+ .015, - .005		± .010 for .095 Thick. & over

SCREW SIZE	I. D.	D. S.	L. S.	O. D.	L. H.	L. O.	MATERIAL		
							NYLON (N)	TEFLON (T)	PHENOLIC (PH)
8 (.164)	.171	.216	.027	.312	.031	.058	2634-21627-N171	2634-21627-T171	2634-21627-PH171
		.216	.027	.312	.062	.089	2707-21627-N171	2707-21627-T171	2707-21627-PH171
		.216	.027	.343	.031	.058	2636-21627-N171	2636-21627-T171	2636-21627-PH171
		.216	.027	.343	.062	.089	2709-21627-N171	2709-21627-T171	2709-21627-PH171
		.216	.027	.375	.031	.058	2638-21627-N171	2638-21627-T171	2638-21627-PH171
		.216	.027	.375	.062	.089	2711-21627-N171	2711-21627-T171	2711-21627-PH171
		.216	.027	.437	.031	.058	2640-21627-N171	2640-21627-T171	2640-21627-PH171
		.216	.027	.437	.062	.089	2713-21627-N171	2713-21627-T171	2713-21627-PH171
		.216	.027	.468	.031	.058	2641-21627-N171	2641-21627-T171	2641-21627-PH171
		.216	.027	.468	.062	.089	2714-21627-N171	2714-21627-T171	2714-21627-PH171
		.216	.027	.500	.031	.058	2642-21627-N171	2642-21627-T171	2642-21627-PH171
		.216	.027	.500	.062	.089	2715-21627-N171	2715-21627-T171	2715-21627-PH171
		.216	.027	.562	.031	.058	2644-21627-N171	2644-21627-T171	2644-21627-PH171
		.216	.027	.562	.062	.089	2717-21627-N171	2717-21627-T171	2717-21627-PH171
		.216	.027	.625	.031	.058	2646-21627-N171	2646-21627-T171	2646-21627-PH171
		.216	.027	.625	.062	.089	2718-21627-N171	2718-21627-T171	2718-21627-PH171
		.216	.050	.312	.031	.081	2634-21650-N171	2634-21650-T171	2634-21650-PH171
		.216	.050	.312	.062	.112	2707-21650-N171	2707-21650-T171	2707-21650-PH171
		.216	.050	.343	.031	.081	2636-21650-N171	2636-21650-T171	2636-21650-PH171
		.216	.050	.343	.062	.112	2709-21650-N171	2709-21650-T171	2709-21650-PH171
		.216	.050	.375	.031	.081	2638-21650-N171	2638-21650-T171	2638-21650-PH171
		.216	.050	.375	.062	.112	2711-21650-N171	2711-21650-T171	2711-21650-PH171
		.216	.050	.437	.031	.081	2640-21650-N171	2640-21650-T171	2640-21650-PH171
		.216	.050	.437	.062	.112	2713-21650-N171	2713-21650-T171	2713-21650-PH171
		.216	.050	.468	.031	.081	2641-21650-N171	2641-21650-T171	2641-21650-PH171
		.216	.050	.468	.062	.112	2714-21650-N171	2714-21650-T171	2714-21650-PH171
		.216	.050	.500	.031	.081	2642-21650-N171	2642-21650-T171	2642-21650-PH171
		.216	.050	.500	.062	.112	2715-21650-N171	2715-21650-T171	2715-21650-PH171
		.216	.050	.562	.031	.081	2644-21650-N171	2644-21650-T171	2644-21650-PH171
		.216	.050	.562	.062	.112	2717-21650-N171	2717-21650-T171	2717-21650-PH171
		.216	.050	.625	.031	.081	2646-21650-N171	2646-21650-T171	2646-21650-PH171
		.216	.050	.625	.062	.112	2718-21650-N171	2718-21650-T171	2718-21650-PH171
		.248	.027	.343	.031	.058	2636-24827-N171	2636-24827-T171	2636-24827-PH171
		.248	.027	.343	.062	.089	2709-24827-N171	2709-24827-T171	2709-24827-PH171
		.248	.027	.375	.031	.058	2638-24827-N171	2638-24827-T171	2638-24827-PH171
		.248	.027	.375	.062	.089	2711-24827-N171	2711-24827-T171	2711-24827-PH171

Continued next page

## INSULATING SHOULDER WASHERS SCREW CLEARANCE NO. 8



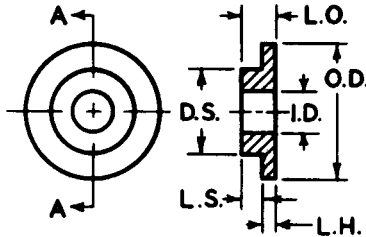
TOLERANCES			
I. D.	+ .010, - .000	L. H.	± .005
D. S.	+ .000, - .010	L. O.	± .005 for .047 - .065 Thick.
L. S.	REF.		± .008 for .075 - .094 Thick.
O. D.	+ .015, - .005		± .010 for .095 Thick. & over

Continued from previous page

SCREW SIZE	I. D.	D. S.	L. S.	O. D.	L. H.	L. O.	MATERIAL		
							NYLON (N)	TEFLON (T)	PHENOLIC (PH)
8 (.164)	.171	.248	.027	.437	.031	.058	2640-24827-N171	2640-24827-T171	2640-24827-PH171
		.248	.027	.437	.062	.089	2713-24827-N171	2713-24827-T171	2713-24827-PH171
		.248	.027	.468	.031	.058	2641-24827-N171	2641-24827-T171	2641-24827-PH171
		.248	.027	.468	.062	.089	2714-24827-N171	2714-24827-T171	2714-24827-PH171
		.248	.027	.500	.031	.058	2642-24827-N171	2642-24827-T171	2642-24827-PH171
		.248	.027	.500	.062	.089	2715-24827-N171	2715-24827-T171	2715-24827-PH171
		.248	.027	.562	.031	.058	2644-24827-N171	2644-24827-T171	2644-24827-PH171
		.248	.027	.562	.062	.089	2717-24827-N171	2717-24827-T171	2717-24827-PH171
		.248	.027	.625	.031	.058	2646-24827-N171	2646-24827-T171	2646-24827-PH171
		.248	.027	.625	.062	.089	2718-24827-N171	2718-24827-T171	2718-24827-PH171
		.248	.050	.343	.031	.081	2636-24850-N171	2636-24850-T171	2636-24850-PH171
		.248	.050	.343	.062	.112	2709-24850-N171	2709-24850-T171	2709-24850-PH171
		.248	.050	.375	.031	.081	2638-24850-N171	2638-24850-T171	2638-24850-PH171
		.248	.050	.375	.062	.112	2711-24850-N171	2711-24850-T171	2711-24850-PH171
		.248	.050	.437	.031	.081	2640-24850-N171	2640-24850-T171	2640-24850-PH171
		.248	.050	.437	.062	.112	2713-24850-N171	2713-24850-T171	2713-24850-PH171
		.248	.050	.468	.031	.081	2641-24850-N171	2641-24850-T171	2641-24850-PH171
		.248	.050	.468	.062	.112	2714-24850-N171	2714-24850-T171	2714-24850-PH171
		.248	.050	.500	.031	.081	2642-24850-N171	2642-24850-T171	2642-24850-PH171
		.248	.050	.500	.062	.112	2715-24850-N171	2715-24850-T171	2715-24850-PH171
		.248	.050	.562	.031	.081	2644-24850-N171	2644-24850-T171	2644-24850-PH171
		.248	.050	.562	.062	.112	2717-24850-N171	2717-24850-T171	2717-24850-PH171
		.248	.050	.625	.031	.081	2646-24850-N171	2646-24850-T171	2646-24850-PH171
		.248	.050	.625	.062	.112	2718-24850-N171	2718-24850-T171	2718-24850-PH171
		.250	.087	.500	.100	.187	2752-25087-N171	2752-25087-T171	2752-25087-PH171
		.279	.027	.375	.031	.058	2638-27927-N171	2638-27927-T171	2638-27927-PH171
		.279	.027	.375	.062	.089	2711-27927-N171	2711-27927-T171	2711-27927-PH171

Continued next page

## INSULATING SHOULDER WASHERS SCREW CLEARANCE NO. 8



SECTION A-A

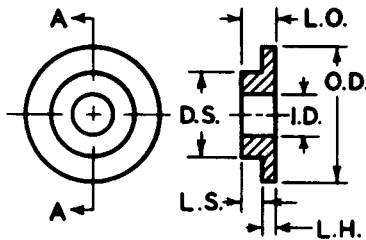
TOLERANCES			
I. D.	+ .010, - .000	L. H.	± .005
D. S.	+ .000, - .010	L. O.	± .005 for .047 - .065 Thick.
L. S.	REF.		± .008 for .075 - .094 Thick.
O. D.	+ .015, - .005		± .010 for .095 Thick. & over

Continued from previous page

SCREW SIZE	I. D.	D. S.	L. S.	O. D.	L. H.	L. O.	MATERIAL		
							NYLON (N)	TEFLON	PHENOLIC (PH)
8 (.164)	.171	.279	.027	.437	.031	.058	2640-27927-N171	2640-27927-T171	2640-27927-PH171
		.279	.027	.437	.062	.089	2713-27927-N171	2713-27927-T171	2713-27927-PH171
		.279	.027	.468	.031	.058	2641-27927-N171	2641-27927-T171	2641-27927-PH171
		.279	.027	.468	.062	.089	2714-27927-N171	2714-27927-T171	2714-27927-PH171
		.279	.027	.500	.031	.058	2642-27927-N171	2642-27927-T171	2642-27927-PH171
		.279	.027	.500	.062	.089	2715-27927-N171	2715-27927-T171	2715-27927-PH171
		.279	.027	.562	.031	.058	2644-27927-N171	2644-27927-T171	2644-27927-PH171
		.279	.027	.562	.062	.089	2717-27927-N171	2717-27927-T171	2717-27927-PH171
		.279	.027	.625	.031	.058	2646-27927-N171	2646-27927-T171	2646-27927-PH171
		.279	.027	.625	.062	.089	2718-27927-N171	2718-27927-T171	2718-27927-PH171
		.279	.050	.375	.031	.081	2638-27950-N171	2638-27950-T171	2638-27950-PH171
		.279	.050	.375	.062	.112	2711-27950-N171	2711-27950-T171	2711-27950-PH171
		.279	.050	.437	.031	.081	2640-27950-N171	2640-27950-T171	2640-27950-PH171
		.279	.050	.437	.062	.112	2713-27950-N171	2713-27950-T171	2713-27950-PH171
		.279	.050	.468	.031	.081	2641-27950-N171	2641-27950-T171	2641-27950-PH171
		.279	.050	.468	.062	.112	2714-27950-N171	2714-27950-T171	2714-27950-PH171
		.279	.050	.500	.031	.081	2642-27950-N171	2642-27950-T171	2642-27950-PH171
		.279	.050	.500	.062	.112	2715-27950-N171	2715-27950-T171	2715-27950-PH171
		.279	.050	.562	.031	.081	2644-27950-N171	2644-27950-T171	2644-27950-PH171
		.279	.050	.562	.062	.112	2717-27950-N171	2717-27950-T171	2717-27950-PH171
		.279	.050	.625	.031	.081	2646-27950-N171	2646-27950-T171	2646-27950-PH171
		.279	.050	.625	.062	.112	2718-27950-N171	2718-27950-T171	2718-27950-PH171
		.310	.027	.437	.031	.058	2640-31027-N171	2640-31027-T171	2640-31027-PH171
		.310	.027	.437	.062	.089	2713-31027-N171	2713-31027-T171	2713-31027-PH171
		.310	.027	.468	.031	.058	2641-31027-N171	2641-31027-T171	2641-31027-PH171
		.310	.027	.468	.062	.089	2714-31027-N171	2714-31027-T171	2714-31027-PH171
		.310	.027	.500	.031	.058	2642-31027-N171	2642-31027-T171	2642-31027-PH171
		.310	.027	.500	.062	.089	2715-31027-N171	2715-31027-T171	2715-31027-PH171
		.310	.027	.562	.031	.058	2644-31027-N171	2644-31027-T171	2644-31027-PH171
		.310	.027	.562	.062	.089	2717-31027-N171	2717-31027-T171	2717-31027-PH171
		.310	.027	.625	.031	.058	2646-31027-N171	2646-31027-T171	2646-31027-PH171
		.310	.027	.625	.062	.089	2718-31027-N171	2718-31027-T171	2718-31027-PH171
		.310	.050	.437	.031	.081	2640-31050-N171	2640-31050-T171	2640-31050-PH171
		.310	.050	.437	.062	.112	2713-31050-N171	2713-31050-T171	2713-31050-PH171
		.310	.050	.468	.031	.081	2641-31050-N171	2641-31050-T171	2641-31050-PH171
		.310	.050	.468	.062	.112	2714-31050-N171	2714-31050-T171	2714-31050-PH171

Continued next page

## INSULATING SHOULDER WASHERS SCREW CLEARANCE NO. 8



SECTION A-A

TOLERANCES	
I. D. +.010, -.000	L. H. ±.005
D. S. +.000, -.010	L. O. ±.005 for .047 - .065 Thick.
L. S. REF.	±.008 for .075 - .094 Thick.
O. D. +.015, -.005	±.010 for .095 Thick. & over

Continued from previous page

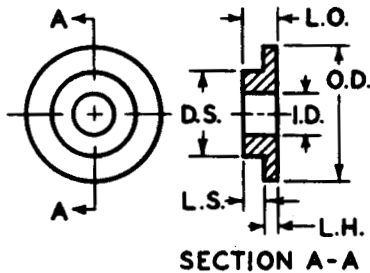
SCREW SIZE	I. D.	D. S.	L. S.	O. D.	L. H.	L. O.	MATERIAL			
							NYLON (N)	TEFLON	PHENOLIC (PH)	
8 (.164)	.171	.310	.050	.500	.031	.081	2642-31050-N171	2642-31050-T171	2642-31050-PH171	
	↓	.310	.050	.500	.062	.112	2715-31050-N171	2715-31050-T171	2715-31050-PH171	
	↓	.310	.050	.562	.031	.081	2644-31050-N171	2644-31050-T171	2644-31050-PH171	
	↓	.310	.050	.562	.062	.112	2717-31050-N171	2717-31050-T171	2717-31050-PH171	
	↓	.310	.050	.625	.031	.081	2646-31050-N171	2646-31050-T171	2646-31050-PH171	
	↓	.310	.050	.625	.062	.112	2718-31050-N171	2718-31050-T171	2718-31050-PH171	
	↓	.375	.031	.500	.063	.094	2715-37531-N171	2715-37531-T171	2715-37531-PH171	
	↓	.172	.218	.063	.375	.063	.125	2711-21863-N172	2711-21863-T172	2711-21863-PH172
	↓	.246	.031	.375	.063	.094	2711-24631-N172	2711-24631-T172	2711-24631-PH172	
	↓	.173	.370	.093	.500	.063	.156	2715-37093-N173	2715-37093-T173	2715-37093-PH173
	↓	.175	.260	.050	.437	.038	.088	2667-26050-N175	2667-26050-T175	2667-26050-PH175
	↓	.312	.055	.500	.060	.115	2715-31255-N175	2715-31255-T175	2715-31255-PH175	
	↓	.177	.312	.023	.500	.060	.083	2715-31223-N177	2715-31223-T177	2715-31223-PH177
	↓	.187	.250	.031	.312	.062	.093	2707-25031-N187	2707-25031-T187	2707-25031-PH187
	↓	.250	.047	.500	.031	.078	.078	2642-25047-N187	2642-25047-T187	2642-25047-PH187
	↓	.265	.031	.375	.062	.093	.093	2711-26531-N187	2711-26531-T187	2711-26531-PH187
	↓	.281	.062	1.500	.062	.124	.124	2725-28162-N187	2725-28162-T187	2725-28162-PH187
	↓	.281	.093	.437	.093	.186	.186	2740-28193-N187	2740-28193-T187	2740-28193-PH187
	↓	.312	.078	.562	.046	.124	.124	2683-31278-N187	2683-31278-T187	2683-31278-PH187
	↓	.372	.078	.437	.046	.124	.124	2681-37278-N187	2681-37278-T187	2681-37278-PH187
	↓	.188	.250	.031	.375	.047	.078	2680-25031-N188	2680-25031-T188	2680-25031-PH188
	↓	.278	.088	.406	.058	.146	.146	2712-27888-N188	2712-27888-T188	2712-27888-PH188
	↓	.280	.045	.500	.062	.107	.107	2715-28045-N188	2715-28045-T188	2715-28045-PH188
	↓	.313	.063	.437	.062	.125	.125	2713-31363-N188	2713-31363-T188	2713-31363-PH188
	↓	.190	.310	.062	.625	.031	.093	2646-31062-N190	2646-31062-T190	2646-31062-PH190
	↓	.312	.046	.500	.125	.171	.171	2760-31246-N190	2760-31246-T190	2760-31246-PH190
	↓	.191	.275	.053	.406	.062	.115	2712-27553-N191	2712-27553-T191	2712-27553-PH191
	↓	.279	.040	.531	.062	.102	.102	2716-27940-N191	2716-27940-T191	2716-27940-PH191
↓	.192	.233	.015	.281	.020	.035	2582-23315-N192	2582-23315-T192	**2582-23315-PH192	
↓	.193	.368	.025	.500	.062	.087	2715-36825-N193	2715-36825-T193	2715-36825-PH193	

NOTE: \*\* Not available machined in Phenolic with L.H. thinner than .031. Can be molded if required. Special order only.

5 Pasco Hill Road • Cromwell, CT 06416-1093  
 Phone: 860-828-0847 • Call Toll Free: 800-243-6032 • Fax: 860-828-0381  
 Web Address: <http://www.amatom.com> • E-Mail: [sales@amatom.com](mailto:sales@amatom.com)



## INSULATING SHOULDER WASHERS SCREW CLEARANCE NO. 10



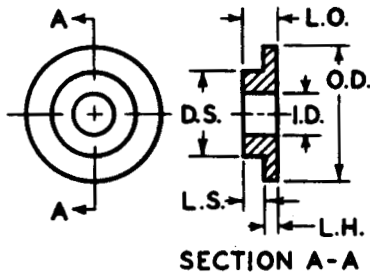
TOLERANCES			
I. D.	+ .010, - .000	L. H.	± .005
D. S.	+ .000, - .010	L. O.	± .005 for .047 - .065 Thick.
L. S.	REF.		± .008 for .075 - .094 Thick.
O. D.	+ .015, - .005		± .010 for .095 Thick. & over

SCREW SIZE	I. D.	D. S.	L. S.	O. D.	L. H.	L. O.	MATERIAL		
							NYLON (N)	TEFLON (T)	PHENOLIC (PH)
10 (.190)	.194	.248	.027	.343	.031	.058	2636-24827-N194	2636-24827-T194	2636-24827-PH194
		.248	.027	.343	.062	.089	2709-24827-N194	2709-24827-T194	2709-24827-PH194
		.248	.027	.375	.031	.058	2638-24827-N194	2638-24827-T194	2638-24827-PH194
		.248	.027	.375	.062	.089	2711-24827-N194	2711-24827-T194	2711-24827-PH194
		.248	.027	.437	.031	.058	2640-24827-N194	2640-24827-T194	2640-24827-PH194
		.248	.027	.437	.062	.089	2713-24827-N194	2713-24827-T194	2713-24827-PH194
		.248	.027	.468	.031	.058	2641-24827-N194	2641-24827-T194	2641-24827-PH194
		.248	.027	.468	.062	.089	2714-24827-N194	2714-24827-T194	2714-24827-PH194
		.248	.027	.500	.031	.058	2642-24827-N194	2642-24827-T194	2642-24827-PH194
		.248	.027	.500	.062	.089	2715-24827-N194	2715-24827-T194	2715-24827-PH194
		.248	.027	.562	.031	.058	2644-24827-N194	2644-24827-T194	2644-24827-PH194
		.248	.027	.562	.062	.089	2717-24827-N194	2717-24827-T194	2717-24827-PH194
		.248	.027	.625	.031	.058	2646-24827-N194	2646-24827-T194	2646-24827-PH194
		.248	.027	.625	.062	.089	2718-24827-N194	2718-24827-T194	2718-24827-PH194
		.248	.027	.750	.031	.058	2649-24827-N194	2649-24827-T194	2649-24827-PH194
		.248	.027	.750	.062	.089	2720-24827-N194	2720-24827-T194	2720-24827-PH194
		.248	.050	.343	.031	.081	2636-24850-N194	2636-24850-T194	2636-24850-PH194
		.248	.050	.343	.062	.112	2709-24850-N194	2709-24850-T194	2709-24850-PH194
		.248	.050	.375	.031	.081	2638-24850-N194	2638-24850-T194	2638-24850-PH194
		.248	.050	.375	.062	.112	2711-24850-N194	2711-24850-T194	2711-24850-PH194
		.248	.050	.437	.031	.081	2640-24850-N194	2640-24850-T194	2640-24850-PH194
		.248	.050	.437	.062	.112	2713-24850-N194	2713-24850-T194	2713-24850-PH194
		.248	.050	.468	.031	.081	2641-24850-N194	2641-24850-T194	2641-24850-PH194
		.248	.050	.468	.062	.112	2714-24850-N194	2714-24850-T194	2714-24850-PH194
		.248	.050	.500	.031	.081	2642-24850-N194	2642-24850-T194	2642-24850-PH194
		.248	.050	.500	.062	.112	2715-24850-N194	2715-24850-T194	2715-24850-PH194
		.248	.050	.562	.031	.081	2644-24850-N194	2644-24850-T194	2644-24850-PH194
		.248	.050	.562	.062	.112	2717-24850-N194	2717-24850-T194	2717-24850-PH194
		.248	.050	.625	.031	.081	2646-24850-N194	2646-24850-T194	2646-24850-PH194
		.248	.050	.625	.062	.112	2718-24850-N194	2718-24850-T194	2718-24850-PH194
		.248	.050	.750	.031	.081	2649-24850-N194	2649-24850-T194	2649-24850-PH194
		.248	.050	.750	.062	.112	2720-24850-N194	2720-24850-T194	2720-24850-PH194
		.279	.027	.375	.031	.058	2638-27927-N194	2638-27927-T194	2638-27927-PH194
		.279	.027	.375	.062	.089	2711-27927-N194	2711-27927-T194	2711-27927-PH194
		.279	.027	.437	.031	.058	2640-27927-N194	2640-27927-T194	2640-27927-PH194
		.279	.027	.437	.062	.089	2713-27927-N194	2713-27927-T194	2713-27927-PH194

Continued next page

5 Pasco Hill Road • Cromwell, CT 06416-1093  
 Phone: 860-828-0847 • Call Toll Free: 800-243-6032 • Fax: 860-828-0381  
 Web Address: <http://www.amatom.com> • E-Mail: [sales@amatom.com](mailto:sales@amatom.com)

## INSULATING SHOULDER WASHERS SCREW CLEARANCE NO. 10



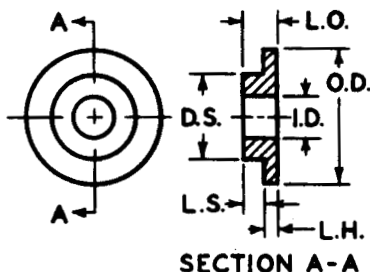
TOLERANCES			
I. D.	+ .010, - .000	L. H.	± .005
D. S.	+ .000, - .010	L. O.	± .005 for .047 - .065 Thick.
L. S.	REF.		± .008 for .075 - .094 Thick.
O. D.	+ .015, - .005		± .010 for .095 Thick. & over

Continued from previous page

SCREW SIZE	I. D.	D. S.	L. S.	O. D.	L. H.	L. O.	MATERIAL		
							NYLON (N)	TEFLON (T)	PHENOLIC (PH)
10 (.190)	.194	.279	.027	.468	.031	.058	2641-27927-N194	2641-27927-T194	2641-27927-PH194
		.279	.027	.468	.062	.089	2714-27927-N194	2714-27927-T194	2714-27927-PH194
		.279	.027	.500	.031	.058	2642-27927-N194	2642-27927-T194	2642-27927-PH194
		.279	.027	.500	.062	.089	2715-27927-N194	2715-27927-T194	2715-27927-PH194
		.279	.027	.562	.031	.058	2644-27927-N194	2644-27927-T194	2644-27927-PH194
		.279	.027	.562	.062	.089	2717-27927-N194	2717-27927-T194	2717-27927-PH194
		.279	.027	.625	.031	.058	2646-27927-N194	2646-27927-T194	2646-27927-PH194
		.279	.027	.625	.062	.089	2718-27927-N194	2718-27927-T194	2718-27927-PH194
		.279	.027	.750	.031	.058	2649-27927-N194	2649-27927-T194	2649-27927-PH194
		.279	.027	.750	.062	.089	2720-27927-N194	2720-27927-T194	2720-27927-PH194
		.279	.050	.375	.031	.081	2638-27950-N194	2638-27950-T194	2638-27950-PH194
		.279	.050	.375	.062	.112	2711-27950-N194	2711-27950-T194	2711-27950-PH194
		.279	.050	.437	.031	.081	2640-27950-N194	2640-27950-T194	2640-27950-PH194
		.279	.050	.437	.062	.112	2713-27950-N194	2713-27950-T194	2713-27950-PH194
		.279	.050	.468	.031	.081	2641-27950-N194	2641-27950-T194	2641-27950-PH194
		.279	.050	.468	.062	.112	2714-27950-N194	2714-27950-T194	2714-27950-PH194
		.279	.050	.500	.031	.081	2642-27950-N194	2642-27950-T194	2642-27950-PH194
		.279	.050	.500	.062	.112	2715-27950-N194	2715-27950-T194	2715-27950-PH194
		.279	.050	.562	.031	.081	2644-27950-N194	2644-27950-T194	2644-27950-PH194
		.279	.050	.562	.062	.112	2717-27950-N194	2717-27950-T194	2717-27950-PH194
.279	.050	.625	.031	.081	2646-27950-N194	2646-27950-T194	2646-27950-PH194		
.279	.050	.625	.062	.112	2718-27950-N194	2718-27950-T194	2718-27950-PH194		
.279	.050	.750	.031	.081	2649-27950-N194	2649-27950-T194	2649-27950-PH194		
.279	.050	.750	.062	.112	2720-27950-N194	2720-27950-T194	2720-27950-PH194		

Continued next page

## INSULATING SHOULDER WASHERS SCREW CLEARANCE NO. 10



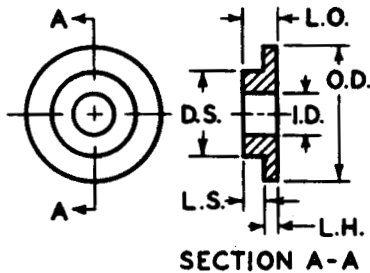
TOLERANCES			
I. D.	+ .010, - .000	L. H.	± .005
D. S.	+ .000, - .010	L. O.	± .005 for .047 - .065 Thick.
L. S.	REF.		± .008 for .075 - .094 Thick.
O. D.	+ .015, - .005		± .010 for .095 Thick. & over

Continued from previous page

SCREW SIZE	I. D.	D. S.	L. S.	O. D.	L. H.	L. O.	MATERIAL		
							NYLON (N)	TEFLON (T)	PHENOLIC (PH)
10 (.190)	.194	.310	.027	.437	.031	.058	2640-31027-N194	2640-31027-T194	2640-31027-PH194
		.310	.027	.437	.062	.089	2713-31027-N194	2713-31027-T194	2713-31027-PH194
		.310	.027	.468	.031	.058	2641-31027-N194	2641-31027-T194	2641-31027-PH194
		.310	.027	.468	.062	.089	2714-31027-N194	2714-31027-T194	2714-31027-PH194
		.310	.027	.500	.031	.058	2642-31027-N194	2642-31027-T194	2642-31027-PH194
		.310	.027	.500	.062	.089	2715-31027-N194	2715-31027-T194	2715-31027-PH194
		.310	.027	.562	.031	.058	2644-31027-N194	2644-31027-T194	2644-31027-PH194
		.310	.027	.562	.062	.089	2717-31027-N194	2717-31027-T194	2717-31027-PH194
		.310	.027	.625	.031	.058	2646-31027-N194	2646-31027-T194	2646-31027-PH194
		.310	.027	.625	.062	.089	2718-31027-N194	2718-31027-T194	2718-31027-PH194
		.310	.027	.750	.031	.058	2649-31027-N194	2649-31027-T194	2649-31027-PH194
		.310	.027	.750	.062	.089	2720-31027-N194	2720-31027-T194	2720-31027-PH194
		.310	.050	.437	.031	.081	2640-31050-N194	2640-31050-T194	2640-31050-PH194
		.310	.050	.437	.062	.112	2713-31050-N194	2713-31050-T194	2713-31050-PH194
		.310	.050	.468	.031	.081	2641-31050-N194	2641-31050-T194	2641-31050-PH194
		.310	.050	.468	.062	.112	2714-31050-N194	2714-31050-T194	2714-31050-PH194
		.310	.050	.500	.031	.081	2642-31050-N194	2642-31050-T194	2642-31050-PH194
		.310	.050	.500	.062	.112	2715-31050-N194	2715-31050-T194	2715-31050-PH194
		.310	.050	.562	.031	.081	2644-31050-N194	2644-31050-T194	2644-31050-PH194
		.310	.050	.562	.062	.112	2717-31050-N194	2717-31050-T194	2717-31050-PH194
		.310	.050	.625	.031	.081	2646-31050-N194	2646-31050-T194	2646-31050-PH194
		.310	.050	.625	.062	.112	2718-31050-N194	2718-31050-T194	2718-31050-PH194
		.310	.050	.750	.031	.081	2649-31050-N194	2649-31050-T194	2649-31050-PH194
		.310	.050	.750	.062	.112	2720-31050-N194	2720-31050-T194	2720-31050-PH194
		.341	.027	.468	.031	.058	2641-34127-N194	2641-34127-T194	2641-34127-PH194
		.341	.027	.468	.062	.089	2714-34127-N194	2714-34127-T194	2714-34127-PH194
		.341	.027	.500	.031	.058	2642-34127-N194	2642-34127-T194	2642-34127-PH194
		.341	.027	.500	.062	.089	2715-34127-N194	2715-34127-T194	2715-34127-PH194
		.341	.027	.562	.031	.058	2644-34127-N194	2644-34127-T194	2644-34127-PH194
		.341	.027	.562	.062	.089	2717-34127-N194	2717-34127-T194	2717-34127-PH194
		.341	.027	.625	.031	.058	2646-34127-N194	2646-34127-T194	2646-34127-PH194
		.341	.027	.625	.062	.089	2718-34127-N194	2718-34127-T194	2718-34127-PH194
		.341	.027	.750	.031	.058	2649-34127-N194	2649-34127-T194	2649-34127-PH194
		.341	.027	.750	.062	.089	2720-34127-N194	2720-34127-T194	2720-34127-PH194
		.341	.050	.468	.031	.081	2641-34150-N194	2641-34150-T194	2641-34150-PH194
		.341	.050	.468	.062	.112	2714-34150-N194	2714-34150-T194	2714-34150-PH194

Continued next page

## INSULATING SHOULDER WASHERS SCREW CLEARANCE NO. 10



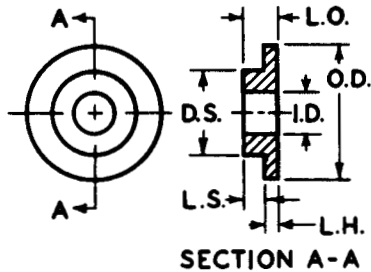
TOLERANCES			
I. D.	+ .010, - .000	L. H.	± .005
D. S.	+ .000, - .010	L. O.	± .005 for .047 - .065 Thick.
L. S.	REF.		± .008 for .075 - .094 Thick.
O. D.	+ .015, - .005		± .010 for .095 Thick. & over

Continued from previous page

SCREW SIZE	I. D.	D. S.	L. S.	O. D.	L. H.	L. O.	MATERIAL		
							NYLON (N)	TEFLON (T)	PHENOLIC (PH)
10 (.190)	.194	.341	.050	.500	.031	.081	2642-34150-N194	2642-34150-T194	2642-34150-PH194
		.341	.050	.500	.062	.112	2715-34150-N194	2715-34150-T194	2715-34150-PH194
		.341	.050	.562	.031	.081	2644-34150-N194	2644-34150-T194	2644-34150-PH194
		.341	.050	.562	.062	.112	2717-34150-N194	2717-34150-T194	2717-34150-PH194
		.341	.050	.625	.031	.081	2646-34150-N194	2646-34150-T194	2646-34150-PH194
		.341	.050	.625	.062	.112	2718-34150-N194	2718-34150-T194	2718-34150-PH194
		.341	.050	.750	.031	.081	2649-34150-N194	2649-34150-T194	2649-34150-PH194
		.341	.050	.750	.062	.112	2720-34150-N194	2720-34150-T194	2720-34150-PH194
		.371	.027	.500	.031	.058	2642-37127-N194	2642-37127-T194	2642-37127-PH194
		.371	.027	.500	.062	.089	2715-37127-N194	2715-37127-T194	2715-37127-PH194
		.371	.027	.562	.031	.058	2644-37127-N194	2644-37127-T194	2644-37127-PH194
		.371	.027	.562	.062	.089	2717-37127-N194	2717-37127-T194	2717-37127-PH194
		.371	.027	.625	.031	.058	2646-37127-N194	2646-37127-T194	2646-37127-PH194
		.371	.027	.625	.062	.089	2718-37127-N194	2718-37127-T194	2718-37127-PH194
		.371	.027	.750	.031	.058	2649-37127-N194	2649-37127-T194	2649-37127-PH194
		.371	.027	.750	.062	.089	2720-37127-N194	2720-37127-T194	2720-37127-PH194
		.371	.050	.500	.031	.081	2642-37150-N194	2642-37150-T194	2642-37150-PH194
		.371	.050	.500	.062	.112	2715-37150-N194	2715-37150-T194	2715-37150-PH194
		.371	.050	.562	.031	.081	2644-37150-N194	2644-37150-T194	2644-37150-PH194
		.371	.050	.562	.062	.112	2717-37150-N194	2717-37150-T194	2717-37150-PH194
		.371	.050	.625	.031	.081	2646-37150-N194	2646-37150-T194	2646-37150-PH194
		.371	.050	.625	.062	.112	2718-37150-N194	2718-37150-T194	2718-37150-PH194
		.371	.050	.750	.031	.081	2649-37150-N194	2649-37150-T194	2649-37150-PH194
		.371	.050	.750	.062	.112	2720-37150-N194	2720-37150-T194	2720-37150-PH194

Continued next page

## INSULATING SHOULDER WASHERS SCREW CLEARANCE NO. 10



TOLERANCES			
I. D.	+ .010, - .000	L. H.	± .005
D. S.	+ .000, - .010	L. O.	± .005 for .047 - .065 Thick.
L. S.	REF.		± .008 for .075 - .094 Thick.
O. D.	+ .015, - .005		± .010 for .095 Thick. & over

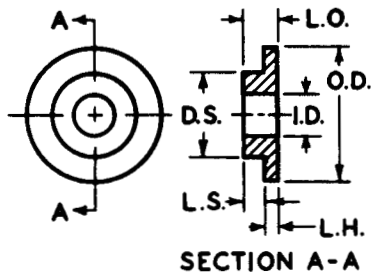
Continued from previous page

SCREW SIZE	I. D.	D. S.	L. S.	O. D.	L. H.	L. O.	MATERIAL			
							NYLON (N)	TEFLON (T)	PHENOLIC (PH)	
10 (.190)	.194	.432	.027	.562	.031	.058	2644-43227-N194	2644-43227-T194	2644-43227-PH194	
		.432	.027	.562	.062	.089	2717-43227-N194	2717-43227-T194	2717-43227-PH194	
		.432	.027	.625	.031	.058	2646-43227-N194	2646-43227-T194	2646-43227-PH194	
		.432	.027	.625	.062	.089	2718-43227-N194	2718-43227-T194	2718-43227-PH194	
		.432	.027	.750	.031	.058	2649-43227-N194	2649-43227-T194	2649-43227-PH194	
		.432	.027	.750	.062	.089	2720-43227-N194	2720-43227-T194	2720-43227-PH194	
	.195	.240	.495	.027	.625	.031	.058	2644-43250-N194	2644-43250-T194	2644-43250-PH194
			.495	.027	.625	.062	.112	2717-43250-N194	2717-43250-T194	2717-43250-PH194
			.495	.027	.750	.031	.081	2646-43250-N194	2646-43250-T194	2646-43250-PH194
			.495	.027	.750	.062	.112	2718-43250-N194	2718-43250-T194	2718-43250-PH194
			.495	.050	.625	.031	.081	2649-43250-N194	2649-43250-T194	2649-43250-PH194
			.495	.050	.625	.062	.112	2720-43250-N194	2720-43250-T194	2720-43250-PH194
	.196	.274	.495	.027	.750	.031	.081	2646-49527-N194	2646-49527-T194	2646-49527-PH194
			.495	.027	.750	.062	.089	2718-49527-N194	2718-49527-T194	2718-49527-PH194
			.495	.027	.750	.031	.058	2649-49527-N194	2649-49527-T194	2649-49527-PH194
			.495	.027	.750	.062	.089	2720-49527-N194	2720-49527-T194	2720-49527-PH194
			.495	.050	.625	.031	.081	2646-49550-N194	2646-49550-T194	2646-49550-PH194
			.495	.050	.625	.062	.112	2718-49550-N194	2718-49550-T194	2718-49550-PH194
	.198	.312	.495	.050	.750	.031	.081	2649-49550-N194	2649-49550-T194	2649-49550-PH194
			.495	.050	.750	.062	.112	2720-49550-N194	2720-49550-T194	2720-49550-PH194
			.495	.050	.750	.039	.062	2666-24023-N195	2666-24023-T195	2666-24023-PH195
			.248	.030	.531	.040	.070	2669-24830-N195	2669-24830-T195	2669-24830-PH195
			.310	.053	.437	.047	.100	2681-31053-N195	2681-31053-T195	2681-31053-PH195
			.437	.078	.630	.078	.156	2731-43778-N195	2731-43778-T195	2731-43778-PH195
.199	.375	.246	.032	.375	.062	.094	2711-24632-N196	2711-24632-T196	2711-24632-PH196	
		.250	.031	.312	.062	.093	2707-25031-N196	2707-25031-T196	2707-25031-PH196	
		.255	.031	.437	.031	.062	2640-25531-N196	2640-25531-T196	2640-25531-PH196	
		.274	.095	.500	.045	.140	2682-27495-N196	2682-27495-T196	2682-27495-PH196	
		.312	.062	.625	.094	.156	2743-31262-N196	2743-31262-T196	2743-31262-PH196	
		.308	.032	.375	.062	.094	2711-30832-N196	2711-30832-T196	2711-30832-PH196	
.200	.245	.375	.031	.625	.031	.062	2646-37531-N196	2646-37531-T196	2646-37531-PH196	
		.247	.039	.750	.075	.114	2732-24739-N198	2732-24739-T198	2732-24739-PH198	
		.375	.031	.500	.063	.094	2715-37531-N198	2715-37531-T198	2715-37531-PH198	
		.305	.055	.468	.078	.133	2729-30555-N199	2729-30555-T199	2729-30555-PH199	
		.240	.032	.500	.062	.094	2715-24032-N200	2715-24032-T200	2715-24032-PH200	
		.240	.063	.500	.062	.125	2715-24063-N200	2715-24063-T200	2715-24063-PH200	
		.245	.016	.437	.062	.078	2713-24516-N200	2713-24516-T200	2713-24516-PH200	

Continued next page

## INSULATING SHOULDER WASHERS

### SCREW CLEARANCE NO. 10



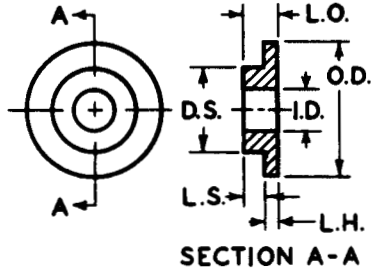
TOLERANCES			
I. D.	+ .010, - .000	L. H.	± .005
D. S.	+ .000, - .010	L. O.	± .005 for .047 - .065 Thick.
L. S.	REF.		± .008 for .075 - .094 Thick.
O. D.	+ .015, - .005		± .010 for .095 Thick. & over

Continued from previous page

SCREW SIZE	I. D.	D. S.	L. S.	O. D.	L. H.	L. O.	MATERIAL		
							NYLON (N)	TEFLON (T)	PHENOLIC (PH)
10 (.190)	↓	.358	.031	.750	.125	.156	2765-35831-N201	2765-35831-T201	2765-35831-PH201
		.358	.031	1.000	.125	.156	2768-35831-N201	2768-35831-T201	2768-35831-PH201
↓	↓	.358	.031	1.375	.125	.156	2771-35831-N201	2771-35831-T201	2771-35831-PH201
		.500	.020	1.375	.105	.125	2754-50020-N201	2754-50020-T201	2754-50020-PH201
↓	↓	.203	.032	.500	.093	.125	2741-25032-N203	2741-25032-T203	2741-25032-PH203
		.296	.031	.468	.062	.093	2714-29631-N203	2714-29631-T203	2714-29631-PH203
↓	↓	.300	.063	.437	.062	.125	2713-30063-N203	2713-30063-T203	2713-30063-PH203
		.307	.063	.437	.062	.125	2713-30763-N203	2713-30763-T203	2713-30763-PH203
↓	↓	.312	.093	.750	.093	.186	2746-31293-N203	2746-31293-T203	2746-31293-PH203
		.312	.109	.750	.062	.171	2720-312109-N203	2720-312109-T203	2720-312109-PH203
↓	↓	.205	.042	.380	.070	.112	2727-27742-N205	2727-27742-T205	2727-27742-PH205
		.281	.078	.500	.062	.140	2715-28178-N205	2715-28178-T205	2715-28178-PH205
↓	↓	.324	.016	.590	.045	.061	2684-32416-N205	2684-32416-T205	2684-32416-PH205
		.208	.016	.437	.062	.078	2713-24516-N208	2713-24516-T208	2713-24516-PH208
↓	↓	.210	.025	.437	.055	.080	2694-28125-N210	2694-28125-T210	2694-28125-PH210
		.380	.090	.635	.042	.132	2671-38090-N210	2671-38090-T210	2671-38090-PH210
↓	↓	.212	.025	.343	.031	.056	2636-27225-N212	2636-27225-T212	2636-27225-PH212
		.218	.030	.375	.050	.080	2693-28130-N218	2693-28130-T218	2693-28130-PH218
↓	↓	.310	.062	.500	.125	.187	2760-31062-N218	2760-31062-T218	2760-31062-PH218
		.312	.063	.500	.062	.125	2715-31263-N218	2715-31263-T218	2715-31263-PH218
↓	↓	.373	.070	.500	.055	.125	2695-37370-N218	2695-37370-T218	2695-37370-PH218
		.375	.063	.500	.062	.125	2715-37563-N218	2715-37563-T218	2715-37563-PH218
↓	↓	.375	.090	.625	.045	.135	2685-37590-N218	2685-37590-T218	2685-37590-PH218

5 Pasco Hill Road • Cromwell, CT 06416-1093  
 Phone: 860-828-0847 • Call Toll Free: 800-243-6032 • Fax: 860-828-0381  
 Web Address: <http://www.amatom.com> • E-Mail: [sales@amatom.com](mailto:sales@amatom.com)

## INSULATING SHOULDER WASHERS SCREW CLEARANCE NO. 12

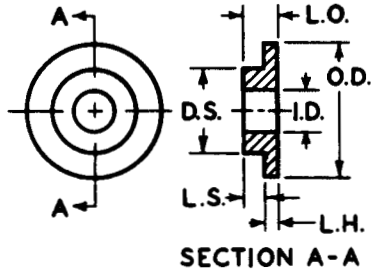


TOLERANCES			
I. D.	+ .010, - .000	L. H.	± .005
D. S.	+ .000, - .010	L. O.	± .005 for .047 - .065 Thick.
L. S.	REF.		± .008 for .075 - .094 Thick.
O. D.	+ .015, - .005		± .010 for .095 Thick. & over

SCREW SIZE	I. D.	D. S.	L. S.	O. D.	L. H.	L. O.	MATERIAL		
							NYLON (N)	TEFLON (T)	PHENOLIC (PH)
12 (.216)	.219	.279	.027	.375	.031	.058	2638-27927-N219	2638-27927-T219	2638-27927-PH219
		.279	.027	.375	.062	.089	2711-27927-N219	2711-27927-T219	2711-27927-PH219
		.279	.027	.437	.031	.058	2640-27927-N219	2640-27927-T219	2640-27927-PH219
		.279	.027	.437	.062	.089	2713-27927-N219	2713-27927-T219	2713-27927-PH219
		.279	.027	.468	.031	.058	2641-27927-N219	2641-27927-T219	2641-27927-PH219
		.279	.027	.468	.062	.089	2714-27927-N219	2714-27927-T219	2714-27927-PH219
		.279	.027	.500	.031	.058	2642-27927-N219	2642-27927-T219	2642-27927-PH219
		.279	.027	.500	.062	.089	2715-27927-N219	2715-27927-T219	2715-27927-PH219
		.279	.027	.562	.031	.058	2644-27927-N219	2644-27927-T219	2644-27927-PH219
		.279	.027	.562	.062	.089	2717-27927-N219	2717-27927-T219	2717-27927-PH219
		.279	.027	.625	.031	.058	2646-27927-N219	2646-27927-T219	2646-27927-PH219
		.279	.027	.625	.062	.089	2718-27927-N219	2718-27927-T219	2718-27927-PH219
		.279	.027	.750	.031	.058	2649-27927-N219	2649-27927-T219	2649-27927-PH219
		.279	.027	.750	.062	.089	2720-27927-N219	2720-27927-T219	2720-27927-PH219
		.279	.050	.375	.031	.081	2638-27950-N219	2638-27950-T219	2638-27950-PH219
		.279	.050	.375	.062	.112	2711-27950-N219	2711-27950-T219	2711-27950-PH219
		.279	.050	.437	.031	.081	2640-27950-N219	2640-27950-T219	2640-27950-PH219
		.279	.050	.437	.062	.112	2713-27950-N219	2713-27950-T219	2713-27950-PH219
		.279	.050	.468	.031	.081	2641-27950-N219	2641-27950-T219	2641-27950-PH219
		.279	.050	.468	.062	.112	2714-27950-N219	2714-27950-T219	2714-27950-PH219
		.279	.050	.500	.031	.081	2642-27950-N219	2642-27950-T219	2642-27950-PH219
		.279	.050	.500	.062	.112	2715-27950-N219	2715-27950-T219	2715-27950-PH219
		.279	.050	.562	.031	.081	2644-27950-N219	2644-27950-T219	2644-27950-PH219
		.279	.050	.562	.062	.112	2717-27950-N219	2717-27950-T219	2717-27950-PH219
		.279	.050	.625	.031	.081	2646-27950-N219	2646-27950-T219	2646-27950-PH219
		.279	.050	.625	.062	.112	2718-27950-N219	2718-27950-T219	2718-27950-PH219
		.279	.050	.750	.031	.081	2649-27950-N219	2649-27950-T219	2649-27950-PH219
		.279	.050	.750	.062	.112	2720-27950-N129	2720-27950-T219	2720-27950-PH219
		.310	.027	.437	.031	.058	2640-31027-N219	2640-31027-T219	2640-31027-PH219
		.310	.027	.437	.062	.089	2713-31027-N219	2713-31027-T219	2713-31027-PH219
		.310	.027	.468	.031	.058	2641-31027-N219	2641-31027-T219	2641-31027-PH219
		.310	.027	.468	.062	.089	2714-31027-N219	2714-31027-T219	2714-31027-PH219
		.310	.027	.500	.031	.058	2642-31027-N219	2642-31027-T219	2642-31027-PH219
		.310	.027	.500	.062	.089	2715-31027-N219	2715-31027-T219	2715-31027-PH219
		.310	.027	.562	.031	.058	2644-31027-N219	2644-31027-T219	2644-31027-PH219
		.310	.027	.562	.062	.089	2717-31027-N219	2717-31027-T219	2717-31027-PH219

Continued next page

## INSULATING SHOULDER WASHERS SCREW CLEARANCE NO. 12



TOLERANCES			
I. D.	+ .010, - .000	L. H.	± .005
D. S.	+ .000, - .010	L. O.	± .005 for .047 - .065 Thick.
L. S.	REF.		± .008 for .075 - .094 Thick.
O. D.	+ .015, - .005		± .010 for .095 Thick. & over

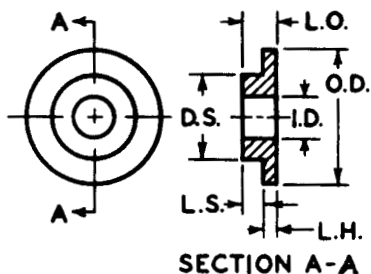
Continued from previous page

SCREW SIZE	I. D.	D. S.	L. S.	O. D.	L. H.	L. O.	MATERIAL			
								NYLON (N)	TEFLON (T)	PHENOLIC (PH)
12 (.216)	.219	.310	.027	.625	.031	.058		2646-31027-N219	2646-31027-T219	2646-31027-PH219
		.310	.027	.625	.062	.089		2718-31027-N219	2718-31027-T219	2718-31027-PH219
		.310	.027	.750	.031	.058		2649-31027-N219	2649-31027-T219	2649-31027-PH219
		.310	.027	.750	.062	.089		2720-31027-N219	2720-31027-T219	2720-31027-PH219
		.310	.050	.437	.031	.081		2640-31050-N219	2640-31050-T219	2640-31050-PH219
		.310	.050	.437	.062	.112		2713-31050-N219	2713-31050-T219	2713-31050-PH219
		.310	.050	.468	.031	.081		2641-31050-N219	2641-31050-T219	2641-31050-PH219
		.310	.050	.468	.062	.112		2714-31050-N219	2714-31050-T219	2714-31050-PH219
		.310	.050	.500	.031	.081		2642-31050-N219	2642-31050-T219	2642-31050-PH219
		.310	.050	.500	.062	.112		2715-31050-N219	2715-31050-T219	2715-31050-PH219
		.310	.050	.562	.031	.081		2644-31050-N219	2644-31050-T219	2644-31050-PH219
		.310	.050	.562	.062	.112		2717-31050-N219	2717-31050-T219	2717-31050-PH219
		.310	.050	.625	.031	.081		2646-31050-N219	2646-31050-T219	2646-31050-PH219
		.310	.050	.625	.062	.112		2718-31050-N219	2718-31050-T219	2718-31050-PH219
		.310	.050	.750	.031	.081		2649-31050-N219	2649-31050-T219	2649-31050-PH219
		.310	.050	.750	.062	.112		2720-31050-N219	2720-31050-T219	2720-31050-PH219
		.341	.027	.468	.031	.058		2641-34127-N219	2641-34127-T219	2641-34127-PH219
		.341	.027	.468	.062	.089		2714-34127-N219	2714-34127-T219	2714-34127-PH219
		.341	.027	.500	.031	.058		2642-34127-N219	2642-34127-T219	2642-34127-PH219
		.341	.027	.500	.062	.089		2715-34127-N219	2715-34127-T219	2715-34127-PH219
		.341	.027	.562	.031	.058		2644-34127-N219	2644-34127-T219	2644-34127-PH219

Continued next page



## INSULATING SHOULDER WASHERS SCREW CLEARANCE NO. 12



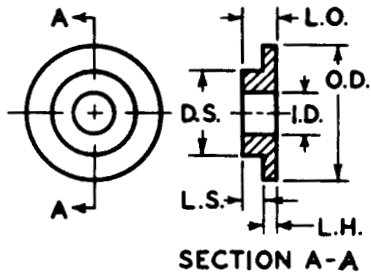
TOLERANCES			
I. D.	+ .010, - .000	L. H.	± .005
D. S.	+ .000, - .010	L. O.	± .005 for .047 - .065 Thick.
L. S.	REF.		± .008 for .075 - .094 Thick.
O. D.	+ .015, - .005		± .010 for .095 Thick. & over

Continued from previous page

SCREW SIZE	I. D.	D. S.	L. S.	O. D.	L. H.	L. O.	MATERIAL		
							NYLON (N)	TEFLON (T)	PHENOLIC (PH)
12 (.216)	.219	.341	.027	.562	.062	.089	2717-34127-N219	2717-34127-T219	2717-34127-PH219
		.341	.027	.625	.031	.058	2646-34127-N219	2646-34127-T219	2646-34127-PH219
		.341	.027	.625	.062	.089	2718-34127-N219	2718-34127-T219	2718-34127-PH219
		.341	.027	.750	.031	.058	2649-34127-N219	2649-34127-T219	2649-34127-PH219
		.341	.027	.750	.062	.089	2720-34127-N219	2720-34127-T219	2720-34127-PH219
		.341	.050	.468	.031	.081	2641-34150-N219	2641-34150-T219	2641-34150-PH219
		.341	.050	.468	.062	.112	2714-34150-N219	2714-34150-T219	2714-34150-PH219
		.341	.050	.500	.031	.081	2642-34150-N219	2642-34150-T219	2642-34150-PH219
		.341	.050	.500	.062	.112	2715-34150-N219	2715-34150-T219	2715-34150-PH219
		.341	.050	.562	.031	.081	2644-34150-N219	2644-34150-T219	2644-34150-PH219
		.341	.050	.562	.062	.112	2717-34150-N219	2717-34150-T219	2717-34150-PH219
		.341	.050	.625	.031	.081	2646-34150-N219	2646-34150-T219	2646-34150-PH219
		.341	.050	.625	.062	.112	2718-34150-N219	2718-34150-T219	2718-34150-PH219
		.341	.050	.750	.031	.081	2649-34150-N219	2649-34150-T219	2649-34150-PH219
		.341	.050	.750	.062	.112	2720-34150-N219	2720-34150-T219	2720-34150-PH219
		.371	.027	.500	.031	.058	2642-37127-N219	2642-37127-T219	2642-37127-PH219
		.371	.027	.500	.062	.089	2715-37127-N219	2715-37127-T219	2715-37127-PH219
		.371	.027	.562	.031	.058	2644-37127-N219	2644-37127-T219	2644-37127-PH219
		.371	.027	.562	.062	.089	2717-37127-N219	2717-37127-T219	2717-37127-PH219
		.371	.027	.625	.031	.058	2646-37127-N219	2646-37127-T219	2646-37127-PH219
		.371	.027	.625	.062	.089	2718-37127-N219	2718-37127-T219	2718-37127-PH219
		.371	.027	.750	.031	.058	2649-37127-N219	2649-37127-T219	2649-37127-PH219
		.371	.027	.750	.062	.089	2720-37127-N219	2720-37127-T219	2720-37127-PH219
		.371	.050	.500	.031	.081	2642-37150-N219	2642-37150-T219	2642-37150-PH219
		.371	.050	.500	.062	.112	2715-37150-N219	2715-37150-T219	2715-37150-PH219
		.371	.050	.562	.031	.081	2644-37150-N219	2644-37150-T219	2644-37150-PH219
		.371	.050	.562	.062	.112	2717-37150-N219	2717-37150-T219	2717-37150-PH219
		.371	.050	.625	.031	.081	2646-37150-N219	2646-37150-T219	2646-37150-PH219
		.371	.050	.625	.062	.112	2718-37150-N219	2718-37150-T219	2718-37150-PH219
		.371	.050	.750	.031	.081	2649-37150-N219	2649-37150-T219	2649-37150-PH219
		.371	.050	.750	.062	.112	2720-37150-N219	2720-37150-T219	2720-37150-PH219
		.432	.027	.562	.031	.058	2644-43227-N219	2644-43227-T219	2644-43227-PH219
		.432	.027	.562	.062	.089	2717-43227-N219	2717-43227-T219	2717-43227-PH219
		.432	.027	.625	.031	.058	2646-43227-N219	2646-43227-T219	2646-43227-PH219
		.432	.027	.625	.062	.089	2718-43227-N219	2718-43227-T219	2718-43227-PH219
		.432	.027	.750	.031	.058	2649-43227-N219	2649-43227-T219	2649-43227-PH219

Continued next page

## INSULATING SHOULDER WASHERS SCREW CLEARANCE NO. 12



SECTION A-A

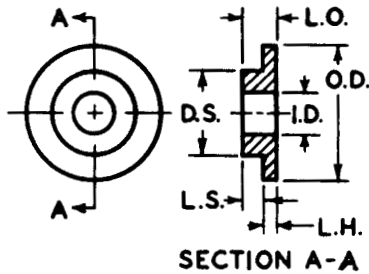
TOLERANCES			
I. D.	+ .010, - .000	L. H.	± .005
D. S.	+ .000, - .010	L. O.	± .005 for .047 - .065 Thick.
L. S.	REF.		± .008 for .075 - .094 Thick.
O. D.	+ .015, - .005		± .010 for .095 Thick. & over

Continued from previous page

SCREW SIZE	I. D.	D. S.	L. S.	O. D.	L. H.	L. O.	MATERIAL			
							NYLON (N)	TEFLON (T)	PHENOLIC (PH)	
12 (.216)	.219	.432	.027	.750	.062	.089	2720-43227-N219	2720-43227-T219	2720-43227-PH219	
		.432	.050	.562	.031	.081	2644-43250-N219	2644-43250-T219	2644-43250-PH219	
		.432	.050	.562	.062	.112	2717-43250-N219	2717-43250-T219	2717-43250-PH219	
		.432	.050	.625	.031	.081	2646-43250-N219	2646-43250-T219	2646-43250-PH219	
		.432	.050	.625	.062	.112	2718-43250-N219	2718-43250-T219	2718-43250-PH219	
		.432	.050	.750	.031	.081	2649-43250-N219	2649-43250-T219	2649-43250-PH219	
		.432	.050	.750	.062	.112	2720-43250-N219	2720-43250-T219	2720-43250-PH219	
		.495	.027	.625	.031	.058	2646-49527-N219	2646-49527-T219	2646-49527-PH219	
		.495	.027	.625	.062	.089	2718-49527-N219	2718-49527-T219	2718-49527-PH219	
		.495	.027	.750	.031	.058	2649-49527-N219	2649-49527-T219	2649-49527-PH219	
		.495	.027	.750	.062	.089	2720-49527-N219	2720-49527-T219	2720-49527-PH219	
		.495	.050	.625	.031	.081	2646-49550-N219	2646-49550-T219	2646-49550-PH219	
		.495	.050	.625	.062	.112	2718-49550-N219	2718-49550-T219	2718-49550-PH219	
		.495	.050	.750	.031	.081	2649-49550-N219	2649-49550-T219	2649-49550-PH219	
		.495	.050	.750	.062	.112	2720-49550-N219	2720-49550-T219	2720-49550-PH219	
		.230	.307	.011	.500	.020	.031	2592-30711-N230	2592-30711-T230	**2592-30711-PH230
		.233	.340	.055	.500	.078	.133	2730-34055-N233	2730-34055-T233	2730-34055-PH233
		.234	.343	.031	.500	.031	.062	2642-34331-N234	2642-34331-T234	2642-34331-PH234

NOTE: \*\* Not available machined in Phenolic with L.H. thinner than .031. Can be molded if required. Special order only.

## INSULATING SHOULDER WASHERS SCREW CLEARANCE NO. 1/4

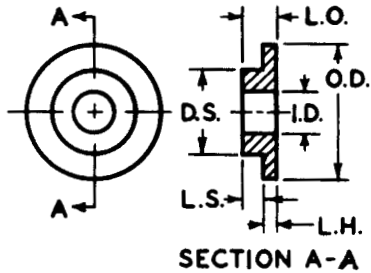


TOLERANCES			
I. D.	+ .010, - .000	L. H.	± .005
D. S.	+ .000, - .010	L. O.	± .005 for .047 - .065 Thick.
L. S.	REF.		± .008 for .075 - .094 Thick.
O. D.	+ .015, - .005		± .010 for .095 Thick. & over

SCREW SIZE	I. D.	D. S.	L. S.	O. D.	L. H.	L. O.	MATERIAL			
							NYLON (N)	TEFLON (T)	PHENOLIC (PH)	
1/4 (.250)	.252	.312	.028	.500	.040	.068	2668-31228-N252	2668-31228-T252	2668-31228-PH252	
		.312	.031	.500	.031	.062	2642-31231-N252	2642-31231-T252	2642-31231-PH252	
		.312	.032	.500	.062	.094	2715-31232-N252	2715-31232-T252	2715-31232-PH252	
		.312	.062	.375	.125	.187	2758-31262-N252	2758-31262-T252	2758-31262-PH252	
		.312	.063	.500	.062	.125	2715-31263-N252	2715-31263-T252	2715-31263-PH252	
		.312	.063	.750	.062	.125	2720-31263-N252	2720-31263-T252	2720-31263-PH252	
		.343	.062	.625	.125	.187	2762-34362-N252	2762-34362-T252	2762-34362-PH252	
		.372	.025	.500	.062	.087	2715-37225-N252	2715-37225-T252	2715-37225-PH252	
		.375	.032	.500	.031	.063	2642-37532-N252	2642-37532-T252	2642-37532-PH252	
		.437	.032	.625	.062	.094	2718-43732-N252	2718-43732-T252	2718-43732-PH252	
		.253	.310	.027	.437	.031	.058	2640-31027-N253	2640-31027-T253	2640-31027-PH253
			.310	.027	.437	.062	.089	2713-31027-N253	2713-31027-T253	2713-31027-PH253
			.310	.027	.468	.031	.058	2641-31027-N253	2641-31027-T253	2641-31027-PH253
			.310	.027	.468	.062	.089	2714-31027-N253	2714-31027-T253	2714-31027-PH253
			.310	.027	.500	.031	.058	2642-31027-N253	2642-31027-T253	2642-31027-PH253
			.310	.027	.500	.062	.089	2715-31027-N253	2715-31027-T253	2715-31027-PH253
			.310	.027	.562	.031	.058	2644-31027-N253	2644-31027-T253	2644-31027-PH253
			.310	.027	.562	.062	.089	2717-31027-N253	2717-31027-T253	2717-31027-PH253
			.310	.027	.625	.031	.058	2646-31027-N253	2646-31027-T253	2646-31027-PH253
			.310	.027	.625	.062	.089	2718-31027-N253	2718-31027-T253	2718-31027-PH253
			.310	.027	.750	.031	.058	2649-31027-N253	2649-31027-T253	2649-31027-PH253
			.310	.027	.750	.062	.089	2720-31027-N253	2720-31027-T253	2720-31027-PH253
			.310	.050	.437	.031	.081	2640-31050-N253	2640-31050-T253	2640-31050-PH253
			.310	.050	.437	.062	.112	2713-31050-N253	2713-31050-T253	2713-31050-PH253
	.310		.050	.468	.031	.081	2641-31050-N253	2641-31050-T253	2641-31050-PH253	
	.310		.050	.468	.062	.112	2714-31050-N253	2714-31050-T253	2714-31050-PH253	
	.310		.050	.500	.031	.081	2642-31050-N253	2642-31050-T253	2642-31050-PH253	
	.310		.050	.500	.062	.112	2715-31050-N253	2715-31050-T253	2715-31050-PH253	
	.310		.050	.562	.031	.081	2644-31050-N253	2644-31050-T253	2644-31050-PH253	
	.310		.050	.562	.062	.112	2717-31050-N253	2717-31050-T253	2717-31050-PH253	
	.310		.050	.625	.031	.081	2646-31050-N253	2646-31050-T253	2646-31050-PH253	
	.310		.050	.625	.062	.112	2718-31050-N253	2718-31050-T253	2718-31050-PH253	
	.310		.050	.750	.031	.081	2649-31050-N253	2649-31050-T253	2649-31050-PH253	
	.310		.050	.750	.062	.112	2720-31050-N253	2720-31050-T253	2720-31050-PH253	
	.312	.094	.437	.062	.156	2713-31294-N253	2713-31294-T253	2713-31294-PH253		
	.341	.027	.468	.031	.058	2641-34127-N253	2641-34127-T253	2641-34127-PH253		

Continued next page

## INSULATING SHOULDER WASHERS SCREW CLEARANCE NO. 1/4



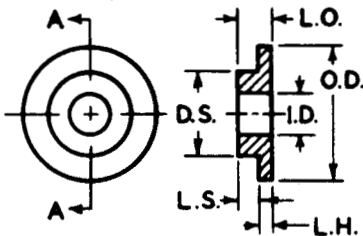
TOLERANCES			
I. D.	+ .010, - .000	L. H.	± .005
D. S.	+ .000, - .010	L. O.	± .005 for .047 - .065 Thick.
L. S.	REF.		± .008 for .075 - .094 Thick.
O. D.	+ .015, - .005		± .010 for .095 Thick. & over

Continued from previous page

SCREW SIZE	I. D.	D. S.	L. S.	O. D.	L. H.	L. O.	MATERIAL		
							NYLON (N)	TEFLON (T)	PHENOLIC (PH)
1/4 (.250)	.253	.341	.027	.468	.062	.089	2714-34127-N253	2714-34127-T253	2714-34127-PH253
		.341	.027	.500	.031	.058	2642-34127-N253	2642-34127-T253	2642-34127-PH253
		.341	.027	.500	.062	.089	2715-34127-N253	2715-34127-T253	2715-34127-PH253
		.341	.027	.562	.031	.058	2644-34127-N253	2644-34127-T253	2644-34127-PH253
		.341	.027	.562	.062	.089	2717-34127-N253	2717-34127-T253	2717-34127-PH253
		.341	.027	.625	.031	.058	2646-34127-N253	2646-34127-T253	2646-34127-PH253
		.341	.027	.625	.062	.089	2718-34127-N253	2718-34127-T253	2718-34127-PH253
		.341	.027	.750	.031	.058	2649-34127-N253	2649-34127-T253	2649-34127-PH253
		.341	.027	.750	.062	.089	2720-34127-N253	2720-34127-T253	2720-34127-PH253
		.341	.050	.468	.031	.081	2641-34150-N253	2641-34150-T253	2641-34150-PH253
		.341	.050	.468	.062	.112	2714-34150-N253	2714-34150-T253	2714-34150-PH253
		.341	.050	.500	.031	.081	2642-34150-N253	2642-34150-T253	2642-34150-PH253
		.341	.050	.500	.062	.112	2715-34150-N253	2715-34150-T253	2715-34150-PH253
		.341	.050	.562	.031	.081	2644-34150-N253	2644-34150-T253	2644-34150-PH253
		.341	.050	.562	.062	.112	2717-34150-N253	2717-34150-T253	2717-34150-PH253
		.341	.050	.625	.031	.081	2646-34150-N253	2646-34150-T253	2646-34150-PH253
		.341	.050	.625	.062	.112	2718-34150-N253	2718-34150-T253	2718-34150-PH253
		.341	.050	.750	.031	.081	2649-34150-N253	2649-34150-T253	2649-34150-PH253
		.341	.050	.750	.062	.112	2720-34150-N253	2720-34150-T253	2720-34150-PH253
		.371	.027	.500	.031	.058	2642-37127-N253	2642-37127-T253	2642-37127-PH253
		.371	.027	.500	.062	.089	2715-37127-N253	2715-37127-T253	2715-37127-PH253

Continued next page

## INSULATING SHOULDER WASHERS SCREW CLEARANCE NO. 1/4



SECTION A-A

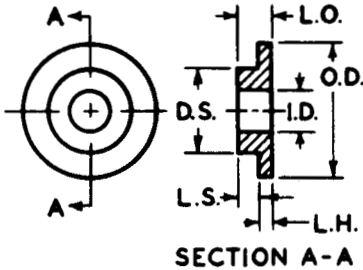
TOLERANCES	
I. D. +.010, -.000	L. H. ±.005
D. S. +.000, -.010	L. O. ±.005 for .047 - .065 Thick.
L. S. REF.	±.008 for .075 - .094 Thick.
O. D. +.015, -.005	±.010 for .095 Thick. & over

Continued from previous page

SCREW SIZE	I. D.	D. S.	L. S.	O. D.	L. H.	L. O.	MATERIAL		
							NYLON (N)	TEFLON (T)	PHENOLIC (PH)
1/4 (.250)	.253	.371	.027	.562	.031	.058	2644-37127-N253	2644-37127-T253	2644-37127-PH253
		.371	.027	.562	.062	.089	2717-37127-N253	2717-37127-T253	2717-37127-PH253
		.371	.027	.625	.031	.058	2646-37127-N253	2646-37127-T253	2646-37127-PH253
		.371	.027	.625	.062	.089	2718-37127-N253	2718-37127-T253	2718-37127-PH253
		.371	.027	.750	.031	.058	2649-37127-N253	2649-37127-T253	2649-37127-PH253
		.371	.027	.750	.062	.089	2720-37127-N253	2720-37127-T253	2720-37127-PH253
		.371	.050	.500	.031	.081	2642-37150-N253	2642-37150-T253	2642-37150-PH253
		.371	.050	.500	.062	.112	2715-37150-N253	2715-37150-T253	2715-37150-PH253
		.371	.050	.562	.031	.081	2644-37150-N253	2644-37150-T253	2644-37150-PH253
		.371	.050	.562	.062	.112	2717-37150-N253	2717-37150-T253	2717-37150-PH253
		.371	.050	.625	.031	.081	2646-37150-N253	2646-37150-T253	2646-37150-PH253
		.371	.050	.625	.062	.112	2718-37150-N253	2718-37150-T253	2718-37150-PH253
		.371	.050	.750	.031	.081	2649-37150-N253	2649-37150-T253	2649-37150-PH253
		.371	.050	.750	.062	.112	2720-37150-N253	2720-37150-T253	2720-37150-PH253
		.432	.027	.562	.031	.058	2644-43227-N253	2644-43227-T253	2644-43227-PH253
		.432	.027	.562	.062	.089	2717-43227-N253	2717-43227-T253	2717-43227-PH253
		.432	.027	.625	.031	.058	2646-43227-N253	2646-43227-T253	2646-43227-PH253
		.432	.027	.625	.062	.089	2718-43227-N253	2718-43227-T253	2718-43227-PH253
		.432	.027	.750	.031	.058	2649-43227-N253	2649-43227-T253	2649-43227-PH253
		.432	.027	.750	.062	.089	2720-43227-N253	2720-43227-T253	2720-43227-PH253
		.432	.050	.562	.031	.081	2644-43250-N253	2644-43250-T253	2644-43250-PH253
		.432	.050	.562	.062	.112	2717-43250-N253	2717-43250-T253	2717-43250-PH253
		.432	.050	.625	.031	.081	2646-43250-N253	2646-43250-T253	2646-43250-PH253
		.432	.050	.625	.062	.112	2718-43250-N253	2718-43250-T253	2718-43250-PH253
		.432	.050	.750	.031	.081	2649-43250-N253	2649-43250-T253	2649-43250-PH253
		.432	.050	.750	.062	.112	2720-43250-N253	2720-43250-T253	2720-43250-PH253
		.495	.027	.562	.031	.058	2644-49527-N253	2644-49527-T253	2644-49527-PH253
		.495	.027	.562	.062	.089	2717-49527-N253	2717-49527-T253	2717-49527-PH253
		.495	.027	.625	.031	.058	2646-49527-N253	2646-49527-T253	2646-49527-PH253
		.495	.027	.625	.062	.089	2718-49527-N253	2718-49527-T253	2718-49527-PH253
		.495	.027	.750	.031	.058	2649-49527-N253	2649-49527-T253	2649-49527-PH253
		.495	.027	.750	.062	.089	2720-49527-N253	2720-49527-T253	2720-49527-PH253
		.495	.050	.562	.031	.081	2644-49550-N253	2644-49550-T253	2644-49550-PH253
		.495	.050	.562	.062	.112	2717-49550-N253	2717-49550-T253	2717-49550-PH253
		.495	.050	.625	.031	.081	2646-49550-N253	2646-49550-T253	2646-49550-PH253
		.495	.050	.625	.062	.112	2718-49550-N253	2718-49550-T253	2718-49550-PH253

Continued next page

## INSULATING SHOULDER WASHERS SCREW CLEARANCE NO. 1/4



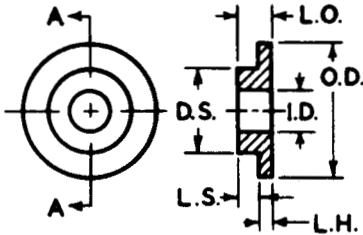
TOLERANCES			
I. D.	+ .010, - .000	L. H.	± .005
D. S.	+ .000, - .010	L. O.	± .005 for .047 - .065 Thick.
L. S.	REF.		± .008 for .075 - .094 Thick.
O. D.	+ .015, - .005		± .010 for .095 Thick. & over

Continued from previous page

SCREW SIZE	I. D.	D. S.	L. S.	O. D.	L. H.	L. O.	MATERIAL		
							NYLON (N)	TEFLON (T)	PHENOLIC (PH)
1/4 (.250) ↓	.253	.495	.050	.750	.031	.081	2649-49550-N253	2649-49550-T253	2649-49550-PH253
	↓	.495	.050	.750	.062	.112	2720-49550-N253	2720-49550-T253	2720-49550-PH253
	.255	.341	.069	.500	.047	.116	2682-34169-N255	2682-34169-T255	2682-34169-PH255
	↓	.343	.093	.500	.063	.156	2715-34393-N257	2715-34393-T257	2715-34393-PH257
	.257	.343	.093	.500	.063	.156	2715-34393-N257	2715-34393-T257	2715-34393-PH257
	↓	.375	.031	.500	.063	.094	2715-37531-N258	2715-37531-T258	2715-37531-PH258
	.260	.310	.052	.437	.060	.112	2713-31052-N260	2713-31052-T260	2713-31052-PH260
	↓	.437	.078	.625	.078	.156	2731-43778-N260	2731-43778-T260	2731-43778-PH260
	.266	.365	.032	.500	.062	.094	2715-36532-N266	2715-36532-T266	2715-36532-PH266
	↓	.484	.062	.875	.093	.155	2748-48462-N266	2748-48462-T266	2748-48462-PH266
	.281	.312	.063	.625	.062	.125	2718-31263-N281	2718-31263-T281	2718-31263-PH281
	↓	.500	.063	.750	.062	.125	2720-50063-N281	2720-50063-T281	2720-50063-PH281
	.289	.352	.031	.531	.031	.062	2643-35231-N289	2643-35231-T289	2643-35231-PH289
	↓	.562	.020	1.000	.125	.145	2768-56220-N281	2768-56220-T281	2768-56220-PH281
	.296	.339	.036	.531	.037	.073	2669-33936-N296	2669-33936-T296	2669-33936-PH296
	↓	.437	.032	.750	.125	.157	2765-43732-N305	2765-43732-T305	2765-43732-PH305
	.305	.437	.032	.750	.125	.157	2765-43732-N305	2765-43732-T305	2765-43732-PH305
	↓	.312	.025	.500	.031	.056	2642-36825-N312	2642-36825-T312	2642-36825-PH312
	.312	.368	.025	.500	.031	.056	2642-36825-N312	2642-36825-T312	2642-36825-PH312
	.313	.375	.016	.500	.031	.047	2642-37516-N313	2642-37516-T313	2642-37516-PH313
	↓	.437	.032	.500	.062	.094	2715-43732-N313	2715-43732-T313	2715-43732-PH313
	.500	.500	.032	.625	.062	.094	2718-50032-N313	2718-50032-T313	2718-50032-PH313

NOTE: \*\* Not available machined in Phenolic with L.H. thinner than .031. Can be molded if required. Special order only.

## INSULATING SHOULDER WASHERS SCREW CLEARANCE NO. 5/16

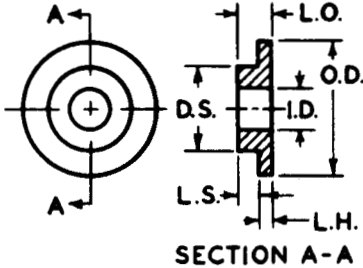


TOLERANCES			
I. D.	+ .010, - .000	L. H.	± .005
D. S.	+ .000, - .010	L. O.	± .005 for .047 - .065 Thick.
L. S.	REF.		± .008 for .075 - .094 Thick.
O. D.	+ .015, - .005		± .010 for .095 Thick. & over

SCREW SIZE	I. D.	D. S.	L. S.	O. D.	L. H.	L. O.	MATERIAL		
							NYLON (N)	TEFLON (T)	PHENOLIC (PH)
5/16 (.312)	.317	.371	.027	.500	.031	.058	2642-37127-N317	2642-37127-T317	2642-37127-PH317
		.371	.027	.500	.062	.089	2715-37127-N317	2715-37127-T317	2715-37127-PH317
		.371	.027	.562	.031	.058	2644-37127-N317	2644-37127-T317	2644-37127-PH317
		.371	.027	.562	.062	.089	2717-37127-N317	2717-37127-T317	2717-37127-PH317
		.371	.027	.625	.031	.058	2646-37127-N317	2646-37127-T317	2646-37127-PH317
		.371	.027	.625	.062	.089	2718-37127-N317	2718-37127-T317	2718-37127-PH317
		.371	.027	.750	.031	.058	2649-37127-N317	2649-37127-T317	2649-37127-PH317
		.371	.027	.750	.062	.089	2720-37127-N317	2720-37127-T317	2720-37127-PH317
		.371	.050	.500	.031	.081	2642-37150-N317	2642-37127-T317	2642-37127-PH317
		.371	.050	.500	.062	.112	2715-37150-N317	2715-37150-T317	2715-37150-PH317
		.371	.050	.562	.031	.081	2644-37150-N317	2644-37150-T317	2644-37150-PH317
		.371	.050	.562	.062	.112	2717-37150-N317	2717-37150-T317	2717-37150-PH317
		.371	.050	.625	.031	.081	2646-37150-N317	2646-37150-T317	2646-37150-PH317
		.371	.050	.625	.062	.112	2718-37150-N317	2718-37150-T317	2718-37150-PH317
		.371	.050	.750	.031	.081	2649-37150-N317	2649-37150-T317	2649-37150-PH317
		.371	.050	.750	.062	.112	2720-37150-N317	2720-37150-T317	2720-37150-PH317
		.432	.027	.500	.062	.089	2715-43227-N317	2715-43227-T317	2715-43227-PH317
		.432	.027	.562	.031	.058	2644-43227-N317	2644-43227-T317	2644-43227-PH317
		.432	.027	.562	.062	.089	2717-43227-N317	2717-43227-T317	2717-43227-PH317
		.432	.027	.625	.031	.058	2646-43227-N317	2646-43227-T317	2646-43227-PH317
		.432	.027	.625	.062	.089	2718-43227-N317	2718-43227-T317	2718-43227-PH317
		.432	.027	.750	.031	.058	2649-43227-N317	2649-43227-T317	2649-43227-PH317
		.432	.027	.750	.062	.089	2720-43227-N317	2720-43227-T317	2720-43227-PH317
		.432	.050	.562	.031	.081	2644-43250-N317	2644-43250-T317	2644-43250-PH317
		.432	.050	.562	.062	.112	2717-43250-N317	2717-43250-T317	2717-43250-PH317
		.432	.050	.625	.031	.081	2646-43250-N317	2646-43250-T317	2646-43250-PH317
		.432	.050	.625	.062	.112	2718-43250-N317	2718-43250-T317	2718-43250-PH317
		.432	.050	.750	.031	.081	2649-43250-N317	2649-43250-T317	2649-43250-PH317
		.432	.050	.750	.062	.112	2720-43250-N317	2720-43250-T317	2720-43250-PH317
		.495	.027	.625	.031	.058	2646-49527-N317	2646-49527-T317	2646-49527-PH317
		.495	.027	.625	.062	.089	2718-49527-N317	2718-49527-T317	2718-49527-PH317
		.495	.027	.750	.031	.058	2649-49527-N317	2649-49527-T317	2649-49527-PH317
		.495	.027	.750	.062	.089	2720-49527-N317	2720-49527-T317	2720-49527-PH317
		.495	.050	.625	.031	.081	2646-49550-N317	2646-49550-T317	2646-49527-PH317
		.495	.050	.625	.062	.112	2718-49550-N317	2718-49550-T317	2718-49550-PH317
		.495	.050	.750	.031	.081	2649-49550-N317	2649-49550-T317	2649-49550-PH317

Continued next page

## INSULATING SHOULDER WASHERS SCREW CLEARANCE NO. 5/16



TOLERANCES			
I. D.	+ .010, - .000	L. H.	± .005
D. S.	+ .000, - .010	L. O.	± .005 for .047 - .065 Thick.
L. S.	REF.		± .008 for .075 - .094 Thick.
O. D.	+ .015, - .005		± .010 for .095 Thick. & over

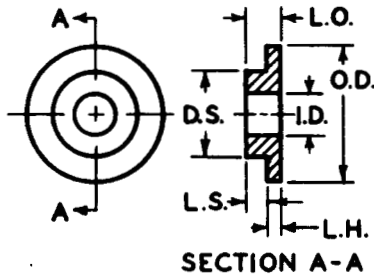
Continued from previous page

SCREW SIZE	I. D.	D. S.	L. S.	O. D.	L. H.	L. O.	MATERIAL		
							NYLON (N)	TEFLON (T)	PHENOLIC (PH)
5/16 (.312)	.317	.495	.050	.750	.062	.112	2720-49550-N317	2720-49550-T317	2720-49550-PH317
	.319	.375	.031	.500	.063	.094	2715-37531-N319	2715-37531-T319	2715-37531-PH319
↓	.320	.375	.046	.500	.062	.108	2715-37546-N320	2715-37546-T320	2715-37546-PH320
	.325	.525	.048	.780	.100	.148	2753-52548-N325	2753-52548-T325	2753-52548-PH325
	.343	.562	.020	1.000	.125	.145	2768-56220-N343	2768-56220-T343	2768-56220-PH343
	.345	.470	.040	.625	.062	.102	2718-47040-N345	2718-47040-T345	2718-47040-PH345
	.375	.490	.031	.625	.062	.093	2718-49031-N375	2718-49031-T375	2718-49031-PH375
		.500	.031	.750	.094	.125	2746-50031-N375	2746-50031-T375	2746-50031-PH375
		.500	.031	1.000	.062	.093	2722-50031-N375	2722-50031-T375	2722-50031-PH375
		.500	.032	.750	.062	.094	2720-50032-N375	2720-50032-T375	2720-50032-PH375
		.500	.047	.625	.031	.078	2646-50047-N375	2646-50047-T375	2646-50047-PH375
		.500	.047	.625	.047	.094	2685-50047-N375	2685-50047-T375	2685-50047-PH375
		.500	.063	.687	.093	.156	2744-50063-N375	2744-50063-T375	2744-50063-PH375
		.625	.032	1.000	.062	.094	2722-62532-N375	2722-62532-T375	2722-62532-PH375

5 Pasco Hill Road • Cromwell, CT 06416-1093  
 Phone: 860-828-0847 • Call Toll Free: 800-243-6032 • Fax: 860-828-0381  
 Web Address: <http://www.amatom.com> • E-Mail: [sales@amatom.com](mailto:sales@amatom.com)



## INSULATING SHOULDER WASHERS SCREW CLEARANCE NO. 3/8



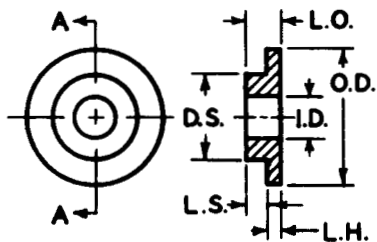
TOLERANCES			
I. D.	+ .010, - .000	L. H.	± .005
D. S.	+ .000, - .010	L. O.	± .005 for .047 - .065 Thick.
L. S.	REF.		± .008 for .075 - .094 Thick.
O. D.	+ .015, - .005		± .010 for .095 Thick. & over

SCREW SIZE	I. D.	D. S.	L. S.	O. D.	L. H.	L. O.	MATERIAL		
							NYLON (N)	TEFLON (T)	PHENOLIC (PH)
3/8 (.375)	.380	.437	.031	.625	.031	.062	2646-43731-N380	2646-43731-T380	2646-43731-PH380
		.442	.025	.625	.032	.057	2646-44225-N380	2646-44225-T380	2646-44225-PH380
		.500	.020	.625	.062	.082	2718-50020-N380	2718-50020-T380	2718-50020-PH380
		.558	.040	.812	.093	.133	2747-55840-N380	2747-55840-T380	2747-55840-PH380
		.432	.027	.562	.031	.058	2644-43227-N385	2644-43227-T385	2644-43227-PH385
		.432	.027	.562	.062	.089	2717-43227-N385	2717-43227-T385	2717-43227-PH385
		.432	.027	.625	.031	.058	2646-43227-N385	2646-43227-T385	2646-43227-PH385
		.432	.027	.625	.062	.089	2718-43227-N385	2718-43227-T385	2718-43227-PH385
		.432	.027	.750	.031	.058	2649-43227-N385	2649-43227-T385	2649-43227-PH385
		.432	.027	.750	.062	.089	2720-43227-N385	2720-43227-T385	2720-43227-PH385
		.432	.027	.875	.031	.058	2652-43227-N385	2652-43227-T385	2652-43227-PH385
		.432	.027	.875	.062	.089	2721-43227-N385	2721-43227-T385	2721-43227-PH385
		.432	.027	1.000	.031	.058	2654-43227-N385	2654-43227-T385	2654-43227-PH385
		.432	.027	1.000	.062	.089	2722-43227-N385	2722-43227-T385	2722-43227-PH385
		.432	.050	.562	.031	.081	2644-43250-N385	2644-43250-T385	2644-43250-PH385
		.432	.050	.562	.062	.112	2717-43250-N385	2717-43250-T385	2717-43250-PH385
		.432	.050	.625	.031	.081	2646-43250-N385	2646-43250-T385	2646-43250-PH385
		.432	.050	.625	.062	.112	2718-43250-N385	2718-43250-T385	2718-43250-PH385
	.432	.050	.750	.031	.081	2649-43250-N385	2649-43250-T385	2649-43250-PH385	
	.432	.050	.750	.062	.112	2720-43250-N385	2720-43250-T385	2720-43250-PH385	
	.432	.050	.875	.031	.081	2652-43250-N385	2652-43250-T385	2652-43250-PH385	
	.432	.050	.875	.062	.112	2721-43250-N385	2721-43250-T385	2721-43250-PH385	
	.432	.050	1.000	.031	.081	2654-43250-N385	2654-43250-T385	2654-43250-PH385	
	.432	.050	1.000	.062	.112	2722-43250-N385	2722-43250-T385	2722-43250-PH385	
	.495	.027	.625	.031	.058	2646-49527-N385	2646-49527-T385	2646-49527-PH385	
	.495	.027	.625	.062	.089	2718-49527-N385	2718-49527-T385	2718-49527-PH385	
	.495	.027	.750	.031	.058	2649-49527-N385	2649-49527-T385	2649-49527-PH385	
	.495	.027	.750	.062	.089	2720-49527-N385	2720-49527-T385	2720-49527-PH385	
	.495	.027	.875	.031	.058	2652-49527-N385	2652-49527-T385	2652-49527-PH385	
	.495	.027	.875	.062	.089	2721-49527-N385	2721-49527-T385	2721-49527-PH385	
	.495	.027	1.000	.031	.058	2654-49527-N385	2654-49527-T385	2654-49527-PH385	
	.495	.027	1.000	.062	.089	2722-49527-N385	2722-49527-T385	2722-49527-PH385	
	.495	.050	.625	.031	.081	2646-49550-N385	2646-49550-T385	2646-49550-PH385	
	.495	.050	.625	.062	.112	2718-49550-N385	2718-49550-T385	2718-49550-PH385	
	.495	.050	.750	.031	.081	2649-49550-N385	2649-49550-T385	2649-49550-PH385	
	.495	.050	.750	.062	.112	2720-49550-N385	2720-49550-T385	2720-49550-PH385	

Continued next page

## INSULATING SHOULDER WASHERS

### SCREW CLEARANCE NO. 3/8



SECTION A-A

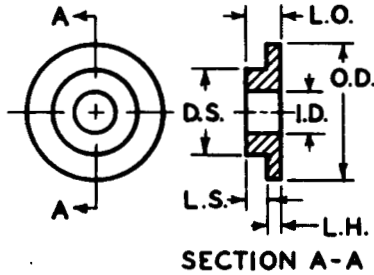
TOLERANCES			
I. D.	+ .010, - .000	L. H.	± .005
D. S.	+ .000, - .010	L. O.	± .005 for .047 - .065 Thick.
L. S.	REF.		± .008 for .075 - .094 Thick.
O. D.	+ .015, - .005		± .010 for .095 Thick. & over

Continued from previous page

SCREW SIZE	I. D.	D. S.	L. S.	O. D.	L. H.	L. O.	MATERIAL		
							NYLON (N)	TEFLON (T)	PHENOLIC (PH)
3/8 (.375)	.385	.495	.050	.875	.031	.081	2652-49550-N385	2652-49550-T385	2652-49550-PH385
		.495	.050	.875	.062	.112	2721-49550-N385	2721-49550-T385	2721-49550-PH385
		.495	.050	1.000	.031	.081	2654-49550-N385	2654-49550-T385	2654-49550-PH385
		.495	.050	1.000	.062	.112	2722-49550-N385	2722-49550-T385	2722-49550-PH385
		.500	.032	.625	.062	.094	2718-50032-N385	2718-50032-T385	2718-50032-PH385
		.556	.027	.750	.031	.058	2649-55627-N385	2649-55627-T385	2649-55627-PH385
		.556	.027	.750	.062	.089	2720-55627-N385	2720-55627-T385	2720-55627-PH385
		.556	.027	.875	.031	.058	2652-55627-N385	2652-55627-T385	2652-55627-PH385
		.556	.027	.875	.062	.089	2721-55627-N385	2721-55627-T385	2721-55627-PH385
		.556	.027	1.000	.031	.058	2654-55627-N385	2654-55627-T385	2654-55627-PH385
		.556	.027	1.000	.062	.089	2722-55627-N385	2722-55627-T385	2722-55627-PH385
		.556	.050	.750	.031	.081	2649-55650-N385	2649-55650-T385	2649-55650-PH385
		.556	.050	.750	.062	.112	2720-55650-N385	2720-55650-T385	2720-55650-PH385
		.556	.050	.875	.031	.081	2652-55650-N385	2652-55650-T385	2652-55650-PH385
		.556	.050	.875	.062	.112	2721-55650-N385	2721-55650-T385	2721-55650-PH385

Continued next page

## INSULATING SHOULDER WASHERS SCREW CLEARANCE NO. 3/8

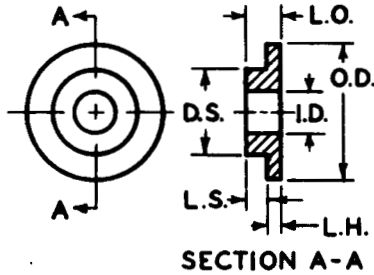


TOLERANCES			
I. D.	+ .010, - .000	L. H.	± .005
D. S.	+ .000, - .010	L. O.	± .005 for .047 - .065 Thick.
L. S.	REF.		± .008 for .075 - .094 Thick.
O. D.	+ .015, - .005		± .010 for .095 Thick. & over

Continued from previous page

SCREW SIZE	I. D.	D. S.	L. S.	O. D.	L. H.	L. O.	MATERIAL			
							NYLON (N)	TEFLON (T)	PHENOLIC (PH)	
3/8 (.375)	↓	.556	.050	1.000	.031	.081	2654-55650-N385	2654-55650-T385	2654-55650-PH385	
		.556	.050	1.000	.062	.112	2722-55650-N385	2722-55650-T385	2722-55650-PH385	
		.562	.030	.687	.125	.155	2763-56230-N385	2763-56230-T385	2763-56230-PH385	
		.616	.027	.750	.031	.058	2649-61627-N385	2649-61627-T385	2649-61627-PH385	
		.616	.027	.750	.062	.089	2720-61627-N385	2720-61627-T385	2720-61627-PH385	
		.616	.027	.875	.031	.058	2652-61627-N385	2652-61627-T385	2652-61627-PH385	
		.616	.027	.875	.062	.089	2721-61627-N385	2721-61627-T385	2721-61627-PH385	
		.616	.027	1.000	.031	.058	2654-61627-N385	2654-61627-T385	2654-61627-PH385	
		.616	.027	1.000	.062	.089	2722-61627-N385	2722-61627-T385	2722-61627-PH385	
		.616	.050	.750	.031	.081	2649-61650-N385	2649-61650-T385	2649-61650-PH385	
		.616	.050	.750	.062	.112	2720-61650-N385	2720-61650-T385	2720-61650-PH385	
		.616	.050	.875	.031	.081	2652-61650-N385	2652-61650-T385	2652-61650-PH385	
		.616	.050	.875	.062	.112	2721-61650-N385	2721-61650-T385	2721-61650-PH385	
		.616	.050	1.000	.031	.081	2654-61650-N385	2654-61650-T385	2654-61650-PH385	
		.616	.050	1.000	.062	.112	2722-61650-N385	2722-61650-T385	2722-61650-PH385	
		.386	.443	.050	.562	.031	.081	2644-44350-N386	2644-44350-T386	2644-44350-PH386
		.386	.484	.046	.688	.031	.077	2647-48446-N386	2647-48446-T386	2647-48446-PH386
		.406	.500	.031	.625	.031	.062	2646-50031-N406	2646-50031-T406	2646-50031-PH406
		.409	.574	.085	.625	.050	.135	2697-57485-N409	2697-57485-T409	2697-57485-PH409
		.437	.498	.047	.625	.031	.078	2646-49847-N437	2646-49847-T437	2646-49847-PH437
.437	.562	.031	.750	.062	.093	2720-56231-N437	2720-56231-T437	2720-56231-PH437		

## INSULATING SHOULDER WASHERS SCREW CLEARANCE NO. 7/16



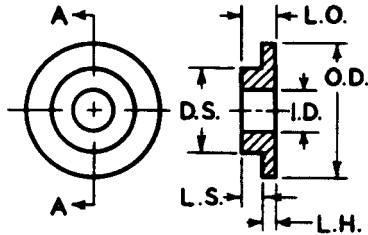
TOLERANCES			
I. D.	+ .010, - .000	L. H.	± .005
D. S.	+ .000, - .010	L. O.	± .005 for .047 - .065 Thick.
L. S.	REF.		± .008 for .075 - .094 Thick.
O. D.	+ .015, - .005		± .010 for .095 Thick. & over

SCREW SIZE	I. D.	D. S.	L. S.	O. D.	L. H.	L. O.	MATERIAL		
							NYLON (N)	TEFLON (T)	PHENOLIC (PH)
7/16 (.437)	.443	.495	.027	.625	.031	.058	2646-49527-N443	2646-49527-T443	2646-49527-PH443
		.495	.027	.625	.062	.089	2718-49527-N443	2718-49527-T443	2718-49527-PH443
		.495	.027	.750	.031	.058	2649-49527-N443	2649-49527-T443	2649-49527-PH443
		.495	.027	.750	.062	.089	2720-49527-N443	2720-49527-T443	2720-49527-PH443
		.495	.027	.875	.031	.058	2652-49527-N443	2652-49527-T443	2652-49527-PH443
		.495	.027	.875	.062	.089	2721-49527-N443	2721-49527-T443	2721-49527-PH443
		.495	.027	1.000	.031	.058	2654-49527-N443	2654-49527-T443	2654-49527-PH443
		.495	.027	1.000	.062	.089	2722-49527-N443	2722-49527-T443	2722-49527-PH443
		.495	.050	.625	.031	.081	2646-49550-N443	2646-49550-T443	2646-49550-PH443
		.495	.050	.625	.062	.112	2718-49550-N443	2718-49550-T443	2718-49550-PH443
		.495	.050	.750	.031	.081	2649-49550-N443	2649-49550-T443	2649-49550-PH443
		.495	.050	.750	.062	.112	2720-49550-N443	2720-49550-T443	2720-49550-PH443
		.495	.050	.875	.031	.081	2652-49550-N443	2652-49550-T443	2652-49550-PH443
		.495	.050	.875	.062	.112	2721-49550-N443	2721-49550-T443	2721-49550-PH443
		.495	.050	1.000	.031	.081	2654-49550-N443	2654-49550-T443	2654-49550-PH443
		.495	.050	1.000	.062	.112	2722-49550-N443	2722-49550-T443	2722-49550-PH443
		.556	.027	.750	.031	.058	2649-55627-N443	2649-55627-T443	2649-55627-PH443
		.556	.027	.750	.062	.089	2720-55627-N443	2720-55627-T443	2720-55627-PH443
		.556	.027	.875	.031	.058	2652-55627-N443	2652-55627-T443	2652-55627-PH443
		.556	.027	.875	.062	.089	2721-55627-N443	2721-55627-T443	2721-55627-PH443
		.556	.027	1.000	.031	.058	2654-55627-N443	2654-55627-T443	2654-55627-PH443
		.556	.027	1.000	.062	.089	2722-55627-N443	2722-55627-T443	2722-55627-PH443
		.556	.050	.750	.031	.081	2649-55650-N443	2649-55650-T443	2649-55650-PH443
		.556	.050	.750	.062	.112	2720-55650-N443	2720-55650-T443	2720-55650-PH443
		.556	.050	.875	.031	.081	2652-55650-N443	2652-55650-T443	2652-55650-PH443
		.556	.050	.875	.062	.112	2721-55650-N443	2721-55650-T443	2721-55650-PH443
		.556	.050	1.000	.031	.081	2654-55650-N443	2654-55650-T443	2654-55650-PH443
		.556	.050	1.000	.062	.112	2722-55650-N443	2722-55650-T443	2722-55650-PH443
		.616	.027	.750	.031	.058	2649-61627-N443	2649-61627-T443	2649-61627-PH443
		.616	.027	.750	.062	.089	2720-61627-N443	2720-61627-T443	2720-61627-PH443
		.616	.027	.875	.031	.058	2652-61627-N443	2652-61627-T443	2652-61627-PH443
		.616	.027	.875	.062	.089	2721-61627-N443	2721-61627-T443	2721-61627-PH443
		.616	.027	1.000	.031	.058	2654-61627-N443	2654-61627-T443	2654-61627-PH443
		.616	.027	1.000	.062	.089	2722-61627-N443	2722-61627-T443	2722-61627-PH443
		.616	.050	.750	.031	.081	2649-61650-N443	2649-61650-T443	2649-61650-PH443
		.616	.050	.750	.062	.112	2720-61650-N443	2720-61650-T443	2720-61650-PH443

Continued next page

5 Pasco Hill Road • Cromwell, CT 06416-1093  
 Phone: 860-828-0847 • Call Toll Free: 800-243-6032 • Fax: 860-828-0381  
 Web Address: <http://www.amatom.com> • E-Mail: [sales@amatom.com](mailto:sales@amatom.com)

## INSULATING SHOULDER WASHERS SCREW CLEARANCE NO. 7/16, 1/2



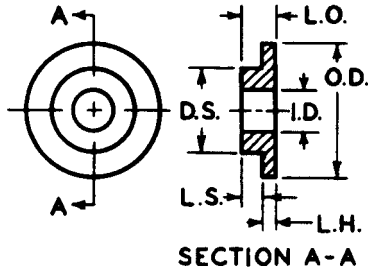
SECTION A-A

TOLERANCES			
I. D.	+ .010, - .000	L. H.	± .005
D. S.	+ .000, - .010	L. O.	± .005 for .047 - .065 Thick.
L. S.	REF.		± .008 for .075 - .094 Thick.
O. D.	+ .015, - .005		± .010 for .095 Thick. & over

Continued from previous page

SCREW SIZE	I. D.	D. S.	L. S.	O. D.	L. H.	L. O.	MATERIAL				
							NYLON (N)	TEFLON (T)	PHENOLIC (PH)		
7/16 (.437)	.443	.616	.050	.875	.031	.081	2652-61650-N443	2652-61650-T443	2652-61650-PH443		
		.616	.050	.875	.062	.112	2721-61650-N443	2721-61650-T443	2721-61650-PH443		
		.616	.050	1.000	.031	.081	2654-61650-N443	2654-61650-T443	2654-61650-PH443		
		.616	.050	1.000	.062	.112	2722-61650-N443	2722-61650-T443	2722-61650-PH443		
		.562	.025	.750	.062	.087	2720-56225-N505	2720-56225-T505	2720-56225-PH505		
		.750	.032	1.000	.062	.094	2722-75032-N505	2722-75032-T505	2722-75032-PH505		
		.569	.032	.875	.032	.064	2652-56932-N505	2652-56932-T505	2652-56932-PH505		
		.508	.560	.030	.890	.040	.070	2674-56030-N508	2674-56030-T508	2674-56030-PH508	
		1/2 (.500)	.515	.556	.027	.750	.062	.089	2720-55627-N515	2720-55627-T515	2720-55627-PH515
				.556	.027	.750	.093	.120	2746-55627-N515	2746-55627-T515	2746-55627-PH515
.556	.027			.875	.062	.089	2721-55627-N515	2721-55627-T515	2721-55627-PH515		
.556	.027			.875	.093	.120	2748-55627-N515	2748-55627-T515	2748-55627-PH515		
.556	.027			1.000	.062	.089	2722-55627-N515	2722-55627-T515	2722-55627-PH515		
.556	.027			1.000	.093	.120	2749-55627-N515	2749-55627-T515	2749-55627-PH515		
.556	.050			.750	.062	.112	2720-55650-N515	2720-55650-T515	2720-55650-PH515		
.556	.050			.750	.093	.143	2746-55650-N515	2746-55650-T515	2746-55650-PH515		
.556	.050			.875	.062	.112	2721-55650-N515	2721-55650-T515	2721-55650-PH515		
.556	.050			.875	.093	.143	2748-55650-N515	2748-55650-T515	2748-55650-PH515		
.556	.050			1.000	.062	.112	2722-55650-N515	2722-55650-T515	2722-55650-PH515		
.556	.050			1.000	.093	.143	2749-55650-N515	2749-55650-T515	2749-55650-PH515		
.616	.027			.750	.062	.089	2720-61627-N515	2720-61627-T515	2720-61627-PH515		
.616	.027			.750	.093	.120	2746-61627-N515	2746-61627-T515	2746-61627-PH515		
.616	.027			.875	.062	.089	2721-61627-N515	2721-61627-T515	2721-61627-PH515		
.616	.027			.875	.093	.120	2748-61627-N515	2748-61627-T515	2748-61627-PH515		
.616	.027			1.000	.062	.089	2722-61627-N515	2722-61627-T515	2722-61627-PH515		
.616	.027			1.000	.093	.120	2749-61627-N515	2749-61627-T515	2749-61627-PH515		
.616	.050			.750	.062	.112	2720-61650-N515	2720-61650-T515	2720-61650-PH515		
.616	.050			.750	.093	.143	2746-61650-N515	2746-61650-T515	2746-61650-PH515		
.616	.050			.875	.062	.112	2721-61650-N515	2721-61650-T515	2721-61650-PH515		
.616	.050			.875	.093	.143	2748-61650-N515	2748-61650-T515	2748-61650-PH515		
.616	.050			1.000	.062	.112	2722-61650-N515	2722-61650-T515	2722-61650-PH515		
.616	.050			1.000	.093	.143	2749-61650-N515	2749-61650-T515	2749-61650-PH515		
.520	.562			.055	.734	.062	.117	2719-56255-N520	2719-56255-T520	2719-56255-PH515	
.562	.687			.094	.875	.062	.156	2721-68794-N562	2721-68794-T562	2721-68794-PH562	

## INSULATING SHOULDER WASHERS SCREW CLEARANCE NO. 9/16



TOLERANCES	
I. D. +.010, -.000	L. H. ±.005
D. S. +.000, -.010	L. O. ±.005 for .047 - .065 Thick.
L. S. REF.	±.008 for .075 - .094 Thick.
O. D. +.015, -.005	±.010 for .095 Thick. & over

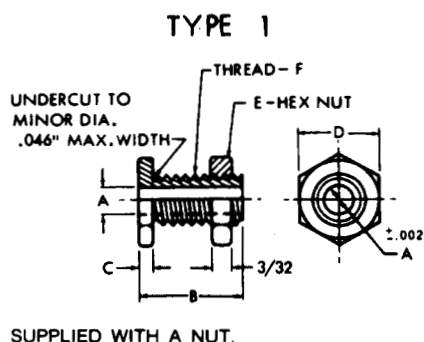
SCREW SIZE	I. D.	D. S.	L. S.	O. D.	L. H.	L. O.	MATERIAL			
							NYLON (N)	TEFLON (T)	PHENOLIC (PH)	
9/16 (.562)	.569	.616	.050	.750	.062	.112	2720-61650-N569	2720-61650-T569	2720-61650-PH569	
		.616	.050	.750	.093	.143	2746-61650-N569	2746-61650-T569	2746-61650-PH569	
		.616	.050	.875	.062	.112	2721-61650-N569	2721-61650-T569	2721-61650-PH569	
		.616	.050	.875	.093	.143	2748-61650-N569	2748-61650-T569	2748-61650-PH569	
		.616	.050	1.000	.062	.112	2722-61650-N569	2722-61650-T569	2722-61650-PH569	
		.616	.050	1.000	.093	.143	2749-61650-N569	2749-61650-T569	2749-61650-PH569	
		.616	.050	1.125	.062	.112	2723-61650-N569	2723-61650-T569	2723-61650-PH569	
		.616	.050	1.125	.093	.143	2750-61650-N569	2750-61650-T569	2750-61650-PH569	
		.616	.050	1.250	.062	.112	2724-61650-N569	2724-61650-T569	2724-61650-PH569	
		.616	.050	1.250	.093	.143	2751-61650-N569	2751-61650-T569	2751-61650-PH569	
		.625	.687	.063	.875	.062	.125	2721-68763-N625	2721-68763-T625	2721-68763-PH625
		.671	.750	.062	1.000	.062	.124	2722-75062-N671	2722-75062-T671	2722-75062-PH671
		.750	.875	.024	1.250	.062	.086	2724-87524-N750	2724-87524-T750	2724-87524-PH750
		.765	.859	.020	1.500	.060	.080	2725-85920-N765	2725-85920-T765	2725-85920-PH765
			.875	.031	1.125	.094	.125	2750-87531-N765	2750-87531-T765	2750-87531-PH765

5 Pasco Hill Road • Cromwell, CT 06416-1093  
 Phone: 860-828-0847 • Call Toll Free: 800-243-6032 • Fax: 860-828-0381  
 Web Address: <http://www.amatom.com> • E-Mail: [sales@amatom.com](mailto:sales@amatom.com)

## PANEL BUSHINGS

### PANEL BUSHINGS

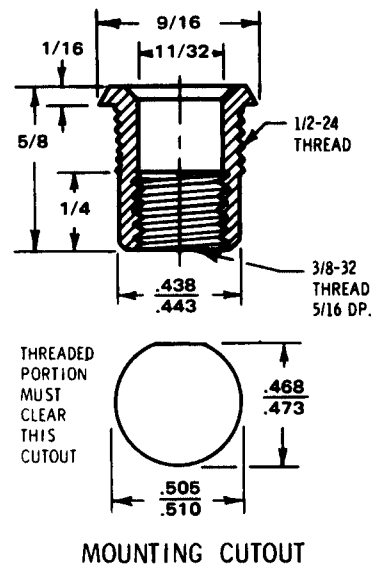
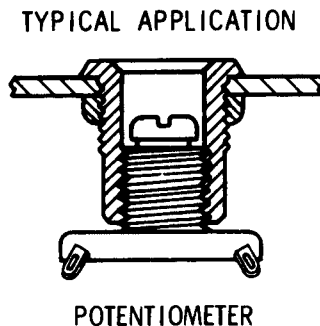
- MATERIAL - BRASS - 1/2 HARD QQ-B-626
- ALUMINUM QQ-A-225
- FINISH - BRASS - NICKEL PLATE
- ALUMINUM - SUPPLIED PLAIN. IF FINISH IS REQUIRED, SEE CHART ON FINISHES IN OTHER SECTIONS OF MANUAL.
- THESE BEARINGS ARE USEFUL IN MOUNTING SHAFTS THROUGH PANELS - SUCH AS CONDENSER SHAFTS, POTENTIOMETER SHAFTS, ETC.
- THESE BUSHINGS ARE DESIGNED TO ACCOMMODATE STANDARD 1/8" - 1/4"
- MAY BE USED WITH INTERNAL TOOTH LOCKWASHERS FOR LOCK FIT.
- FOR INSULATED MOUNTING OF METAL PANEL BUSHINGS, CAN BE SUPPLIED WITH INSULATED FLAT AND SHOULDER WASHERS.



PART NUMBERS		SHAFT SIZE	A	B	C	D	E	THREAD F	NUT
BRASS (B)	ALUM. (A)								
488-B	488-A	1/4	.254	7/16	1/16	1/2	---	3/8-32	499
489-B	489-A	1/4	.254	11/32	1/16	1/2	---	3/8-32	
490-B	490-A	1/4	.254	1/2	1/16	7/16	1/2	3/8-32	
491-B	491-A	1/4	.254	11/16	1/8	1/2	---	3/8-32	
500-B	500-A	1/8	.129	5/16	1/16	3/8	3/8	1/4-32	498
502-B	502-A	1/8	.129	7/16	1/16	3/8	3/8	1/4-32	
504-B	504-A	1/8	.129	9/16	1/16	3/8	3/8	1/4-32	
506-B	506-A	1/4	.254	3/8	1/16	1/2	1/2	3/8-32	499
508-B	508-A	1/4	.254	1/2	1/16	1/2	1/2	3/8-32	
510-B	510-A	1/4	.254	5/8	1/16	1/2	1/2	3/8-32	
512-B	512-A	1/4	.254	3/4	1/16	1/2	1/2	3/8-32	

### PANEL BUSHING - Potentiometer

- PART NO. - 580
- MATERIAL - BRASS QQ-B-626
- FINISH - NICKEL PLATE
- TOLERANCE - DECIMALS  $\pm .005$ , FRACTIONS  $\pm 1/64$
- SUPPLIED WITH 1/2-24 HEX NUT







# AMATOM<sup>®</sup>



**LIGHT AND MEDIUM DUTY PULL DOWN CATCHES  
HOOKED LOOP CATCHES  
HEAVY DUTY PULL DOWN CATCHES  
SPRING HOOK CATCHES  
COMPRESSION SPRING PULL DOWN CATCHES  
HEAVY DUTY HANDLES**

***Call Toll Free***

From anywhere in the USA Call Cromwell, CT **1-800-243-6032**

**AMATOM ELECTRONIC HARDWARE**

5 Pasco Hill Road

Cromwell, CT 06416-1093

860-828-0847

Fax: 860-828-0381

E-Mail: [sales@amatom.com](mailto:sales@amatom.com)

Web Address: <http://www.amatom.com>

**CATCHES & HEAVY DUTY HANDLES**

## CATCHES

Catch part number ordering system .....Page 242

### LIGHT AND MEDIUM DUTY PULL DOWN CATCHES

Series 2000 .....Page 243  
 Series 2010 .....Page 243  
 Series 2040 .....Page 244  
 Series 2210 .....Page 251  
 Series 2215 .....Page 251  
 Series 2230 .....Page 252  
 Series 2240 .....Page 252  
 Series 2245 .....Page 252  
 Series 2270 .....Page 253  
 Series 2275 .....Page 253

### HOOKED LOOP CATCHES

Series 2041 .....Page 245  
 Series 2042 .....Page 245  
 Series 2043 .....Page 246  
 Series 2044 .....Page 246  
 Series 2100 .....Page 250  
 Series 2200 .....Page 250  
 Series 2273 .....Page 254

### HEAVY DUTY PULL DOWN CATCHES

Series 2050 .....Page 247  
 Series 2060 .....Page 248  
 Series 2070 .....Page 248  
 Series 2080 .....Page 249  
 Series 2090 .....Page 249

### SPRING HOOK CATCHES

Series 3600 .....Page 258  
 Series 3700 .....Page 258  
 Series 4000 .....Page 259  
 Series 4010 .....Page 259  
 Series 4040 .....Page 260  
 Series 4050 .....Page 260  
 Series 4100 .....Page 261  
 Series 4150 .....Page 261

## CATCHES (cont.)

### COMPRESSION SPRING PULL DOWN CATCHES

Series 2045	Page 244
Series 2055	Page 247
Series 2250	Page 253
Series 2280	Page 254
Series 3000	Page 255
Series 3400	Page 255
Series 3500	Page 256
Series 3510	Page 256
Series 3520	Page 256
Series 3530	Page 257
Series 3540	Page 257

## HEAVY DUTY HANDLES

Heavy duty handle part number ordering system . . . . .Page 262

### HEAVY DUTY HANDLES

Series 7000	Page 263
Series 8000	Page 264
Series 9000	Page 265

## TOLERANCES

PROCESS	.XXX	.XX	FRACTIONS	ANGLES
FABRICATING	+/- 1/64	+/- 1/64	+/- 1/32	+/- 3°
MACHINING	+/- .005	+/- .010	+/- 1/64	+/- 1°

## CATCH PART NUMBER ORDERING SYSTEM

**X X - XXXX - XX - XX - XXX**

**HOLE SIZE**

**FINISH**

PL PLAIN  
ZN ZINC  
YC YELLOW CHROMATE  
NI NICKEL  
PT PAINT  
BX BLACK OXIDE  
CP CLEAR PASSIVATE  
BP BLACK PASSIVATE  
BR BRASS PLATING  
EP ELECTRO POLISH  
OD OLIVE DRAB  
LQ LACQUERED (FOR BRASS ONLY)  
CA CLEAR ALODINE

**MATERIAL**

CR COLD ROLLED STEEL  
SS STAINLESS STEEL  
BR BRASS  
AL ALUMINUM

**SERIES**

**MOUNTING OPTIONS**

B NO HOLES  
H HOLES  
W WELD PROJECTIONS  
X SPECIAL

C CATCH  
S STRIKE

## SERIES 2000 2010

### FINISH

PL PLAIN  
 ZN ZINC  
 NI NICKEL  
 BX BLACK OXIDE  
 PS PASSIVATE  
 CA CLEAR ALODINE

### MATERIAL

CR COLD ROLLED  
 SS STAINLESS STEEL  
 AL ALUMINUM WITH  
 SS LOOP

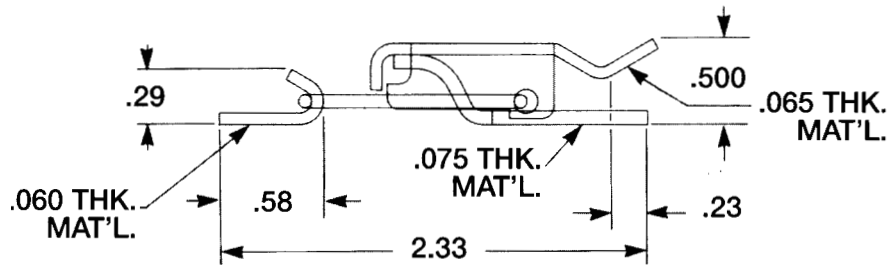
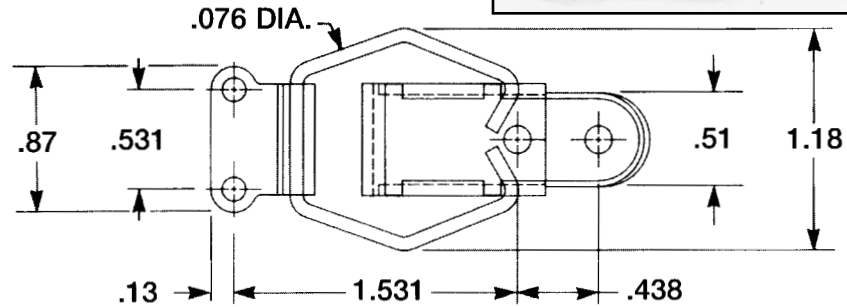
### MOUNTING OPTIONS

B NO HOLES  
 H HOLES

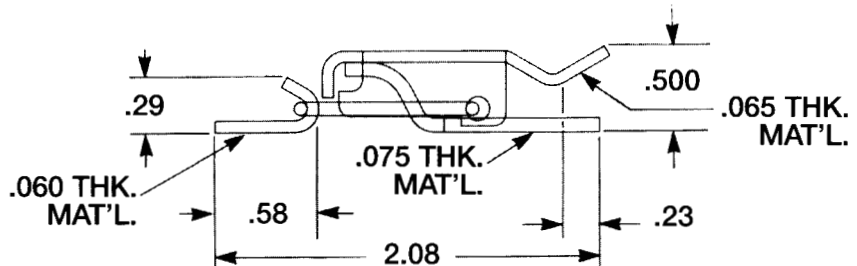
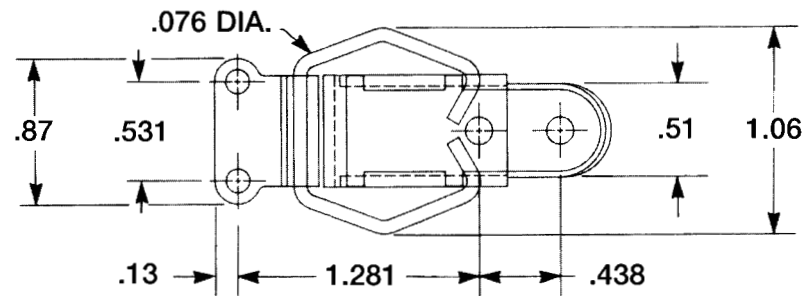
### STANDARD HOLE SIZES

.130 DIA HOLE  
 .144 DIA HOLE  
 .156 DIA HOLE  
 XXX NO HOLE

### SERIES 2000



### SERIES 2010



## SERIES 2040 2045

### FINISH

PL PLAIN  
ZN ZINC  
NI NICKEL  
BX BLACK OXIDE  
PS PASSIVATE  
LQ LACQUERED

### MATERIAL

CR COLD ROLLED  
SS STAINLESS STEEL  
BR BRASS

### MOUNTING OPTIONS

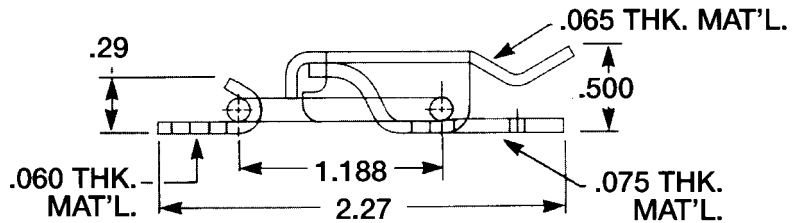
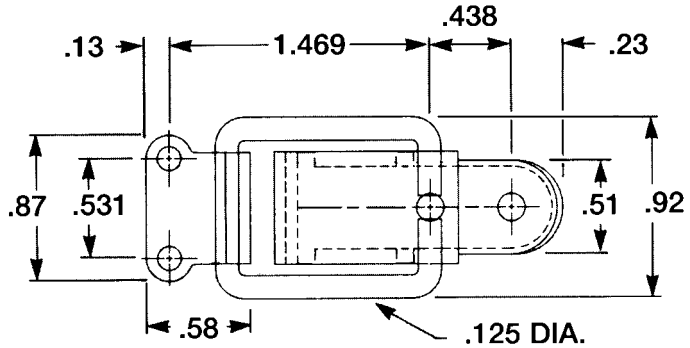
B NO HOLES  
H HOLES

### STANDARD HOLE SIZES

.130 DIA HOLE  
.144 DIA HOLE  
.156 DIA HOLE  
XXX NO HOLE

1. SERIES 2045 PRELOADED TO 30 POUNDS WHEN MOUNTED AS SPECIFIED.
2. TENSION EQUALS 50 LBS. (1/8" DEFLECTION)
3. CONFORMS TO MILITARY SPECIFICATIONS.

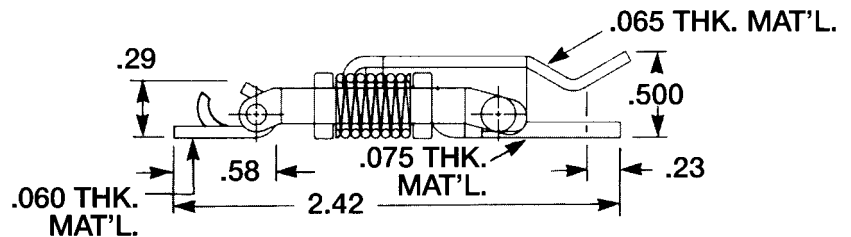
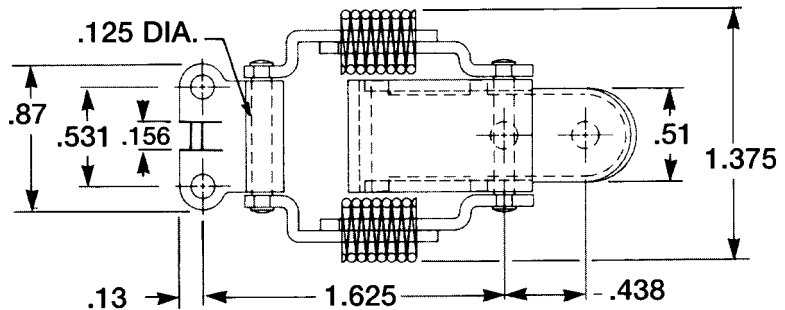
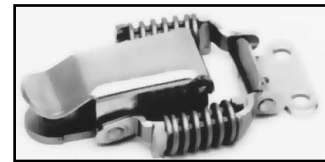
## SERIES 2040



## COMPRESSION SPRING PULL DOWN CATCHES

## SERIES 2045

NOT AVAILABLE  
IN BRASS



5 Pasco Hill Road • Cromwell, CT 06416-1093  
Phone: 860-828-0847 • Call Toll Free: 800-243-6032 • Fax: 860-828-0381  
Web Address: <http://www.amatom.com> • E-Mail: [sales@amatom.com](mailto:sales@amatom.com)

### SERIES 2041 2042

#### FINISH

- PL PLAIN
- ZN ZINC
- NI NICKEL
- PT PAINT
- BX BLACK OXIDE
- PS PASSIVATE

#### MATERIAL

- CR COLD ROLLED
- SS STAINLESS STEEL

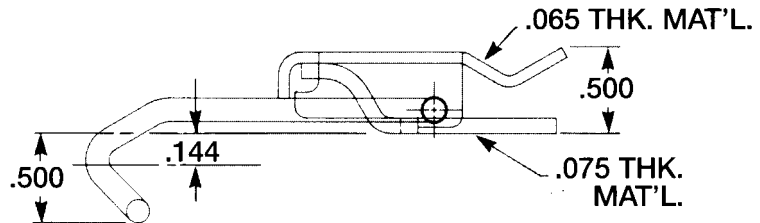
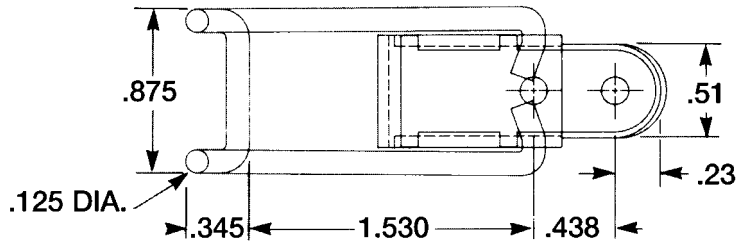
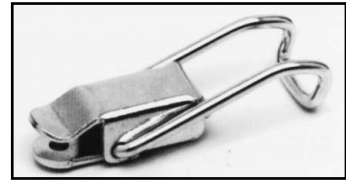
#### MOUNTING OPTIONS

- B NO HOLES
- H HOLES

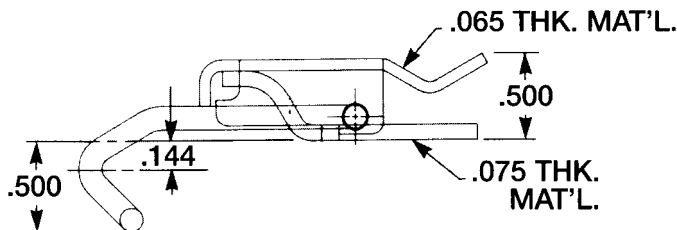
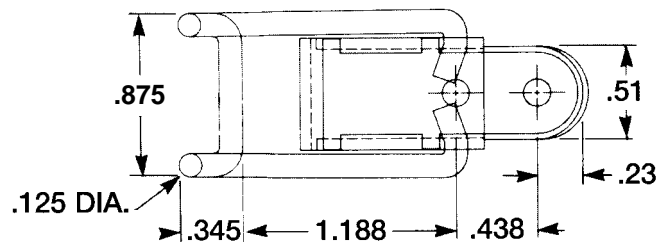
#### STANDARD HOLE SIZES

- .130 DIA HOLE
- .144 DIA HOLE
- .156 DIA HOLE
- XXX NO HOLE

### SERIES 2041



### SERIES 2042



## SERIES 2043 2044

### FINISH

PL PLAIN  
ZN ZINC  
NI NICKEL  
PT PAINT  
BX BLACK OXIDE  
PS PASSIVATE

### MATERIAL

CR COLD ROLLED  
SS STAINLESS STEEL

### MOUNTING OPTIONS

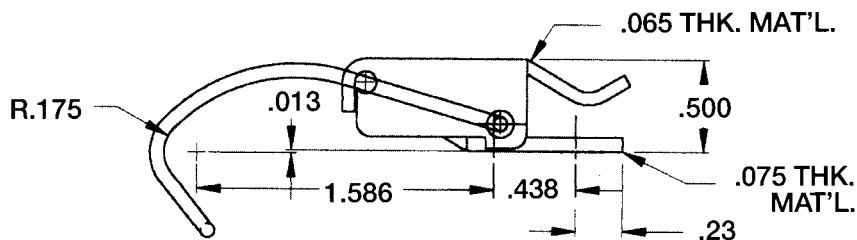
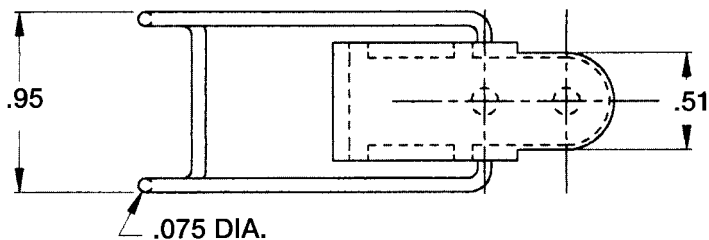
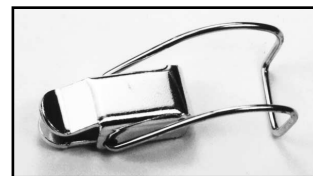
B NO HOLES  
H HOLES

### STANDARD HOLE SIZES

.130 DIA HOLE  
.144 DIA HOLE  
.156 DIA HOLE

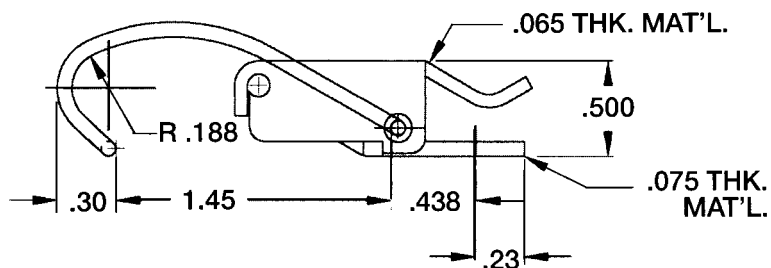
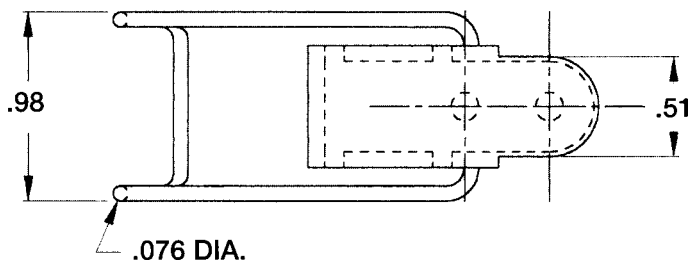
## SERIES 2043

CARBON STEEL WIRE BAIL



## SERIES 2044

STAINLESS STEEL WIRE BAIL





## SERIES 2050 2055

### FINISH

PL PLAIN  
ZN ZINC  
NI NICKEL  
BX BLACK OXIDE  
PS PASSIVATE  
LQ LACQUERED

### MATERIAL

CR COLD ROLLED  
SS STAINLESS STEEL  
BR BRASS

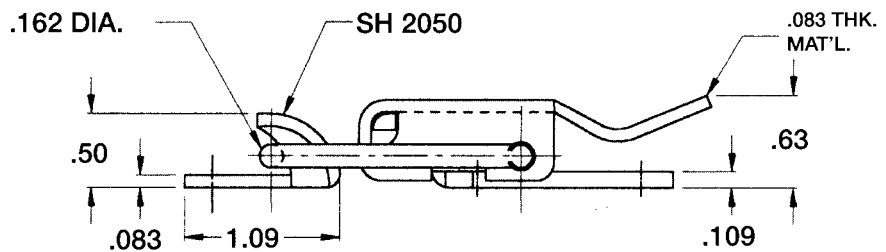
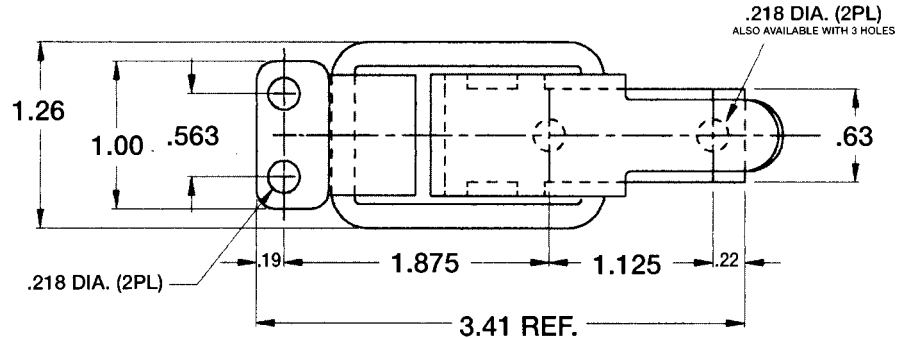
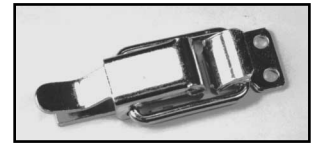
### MOUNTING OPTIONS

B NO HOLES  
H HOLES

### STANDARD HOLE SIZES

.218 DIA HOLE  
XXX NO HOLE

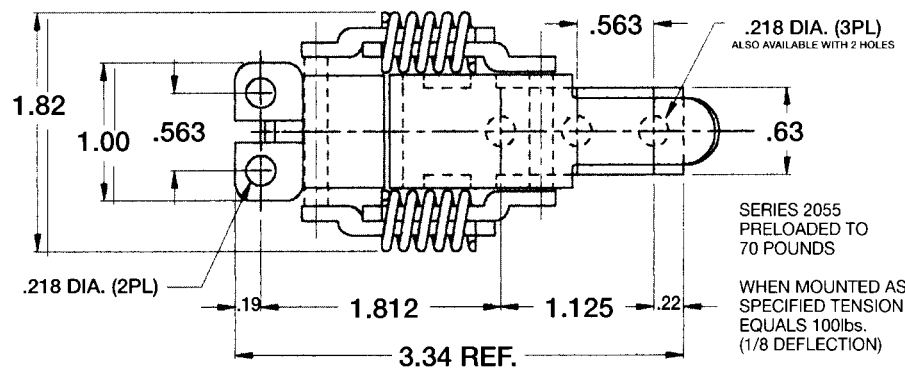
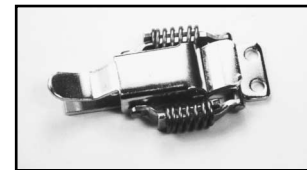
## SERIES 2050



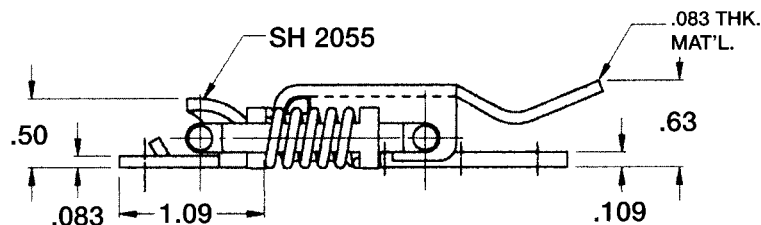
## COMPRESSION SPRING PULL DOWN CATCHES

## SERIES 2055

NOT AVAILABLE IN BRASS



SERIES 2055  
PRELOADED TO  
70 POUNDS  
WHEN MOUNTED AS  
SPECIFIED TENSION  
EQUALS 100lbs.  
(1/8 DEFLECTION)



5 Pasco Hill Road • Cromwell, CT 06416-1093  
Phone: 860-828-0847 • Call Toll Free: 800-243-6032 • Fax: 860-828-0381  
Web Address: <http://www.amatom.com> • E-Mail: [sales@amatom.com](mailto:sales@amatom.com)

**SERIES  
2060  
2070**

**FINISH**

- PL PLAIN
- ZN ZINC
- NI NICKEL
- BX BLACK OXIDE
- PS PASSIVATE
- LQ LACQUERED

**MATERIAL**

- CR COLD ROLLED
- SS STAINLESS STEEL
- BR BRASS

**MOUNTING OPTIONS**

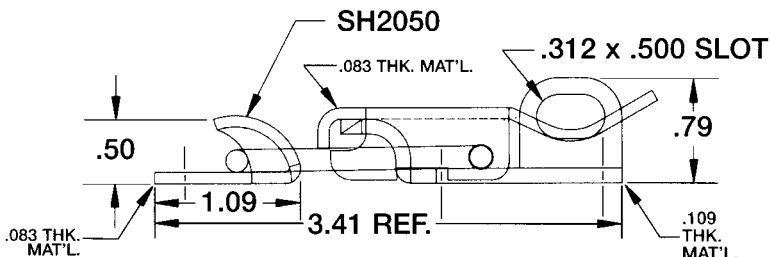
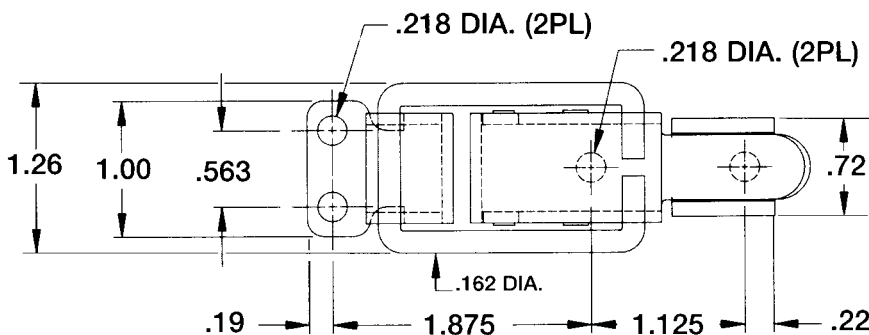
- B NO HOLES
- H HOLES

**STANDARD HOLE SIZES**

- .218 DIA HOLE
- XXX NO HOLE

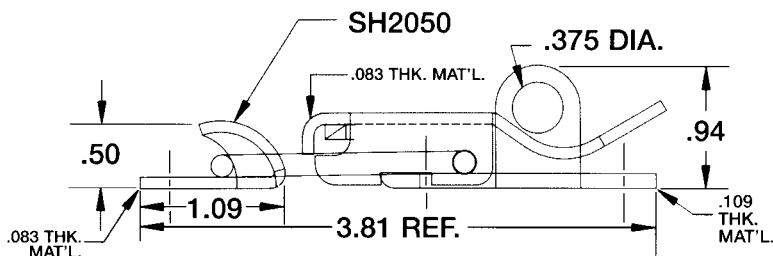
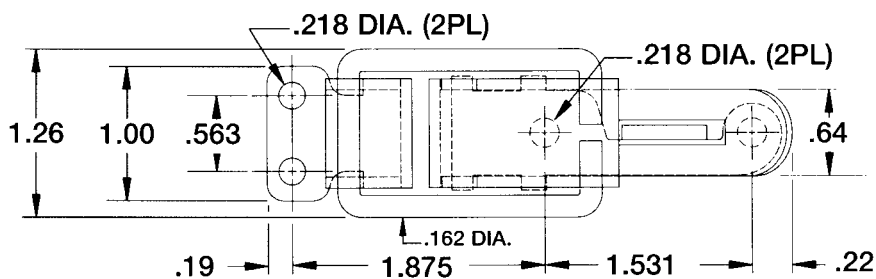
**SERIES 2060**

ALSO AVAILABLE WITH  
COMPRESSION SPRINGS  
ORDER **2065**



**SERIES 2070**

ALSO AVAILABLE WITH  
COMPRESSION SPRINGS  
ORDER **2075**



5 Pasco Hill Road • Cromwell, CT 06416-1093  
 Phone: 860-828-0847 • Call Toll Free: 800-243-6032 • Fax: 860-828-0381  
 Web Address: <http://www.amatom.com> • E-Mail: [sales@amatom.com](mailto:sales@amatom.com)

CATCHES

## SERIES 2080 2090

### FINISH

- PL PLAIN
- ZN ZINC
- NI NICKEL
- BX BLACK OXIDE
- PS PASSIVATE
- LQ LACQUERED

### MATERIAL

- CR COLD ROLLED
- SS STAINLESS STEEL
- BR BRASS

### MOUNTING OPTIONS

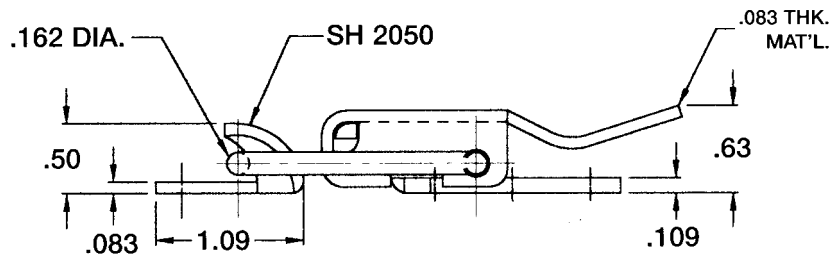
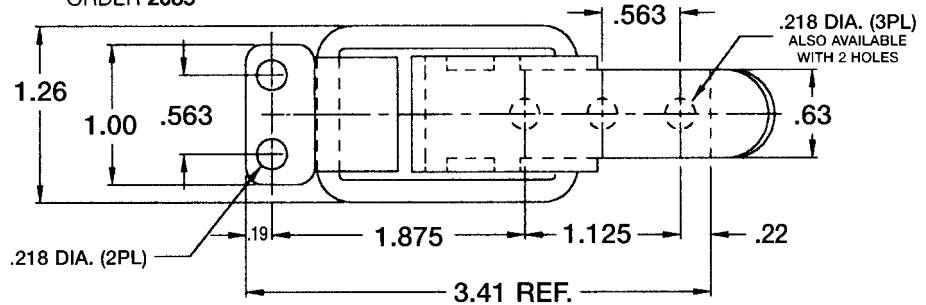
- B NO HOLES
- H HOLES

### STANDARD HOLE SIZES

- .218 DIA HOLE
- XXX NO HOLE

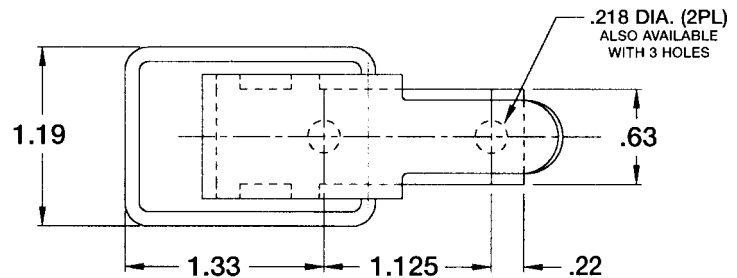
## SERIES 2080

ALSO AVAILABLE WITH  
COMPRESSION SPRINGS  
ORDER 2085

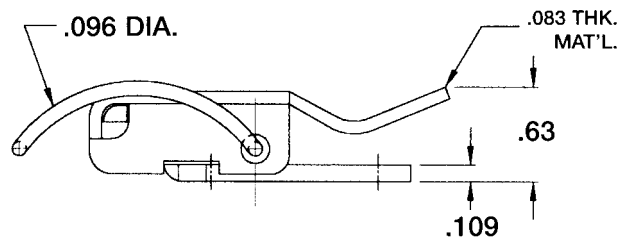


## SERIES 2090

NOT AVAILABLE IN BRASS



CAN BE USED  
WITH OPTIONAL  
2050 STRIKE



5 Pasco Hill Road • Cromwell, CT 06416-1093  
Phone: 860-828-0847 • Call Toll Free: 800-243-6032 • Fax: 860-828-0381  
Web Address: <http://www.amatom.com> • E-Mail: [sales@amatom.com](mailto:sales@amatom.com)

## SERIES 2100 2200

### FINISH

- PL PLAIN
- ZN ZINC
- NI NICKEL
- BX BLACK OXIDE
- PS PASSIVATE

### MATERIAL

- CR COLD ROLLED
- SS STAINLESS STEEL

### MOUNTING OPTIONS

- B NO HOLES
- H HOLES

### SERIES 2100

#### STANDARD HOLE SIZES

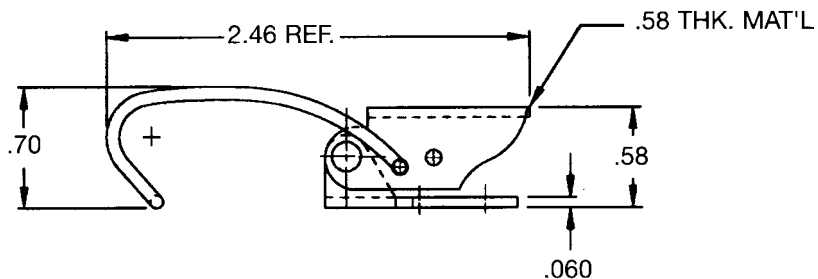
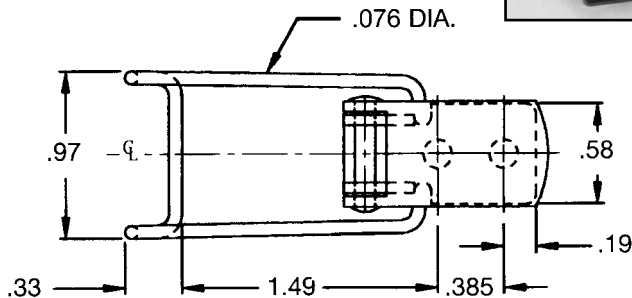
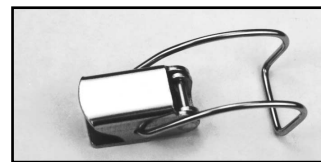
- .144 DIA HOLE
- .166 DIA HOLE
- XXX NO HOLE

### SERIES 2200

#### STANDARD HOLE SIZES

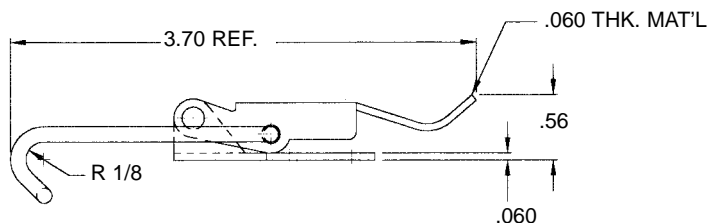
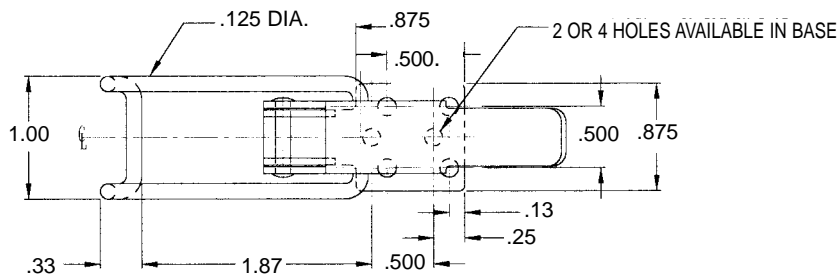
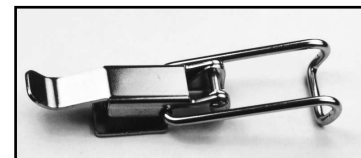
- .144 DIA HOLE
- XXX NO HOLE

### SERIES 2100



### SERIES 2200

ADD QUANTITY OF HOLES  
REQUIRED IN BASE AT END OF P/N



## SERIES 2210 2215

### FINISH

PL PLAIN  
ZN ZINC  
NI NICKEL  
BX BLACK OXIDE  
PS PASSIVATE

### MATERIAL

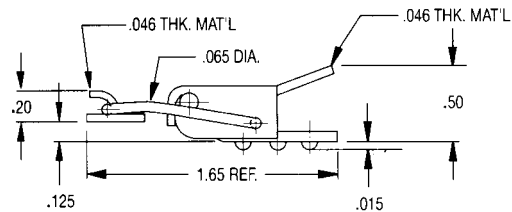
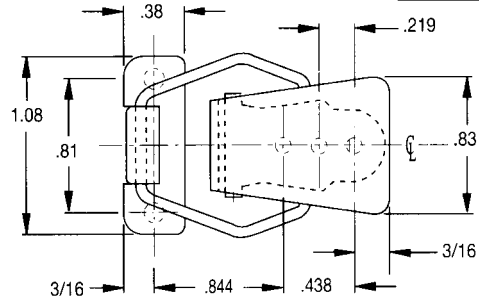
CR COLD ROLLED  
SS STAINLESS STEEL

### MOUNTING OPTIONS

B NO HOLES  
W WELD PROJECTIONS

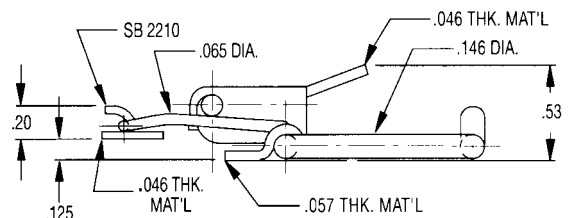
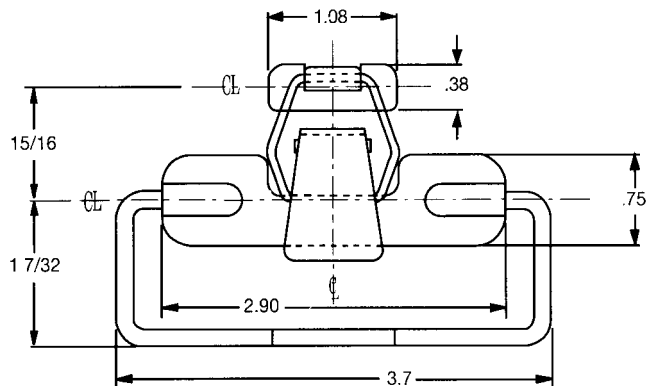
### SERIES 2210

AVAILABLE WITH  
OPTIONAL LOOP ORDER  
2211 (.075" DIA. & .055" SHORTER)



### SERIES 2215

AVAILABLE WITH OPTIONAL  
LOOPS ORDER  
2216 (.060" LONGER)  
2217 (.150" LONGER)  
(NOT AVAILABLE IN SS)



5 Pasco Hill Road • Cromwell, CT 06416-1093  
Phone: 860-828-0847 • Call Toll Free: 800-243-6032 • Fax: 860-828-0381  
Web Address: <http://www.amatom.com> • E-Mail: [sales@amatom.com](mailto:sales@amatom.com)

# AMATOM®

## SERIES 2230 2240 2245

### FINISH

- PL PLAIN
- ZN ZINC
- NI NICKEL
- BX BLACK OXIDE
- PS PASSIVATE
- LQ LACQUERED
- CA CLEAR ANODIZE

### MATERIAL

- CR COLD ROLLED
- SS STAINLESS STEEL
- BR BRASS

### MOUNTING OPTIONS

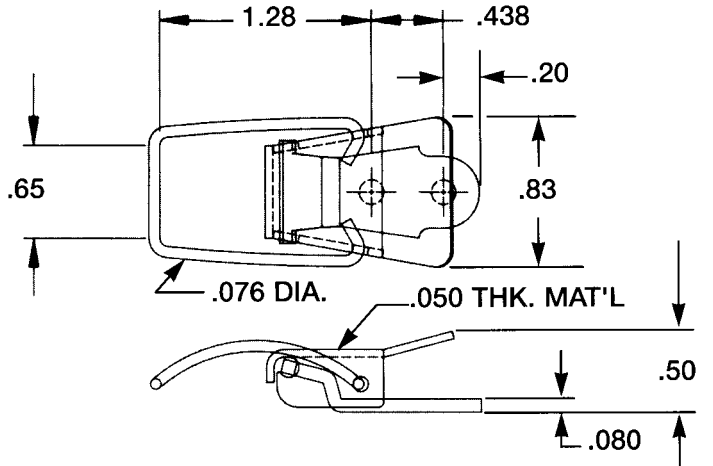
- B NO HOLES
- H HOLES

### STANDARD HOLE SIZES

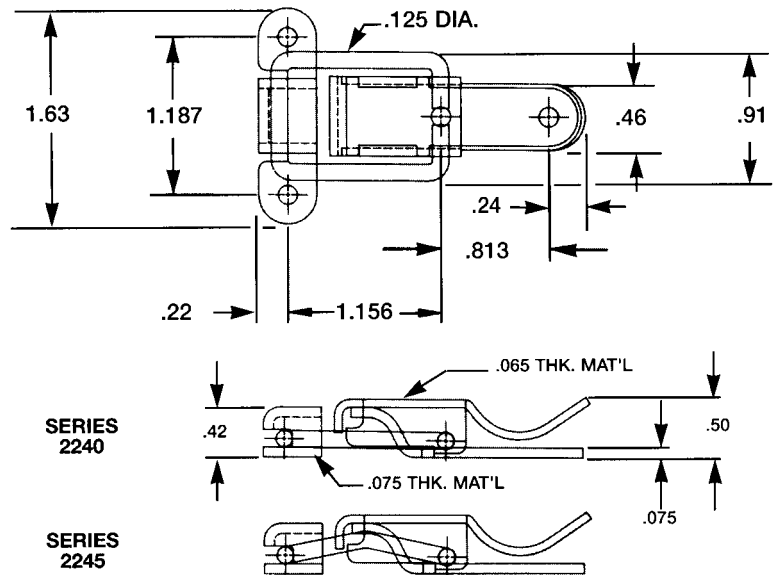
- .130 DIA HOLE
- .144 DIA HOLE
- XXX NO HOLE

## SERIES 2230

AVAILABLE ONLY WITH ALUMINUM BODY AND STAINLESS STEEL BAIL



## SERIES 2240 and 2245



5 Pasco Hill Road • Cromwell, CT 06416-1093  
 Phone: 860-828-0847 • Call Toll Free: 800-243-6032 • Fax: 860-828-0381  
 Web Address: <http://www.amatom.com> • E-Mail: [sales@amatom.com](mailto:sales@amatom.com)

CATCHES



**SERIES**  
**2250**  
**2270**  
**2275**

**FINISH**

- PL PLAIN
- ZN ZINC
- NI NICKEL
- BX BLACK OXIDE
- PS PASSIVATE
- LQ LACQUERED

**MATERIAL**

- CR COLD ROLLED
- SS STAINLESS STEEL
- BR BRASS

**MOUNTING OPTIONS**

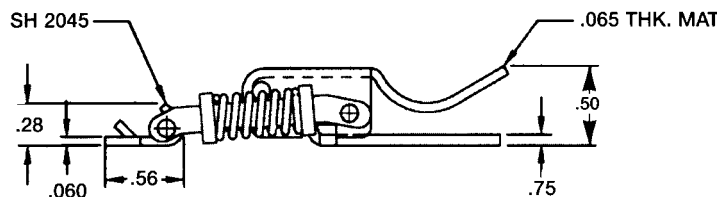
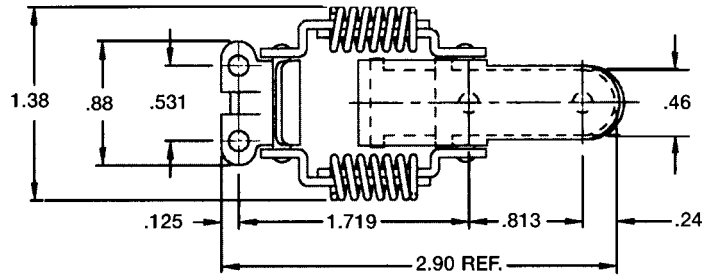
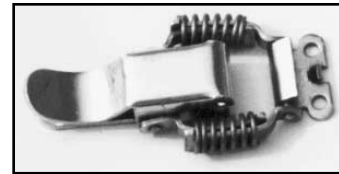
- B NO HOLES
- H HOLES

**STANDARD HOLE SIZES**

- .130 DIA HOLE
- .144 DIA HOLE
- XXX NO HOLE

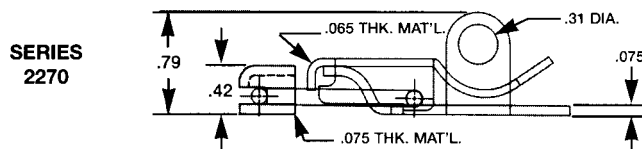
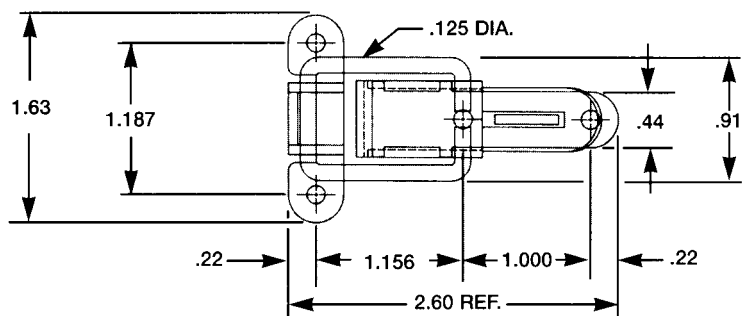
**SERIES 2250**

(NOT AVAILABLE IN BRASS)  
PRELOADED TO 30 LBS.  
WHEN MOUNTED AS SPECIFIED  
TENSION EQUALS 50 LBS. (1/8" DEFLECTION)

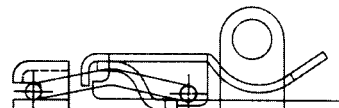


**LIGHT & MEDIUM DUTY PULL DOWN CATCHES**

**SERIES 2270 and 2275**



SERIES 2275



5 Pasco Hill Road • Cromwell, CT 06416-1093  
Phone: 860-828-0847 • Call Toll Free: 800-243-6032 • Fax: 860-828-0381  
Web Address: <http://www.amatom.com> • E-Mail: [sales@amatom.com](mailto:sales@amatom.com)

## SERIES 2273 2280

### FINISH

PL PLAIN  
ZN ZINC  
NI NICKEL  
BX BLACK OXIDE  
PS PASSIVATE

### MATERIAL

CR COLD ROLLED  
SS STAINLESS STEEL

### MOUNTING OPTIONS

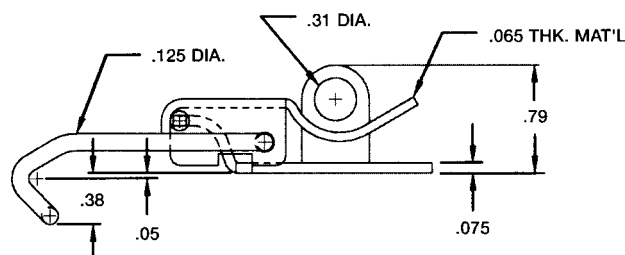
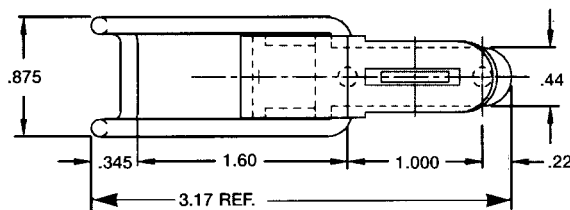
B NO HOLES  
H HOLES

### STANDARD HOLE SIZES

.130 DIA HOLE  
.144 DIA HOLE  
XXX NO HOLE

## SERIES 2273

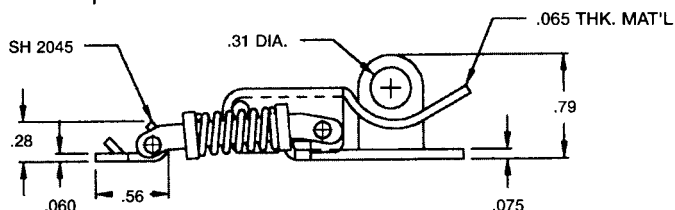
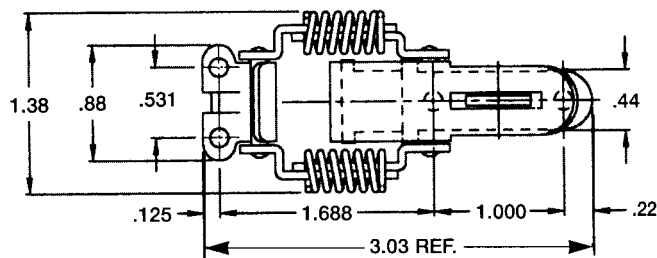
AVAILABLE WITH OPTIONAL  
LOOPS



## COMPRESSION SPRING PULL DOWN CATCHES

## SERIES 2280

PRELOADED TO 30 LBS.  
WHEN MOUNTED AS SPECIFIED  
TENSION EQUALS 50 LBS. (1/8"  
DEFLECTION)



5 Pasco Hill Road • Cromwell, CT 06416-1093  
Phone: 860-828-0847 • Call Toll Free: 800-243-6032 • Fax: 860-828-0381  
Web Address: <http://www.amatom.com> • E-Mail: [sales@amatom.com](mailto:sales@amatom.com)



## SERIES 3000 3400

### FINISH

- PL PLAIN
- ZN ZINC
- NI NICKEL
- BX BLACK OXIDE
- PS PASSIVATE
- LQ LACQUERED
- OD OLIVE DRAB
- YC YELLOW CHROMATE

### MATERIAL

- CR COLD ROLLED
- SS STAINLESS STEEL

### MOUNTING OPTIONS

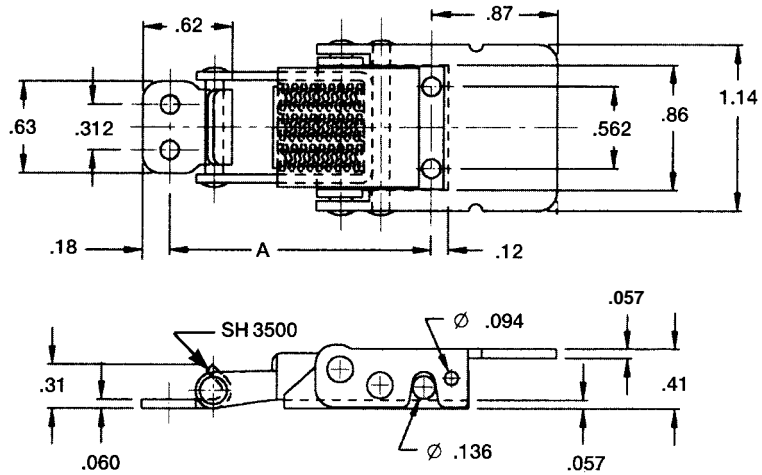
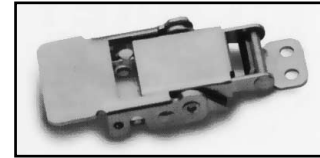
- B NO HOLES
- H HOLES

SERIES 3000	
STANDARD HOLE SIZES	
.130 DIA HOLE	
.144 DIA HOLE	
XXX NO HOLE	
DIMENSION A	LBS.
1.812	30
1.875	50
1.937	70

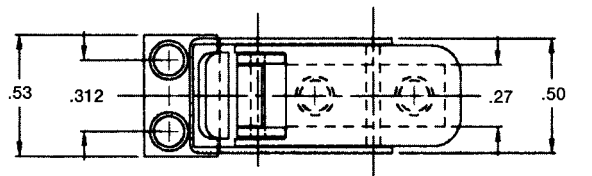
SERIES 3400	
STANDARD HOLE SIZES	
.130 DIA HOLE	
CSK #2 COUNTER SINK	
XXX NO HOLE	

## SERIES 3000

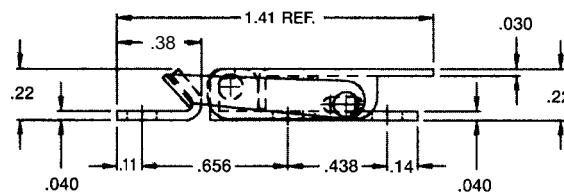
AVAILABLE WITH LARGER  
OPTIONAL STRIKE  
ORDER SH 3501



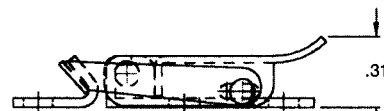
## SERIES 3400



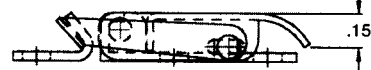
## SERIES 3400



## SERIES 3410



## SERIES 3420



## SERIES 3500

### FINISH

- PL PLAIN
- ZN ZINC
- NI NICKEL
- BX BLACK OXIDE
- PS PASSIVATE
- LQ LACQUERED
- OD OLIVE DRAB
- YC YELLOW CHROMATE

### MATERIAL

- CR COLD ROLLED
- SS STAINLESS STEEL

### MOUNTING OPTIONS

- B NO HOLES
- H HOLES

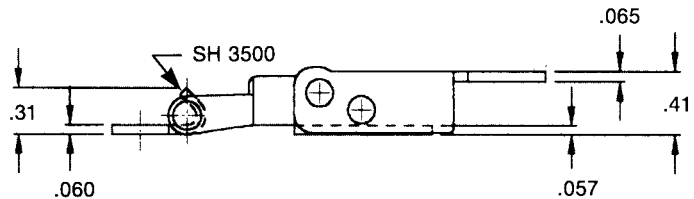
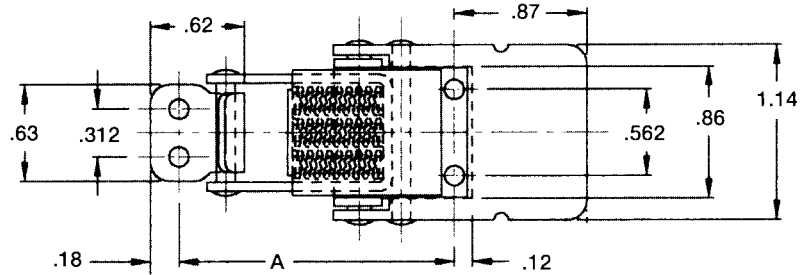
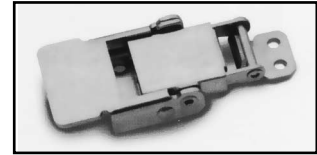
#### STANDARD HOLE SIZES

- .130 DIA HOLE
- .144 DIA HOLE
- XXX NO HOLE

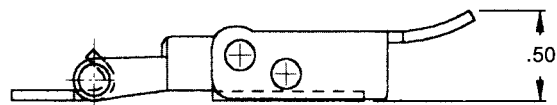
DIMENSION A	LBS.
1.812	30
1.875	50
1.937	70

## SERIES 3500

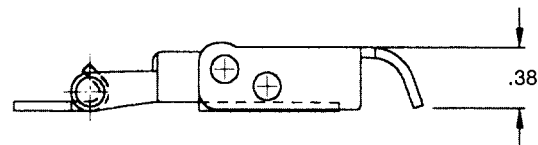
ALSO AVAILABLE WITH LIGHTER TENSION SPRINGS  
**ORDER 3501, 3511 & 3521**  
 LARGER OPTIONAL STRIKE AVAILABLE **SH 3501**



## SERIES 3510



## SERIES 3520



CATCHES

## SERIES 3530 3540

### FINISH

- PL PLAIN
- ZN ZINC
- NI NICKEL
- BX BLACK OXIDE
- PS PASSIVATE
- LQ LACQUERED
- OD OLIVE DRAB
- YC YELLOW CHROMATE

### MATERIAL

- CR COLD ROLLED
- SS STAINLESS STEEL

### MOUNTING OPTIONS

- B NO HOLES
- H HOLES

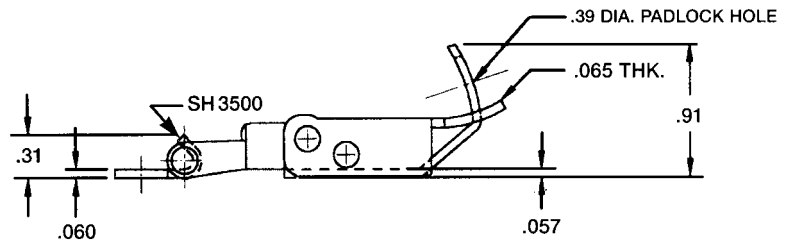
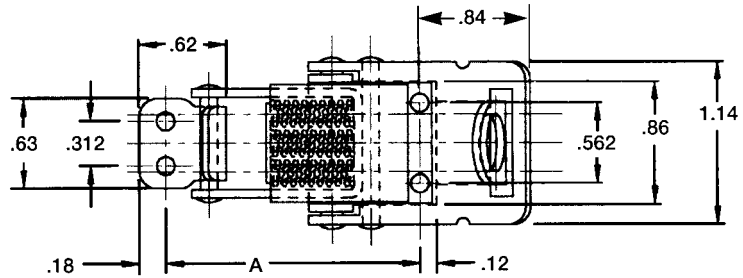
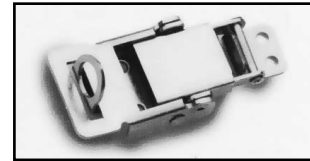
### STANDARD HOLE SIZES

- .130 DIA HOLE
- .144 DIA HOLE
- XXX NO HOLE

DIMENSION A	LBS.
1.812	30
1.875	50
1.937	70

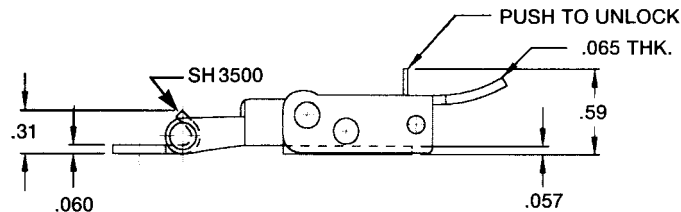
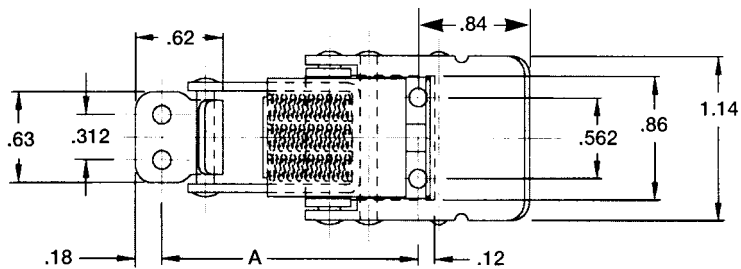
## SERIES 3530

AVAILABLE WITH LARGER  
OPTIONAL STRIKE ORDER  
SH 3501



## SERIES 3540

WITH SECURITY LOCK FEATURE  
AVAILABLE WITH LARGER  
OPTIONAL STRIKE  
ORDER SH 3501



## SERIES 3600 3700

### FINISH

PL	PLAIN
ZN	ZINC
NI	NICKEL
BX	BLACK OXIDE
PS	PASSIVATE
LQ	LACQUERED
OD	OLIVE DRAB
YC	YELLOW CHROMATE

### MATERIAL

CR	COLD ROLLED
SS	STAINLESS STEEL

### MOUNTING OPTIONS

B	NO HOLES
H	HOLES

### SERIES 3600

#### STANDARD HOLE SIZES

.130 DIA HOLE  
.144 DIA HOLE  
XXX NO HOLE

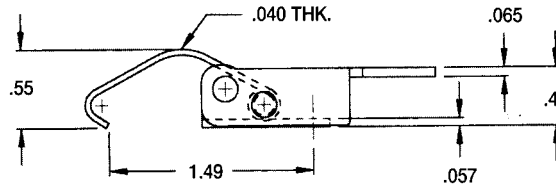
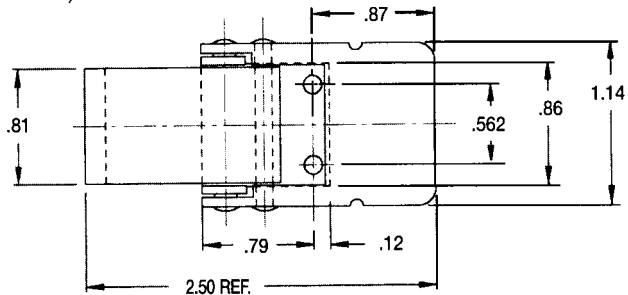
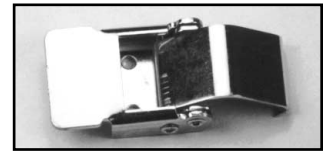
### SERIES 3700

#### STANDARD HOLE SIZES

.135 DIA HOLE  
XXX NO HOLE

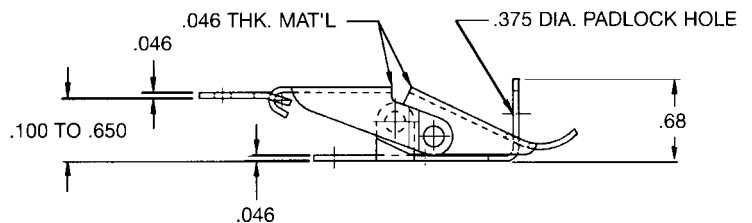
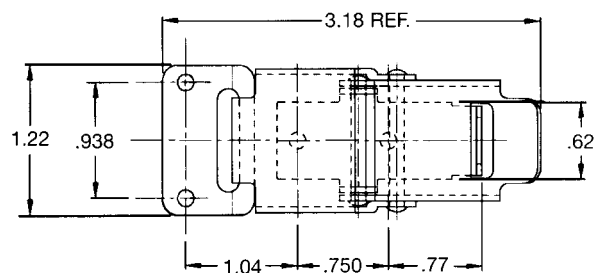
## SERIES 3600

ALSO AVAILABLE AS:  
UP-TURN LEVER **3610**  
DOWN-TURN LEVER **3620**  
PADLOCK HOLE **3630**  
LOCKING LEVER **3640**  
(SEE SERIES 3500)



## SERIES 3700

AVAILABLE IN 316  
STAINLESS STEEL



5 Pasco Hill Road • Cromwell, CT 06416-1093  
Phone: 860-828-0847 • Call Toll Free: 800-243-6032 • Fax: 860-828-0381  
Web Address: <http://www.amatom.com> • E-Mail: [sales@amatom.com](mailto:sales@amatom.com)

### SERIES 4000 4010

#### FINISH

- PL PLAIN
- ZN ZINC
- NI NICKEL
- BX BLACK OXIDE
- PS PASSIVATE
- LQ LACQUERED

#### MATERIAL

- CR COLD ROLLED
- SS STAINLESS STEEL

#### MOUNTING OPTIONS

- B NO HOLES
- H HOLES

#### SERIES 4000

##### STANDARD HOLE SIZES

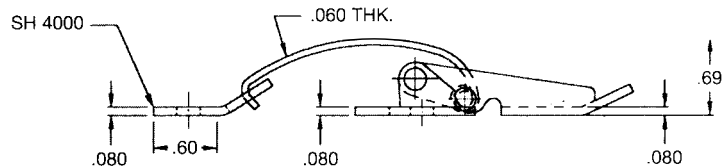
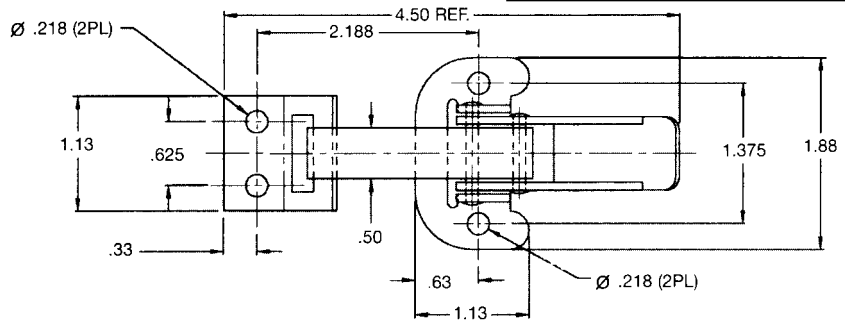
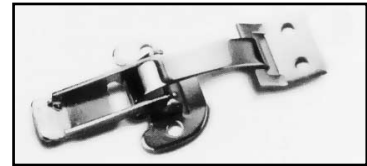
.218 DIA HOLE  
XXX NO HOLE

#### NOTE:

ADD (1) TO SERIES NUMBER  
FOR HOOK WITH VINYL TIP.  
(REF. 4000 WOULD BE 4001)

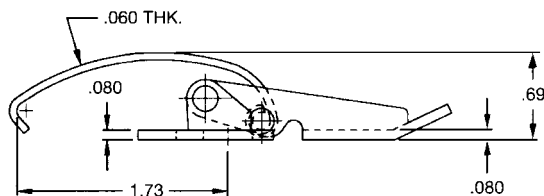
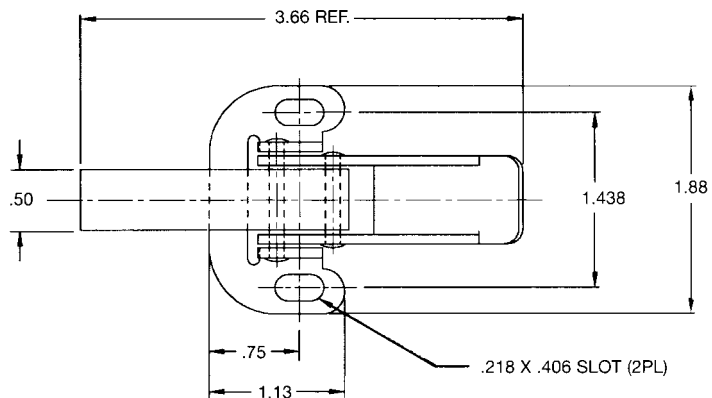
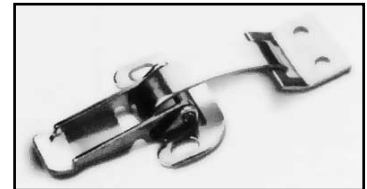
### SERIES 4000

AVAILABLE WITH OPTIONAL  
6.00" RADIUS BASE  
ORDER 4020



### SERIES 4010

AVAILABLE WITH OPTION,  
6.00" RADIUS BASE  
ORDER 4030



## SERIES 4040 4050

### FINISH

PL	PLAIN
ZN	ZINC
NI	NICKEL
BX	BLACK OXIDE
PS	PASSIVATE
LQ	LACQUERED

### MATERIAL

CR	COLD ROLLED
SS	STAINLESS STEEL

### MOUNTING OPTIONS

B	NO HOLES
H	HOLES

### STANDARD HOLE SIZES

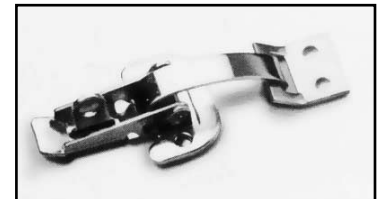
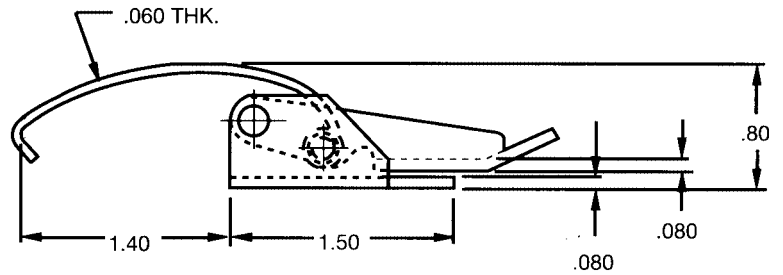
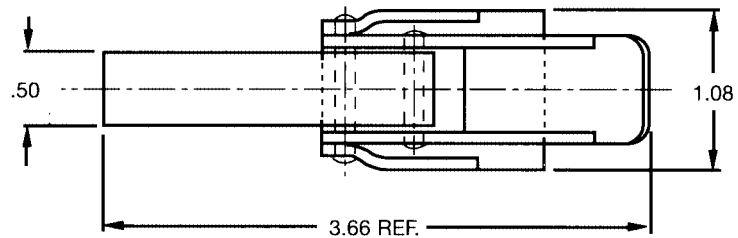
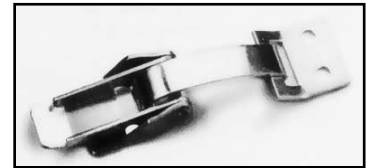
.218 DIA HOLE  
XXX NO HOLE

### NOTE:

ADD (1) TO SERIES NUMBER  
FOR HOOK WITH VINYL TIP.  
(REF. 4040 WOULD BE 4041)

## SERIES 4040

NARROW BASE



## SERIES 4050

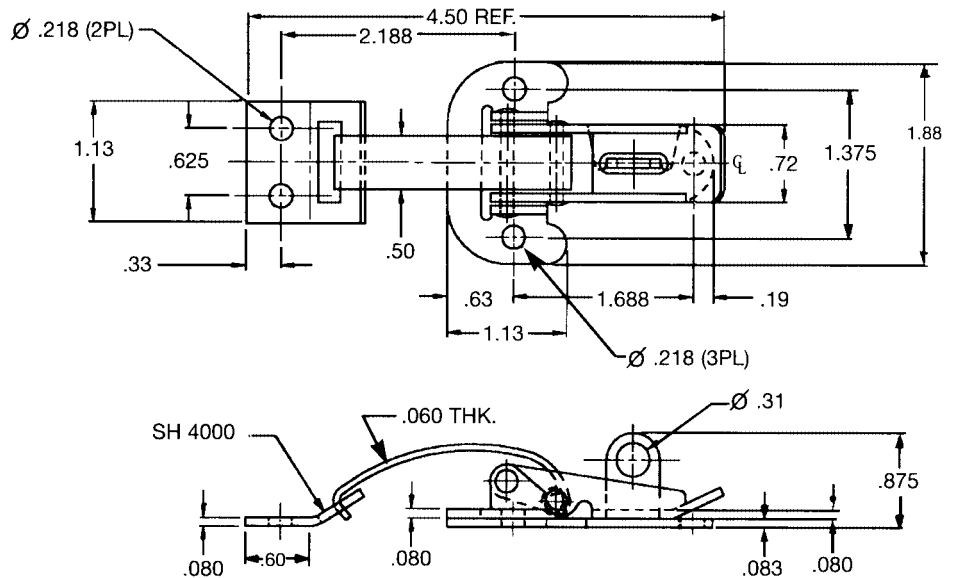
PADLOCK EYE BASE

CONSISTS OF

**CH 4050 CATCH**

**BH 4050 BASE**

MUST BE ORDERED SEPARATELY



5 Pasco Hill Road • Cromwell, CT 06416-1093

Phone: 860-828-0847 • Call Toll Free: 800-243-6032 • Fax: 860-828-0381

Web Address: <http://www.amatom.com> • E-Mail: [sales@amatom.com](mailto:sales@amatom.com)

### SERIES 4100 4150

#### FINISH

- PL PLAIN
- ZN ZINC
- NI NICKEL
- BX BLACK OXIDE
- PS PASSIVATE
- LQ LACQUERED

#### MATERIAL

- CR COLD ROLLED
- SS STAINLESS STEEL

#### MOUNTING OPTIONS

- B NO HOLES
- H HOLES

#### STANDARD HOLE SIZES

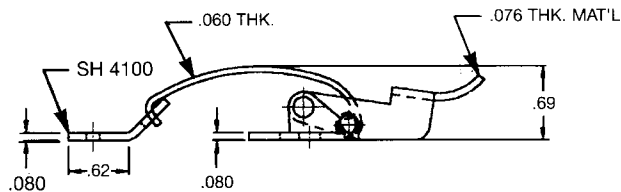
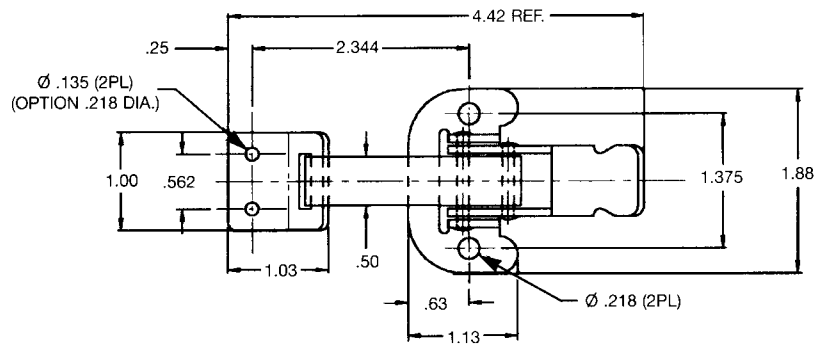
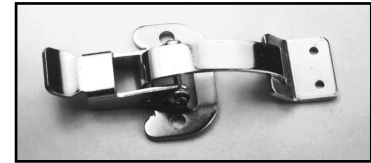
.218 DIA HOLE  
XXX NO HOLE

#### NOTE:

ADD (1) TO SERIES NUMBER  
FOR HOOK WITH VINYL TIP.  
(REF. 4100 WOULD BE 4101)

### SERIES 4100

AVAILABLE WITH OPTIONAL  
BASE ORDER  
4110 STANDARD BASE - SLOTTED  
4120 RADIUS BASE - HOLES  
4130 RADIUS BASE - SLOTTED  
4140 NARROW BASE  
(SEE SERIES 4000)

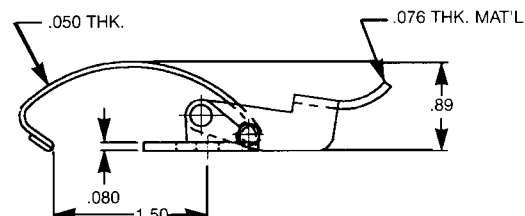
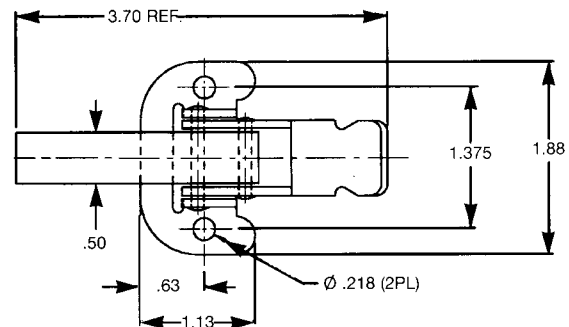


### SERIES 4150

LARGER HOOK  
AVAILABLE WITH OPTIONAL  
BASE ORDER  
4160 STANDARD BASE - SLOTTED  
4170 RADIUS BASE - HOLES  
4180 RADIUS BASE - SLOTTED  
4190 NARROW BASE  
(SEE SERIES 4000)

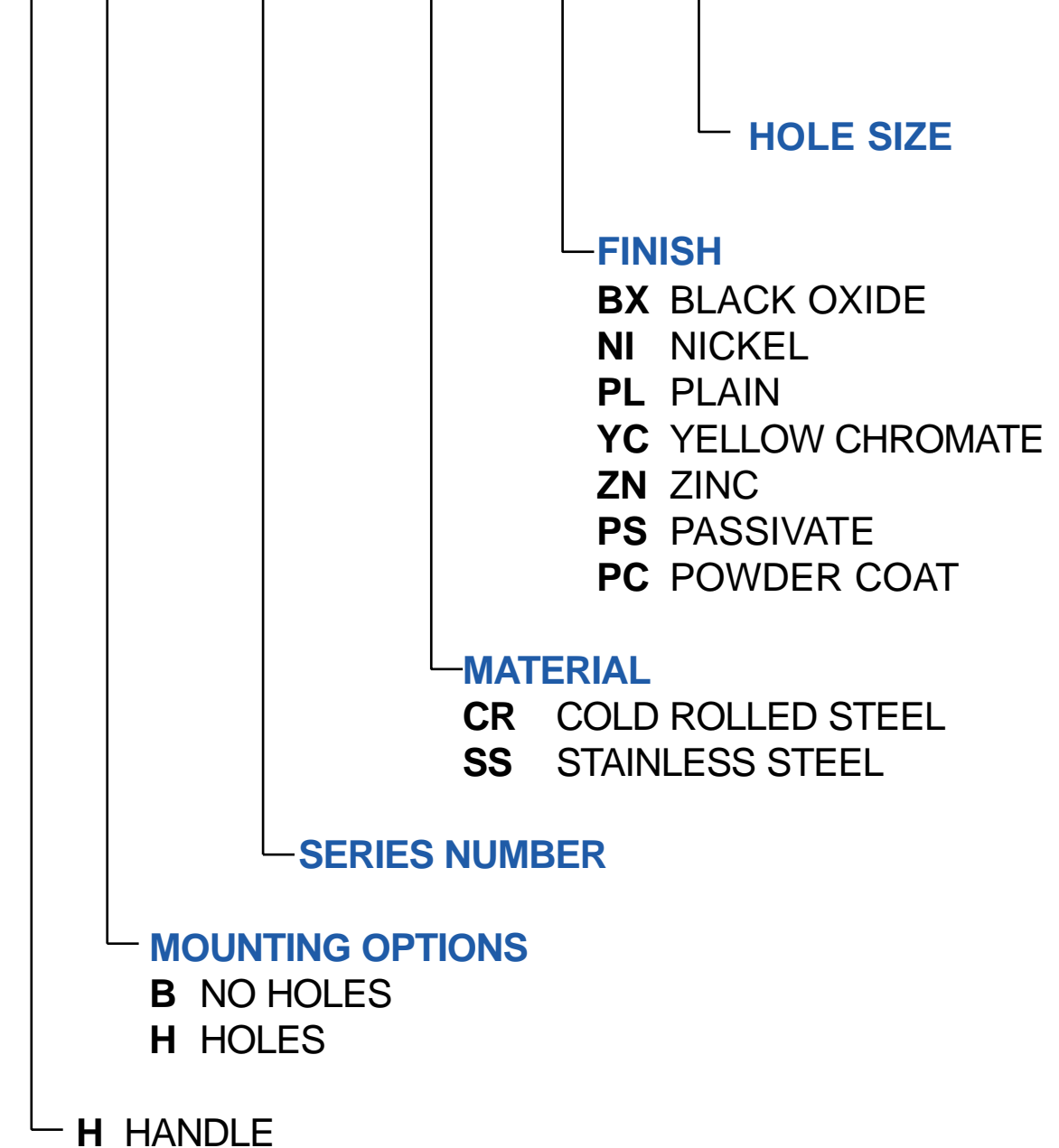


PHOTO SHOWN WITH VINYL TIP SERIES 4151



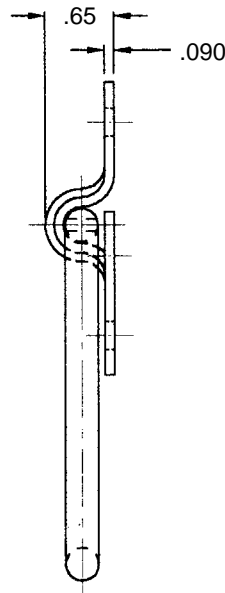
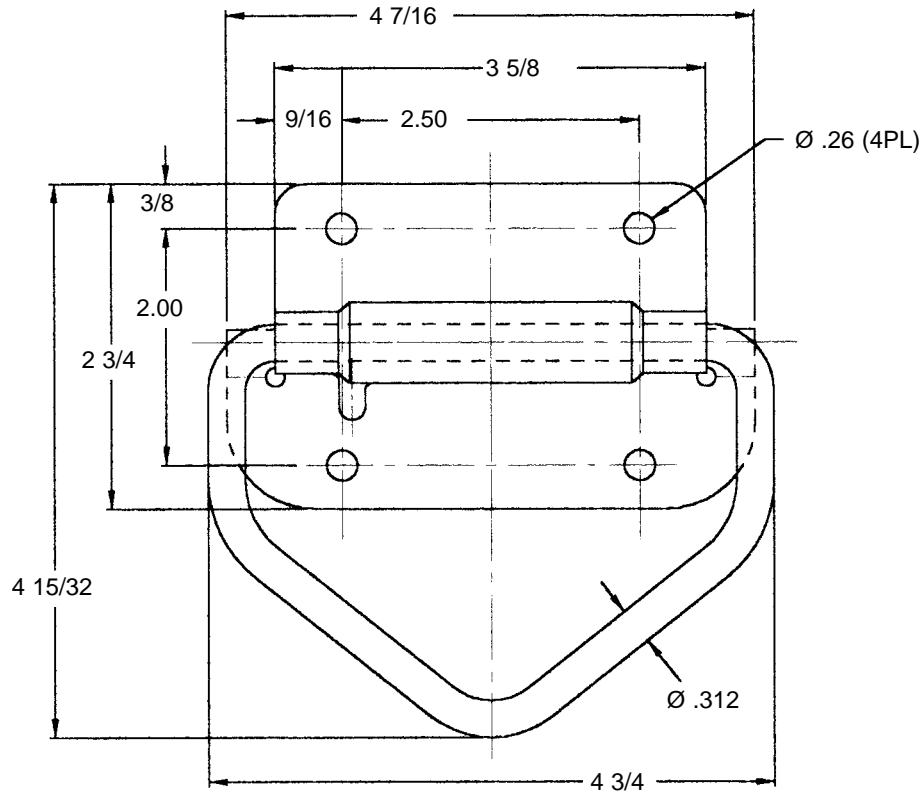
## HEAVY DUTY HANDLE PART NUMBER ORDERING SYSTEM

**X X - XXXX - XX - XX - XXX**





### SERIES 7000 LIFTING GRIP HEAVY DUTY HANDLES



**TOLERANCES:**

**FRACTIONS:**  $\pm .031$

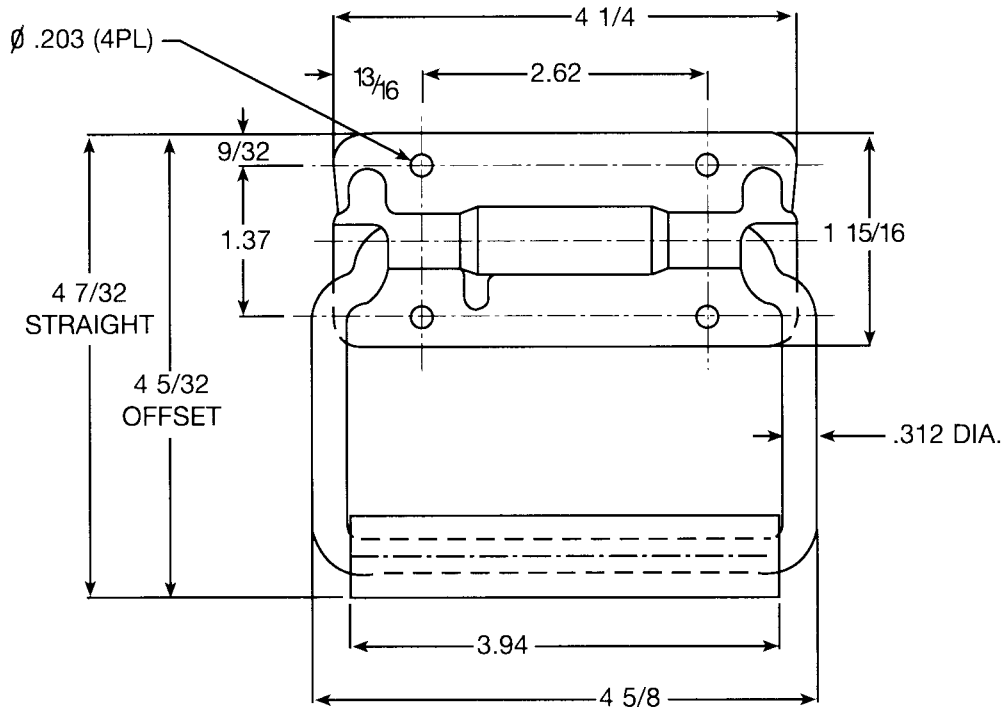
**DECIMALS:**  $.XX \pm .015$

$.XXX \pm .005$

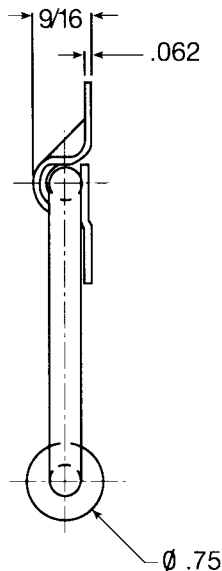
**ANGLES:**  $\pm 3$  DEG.

5 Pasco Hill Road • Cromwell, CT 06416-1093  
 Phone: 860-828-0847 • Call Toll Free: 800-243-6032 • Fax: 860-828-0381  
 Web Address: <http://www.amatom.com> • E-Mail: [sales@amatom.com](mailto:sales@amatom.com)

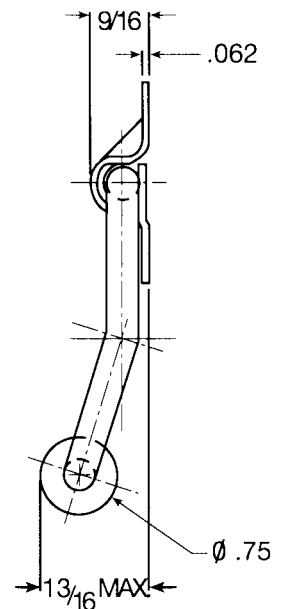
### SERIES 8000 STRAIGHT & OFFSET HEAVY DUTY HANDLES



#### SERIES 8000 STRAIGHT



#### SERIES 8010 OFFSET

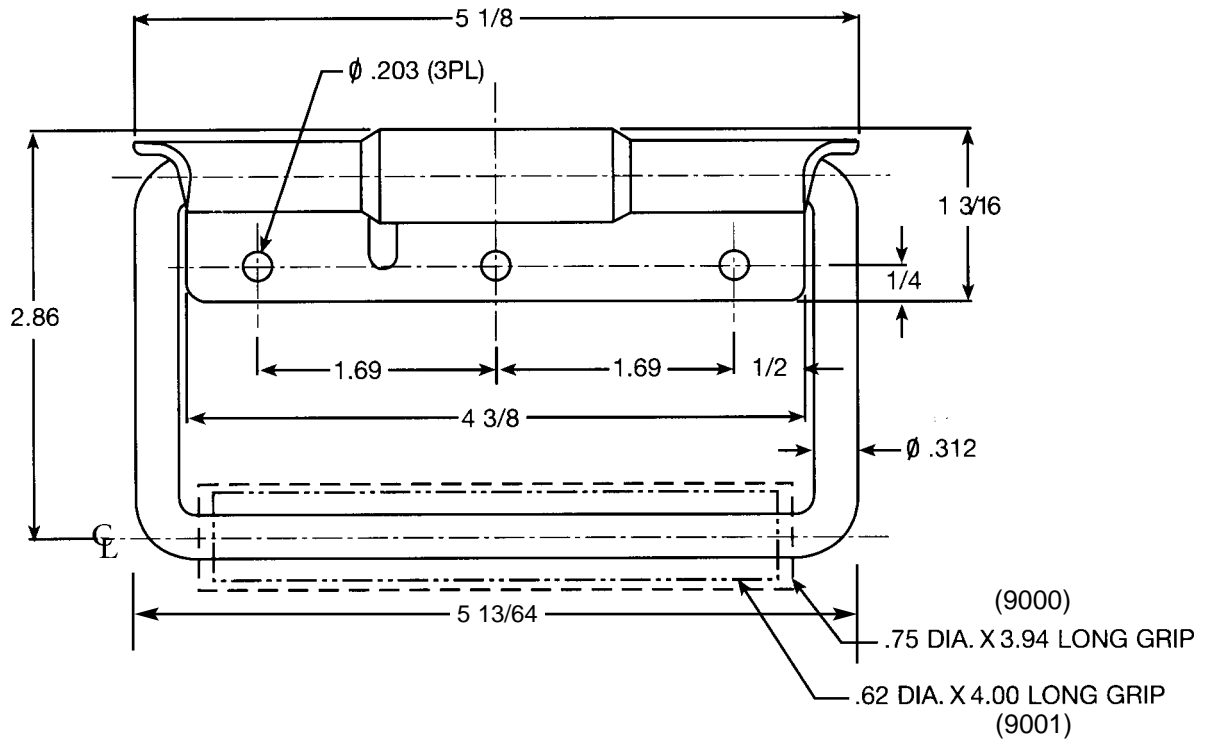


TOLERANCES:	
FRACTIONS:	+/- .031
DECIMALS:	.XX +/- .015
	.XXX +/- .005
ANGLES:	+/- 3 DEG.

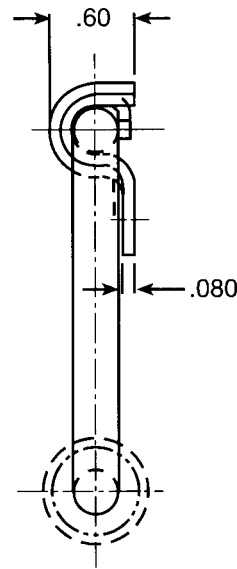
5 Pasco Hill Road • Cromwell, CT 06416-1093  
 Phone: 860-828-0847 • Call Toll Free: 800-243-6032 • Fax: 860-828-0381  
 Web Address: <http://www.amatom.com> • E-Mail: [sales@amatom.com](mailto:sales@amatom.com)

HEAVY DUTY HANDLES

### SERIES 9000 HEAVY DUTY HANDLES (90 DEG. STOP & SPRING RETURN)



<b>TOLERANCES:</b>	
<b>FRACTIONS:</b>	+/- .031
<b>DECIMALS:</b>	.XX +/- .015
	.XXX +/- .005
<b>ANGLES:</b>	+/- 3 DEG.





# AMATOM<sup>®</sup>



## CROSS REFERENCE CHARTS

ELECTRONIC HARDWARE  
REFERENCE MANUAL

***Call Toll Free***

From anywhere in the USA Call Cromwell, CT **1-800-243-6032**

**AMATOM ELECTRONIC HARDWARE**

5 Pasco Hill Road

Cromwell, CT 06416-1093

860-828-0847

Fax: 860-828-0381

E-Mail: [sales@amatom.com](mailto:sales@amatom.com)

Web Address: <http://www.amatom.com>

## NAS 1829 MALE/FEMALE STANDOFFS

### NAS Part Number Structure

**N A S 1 8 2 9 C 3 C 0 3**

Material & Finish Code      Part Size/Thread

**N A S 1 8 2 9 A 3 B 0 4**

Material & Finish Code      Part Size/Thread

### Amatom Part Number Structure

**9723 - SS - 0440 - 7**

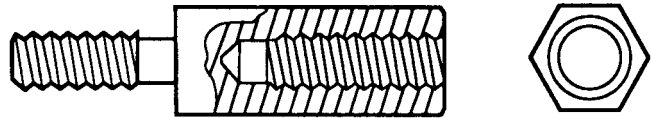
Base No.      Material Code      Thread Size (male & female same)      Finish Code

**9724 - A - 0440 - 0256 - 1B**

Base No.      Material Code      Male Thread      Female Thread      Finish Code

Thread Size	Thread Size Male Female	Thread Size	Amatom Base Number
<b>0256</b>	<b>M 0440 F 0256</b>	<b>0440</b>	
3A03	3B03	3C03	<b>9723</b>
3A04	3B04	3C04	<b>9724</b>
3A05	3B05	3C05	<b>9725</b>
3A06	3B06	3C06	<b>9726</b>
3A07	3B07	3C07	<b>9727</b>
3A08	3B08	3C08	<b>9728</b>
3A09	3B09	3C09	<b>9729</b>
3A10	3B10	3C10	<b>9730</b>
3A11	3B11	3C11	<b>9731</b>
3A12	3B12	3C12	<b>9732</b>
3A13	3B13	3C13	<b>9733</b>
3A14	3B14	3C14	<b>9734</b>
3A15	3B15	3C15	<b>9735</b>
3A16	3B16	3C16	<b>9736</b>
Examples			
NAS1829C3B14 = 9734-SS-0440-0256-7			
NAS1829BT3C10 = 9730-B-0440-14			

NAS Material & Finish Codes	Description	AMATOM Codes	
		Material	Finish
A	Aluminum, Anodic Coated	A	1B
AC	Aluminum, Gold Iridite	A	17
B	Brass, Cadmium-Plate	B	999
BT	Brass, Tin Plate	B	14
C	Stainless Steel, Passivated	SS	7
H	Nylon, no finish	N	00



Thread Size	Thread Size Male Female	Thread Size	Thread Size Male Female	Thread Size	AMATOM Base Number	
<b>0440</b>	<b>M 0632 F 0440</b>	<b>0632</b>	<b>M0832 F0632</b>	<b>0832</b>		
4C04	4D04	4E04	4F04	4G04	<b>9737</b>	
4C05	4D05	4E05	4F05	4G05	<b>9737-20</b>	
4C06	4D06	4E06	4F06	4G06	<b>9738</b>	
4C07	4D07	4E07	4F07	4G07	<b>9737-28</b>	
4C08	4D08	4E08	4F08	4G08	<b>9739</b>	
4C09	4D09	4E09	4F09	4G09	<b>9739-36</b>	
4C10	4D10	4E10	4F10	4G10	<b>9740</b>	
4C11	4D11	4E11	4F11	4G11	<b>9740-44</b>	
4C12	4D12	4E12	4F12	4G12	<b>9741</b>	
4C13	4D13	4E13	4F13	4G13	<b>9741-52</b>	
4C14	4D14	4E14	4F14	4G14	<b>9742</b>	
4C15	4D15	4E15	4F15	4G15	<b>9742-60</b>	
4C16	4D16	4E16	4F16	4G16	<b>9743</b>	
4C17	4D17	4E17	4F17	4G17	<b>9743-4</b>	
4C18	4D18	4E18	4F18	4G18	<b>9744</b>	
4C19	4D19	4E19	4F19	4G19	<b>9744-12</b>	
4C20	4D20	4E20	4F20	4G20	<b>9745</b>	
4C21	4D21	4E21	4F21	4G21	<b>9745-20</b>	
4C22	4D22	4E22	4F22	4G22	<b>9746</b>	
4C23	4D23	4E23	4F23	4G23	<b>9746-28</b>	
4C24	4D24	4E24	4F24	4G24	<b>9747</b>	
4C25	4D25	4E25	4F25	4G25	<b>9747-36</b>	
4C26	4D26	4E26	4F26	4G26	<b>9748</b>	
4C28	4D28	4E28	4F28	4G28	<b>9749</b>	
4C30	4D30	4E30	4F30	4G30	<b>9750</b>	
4C32	4D32	4E32	4F32	4G32	<b>9751</b>	
				4G36	<b>9751-16</b>	
				4G40	<b>9751-32</b>	
Examples: NAS1829AC4F14 = 9724-A-0832-0632-17					4G44	<b>9751-48</b>
NAS1829H4D07 = 9738-28-N-0632-0440-0					4G48	<b>9751-64</b>

Thread Size	Thread Size Male Female	Thread Size	Thread Size Male Female	Thread Size	AMATOM Base Number
<b>0632</b>	<b>M 0832 F 0632</b>	<b>0832</b>	<b>M1032 F0832</b>	<b>1032</b>	
6E06	6F06	6G06	6H06	6J06	<b>9753</b>
6E07	6F07	6G07	6H07	6J07	<b>9753-28</b>
6E08	6F08	6G08	6H08	6J08	<b>9754</b>
6E09	6F09	6G09	6H09	6J09	<b>9754-36</b>
6E10	6F10	6G10	6H10	6J10	<b>9755</b>
6E11	6F11	6G11	6H11	6J11	<b>9755-44</b>
6E12	6F12	6G12	6H12	6J12	<b>9756</b>
6E13	6F13	6G13	6H13	6J13	<b>9756-52</b>
6E14	6F14	6G14	6H14	6J14	<b>9757</b>
6E15	6F15	6G15	6H15	6J15	<b>9757-60</b>
6E16	6F16	6G16	6H16	6J16	<b>9758</b>
6E17	6F17	6G17	6H17	6J17	<b>9758-4</b>
6E18	6F18	6G18	6H18	6J18	<b>9759</b>
6E19	6F19	6G19	6H19	6J19	<b>9759-12</b>
6E20	6F20	6G20	6H20	6J20	<b>9760</b>
6E21	6F21	6G21	6H21	6J21	<b>9760-20</b>
6E22	6F22	6G22	6H22	6J22	<b>9761</b>
6E23	6F23	6G23	6H23	6J23	<b>9761-28</b>
6E24	6F24	6G24	6H24	6J24	<b>9762</b>
6E25	6F25	6G25	6H25	6J25	<b>9762-36</b>
6E26	6F26	6G26	6H26	6J26	<b>9763</b>
6E28	6F28	6G28	6H28	6J28	<b>9764</b>
6E30	6F30	6G30	6H30	6J30	<b>9765</b>
6E32	6F32	6G32	6H32	6J32	<b>9766</b>
6E36	6F36	6G36	6H36	6J36	<b>9767-16</b>
6E40	6F40	6G40	6H40	6J40	<b>9768</b>
6E44	6F44	6G44	6H44	6J44	<b>9769</b>
6E48	6F48	6G48	6H48	6J48	<b>9770</b>
Examples: NAS1829B6G21 = 9760-20-B-0832-999					
NAS1829C6E10 = 9755-SS-0632-7					

5 Pasco Hill Road • Cromwell, CT 06416-1093  
 Phone: 860-828-0847 • Call Toll Free: 800-243-6032 • Fax: 860-828-0381  
 Web Address: <http://www.amatom.com> • E-Mail: [sales@amatom.com](mailto:sales@amatom.com)

NAS CROSS REFERENCE CHARTS

### NAS 1830 SWAGE STANDOFFS

**NAS Part Number Structure**  
**N A S 1 8 3 0 BT 13 A 0 3**  
 Material & Finish Code    Shape/Size Thread    Shank Size    Length

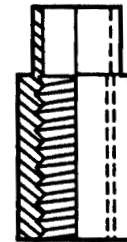
**Amatom Part Number Structure**  
**9532 - A - B - 0440 - 14**  
 Base No.    Shank Size    Material Code    Thread    Finish Code

**Please Note:**

NAS and AMATOM shank codes are identical.  
 Insert shank code in place of brackets in the following tables.

NAS Material & Finish Codes	Description	AMATOM Codes	
		Material	Finish
A	Aluminum, Anodic Coated	A	1B
AC	Aluminum, Gold Iridite	A	17
B	Brass, Cadmium-Plate	B	999
BT	Brass, Tin Plate	B	14
C	Stainless Steel, Passivated	SS	7
H	Nylon, no finish	N	00

0256 Thread 5/32 Round	Base No. AMATOM	0256 Thread 3/16 Round	Base No. AMATOM	0440 Thread 1/4 Round	0632 Thread 1/4 Round	Base No. AMATOM
11-[ ]-02	9505	12-[ ]-02	9518	13-[ ]-02	14-[ ]-02	9531
11-[ ]-03	9506	12-[ ]-03	9519	13-[ ]-03	14-[ ]-03	9532
11-[ ]-04	9507	12-[ ]-04	9520	13-[ ]-04	14-[ ]-04	9533
11-[ ]-05	9508	12-[ ]-05	9521	13-[ ]-05	14-[ ]-05	9534
11-[ ]-06	9509	12-[ ]-06	9522	13-[ ]-06	14-[ ]-06	9535
11-[ ]-07	9510	12-[ ]-07	9523	13-[ ]-07	14-[ ]-07	9536
11-[ ]-08	9511	12-[ ]-08	9524	13-[ ]-08	14-[ ]-08	9537
↑		↑		13-[ ]-09	14-[ ]-09	9538
Insert Shank Code		Insert Shank Code		13-[ ]-10	14-[ ]-10	9539
				13-[ ]-12	14-[ ]-12	9541
				13-[ ]-14	14-[ ]-14	9543
				13-[ ]-16	14-[ ]-16	9545
				13-[ ]-18	14-[ ]-18	9546
				13-[ ]-21	14-[ ]-21	9546-20
				13-[ ]-22	14-[ ]-22	9548
				13-[ ]-23	14-[ ]-23	9548-28
				13-[ ]-24	14-[ ]-24	9549
Examples	NAS1830A11B06 = 9509-B-A-0256-1B NAS1830C13C10 = 9539-C-SS-0440-7					



0256 Thread 5/32 Hex	Base No. AMATOM	0256 Thread 3/16 Hex	Base No. AMATOM	0440 Thread 1/4 Hex	0632 Thread 1/4 Hex	Base No. AMATOM
01-[ ]-02	9598	02-[ ]-02	9611	03-[ ]-02	04-[ ]-02	9624
01-[ ]-03	9599	02-[ ]-03	9612	03-[ ]-03	04-[ ]-03	9625
01-[ ]-04	9600	02-[ ]-04	9613	03-[ ]-04	04-[ ]-04	9626
01-[ ]-05	9601	02-[ ]-05	9614	03-[ ]-05	04-[ ]-05	9627
01-[ ]-06	9602	02-[ ]-06	9615	03-[ ]-06	04-[ ]-06	9628
01-[ ]-07	9603	02-[ ]-07	9616	03-[ ]-07	04-[ ]-07	9629
01-[ ]-08	9604	02-[ ]-08	9617	03-[ ]-08	04-[ ]-08	9630
↑		↑		03-[ ]-09	04-[ ]-09	9631
Insert Shank Code		Insert Shank Code		03-[ ]-10	04-[ ]-10	9632
				03-[ ]-12	04-[ ]-12	9634
				03-[ ]-14	04-[ ]-14	9636
				03-[ ]-16	04-[ ]-16	9638
				03-[ ]-18	04-[ ]-18	9639
				03-[ ]-21	04-[ ]-21	9639-20
				03-[ ]-22	04-[ ]-22	9641
				03-[ ]-23	04-[ ]-23	9641-28
				03-[ ]-24	04-[ ]-24	9642
Examples	NAS1830AC03A06 = 9628-A-A-0440-17 NAS1830B01B02 = 9598-B-B-0256-999					

NAS CROSS REFERENCE CHARTS

## NAS 1831 Female Standoffs

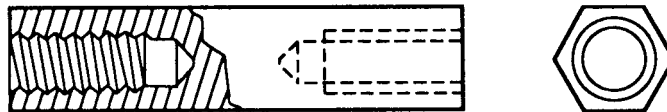
### NAS Part Number Structure

**N A S 1 8 3 1 BT 4 C 0 8**  
 Material & Finish Code      Hex Size / Thread Size

### Amatom Part Number Structure

**8215 - B - 0632 - 14**  
 Base No. Code      Material Size      Thread Code      Finish

NAS Material & Finish Codes	Description	AMATOM Codes	
		Material	Finish
A	Aluminum, Anodic Coated	A	1B
AC	Aluminum, Gold Iridite	A	17
B	Brass, Cadmium-Plate	B	999
BT	Brass, Tin Plate	B	14
C	Stainless Steel, Passivated	SS	7
H	Nylon, no finish	N	00



3/16 Hex 0256 Thread	3/16 Hex 0440 Thread	Base No. AMATOM	1/4 Hex 0440 Thread	1/4 Hex 0632 Thread	Base No. AMATOM
3A03	3B03	<b>8101</b>	4B03	4C04	<b>8210</b>
3A04	3B04	<b>8102</b>	4B04	4C05	<b>8211</b>
3A05	3B05	<b>8103</b>	4B05	4C06	<b>8212</b>
3A06	3B06	<b>8104</b>	4B06	4C07	<b>8213</b>
3A07	3B07	<b>8105</b>	4B07	4C08	<b>8214</b>
3A08	3B08	<b>8106</b>	4B08	4C09	<b>8215</b>
3A09	3B09	<b>8107</b>	4B09	4C10	<b>8216</b>
3A10	3B10	<b>8108</b>	4B10	4C11	<b>8217</b>
3A11	3B11	<b>8108-44</b>	4B11	4C12	<b>8217-44</b>
3A12	3B12	<b>8109</b>	4B12	4C13	<b>8218</b>
3A13	3B13	<b>8109-52</b>	4B13	4C14	<b>8218-52</b>
3A14	3B14	<b>8110</b>	4B14	4C15	<b>8219</b>
3A15	3B15	<b>8110-60</b>	4B15	4C16	<b>8219-60</b>
3A16	3B16	<b>8111</b>	4B16	4C17	<b>8220</b>
	3B17	<b>8112</b>	4B17	4C18	<b>8221</b>
	3B18	<b>8113</b>	4B18	4C19	<b>8222</b>
	3B19	<b>8114</b>	4B19	4C20	<b>8223</b>
	3B20	<b>8115</b>	4B20	4C21	<b>8224</b>
	3B21	<b>8116</b>	4B21	4C22	<b>8225</b>
	3B22	<b>8117</b>	4B22	4C23	<b>8226</b>
	3B23	<b>8118</b>	4B23	4C24	<b>8227</b>
	3B24	<b>8119</b>	4B24	4C25	<b>8228</b>
			4B25	4C26	<b>8229</b>
			4B26	4C27	<b>8230</b>
			4B28	4C28	<b>8231</b>
			4B30	4C30	<b>8232</b>
			4B32	4C32	<b>8233</b>
				4C34	<b>8234</b>
				4C36	<b>8235</b>
				4C38	<b>8236</b>
				4C40	<b>8237</b>
				4C42	<b>8237-40</b>
				4C44	<b>8238</b>
				4C48	<b>8239</b>
				4C52	<b>8240</b>
				4C56	<b>8241</b>

Example: NAS1831B3A08 = 8106-B-0256-999

5/16 Hex 0632 Thread	5/16 Hex 0832 Thread	Base No. AMATOM	3/8 Hex 0832 Thread	3/8 Hex 1032 Thread	Base No. AMATOM
5C06	5D06	<b>8392</b>			
5C07	5D07	<b>8393</b>			
5C08	5D08	<b>8394</b>	6D08	6E08	<b>8573</b>
5C09	5D09	<b>8395</b>	6D09	6E09	<b>8574</b>
5C10	5D10	<b>8396</b>	6D10	6E10	<b>8575</b>
5C11	5D11	<b>8396-44</b>	6D11	6E11	<b>8575-44</b>
5C12	5D12	<b>8397</b>	6D12	6E12	<b>8576</b>
5C13	5D13	<b>8397-52</b>	6D13	6E13	<b>8576-52</b>
5C14	5D14	<b>8398</b>	6D14	6E14	<b>8577</b>
5C15	5D15	<b>8398-60</b>	6D15	6E15	<b>8577-60</b>
5C16	5D16	<b>8399</b>	6D16	6E16	<b>8578</b>
5C17	5D17	<b>8400</b>	6D17	6E17	<b>8579</b>
5C18	5D18	<b>8401</b>	6D18	6E18	<b>8580</b>
5C19	5D19	<b>8402</b>	6D19	6E19	<b>8581</b>
5C20	5D20	<b>8403</b>	6D20	6E20	<b>8582</b>
5C21	5D21	<b>8404</b>	6D21	6E21	<b>8583</b>
5C22	5D22	<b>8405</b>	6D22	6E22	<b>8584</b>
5C23	5D23	<b>8406</b>	6D23	6E23	<b>8585</b>
5C24	5D24	<b>8407</b>	6D24	6E24	<b>8586</b>
5C25	5D25	<b>8408</b>	6D25	6E25	<b>8587</b>
5C26	5D26	<b>8409</b>	6D26	6E26	<b>8588</b>
5C28	5D28	<b>8410</b>	6D28	6E28	<b>8589</b>
5C30	5D30	<b>8411</b>	6D30	6E30	<b>8590</b>
5C32	5D32	<b>8412</b>	6D32	6E32	<b>8591</b>
5C34	5D34	<b>8413</b>	6D34	6E34	<b>8592</b>
5C36	5D36	<b>8414</b>	6D36	6E36	<b>8593</b>
5C38	5D38	<b>8415</b>	6D38	6E38	<b>8594</b>
5C40	5D40	<b>8416</b>	6D40	6E40	<b>8595</b>
5C42	5D42	<b>8416-40</b>	6D42	6E42	<b>8595-40</b>
5C44	5D44	<b>8417</b>	6D44	6E44	<b>8596</b>
5C48	5D48	<b>8418</b>	6D48	6E48	<b>8597</b>
5C52	5D52	<b>8419</b>	6D52	6E52	<b>8598</b>
5C56	5D56	<b>8420</b>	6D56	6E56	<b>8599</b>
5C60	5D60	<b>8421</b>	6D60	6E60	<b>8600</b>
5C64	5D64	<b>8422</b>	6D64	6E64	<b>8601</b>

Example: NAS1831A5C07 = 8393-A-0632-1B

5 Pasco Hill Road • Cromwell, CT 06416-1093  
 Phone: 860-828-0847 • Call Toll Free: 800-243-6032 • Fax: 860-828-0381  
 Web Address: <http://www.amatom.com> • E-Mail: [sales@amatom.com](mailto:sales@amatom.com)

NAS CROSS REFERENCE CHARTS







# AMATOM Cross Reference

## STANDOFF MATERIAL CROSS REFERENCE

FEMALE STANDOFFS															
<b>3/16 STOCK SIZE</b>				<b>1/4 STOCK SIZE</b> continued				<b>3/8 STOCK SIZE</b> continued				<b>1/2 STOCK SIZE</b> continued			
LNGLTH	RND	HEX	SQ	LNGLTH	RND	HEX	SQ	LNGLTH	RND	HEX	SQ	LNGLTH	RND	HEX	
1/8	8075	8100	8125	3	8180	8239	8299	7/16	8513	8572	8632	1-3/4	8708	8767	
3/16	8076	8101	8126	3-1/4	8181	8240	8300	1/2	8514	8573	8633	1-7/8	8709	8768	
1/4	8077	8102	8127	3-1/2	8182	8241	8301	9/16	8515	8574	8634	2	8710	8769	
5/16	8078	8103	8128	3-3/4	8183	8242	8302	5/8	8516	8575	8635	2-1/8	8711	8770	
3/8	8079	8104	8129	4	8184	8243	8303	3/4	8517	8576	8636	2-1/4	8712	8771	
7/16	8080	8105	8130	4-1/4	8185	8244	8304	7/8	8518	8577	8637	2-3/8	8713	8772	
1/2	8081	8106	8131	4-1/2	8186	8245	8305	1	8519	8578	8638	2-1/2	8714	8773	
9/16	8082	8107	8132	4-3/4	8187	8246	8306	1-1/16	8520	8579	8639	2-3/4	8715	8774	
5/8	8083	8108	8133	5	8188	8247	8307	1-1/8	8521	8580	8640	3	8716	8775	
3/4	8084	8109	8134	<b>5/16 STOCK SIZE</b>				1-3/16	8522	8581	8641	3-1/4	8717	8776	
7/8	8085	8110	8135	LNGLTH	RND	HEX	SQ	1-1/4	8523	8582	8642	3-1/2	8718	8777	
1	8086	8111	8136	1/8	8329	8388	8448	1-5/16	8524	8583	8643	3-3/4	8719	8778	
1-1/16	8087	8112	8137	3/16	8330	8389	8449	1-3/8	8525	8584	8644	4	8720	8779	
1-1/8	8088	8113	8138	1/4	8331	8390	8450	1-7/16	8526	8585	8645	4-1/4	8721	8780	
1-3/16	8089	8114	8139	5/16	8332	8391	8451	1-1/2	8527	8586	8646	4-1/2	8722	8781	
1-1/4	8090	8115	8140	3/8	8333	8392	8452	1-9/16	8528	8587	8647	4-3/4	8723	8782	
1-5/16	8091	8116	8141	7/16	8334	8393	8453	1-5/8	8529	8588	8648	5	8724	8783	
1-3/8	8092	8117	8142	1/2	8335	8394	8454	1-3/4	8530	8589	8649	<b>5/8 STOCK SIZE</b>			
1-7/16	8093	8118	8143	9/16	8336	8395	8455	1-7/8	8531	8590	8650	LNGLTH	RND	HEX	
1-1/2	8094	8119	8144	5/8	8337	8396	8456	2	8532	8591	8651	1/8	8863	8922	
1-9/16	8095	8120	8145	3/4	8338	8397	8457	2-1/8	8533	8592	8652	3/16	8864	8923	
1-5/8	8096	8121	8146	7/8	8339	8398	8458	2-1/4	8534	8593	8653	1/4	8865	8924	
1-3/4	8097	8122	8147	1	8340	8399	8459	2-3/8	8535	8594	8654	5/16	8866	8925	
1-7/8	8098	8123	8148	1-1/16	8341	8400	8460	2-1/2	8536	8595	8655	3/8	8867	8926	
2	8099	8124	8149	1-1/8	8342	8401	8461	2-3/4	8537	8596	8656	7/16	8868	8927	
<b>1/4 STOCK SIZE</b>				1-3/16	8343	8402	8462	3	8538	8597	8657	1/2	8869	8928	
LNGLTH	RND	HEX	SQ	1-1/4	8344	8403	8463	3-1/4	8539	8598	8658	9/16	8870	8929	
1/8	8150	8209	8269	1-5/16	8345	8404	8464	3-1/2	8540	8599	8659	5/8	8871	8930	
3/16	8151	8210	8270	1-3/8	8346	8405	8465	3-3/4	8541	8600	8660	3/4	8872	8931	
1/4	8152	8211	8271	1-7/16	8347	8406	8466	4	8542	8601	8661	7/8	8873	8932	
5/16	8153	8212	8272	1-1/2	8348	8407	8467	4-1/4	8543	8602	8662	1	8874	8933	
3/8	8154	8213	8273	1-9/16	8349	8408	8468	4-1/2	8544	8603	8663	1-1/16	8875	8934	
7/16	8155	8214	8274	1-5/8	8350	8409	8469	4-3/4	8545	8604	8664	1-1/8	8876	8935	
1/2	8156	8215	8275	1-3/4	8351	8410	8470	5	8546	8605	8665	1-3/16	8877	8936	
9/16	8157	8216	8276	1-7/8	8352	8411	8471	<b>1/2 STOCK SIZE</b>				1-1/4	8878	8937	
5/8	8158	8217	8277	2	8353	8412	8472	LNGLTH	RND	HEX		1-5/16	8879	8938	
3/4	8159	8218	8278	2-1/8	8354	8413	8473	1/8	8686	8745	1-3/8	8880	8939		
7/8	8160	8219	8279	2-1/4	8355	8414	8474	3/16	8687	8746	1-7/16	8881	8940		
1	8161	8220	8280	2-3/8	8356	8415	8475	1/4	8688	8747	1-1/2	8882	8941		
1-1/16	8162	8221	8281	2-1/2	8357	8416	8476	5/16	8689	8748	1-9/16	8883	8942		
1-1/8	8163	8222	8282	2-3/4	8358	8417	8477	3/8	8690	8749	1-5/8	8884	8943		
1-3/16	8164	8223	8283	3	8359	8418	8478	7/16	8691	8750	1-3/4	8885	8944		
1-1/4	8165	8224	8284	3-1/4	8360	8419	8479	1/2	8692	8751	1-7/8	8886	8945		
1-5/16	8166	8225	8285	3-1/2	8361	8420	8480	9/16	8693	8752	2	8887	8946		
1-3/8	8167	8226	8286	3-3/4	8362	8421	8481	5/8	8694	8753	2-1/8	8888	8947		
1-7/16	8168	8227	8287	4	8363	8422	8482	3/4	8695	8754	2-1/4	8889	8948		
1-1/2	8169	8228	8288	4-1/4	8364	8423	8483	7/8	8696	8755	2-3/8	8890	8949		
1-9/16	8170	8229	8289	4-1/2	8365	8424	8484	1	8697	8756	2-1/2	8891	8950		
1-5/8	8171	8230	8290	4-3/4	8366	8425	8485	1-1/16	8698	8757	2-3/4	8892	8951		
1-3/4	8172	8231	8291	5	8367	8426	8486	1-1/8	8699	8758	3	8893	8952		
1-7/8	8173	8232	8292	<b>3/8 STOCK SIZE</b>				1-3/16	8700	8759	3-1/4	8894	8953		
2	8174	8233	8293	LNGLTH	RND	HEX	SQ	1-1/4	8701	8760	3-1/2	8895	8954		
2-1/8	8175	8234	8294	1/8	8508	8567	8627	1-5/16	8702	8761	3-3/4	8896	8955		
2-1/4	8176	8235	8295	3/16	8509	8568	8628	1-3/8	8703	8762	4	8897	8956		
2-3/8	8177	8236	8296	1/4	8510	8569	8629	1-7/16	8704	8763	4-1/4	8898	8957		
2-1/2	8178	8237	8297	5/16	8511	8570	8630	1-1/2	8705	8764	4-1/2	8899	8958		
2-3/4	8179	8238	8298	3/8	8512	8571	8631	1-9/16	8706	8765	4-3/4	8900	8959		
								1-5/8	8707	8766	5	8901	8960		

STANDOFF CROSS REFERENCE CHARTS

5 Pasco Hill Road • Cromwell, CT 06416-1093  
 Phone: 860-828-0847 • Call Toll Free: 800-243-6032 • Fax: 860-828-0381  
 Web Address: <http://www.amatom.com> • E-Mail: [sales@amatom.com](mailto:sales@amatom.com)

## METRIC TO INCH CONVERSION TABLE

Millimeters to decimals of an inch										
MM →	0	1	2	3	4	5	6	7	8	9
MM ↓	INCH EQUIVALENTS									
0	0.00000	0.03937	0.07874	0.11811	0.15748	0.19685	0.23622	0.27559	0.31496	0.35433
10	0.39370	0.43307	0.47244	0.51181	0.55118	0.59055	0.62992	0.66929	0.70866	0.74803
20	0.78740	0.82677	0.86614	0.90551	0.94488	0.98425	1.02362	1.06299	1.10236	1.14173
30	0.18110	1.22047	1.25984	1.29921	1.33358	1.37795	1.41732	1.45669	1.49606	1.53543
40	1.57480	1.61417	1.65354	1.69291	1.73228	1.77165	1.81102	1.85039	1.88796	1.92913
50	1.96850	2.00787	2.04724	2.08661	2.12598	2.16535	2.20472	2.24409	2.28346	2.32253
60	2.36220	2.40157	2.44094	2.48031	2.51968	2.55905	2.59842	2.63779	2.67716	2.71653
70	2.75590	2.79527	2.83464	2.87401	2.91338	2.95276	2.99212	3.03149	3.07086	3.11023
80	3.14960	3.18897	3.22834	3.26771	3.30708	3.34645	3.38582	3.42519	3.46456	3.50393
90	3.54330	3.58267	3.62204	3.66141	3.70078	3.74015	3.77952	3.81889	3.85826	3.89763
100	3.93700	3.97637	4.01574	4.05511	4.09448	4.13385	4.17322	4.21259	4.25196	4.29133
110	4.33070	4.37007	4.40944	4.44881	4.48818	4.52755	4.56692	4.60629	4.64566	4.68503
120	4.72440	4.76377	4.80314	4.84251	4.38188	4.92125	4.96062	4.99999	5.03936	5.07873
130	5.11810	5.75747	5.19684	5.23621	5.27558	5.31495	5.35432	5.39369	5.43306	5.47243
140	5.51180	5.55117	5.59054	5.62991	5.66928	5.70865	5.74802	5.78739	5.82676	5.86613
150	5.90550	5.94487	5.98424	6.02361	6.06298	6.10235	6.14172	6.18109	6.22046	6.25983
160	6.29920	6.33857	6.37794	6.41731	6.45668	6.49605	6.53542	6.57479	6.61416	6.65353
170	6.69290	6.73227	6.77164	6.81101	6.85038	6.88975	6.92912	6.96849	7.00786	7.04723
180	7.08660	7.12597	7.16534	7.20471	7.24408	7.28345	7.32282	7.36219	7.40156	7.44093
190	7.48030	7.51967	7.55904	7.59841	7.63778	7.67715	7.71622	7.75589	7.79526	7.83463
200	7.87400	7.91337	7.95274	7.99211	8.03148	8.07085	8.11022	8.14959	8.18869	8.22533
210	8.26770	8.30707	8.34644	8.38581	8.42518	8.46455	8.50392	8.54329	8.58266	8.62203
220	8.66140	8.70077	8.74014	8.77951	8.81888	8.85825	8.89762	8.93699	8.97636	9.01573
230	9.05510	9.09447	9.13384	9.17321	9.21258	9.25195	9.29132	9.33069	9.37006	9.40943
240	9.44880	9.48817	9.52754	9.56691	9.60628	9.64565	9.68502	9.72439	9.76376	9.80313
250	9.84250	9.88187	9.92124	9.96061	9.99998	10.03935	10.07872	10.11809	10.15746	10.19683
260	10.23620	10.27557	10.31494	10.35431	10.39368	10.43305	10.47242	10.51179	10.55116	10.59053
270	10.62990	10.66927	10.70864	10.74801	10.75738	10.82675	10.86612	10.90549	10.94486	10.98423
280	11.02360	11.06297	11.10234	11.14171	11.18108	11.22045	11.25982	11.29919	11.33856	11.37793
290	11.41730	11.45667	11.49604	11.53541	11.57478	11.61415	11.65352	11.69289	11.73226	11.77163



# AMATOM Cross Reference

## FRACTIONS TO DECIMAL INCH CONVERSION TABLE

Fractional Inches — Decimal — MM	Fractional Inches — Decimal — MM
1/64..... .015625	33/64 ..... .515625
..... 1/32..... .03125	..... .51181 ... 13
..... .03937 ... 1	..... 35/64 ..... .53125
3/64..... .046875	35/64 ..... .546875
..... 1/16... .0625	..... .55118 ... 14
5/64..... .078125	..... 9/16... .5625
..... .07874 ... 2	37/64 ..... .578125
..... 3/32..... .09375	..... .59055 ... 15
7/64..... .109375	..... 19/32 ..... .59375
..... .11811 ... 3	39/64 ..... .609375
..... 1/8... .125	..... 5/8... .625
9/64..... .140625	..... .62992 ... 16
..... 5/32..... .15625	41/64 ..... .640625
..... .15748 ... 4	..... 21/32 ..... .65625
11/64..... .171875	..... .66929 ... 17
..... 3/16... .1875	43/64 ..... .671875
..... .19685 ... 5	..... 11/16. .6875
13/64..... .203125	45/64 ..... .703125
..... 7/32..... .21875	..... .70866 ... 18
15/64..... .234375	..... 23/32 ..... .71875
..... .23622 ... 6	47/64 ..... .734375
..... 1/4... .250	..... .74803 ... 19
17/64..... .265625	..... 3/4... .750
..... .27559 ... 7	49/64 ..... .765625
..... 9/32..... .28125	..... 25/32 ..... .78125
19/64..... .296875	..... .7874 ... 20
..... 5/16... .3125	51/64 ..... .796875
..... .31496 ... 8	..... 13/16. .8125
21/64..... .328125	..... .82677 ... 21
..... 11/32 ..... .34375	53/64 ..... .828125
..... .35433 ... 9	..... 27/32 ..... .84375
23/64..... .359375	55/64 ..... .859375
..... 3/8... .375	..... .86614 ... 22
25/64..... .390625*	..... 7/8... .8750
..... .3937 ... 10	57/64 ..... .890625
..... 13/32 ..... .40625	..... .90551 ... 23
27/64..... .42187;	..... 29/32 ..... .90625
..... .43307 ... 11	59/64 ..... .921875
..... 7/16... .4375	..... 15/16. .9375
29/64..... .453125	..... .94488 ... 24
..... .46875	61/64 ..... .953125
..... .47244 ... 12	..... 31/32 ..... .96875
31/64..... .484375	..... .98425 ... 25
..... 1/2... .500	63/64 ..... .984375

5 Pasco Hill Road • Cromwell, CT 06416-1093  
 Phone: 860-828-0847 • Call Toll Free: 800-243-6032 • Fax: 860-828-0381  
 Web Address: <http://www.amatom.com> • E-Mail: [sales@amatom.com](mailto:sales@amatom.com)

FRACTIONS TO DECIMAL CONVERSION TABLE

Realizing the increased complexity of packaging in the design of electronic equipment, Amatom Electronic Hardware has prepared this REFERENCE MANUAL of STANDARD ELECTRONIC HARDWARE for your use in design and purchasing.

These parts are available in a wide range of sizes, materials and finishes – DIRECTLY FROM STOCK.

**Terms** F.O.B. Shipping Point – Net 30 days.

**Credit** D & B rating or three (3) commercial companies you now purchase from on open account and the name and address of your bank. All new accounts are subject to approval by the Amatom Credit Department.

**Cancellations** Orders may be cancelled or deliveries deferred only upon the condition that the Buyer assumes liability and makes payment to the Seller for all work, whether in process or complete at time of notification.

**Returns** No returns will be accepted without prior authorization of our Sales Department. Return to have name of person who authorized return.

**Shipments** Stock items will be shipped to quantities ordered. Made to order items will be shipped up to plus or minus 10%.

**Quotations** Prices quoted are valid for 30 days. Typographical, clerical and key punch errors are subject to correction.

**Shipping** We take the greatest care in packing and shipping merchandise so that it will arrive at its destination in good condition. Our responsibility ends when the shipment is delivered to the carrier. In case of loss or damage, the buyer should immediately file a claim with the carrier.

**Specifications** The specifications as listed in this manual are purely functional. Amatom reserves the right to make changes in specifications or tolerances at any time without notice, as long as parts remain functional for same application.

**We Accept . . .**



5 Pasco Hill Road • Cromwell, CT 06416-1093  
Phone: 860-828-0847 • Call Toll Free: 800-243-6032 • Fax: 860-828-0381  
Web Address: <http://www.amatom.com> • E-Mail: [sales@amatom.com](mailto:sales@amatom.com)



**AMATOM<sup>®</sup>**

Toll Free: **800-243-6032** ■ [www.amatom.com](http://www.amatom.com)

5 Pasco Hill Road ■ Cromwell, CT 06416-1093 ■ Phone: (860) 828-0847 ■ Fax: (860) 828-0381