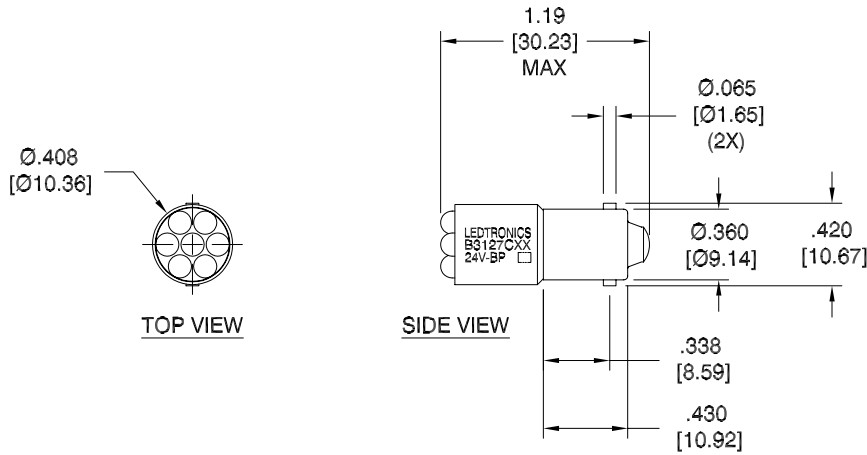


LTR	REVISION	DATE	APPD
A	092315-JH01: CHG. O.D. OF SLEEVE FROM 0.400 TO 0.408	04-06-16	GP



**NOTES:**

1. ALL DIMENSIONS ARE IN INCHES (MILLIMETERS).
2. SLEEVE MATERIAL: RYNITE FR530 (UL94V-1 MINIMUM, UL94V-0 PREFERRED)
3. BASE MATERIAL: SHELL (BODY) IS MADE FROM BRASS WITH NICKEL-PLATED (BARREL)
4. OPERATING TEMPERATURE: ~-30°C to ~+50°C



REVISION NOTIFICATION
<input type="checkbox"/> DLC
<input type="checkbox"/> UL/ETL
<input type="checkbox"/> MADE IN USA
<input type="checkbox"/> CUSTOMER _____
<input type="checkbox"/> OTHER

**ELECTRICAL - OPTICAL CHARACTERISTICS (Ta = 25°C)**

B3127CG5-0003	B3127CG5-24V-BP	HI-EFF GREEN	24Vdc	0.020 A	0.48W	1.02cd	566	60°
B3127CR5-0005	B3127CR5-24V-BP	HI-EFF RED	24Vdc	0.027 A	0.65W	0.525cd	642	40°
B3127CR6-0015	B3127CR6-24V-BP	ULTRA RED	24Vdc	0.025 A	0.60W	1.300cd	654	60°
B3127CW5-0007	B3127CW5-24V/30-BP	PALE WHITE (Rd-Gn)	24Vdc	0.025 A	-	-	642/566	60°
B3127CY5-0014	B3127CY5-24V/30-BP	YELLOW	24Vdc	0.025 A	0.55W	0.480cd	585	45°
B3127CY6-0002	B3127CY6-24V/30-BP	SUPER YELLOW/YELLOW	24Vdc	0.025 A	-	-	596/585	45°
LEDTRONICS PART NO.	DESCRIPTION PART NO.	COLOR EMITTED	INPUT VOLTAGE, V	CURRENT (A)	POWER (W)	MAXIMUM CANDELA	λ P nm	VIEWING ANGLE (FULL BEAM WIDTH @ 50% INTENSITY)



**-PROPRIETARY-**  
 This document contains Proprietary information of LEDTRONICS, INC. It may not be copied, used or disclosed for any purpose without the prior express written consent of LEDTRONICS, INC.

.XXX ± .010 TOLERANCE PER ANSI-Y14.5  
 .XX ± .025 (UNLESS OTHERWISE STATED)  
 ANGLES ± 0°,30'  
 FRACT. ± 1/32

TITLE					
<b>B3127CXX-00XX (B3127CXX-24V/30-BP)</b>					
DWG NO	SCALE	SHEET	DATE		
B3127-24V-BP	1:1	1 OF 1	01-21-08		
CODE IDENT NO.	DWG BY	CHK BY	QA	MFG	R&D
8Z410	GP		JH	LD	LUV
	01-21-08		06-03-16	06-03-16	06-03-16