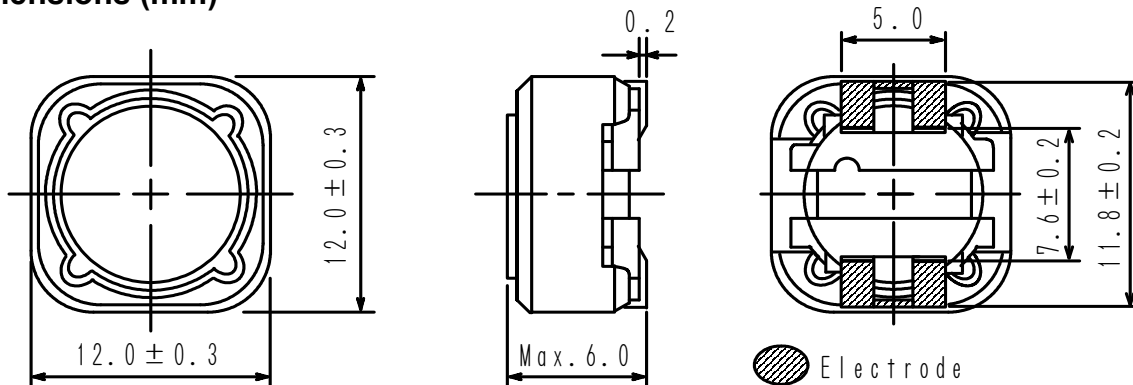
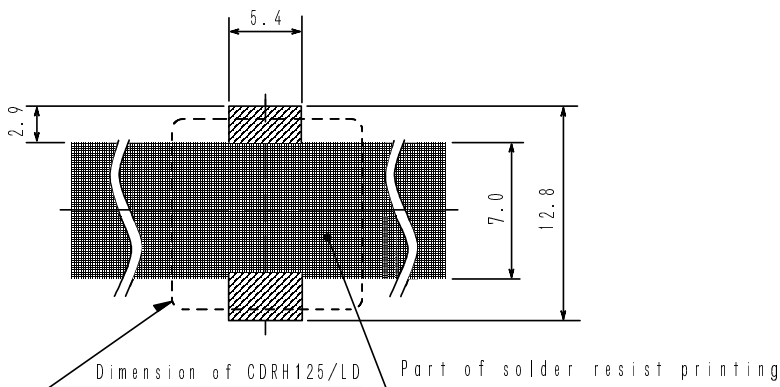


Type: CDRH125
◆ Product Description

- 12.3×12.3mm Max.(L×W), 6.0mm Max. Height.
- Inductance range: 1.3 μH~1.0mH.
- Rated current range: 0.4~8.0A.
- Custom design is available.


◆ Feature

- Magnetically shielded construction.
- Storage temperature range: -40°C~+100°C.
- Operating temperature range: -40°C~+100°C (Including coil's self temperature rise).
- Ideally used in Notebook PC, LCD TV,DVD, Game machine, STB ,Projector etc as DC-DC converter inductors.
- RoHS compliance and Halogen Free.

◆ Dimensions (mm)

◆ Land Pattern (mm)

◆ Specification

Type: CDRH125

Part Name ※	Stamp	Inductance (μ H)	D.C.R.(Ω) Max.(Typ.) (at 20°C)	Rated Current (A)※1	Measuring Frequency
CDRH125NP-1R3N□	1R3	1.3 $\begin{matrix} +30\% \\ -20\% \end{matrix}$	0.012(0.009)	8.00	7.96MHz
CDRH125NP-2R1N□	2R1	2.1 $\begin{matrix} +30\% \\ -20\% \end{matrix}$	0.014(0.011)	7.00	7.96MHz
CDRH125NP-3R1N□	3R1	3.1 $\begin{matrix} +30\% \\ -20\% \end{matrix}$	0.017(0.013)	6.00	7.96MHz
CDRH125NP-4R4N□	4R4	4.4 $\begin{matrix} +30\% \\ -20\% \end{matrix}$	0.020(0.016)	5.00	7.96MHz
CDRH125NP-5R8N□	5R8	5.8 $\begin{matrix} +30\% \\ -20\% \end{matrix}$	0.021(0.017)	4.40	7.96MHz
CDRH125NP-7R5N□	7R5	7.5 $\begin{matrix} +30\% \\ -20\% \end{matrix}$	0.024(0.019)	4.20	7.96MHz
CDRH125NP-100M□	100	10 \pm 20%	0.025(0.019)	4.00	1KHz
CDRH125NP-120M□	120	12 \pm 20%	0.027(0.021)	3.50	1KHz
CDRH125NP-150M□	150	15 \pm 20%	0.030(0.023)	3.30	1KHz
CDRH125NP-180M□	180	18 \pm 20%	0.034(0.026)	3.00	1KHz
CDRH125NP-220M□	220	22 \pm 20%	0.036(0.028)	2.80	1KHz
CDRH125NP-270M□	270	27 \pm 20%	0.051(0.039)	2.30	1KHz
CDRH125NP-330M□	330	33 \pm 20%	0.057(0.044)	2.10	1KHz
CDRH125NP-390M□	390	39 \pm 20%	0.068(0.052)	2.00	1KHz
CDRH125NP-470M□	470	47 \pm 20%	0.075(0.058)	1.80	1KHz
CDRH125NP-560M□	560	56 \pm 20%	0.11(0.084)	1.70	1KHz
CDRH125NP-680M□	680	68 \pm 20%	0.12(0.093)	1.50	1KHz
CDRH125NP-820M□	820	82 \pm 20%	0.14(0.11)	1.40	1KHz
CDRH125NP-101M□	101	100 \pm 20%	0.16(0.12)	1.30	1KHz
CDRH125NP-121M□	121	120 \pm 20%	0.17(0.13)	1.10	1KHz
CDRH125NP-151M□	151	150 \pm 20%	0.23(0.18)	1.00	1KHz
CDRH125NP-181M□	181	180 \pm 20%	0.29(0.22)	0.90	1KHz
CDRH125NP-221M□	221	220 \pm 20%	0.40(0.31)	0.80	1KHz
CDRH125NP-271M□	271	270 \pm 20%	0.46(0.35)	0.75	1KHz
CDRH125NP-331M□	331	330 \pm 20%	0.51(0.39)	0.68	1KHz

Type: CDRH125

Part Name ※	Stamp	Inductance (μ H)	D.C.R.(Ω) Max.(Typ.) (at 20°C)	Rated Current (A) ※1	Measuring frequency
CDRH125NP-391M□	391	390 \pm 20%	0.69(0.53)	0.65	1KHz
CDRH125NP-471M□	471	470 \pm 20%	0.77(0.59)	0.58	1KHz
CDRH125NP-561M□	561	560 \pm 20%	0.86(0.66)	0.54	1KHz
CDRH125NP-681M□	681	680 \pm 20%	1.20(0.92)	0.48	1KHz
CDRH125NP-821M□	821	820 \pm 20%	1.34(1.03)	0.43	1KHz
CDRH125NP-102M□	102	1000 \pm 20%	1.53(1.18)	0.40	1KHz

※ Description of part name

CDRH125NP-100M□

- B Box
- C Carrier Tape

※1. Rated current: The DC current at which the inductance decreases to 75% of its nominal value or when $\Delta t=40^{\circ}\text{C}$, whichever is lower($T_a=20^{\circ}\text{C}$).