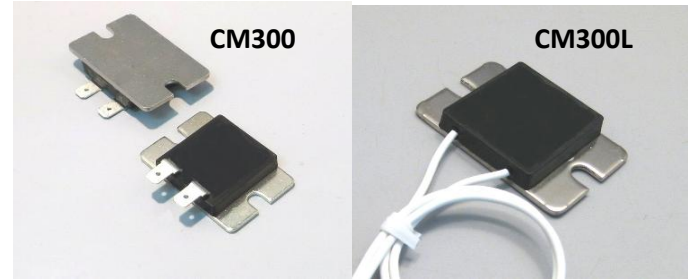
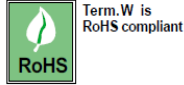


300W NON-INDUCTIVE, LOW-PROFILE CHASSIS MOUNT RESISTORS

CM300 SERIES



FEATURES

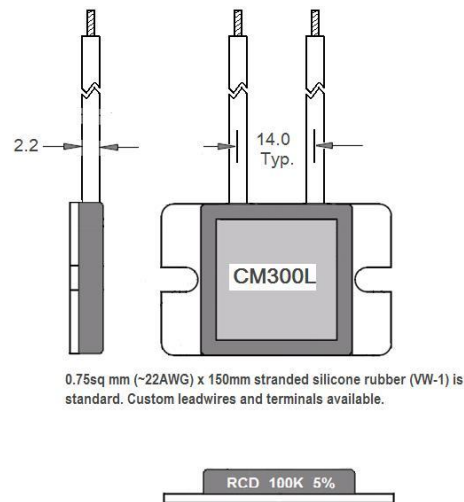
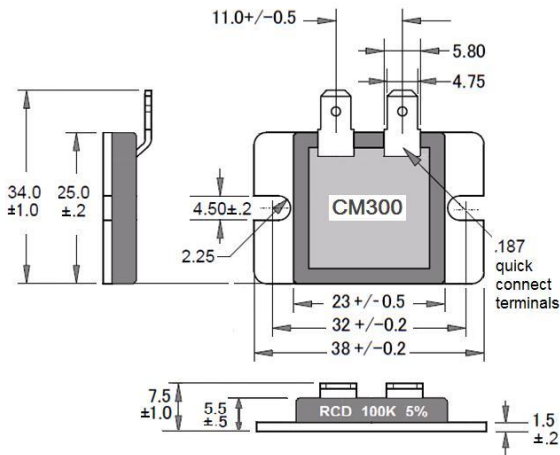
- 300W with low profile & small size
- Non-inductive, light weight
- High stability/reliability
- Wide resistance range
- Up to 5KV insulation voltage available
- Virtually vibration-proof
- 55°C to +175°C operating temperature
- RoHS is standard

OPTIONS

Military burn-in/screening and numerous design modifications are available such as flexible leads of different diameters/lengths/materials, custom values, custom marking, lead/Pb terminations, etc.

Attached to a suitable air- or water-cooled heat sink, RCD's CM300 proprietary flame retardant epoxy insulation ensures optimal environmental protection & dielectric strength. Excellent for applications such as inverters, power supplies, laser systems, DC-DC converters, X-ray/radio frequency generators, medical equipment, snubber circuits, bypass and coupling circuits and other high voltage or high power applications.

Dimensions



Requirements	Characteristics, Typ.	Test Method
Power Rating	300W	At flange temp. <= +25°C
Resistance Range and Tolerance	0.1Ω to 1M; 2%, 5% & 10% standard	
Temperature Coefficient	± 100ppm	+25°C to +125°C, except opt.L in low values
Operating Temperature Range	-55°C to +175°C	Measured at flange surface
Max Working Voltage	1000V (up to 2000V available)	$E = \sqrt{P \times R}$ or 1KV (up to 2KV)
Dielectric Strength	2KVAC (up to 5KV available)	60 sec. between terminal & flange
Load Life Stability	± 1%	Continuous power, 1000 hours
Moisture Resistance	± 1%	60°C, 90-95% RH, 1000 hours
Insulation Resistance	> 1000 Megohms	Between terminals & flange
Derating	300W at 25°C to 0W at 175°C	Derate linearly
Thermal Imedance	.23W/°C	From resistor to flange

Part Number Example: **CM300** **L** - **104** - **J** **W**
 Type Optional Resistance Tolerance Termination
 Insul. Leads Code Code Code (W=RoHS)