

**Approximate Operating Distances (mm)
Non Ferrous Surface**

| | | |
|---|-----------|------|
| X | Min Close | 18mm |
| | Max Open | 5mm |
| Y | Min Close | 18mm |
| | Max Open | 35mm |
| Z | Min Close | 25mm |
| | Max Open | 45mm |

Mounting on a ferrous surface will reduce these figures, dependant on the material and thickness.

| Specifications | | | |
|---------------------|-------------------|-------------------------|-------------------------|
| Switch | | Housing | |
| Contact Material: | Palladium | Material: | High Impact Polystyrene |
| Contact Rating: | 0.5A @ 12Vdc | Contact Dimension : | 19.5mm dia x 13mm |
| Contact Resistance: | 150 milliOhms | Contact Face Dimension: | 35mm x 25mm |
| Temperature Range: | -15° C to +40° C | Magnet Dimension: | 19.5mm dia x 15mm |
| Life Expectancy: | >1,000,000 cycles | Magnet Face Dimension: | 35mm x 25mm |

Environmental Advice.

This product is covered by current WEEE regulations. Please consider the effect on the environment when disposing of it. Do not put in a domestic waste bin. Only dispose of at an appointed recycling centre.



RoHS compliant.

This product is designed to meet the requirements of EN50131-2-6:2008
Security grade 1, environmental class II

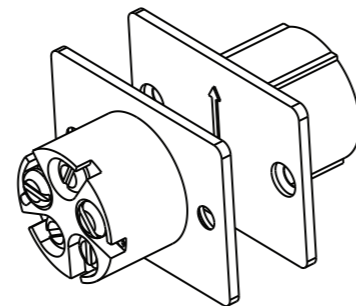


FC505/* Magnetic Flush Contact.

* colour varies

Flush mounted magnetic contact.
Double Pole configuration
Suitable for domestic and commercial alarm circuits.
Suitable for double door applications.
High impact polymer construction.

Operating and Installation Instructions

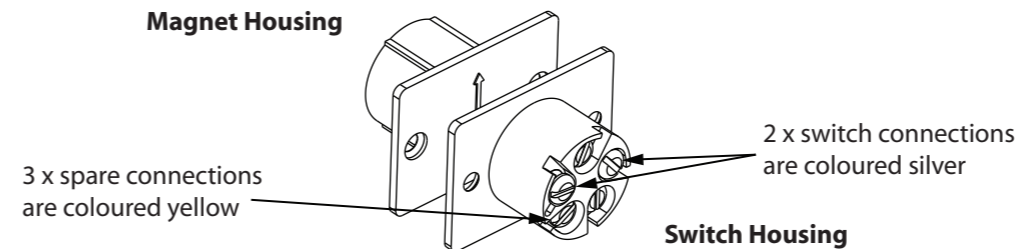


Description

This flush mounted magnetic door contact can be used in grade 1 security systems as specified in EN50131-1: 2006 and is compliant to EN50131-2-6:2008 and environmental class II (for use indoors). It operates as a normally open circuit going closed in the presence of the magnet. This contact can be used on most doors to detect the unauthorised entry of an intruder.

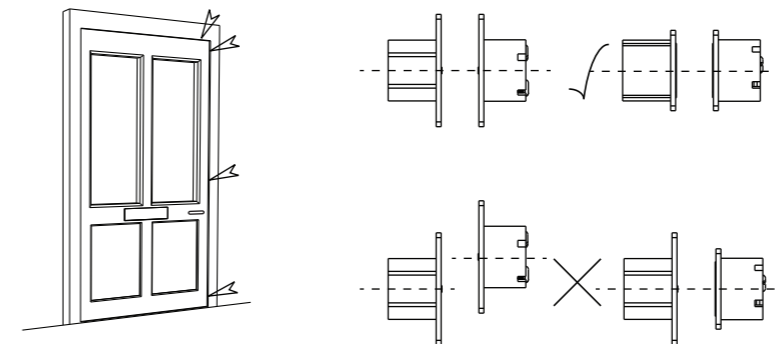
CQR Security, 125, Pasture Road, Moreton, Wirral, CH46 4TH, United Kingdom
Tel: +44 (0) 151 606 9595 Support: +44 (0) 151 606 6311 email: info@cqr.co.uk Web http://www.cqr.co.uk

Features



Suitable Applications and Fixing Points

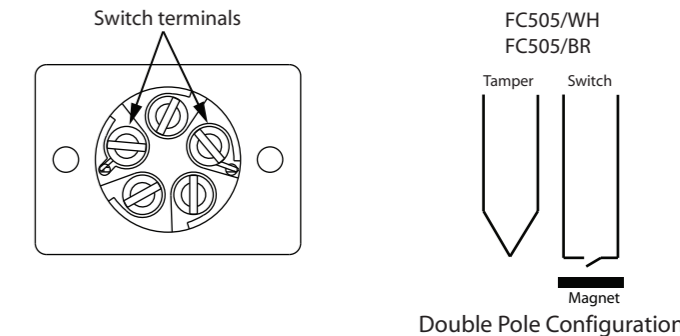
Recommended fixing points
Residential and Commercial Doors



Mounting Instructions

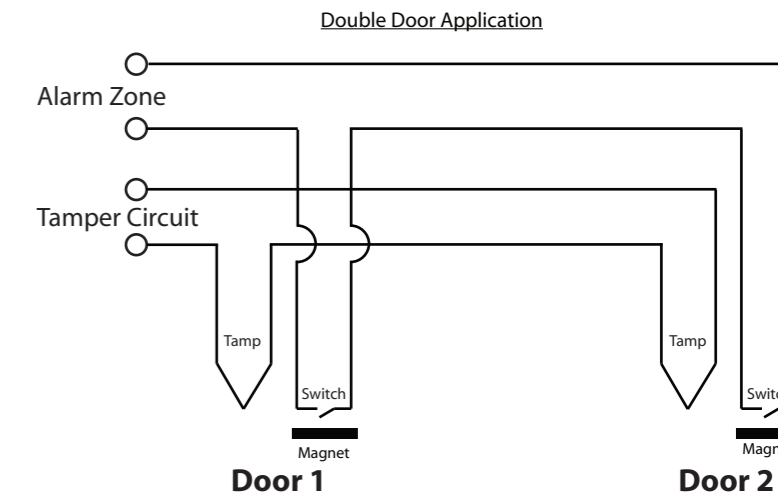
To install the contact housing, drill a 20mm hole into the door frame to a minimum depth of 17mm on the opening side of the door. If the face plate is required to be flush, mark around the plate and chisel out the wood to the required depth to allow the face plate to be flush with the surface. Drill a suitable hole to allow for cable entry and feed the cable through it. Terminate the wires to requirements, insert the unit into the prepared hole and secure with the screws provided. To fit the magnet, carefully mark the position on the door from the already fitted contact to ensure that the centre of the magnet is aligned with the centre of the contact. Drill a 20mm hole to a minimum depth of 17mm into the door, again chisel out the wood if flush fitting with the surface is required. Place the magnet casing into the hole and secure it using the screws provided. Please note that the arrows on both parts must be lined up.

Wiring Configurations



To install this contact, connect the alarm zone from the control panel to the two silver coloured screws, these connect to the switch. The two tamper circuit wires from the control panel should be joined together using one of the three remaining yellow colour screws.

Control Panel



To install these door contacts in a double door situation, wire the alarm and tamper circuits in series.