

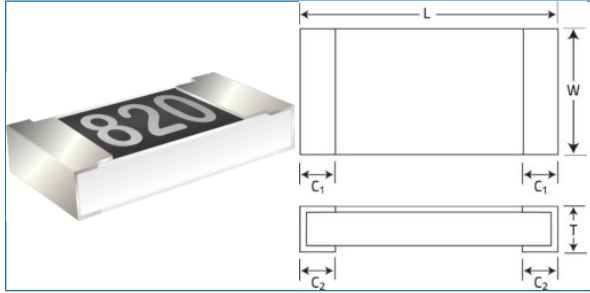
# CR2512-2W-1820FT-W Datasheet

General Purpose Thick Film Resistors (CR Series)

Chip Resistor, 2512, 2W, 182R, 1%

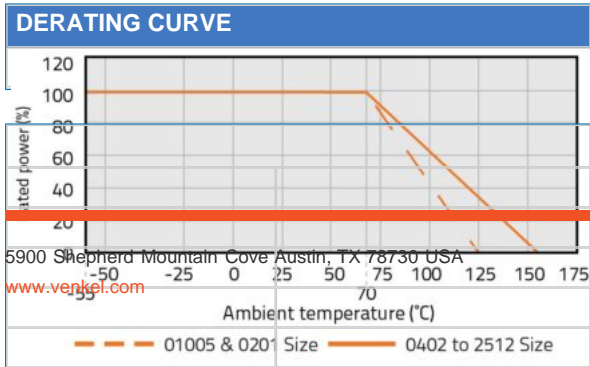
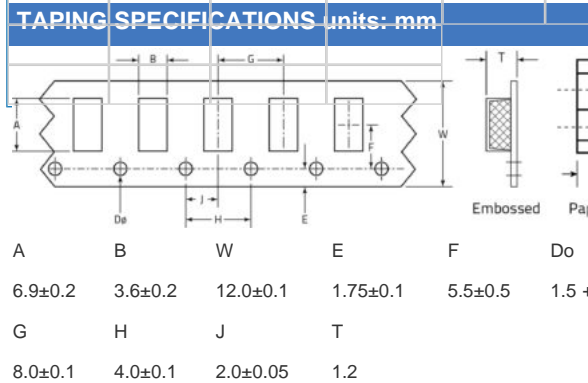
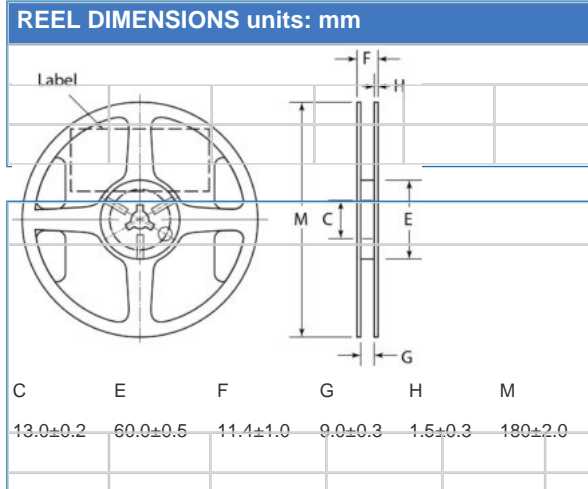


VENKEL LTD.



SIZE SPECIFICATIONS unit: inches	
Length:	$0.248 \pm 0.006$ ( $6.3 \pm 0.15$ )
Width:	$0.126 \pm 0.006$ ( $3.2 \pm 0.15$ )
T(max):	See CR Datasheet
C1:	See CR Datasheet
C2:	See CR Datasheet
Size:	2512

COMPONENT SPECIFICATIONS	
Category:	Resistors
Series:	General Purpose Thick Film Resistors (CR Series)
Size:	2512
Resistance:	182 ohm
Power Rating:	2W
Temperature Coefficient (TCR):	100ppm
Maximum Voltage:	$\sqrt{PR}$ or 200V
Tolerance:	1%
Termination:	N - 100% Matte Tin over Nickel
Operating Temperature:	-55C to +155C
Packaging:	T
Quantity per Reel:	4000



COMPLIANCE STATUS	
RoHS Status:	5 of 6 Compliant
REACH Status:	Compliant
Halogen Status:	Halogen Free
Conflict Mineral Status:	Conflict Mineral Free