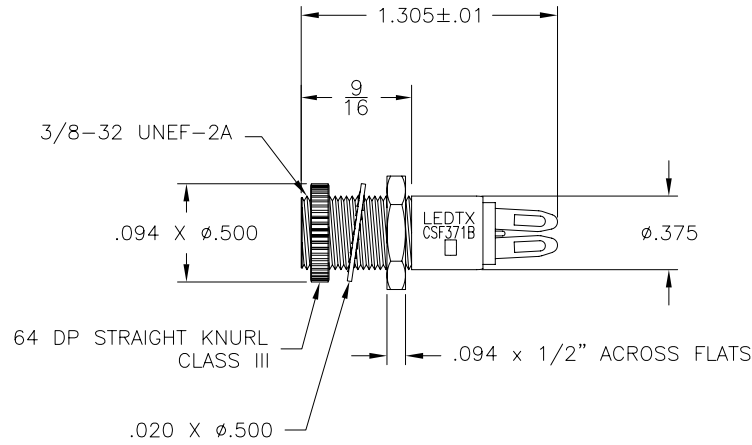


LTR	REVISION	DATE	APPD
A	053111-GP03: CHG. OAL FROM 1.325 TO 1.305+/-0.01	05-31-11	GP



**SLEEVE DESCRIPTION:**

1. MATERIAL: ALUMINUM, BLACK ANODIZED

**HOLDER DESCRIPTION:**

1. INSULATOR MATERIAL: BLACK MOLDED PHENOLIC
2. TERMINAL: TIN PLATED BERYLLIUM COPPER

**LOCKWASHER DESCRIPTION:**

1. MATERIAL: #425 ALLOY BRONZE



REVISION NOTIFICATION

- PMA
- UL
- MADE IN USA
- CUSTOMER \_\_\_\_\_
- OTHER



**-PROPRIETARY-**  
 This document contains Proprietary information of LEDTRONICS,™ INC. It may not be copied, used or disclosed for any purpose without the prior express written consent of LEDTRONICS,™ INC.

.XXX ± .010 TOLERANCE PER ANSI-Y14.5  
 .XX ± .025 (UNLESS OTHERWISE STATED)  
 ANGLES ± 0°,30'  
 FRACT. ± 1/32

TITLE <b>HLDR-CSF371B</b>							
DWG NO CMHD0211-CUST		SCALE 1:1		SHEET 1 OF 1		DATE 07-10-07	
CODE IDENT NO. 8Z410	DWG BY GP 07-10-07	CHK BY	QA RD 05-31-11	MFG LD 05-31-11	R&D BJ 05-31-11		