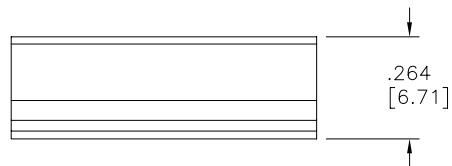
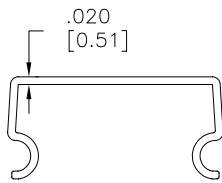
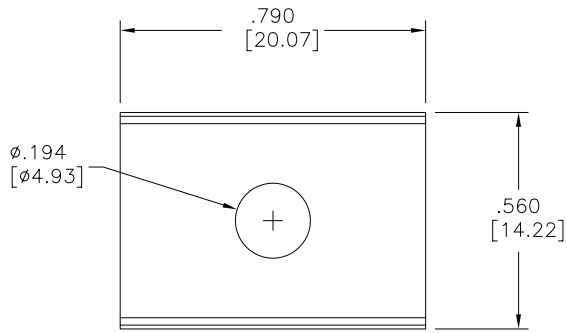


LTR	REVISION	DATE	APPD
-	RELEASED	11-26-13	MM



NOTES:

1. ALL DIMS ARE IN INCHES [MILLIMETERS].
2. MATERIAL: METAL
3. FIXED ANGLE MOUNTING CLIP

REVISION NOTIFICATION	
<input type="checkbox"/>	DLC
<input type="checkbox"/>	UL/ETL
<input type="checkbox"/>	MADE IN USA
<input type="checkbox"/>	CUSTOMER _____
<input type="checkbox"/>	OTHER

LED[®]
LEDTRONICS,™ INC.
 23105 KASHIWA COURT
 TORRANCE, CA 90505

-PROPRIETARY-
 This document contains Proprietary information of LEDTRONICS, INC. It may not be copied, used or disclosed for any purpose without the prior express written consent of LEDTRONICS, INC.

.XXX ± .010 TOLERANCE PER ANSI-Y14.5
 .XX ± .025 (UNLESS OTHERWISE STATED)
 ANGLES ± 0°,30'
 FRACT. ± 1/32

TITLE MTG-CLIP-TBL4520-001					
DWG NO CMHD0715		SCALE 2:1	SHEET 1 OF 1		DATE 11-26-13
CODE IDENT NO. 8Z410	DWG BY MM 11-26-13	CHK BY	QA RD 12-09-13	MFG LD 12-06-13	R&D BJ 12-05-13