

JUN 03 2002 03P



工程文件 制訂 / 變更 通知單

文件編號	DAE-000-212
ECN#:	

文件名稱: H05B	版次	原 1.0 版變更為 一 版	日期	91年5月21日	頁數	共 2 頁
------------	----	----------------	----	----------	----	-------

文件制訂/變更內容描敘:(篇幅不足,請以另紙附上。)

變更項目:

<input type="checkbox"/> 材料變更	處理方式:	<input type="checkbox"/> 舊材料處理方式:
<input type="checkbox"/> 製程變更	<input type="checkbox"/> WIP :	
<input type="checkbox"/> 設備、治具	<input type="checkbox"/> 舊庫存 :	
<input type="checkbox"/> 規格變更		
<input checked="" type="checkbox"/> 新製訂規格		

數 2/13

文件制定/變更理由:(請詳細說明。)

客戶需求,並解決 H01B HOLD 之鬆動問題

*ECN編號由文件中心提供。

JUN 04 2002 採購

制定人	制訂部門主管	品保審核	生技審核	製造審核	工程審核	生產	生技	生管	品保	OEM	
							RD	恆光	外包	業務	苑裡





EVERLIGHT ELECTRONICS CO.,LTD.

DATA SHEET

PART NO. : H05B

DATE : 2002/5/21

DEPARTMENT : R&DI

REVISION : 1.0

RECEIVED			
<input type="checkbox"/> MASS PRODUCTION			
<input type="checkbox"/> PRELIMINARY			
<input type="checkbox"/> CUSTOMER DESIGN			
DEVICE NUMBER :		DAE-000-212	
PAGE :		1	
CUSTOMER	DESIGNER	CHECKER	APPROVER
	研發一部 81.5.21 康華彬	研發部 MAY 21 2002 鍾玉英	

REV.	DESCRIPTION	RELEASE DATE

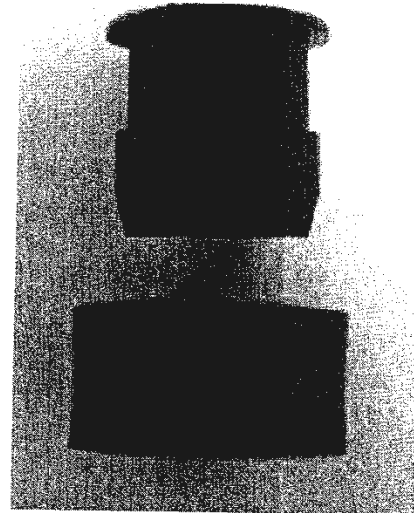
OFFICE : NO. 25, Lane 76, Sec.3, Chung Yang Rd., Tucheng 236, Taipei, Taiwan, R.O.C.
 TEL : 886-2-2267-2000, 2267-9936
 FAX : 886-2-2267-6244, 22676189, 22676306
<http://www.everlight.com>

LED LAMP – Holder - H05B**H05B-Holder****Features**

- Protect LED LAMP
- High efficiency and low cost
- Good control and free combinations on the colors of LED lamps
- Stackable and easy to assembly and fixed position
- Stackable vertically and easy to assembly
- Black color holder

Descriptions

- Used as holder of indicating the degrees, functions, positions etc, in electronic instruments.
- Used the less than 5mm dimension of LED LAMP's holder.
- Appropriate to the 4.7~4.9 mm dimension of LED LAMP's holder.

**Applications**

- Holder=Plastic Holder Combination of LED Lamps.
- The holder will easily assembly and fixed the applicable lamps on any about 4.7~4.9mm LED LAMP.

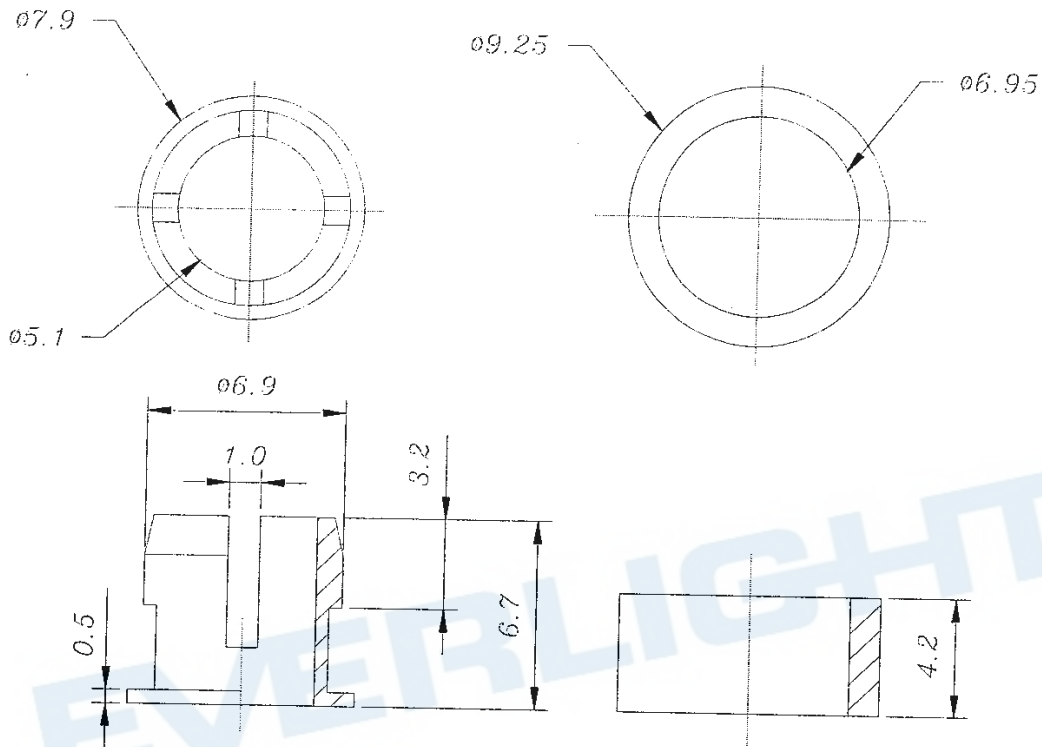


EVERLIGHT ELECTRONICS CO.,LTD.
H01B-Holder

Package Dimensions

Notes:

- 1.All dimensions are in millimeters, tolerance is 0.20mm except be specified.



- 2.Lead spacing is measured where the lead emerge from the package.
- 3.Material:PP.
- 4.Operating Temperature:-40 to +100°C .
- 5.Storage Temperature:-40 to +80°C • .