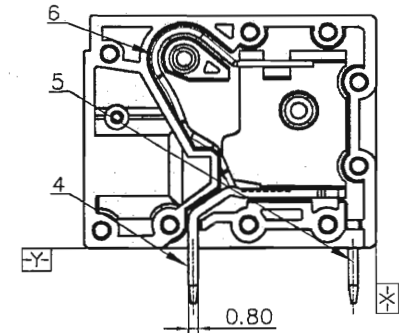
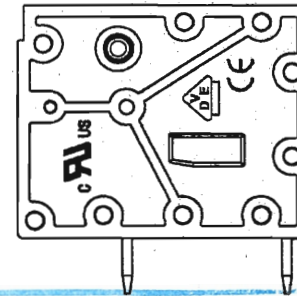
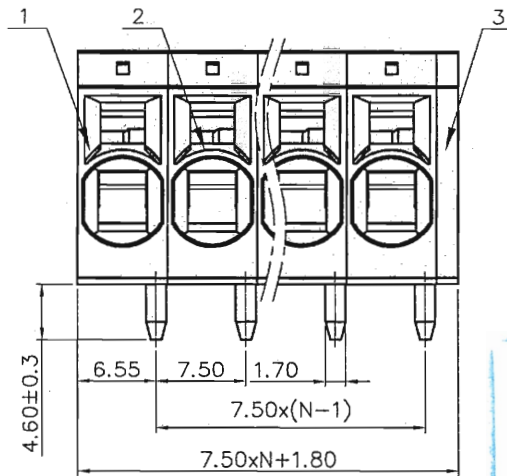
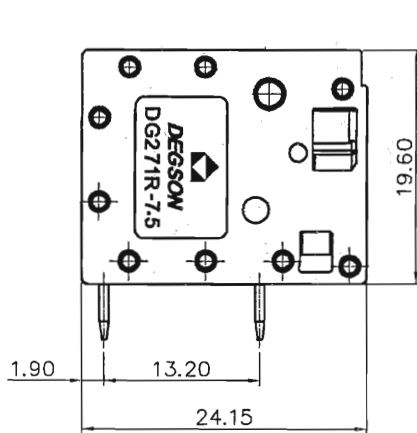


REVISION RECORD				
REV	ECN	DESCRIPTION	DRFT	DATE

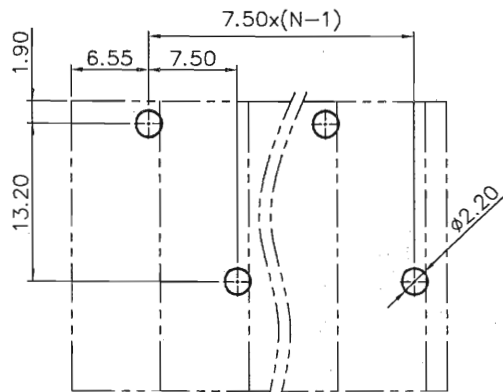


W/O COVER VIEW

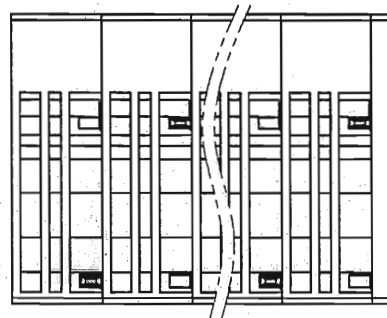
文管中心
研发中心
2015.06.12

NOTES:

1. DIMENSION SHALL BE INTERPRETED PER ASME Y14.5-2009.
2. PITCH: 7.5MM, POLES: N=2-XXP
3. UL: 600V/40A
4. VDE:



P.C.B LAYOUT



(仅限内部使用)

POLLUTION DEGREE	3	2	2
OVERVOLTAGE CATEGORY	III	III	II
RATED IMPULSE VOLTAGE(KV)	8.0KV	8.0KV	8.0KV
RATED VOLTAGE(V)	630V	1000V	1000V
RATED CURRENT(A)	41A	41A	41A

5. LOWER LIMIT TEMPERATURE: -40°C
6. UPPER LIMIT TEMPERATURE: +105°C
7. WIRE RANGE: 24AWG~8AWG, 0.2MM²~6.0MM²
8. STRIPPING LENGTH: 14-15MM
9. UNDIMENSIONED TOLERANCES:

PITCH RANGE IN MM		NOMINAL DIMENSION RANGE IN MM					-	
OVER 10 TO 6	TO 10	OVER 10 TO 24	OVER 30 TO 60	OVER 60 TO 100	OVER 100 TO 150	OVER 150	∩	
±0.10	±0.15	±0.25	±0.20	±0.30	±0.50	±0.70	±1.00	0.05/10

ITEM	NAME OF PART	NO. OF PART	Q"TY	MATERIAL	NOTES
6	DG271V/R-7.5-SPRING	X00D005300(H)	XX	STAINLESS STEEL	
5	DG271R-7.5-RIGHT TERMINAL	3093B00030(H)	XX/2 / (XX-1)/2	COPPER	SN PLATED
4	DG271R-7.5-LEFT TERMINAL	3093B00020(H)	XX/2 / (XX+1)/2	COPPER	SN PLATED
3	DG271R-7.5-COVER	3093CYY01A(H)	1	PA66	UL94V-0
2	DG271R-7.5-CENTER HOUSING	3093AYY01A(H)	XX-1	PA66	UL94V-0
1	DG271R-7.5-END HOUSING	3093AYY01C(H)	1	PA66	UL94V-0

DETACHED LISTS		MATERIAL:	NAME:	
TOLERANCES EXCEPT AS NOTED		FINISH:	DEGSON® 宁波高正电子有限公司	
PART NO.:		NAME:	DEGSON® DEGSON ELECTRONICS CO., LTD	
ANGLES ± 1'		APPD: <i>Approx 6/10/15</i>	TITLE: ASSEMBLY DRAWING	
THIRD ANGLE PROJECTION		CHKD: <i>Xm 6/10/15</i>	DRAWING NO.: DG271R-7.5-E02	
DRFT: XLM 2013/11/28		DO NOT SCALE DRAWING	SCALE: 1:1	SHEET: 1/1

H
G
F
E
D
C
B
A

H
G
F
E
D
C
B
A