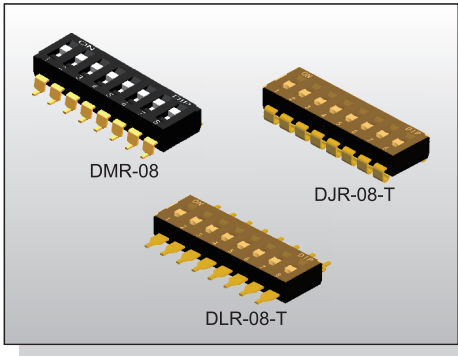


# DIP SWITCH D(M)(J)(L) SERIES

SMT Type



## FEATURES

- ❖ Low profile for space saving
- ❖ Gold contact for high reliability
- ❖ Top tape type for washing process

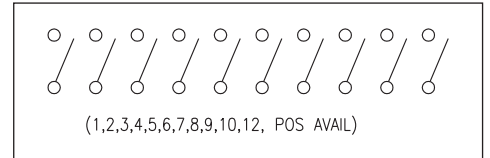
## APPLICATION

- ❖ Industrial control
- ❖ Automatic machines control
- ❖ Telecommunication

## SPECIFICATION

Contact Rating	25mA, 24V DC
Contact Resistance	50mΩ max.
Insulation Resistance	100MΩ min. 500V DC
Dielectric Strength	500V AC/1 minute
Operating Force	1,000gf max.
Travel	1mm
Operating Life	2,000 cycles
Operating Temp.	-20°C ~ +85°C
Storage Temp.	-40°C ~ +85°C

## CIRCUIT



## PACKAGE

### <Tube>

DM(R), DJ(R):  
 01: 130 pcs 02: 76 pcs 03: 55 pcs 04: 42 pcs  
 05: 35 pcs 06: 28 pcs 07: 25 pcs 08: 22 pcs  
 09: 20 pcs 10: 18 pcs 12: 15 pcs

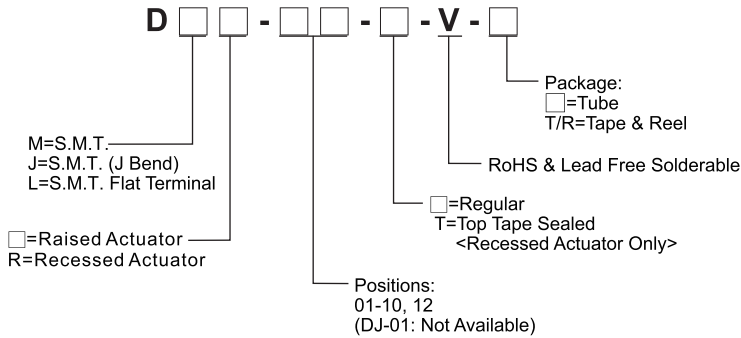
### <Tape & Reel>

DM(R)-01-T-T/R: 800 pcs  
 DMR-02-T-T/R~DMR-12-T-T/R: 900 pcs  
 DM-(01)(05)(07)-T/R: 800 pcs  
 DM-(02)(03)(04)(06)(08)(09)(10)(12)-T/R: 700 pcs  
 DJR-(02)(03)(04)(08)(09)(10)-T-T/R: 1000 pcs

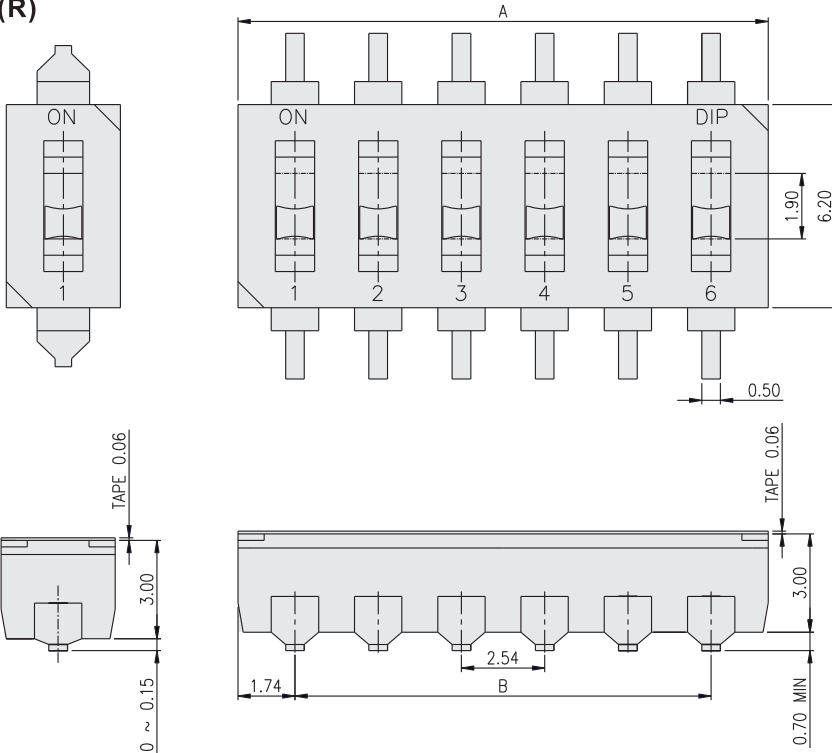
### <Bag>

DL(R): 1000 pcs

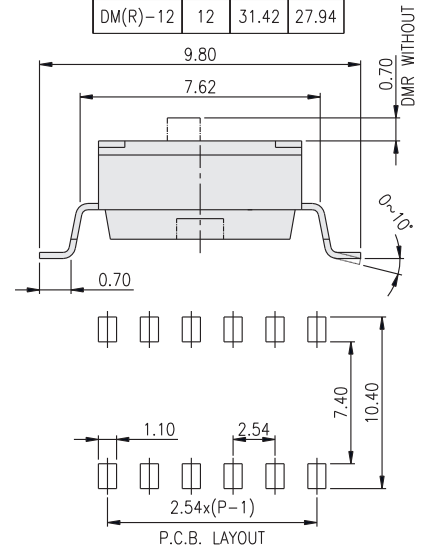
## HOW TO ORDER



## DM(R)



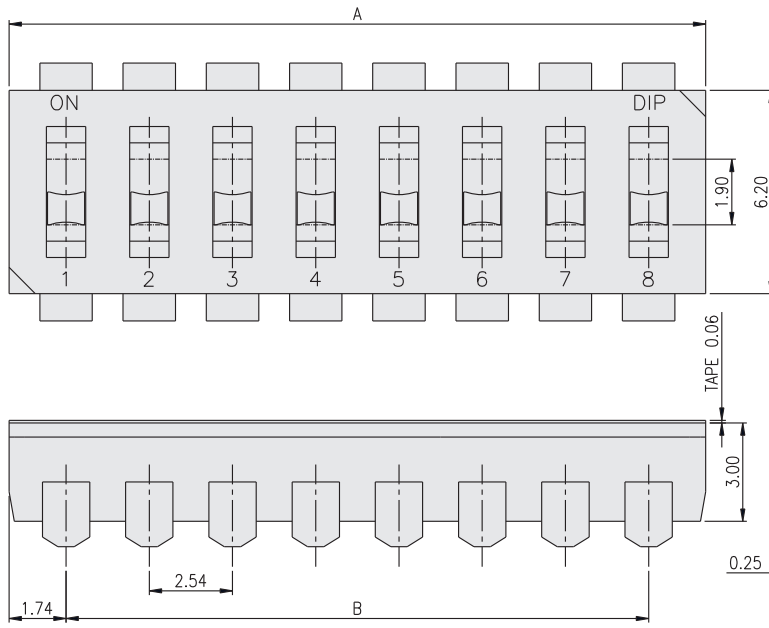
PART NO.	NO.OF POS.	DIM.A	DIM.B
DM(R)-01	1	3.48	
DM(R)-02	2	6.02	2.54
DM(R)-03	3	8.56	5.08
DM(R)-04	4	11.10	7.62
DM(R)-05	5	13.64	10.16
DM(R)-06	6	16.18	12.70
DM(R)-07	7	18.72	15.24
DM(R)-08	8	21.26	17.78
DM(R)-09	9	23.80	20.32
DM(R)-10	10	26.34	22.86
DM(R)-12	12	31.42	27.94



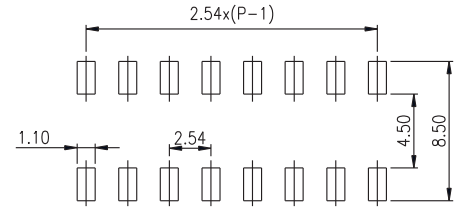
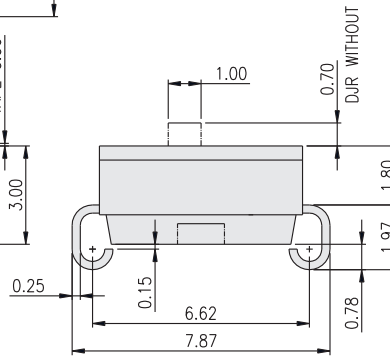
DM(R)-01

DM(R)-02~12

**DJ(R)**

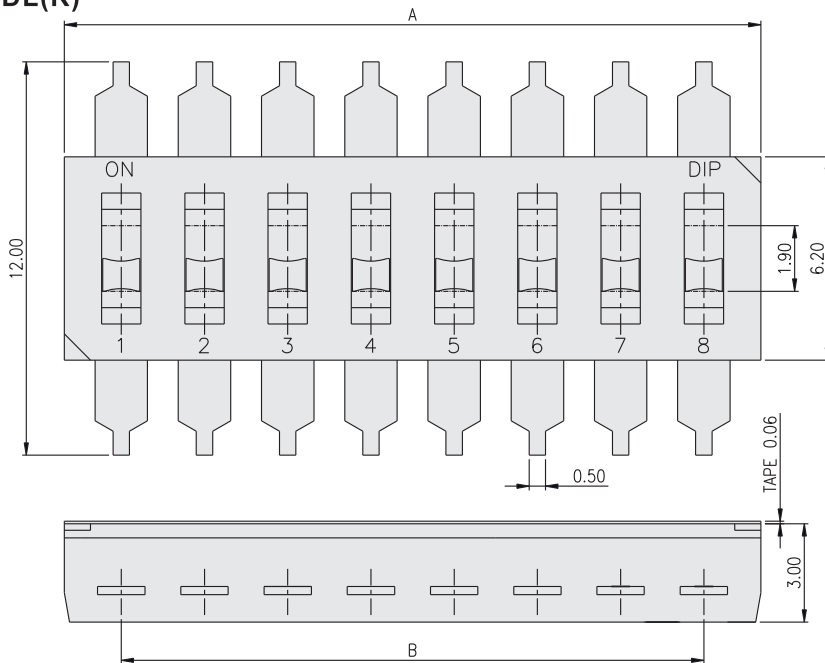


PART NO.	NO.OF POS.	DIM.A	DIM.B
DJ(R)-02	2	6.02	2.54
DJ(R)-03	3	8.56	5.08
DJ(R)-04	4	11.10	7.62
DJ(R)-05	5	13.64	10.16
DJ(R)-06	6	16.18	12.70
DJ(R)-07	7	18.72	15.24
DJ(R)-08	8	21.26	17.78
DJ(R)-09	9	23.80	20.32
DJ(R)-10	10	26.34	22.86
DJ(R)-12	12	31.42	27.94

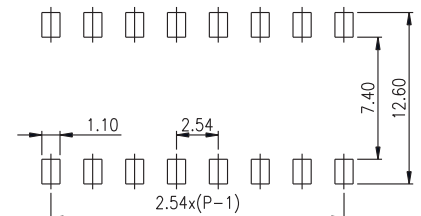
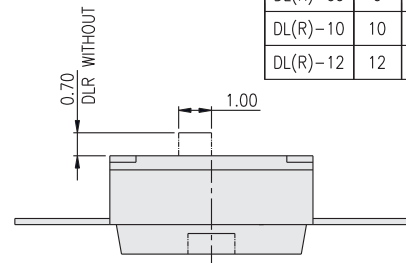


P.C.B. LAYOUT

**DL(R)**



PART NO.	NO.OF POS.	DIM.A	DIM.B
DL(R)-01	1	3.48	/
DL(R)-02	2	6.02	2.54
DL(R)-03	3	8.56	5.08
DL(R)-04	4	11.10	7.62
DL(R)-05	5	13.64	10.16
DL(R)-06	6	16.18	12.70
DL(R)-07	7	18.72	15.24
DL(R)-08	8	21.26	17.78
DL(R)-09	9	23.80	20.32
DL(R)-10	10	26.34	22.86
DL(R)-12	12	31.42	27.94



P.C.B. LAYOUT