

Specifications

Ordering Information

F185-12 XX XX X SY X 1

备注 (Remark)

1. 材料 (MATERIAL)

胶芯: PA6T/PBT+30%G.F UL94V-0, 颜色: 黑色.

Housing: PA6T/PBT+30%G.F UL94V-0, Color: Black

端子: 磷/青铜, 镀底30u"MIN, 表面镀金1u"MIN

Contact: Phosphor bronze, 1u"MIN GOLD PLATING OVER ALL
30u" MIN NICKEL UNDERPLATING OVER ALL

2. 特性 (characteristics):

额定电流: 3 AMP

Rating Current: 3 AMP.

接触阻抗: 20 mΩ MAX.

Contact Resistance: 20 mΩ MAX.

绝缘阻抗: 1000 MΩ MIN.

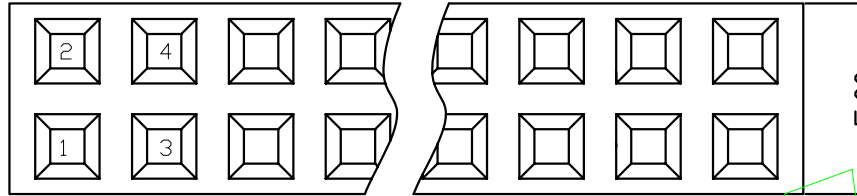
Insulating Resistance: 1000 MΩ MIN.

耐电压: AC 500V.

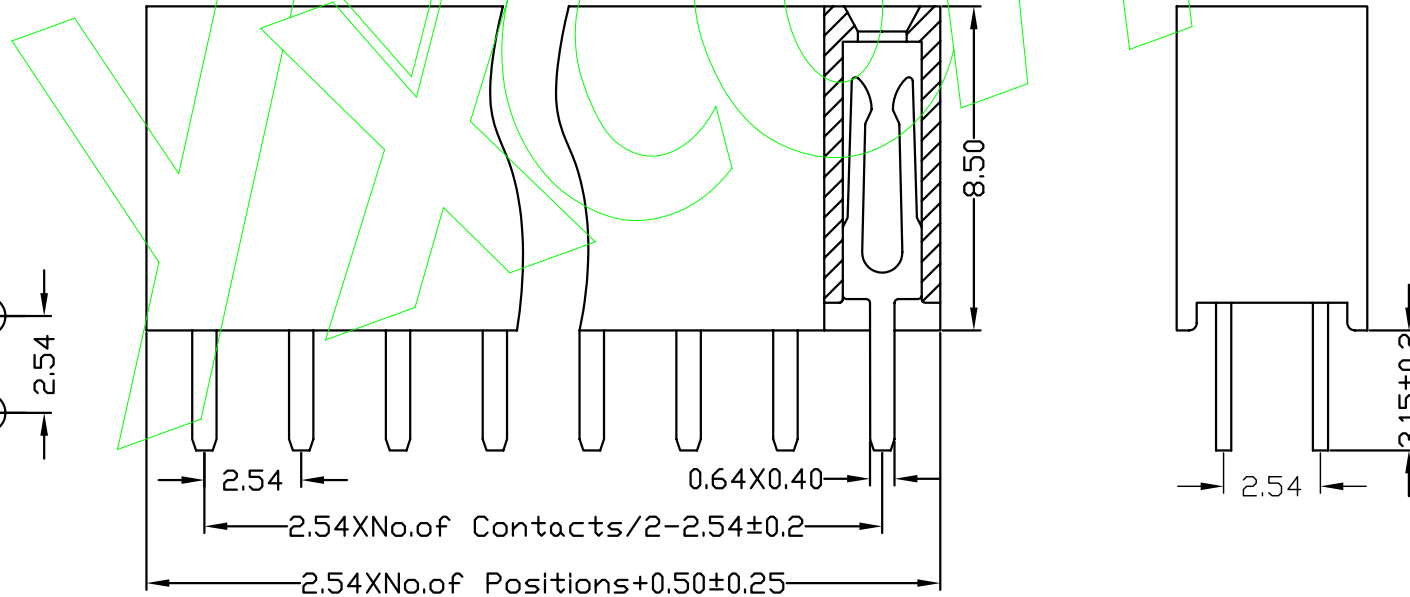
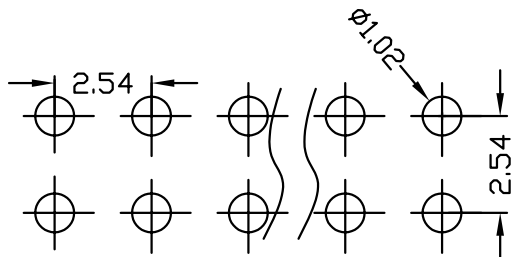
Withstanding Voltage: AC 500V.

温度范围: -40°C to +105°C

Temperture Range: -40°C to +105°C



| NO. OF PINS PER ROW | Contact Plating | | INSULATOR MATERIAL: | PACKING |
|---------------------|--------------------------------|-----------|---------------------|----------------|
| 2~40P | Full Of Gold | Semi-gold | A: PBT | A: PE Bag |
| | A0=0.8u" | B0=0.8U" | B: PA6T | B: Tape & Reel |
| | A1=1u" | B1=1U" | C: PA9T | C: Tube |
| | A2=1.5u" | B2=1.5U" | D: LCP | D: Tube+CAP |
| | A3=2u" | B3=2U" | | E: Tray |
| | A4=3u" | B4=3U" | | |
| | A5=5u" | B5=5U" | | |
| | A6=10u" | B6=10U" | | |
| | A7=15u" | B7=15U" | | |
| | A8=20u" | B8=20U" | | |
| | A9=30u" | B9=30U" | | |
| | S1=Ordinary Tin Plated | | | |
| | S2=Matte Tin Plated | | | |
| | S3=Tin-plated High-temperature | | | |



| | | | | OPERATION | | SCALE | | Fit | | 东莞市宇熙精密连接器有限公司 Dongguan Yuxi Electronic Co., Ltd. | |
|-----|------|--------------------------|--|-----------|---------|-------|-----|--------|-----|--|--------------------------|
| | | | | X.X | ±0.25 | UNIT | | MM | | | |
| | | | | X.XX | ±0.20 | SIZE | A4 | DESIGN | 卢小强 | PART NO. | F185-12XXXXXXSYX1 |
| | | | | X.XXX | ±0.10 | SHEET | 1/1 | CHECK | | TITLE: | 2.54mm 双排母 塑高8.5 180度 Y型 |
| REV | DATE | MODIFICATION DESCRIPTION | | CHANGE | APPROVE | DIM | TOL | PROJ. | | APPROVE | Customer No. |