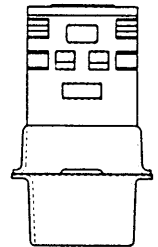
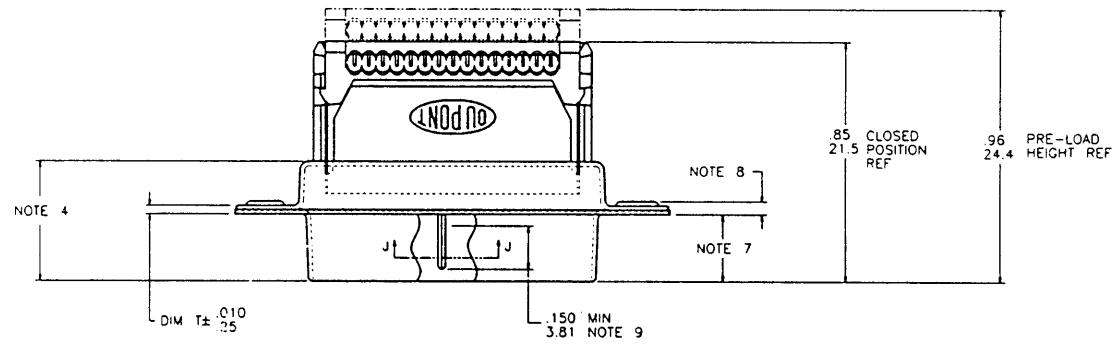
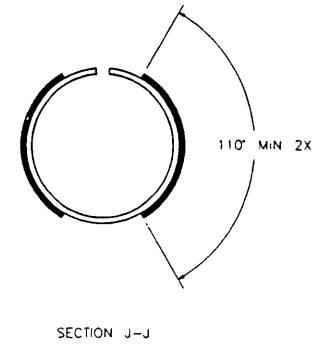
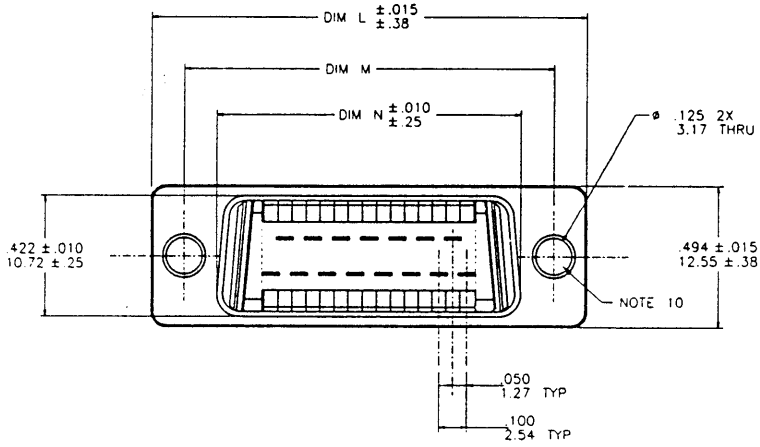


→ IF RED ←

PRODUCT NUMBER  
SEE TABLE



REVISIONS				SHEET INDEX	ISSUE				T	S	T	T	T	T	T	T	T	T	T				
REV	ECN/DDR#	BY	DATE		SH NO.	1	2	3												4			
S	REDRAWN	JRL	3/16/90																				
T	EC-V31744	MSC	11/16/93																				
				TOLERANCES UNLESS OTHERWISE SPECIFIED				MAY				DR J. LINN				DATE 3/16/90				CUSTOMER COPY			
				LINEAR				.002 .01 / .02 3				FINISH -				ENGR M. SMYK				DATE 3/16/90			
								.0002 .0020 / .0002 .051				PRODUCT FAMILY D-SUB				CHK M. SMYK				DATE 3/16/90			
				ANGLES				0 ± 2				APPRO M. SMYK				DATE 3/16/90							

**BERG ELECTRONICS**

TITLE: MALE D-SUB CONNECTOR METAL VERSION (BLACK)

SCALE: 5/1 D

SIZE: 66169

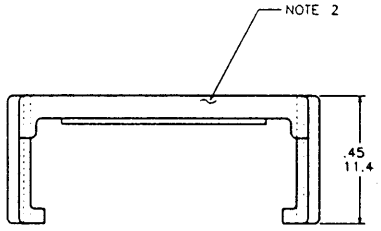
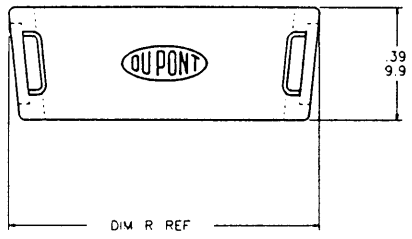
SHEET: 1 OF 4

FORM E-3067 REV 8/93

NOTE: THIS DOCUMENT IS THE PROPERTY OF AND EMBODIES PROPRIETARY INFORMATION OF BERG ELECTRONICS, INC. NO PART OF THE INFORMATION SHOWN ON THIS DOCUMENT MAY BE USED IN ANY WAY WITHOUT THE WRITTEN CONSENT OF BERG ELECTRONICS, INC.

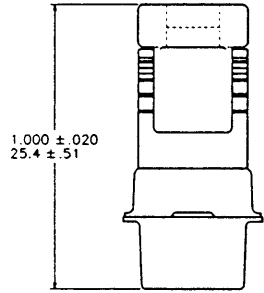
→ IF RED ←

PRODUCT NUMBER  
SEE TABLE



STRAIN RELIEF

CONNECTOR WITH STRAIN RELIEF CLOSED



REVISIONS				SHEET INDEX	ISSUE SH NO.										
REV	ECN/DDR#	BY	DATE			TOLERANCES UNLESS OTHERWISE SPECIFIED	MAT	DR	ENGR	DATE	CUSTOMER COPY	THIRD ANGLE PROJ	SCALE	SIZE	DWG. NO.
S					0.01 / 0.3		J. LINN		3/16/90			5/11	D	66169	2 of
					0.001 / 0.0013		M. SMYK		3/16/90						
					0.0002 / 0.00051		M. SMYK		3/16/90						
					0 ± .7		M. SMYK		3/16/90						

**BERG ELECTRONICS**

TITLE: MALE D-SUB CONNECTOR METAL VERSION (BLACK)

SCALE: 5/11 D

DWG. NO.: 66169

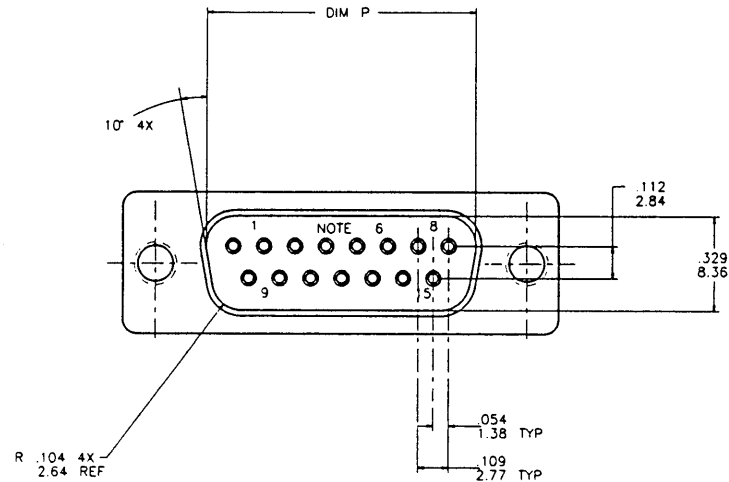
SHEET: 2 of

FORM E-3067 REV 8/93

NOTE: THIS DOCUMENT IS THE PROPERTY OF AND EMBODIES PROPRIETARY INFORMATION OF BERG ELECTRONICS, INC. NO PART OF THE INFORMATION SHOWN ON THIS DOCUMENT MAY BE USED IN ANY WAY WITHOUT THE WRITTEN CONSENT OF BERG ELECTRONICS, INC.

PRODUCT NUMBER

SEE TABLE



NOTES

- ① MATERIAL:
  - A METAL SHELL: STEEL WITH TIN-LEAD OVER COPPER UNDERPLATE
  - B SUB-ASS'Y & COVER: GLASS FILLED THERMOPLASTIC, FLAME RETARDANT PER UL 94V-0 COLOR: BLACK
  - C CONTACTS: COPPER BASED ALLOY
  - D STRAIN RELIEF MAT'L: THERMOPLASTIC POLYESTER, FLAME RETARDANT PER UL 94V-0 COLOR: BLACK
- ② LOOSE PIECE STRAIN RELIEF INCLUDED. SEE SHEET 2 AND TA-451 FOR DIMENSIONS
- ③ I.D.C. END MATES WITH 28 AWG-7 STRAND CABLE AND 30 AWG-SOLID CABLE ON .050/1.27 CENTERS
- ④ CONNECTORS WITH 9 & 15 POS ARE .422±.010 /10.72±.25 AND; CONNECTORS WITH 25 & 37 POS ARE .426±.010/10.28±.25
- ⑤ PARTS TO BE PACKAGED IN LOTS OF 100
- ⑥ FOUR END POSITIONS NUMBERED APPROXIMATELY AS SHOWN
- ⑦ .233±.005-.004/5.92±.13-.10 FOR 9 & 15 POS  
.230±.006/5.84±.15 FOR 25 & 37 POS
- ⑧ .046±.010/1.17±.25 FOR 9 & 15 POS  
.064±.010/1.63±.25 FOR 25 & 37 POS
- ⑨ LOCATION OF CONTACT PLATING
- ⑩ SERIES 6XX HAS THREADED INSERT #4-40 UNC.

REVISIONS				SHEET INDEX	ISSUE SH NO.					CUSTOMER COPY	TITLE	SCALE	SIZE	DWG. NO.	SHEET		
REV	ECN/DDR#	BY	DATE														
T																	
				TOLERANCES UNLESS OTHERWISE SPECIFIED	MAT	DR	DATE										
				.00±.01 / .02±.03	FINISH	ENGR	J. LINN	3/16/90					MALE D-SUB CONNECTOR METAL VERSION (BLACK)				
				LINEAR .000±.005 / .002±.013	PRODUCT FAMILY	CHK	M. SMYK	3/16/90									
				.0000±.0020 / .000±.0051	D-SUB	APPD	M. SMYK	3/16/90						SCALE: 5/11 D 66169 3 OF 3			
				ANGLES 0±.7	UNIT	MM	M. SMYK	3/16/90					FORM E-3067 REV 8/93				

NOTE: THIS DOCUMENT IS THE PROPERTY OF AND EMBODIES PROPRIETARY INFORMATION OF BERG ELECTRONICS, INC. NO PART OF THE INFORMATION SHOWN ON THIS DOCUMENT MAY BE USED IN ANY WAY WITHOUT THE WRITTEN CONSENT OF BERG ELECTRONICS, INC.

→ IF RED ←

PRODUCT NUMBER	NO. OF POS.	DIM L	DIM M	DIM N	DIM P	DIM R	DIM T	SHELL PLATING	MINIMUM PLATING		
									CONTACT (FRONT END)	IDC (BACK END)	
66169-009		UNAVAILABLE							30u/0.76u" Au OVER 50u/1.27u" Ni	50u/1.27u" Ni	
-015		UNAVAILABLE									
-025		UNAVAILABLE									
-037		UNAVAILABLE									
-109	9	1.213/30.81	.984/24.99	.759/19.28	.666/16.92	.775/19.69	.030/.76	NOTE 1 A			
-115	15	1.541/39.14	1.312/33.32	1.083/27.51	.994/25.25	1.103/28.02	.030/.76	NOTE 1 A			
-125	25	2.084/52.93	1.852/47.04	1.625/41.28	1.534/38.69	1.643/41.73	.039/.99	NOTE 1 A			
-137	37	2.729/62.32	2.500/63.50	2.272/57.71	2.182/55.42	2.291/58.19	.039/.99	NOTE 1 A			
-409		UNAVAILABLE							15u/0.38u" Au OVER 50u/1.27u" Ni	50u/1.27u" Ni	
-415		UNAVAILABLE									
-425		UNAVAILABLE									
-437		UNAVAILABLE									
-509	9	1.213/30.81	.984/24.99	.759/19.28	.666/16.92	.775/19.69	.030/.76	NOTE 1 A			
-515	15	1.541/39.14	1.312/33.32	1.083/27.51	.994/25.25	1.103/28.02	.030/.76	NOTE 1 A			
-525	25	2.084/52.93	1.852/47.04	1.625/41.28	1.534/38.69	1.643/41.73	.039/.99	NOTE 1 A			
-537	37	2.729/62.32	2.500/63.50	2.272/57.71	2.182/55.42	2.291/58.19	.039/.99	NOTE 1 A			
66169-615	15	1.541/39.14	1.312/33.32	1.083/27.51	.994/25.25	1.103/28.02	.030/.76	NOTE 1 A	30u/0.76u" Au OVER 50u/1.27u" Ni	50u/1.27u" Ni	NOTE 10

REVISIONS				SHEET INDEX	ISSUE SH NO	TOLERANCES UNLESS OTHERWISE SPECIFIED				MAY	DR	DATE	CUSTOMER COPY
REV	ECN/DDR#	BY	DATE			LINEAR	ANGLES	FINISH	ENGR				
T													
						0.02 .01 / 0.2 .3						3/16/90	
						0.002 .005 / 0.02 .13	PRODUCT FAMILY					3/16/90	
						0.0002 .0020 / 0.002 .051	D-SUB					3/16/90	
						0 ± .7						3/16/90	

**BERG ELECTRONICS**

TITLE				MALE D-SUB CONNECTOR METAL VERSION (BLACK)			
UNIT	INCH	SCALE	SIZE	TOL.	NO.	SHEET	
1/1	D	66169	4				

NOTE: THIS DOCUMENT IS THE PROPERTY OF AND EMBODIES PROPRIETARY INFORMATION OF BERG ELECTRONICS, INC. NO PART OF THE INFORMATION SHOWN ON THIS DOCUMENT MAY BE USED IN ANY WAY WITHOUT THE WRITTEN CONSENT OF BERG ELECTRONICS, INC. FORM E-3067 REV 8/93