

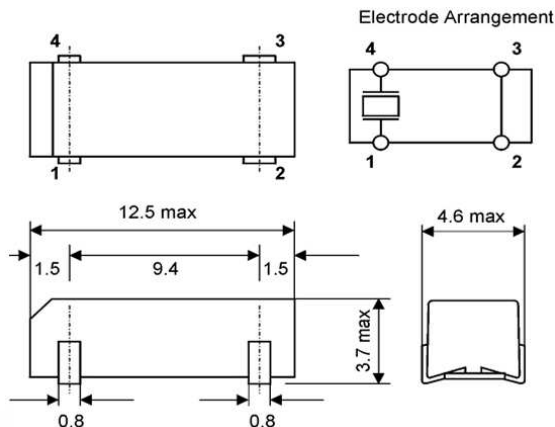


## Quartz Crystal

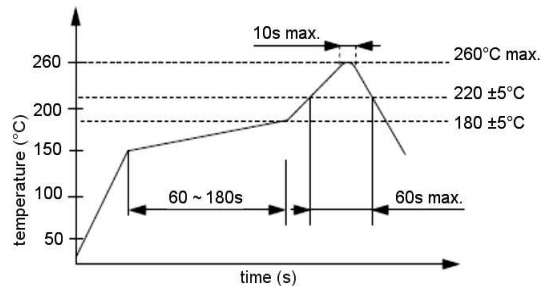
SMD-version

part no.	12.xxxxx
model	KX - C
frequency range	3.50 ~ 24.0 MHz
mode	fundamental, 3 <sup>rd</sup> overtone upon request
operating temperature	standard -20° ~ + 70°C available -40° ~ + 85°C (=KX-CT) available -40° ~ +105°C (=KX-CE)
frequency tolerance at +25°C	±50 ppm
temperature tolerance at -20° ~ + 70°C -40° ~ + 85°C -40° ~ +105°C	± 50 ppm ±100 ppm ±120 ppm
load capacitance C <sub>L</sub>	standard: 16 pF, avail. 12 ~ 20 pF
series resistance R1 max.	3.5 ~ 3.9 MHz 150 Ohm 4.0 ~ 5.99 MHz 120 Ohm 6.0 ~ 7.99 MHz 80 Ohm 8.0 ~ 9.99 MHz 60 Ohm > 10.0 MHz 50 Ohm
aging at +25°C (first year) max.	±5 ppm
shunt capacitance C <sub>0</sub> max.	7.0 pF
drive level max.	0.1 mW
contents of reel	1000 pcs.

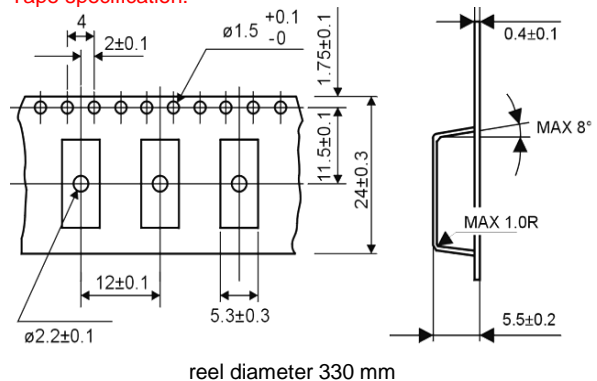
Dimensions (mm):



Reflow soldering condition:



Tape specification:



Suggested soldering pad:

