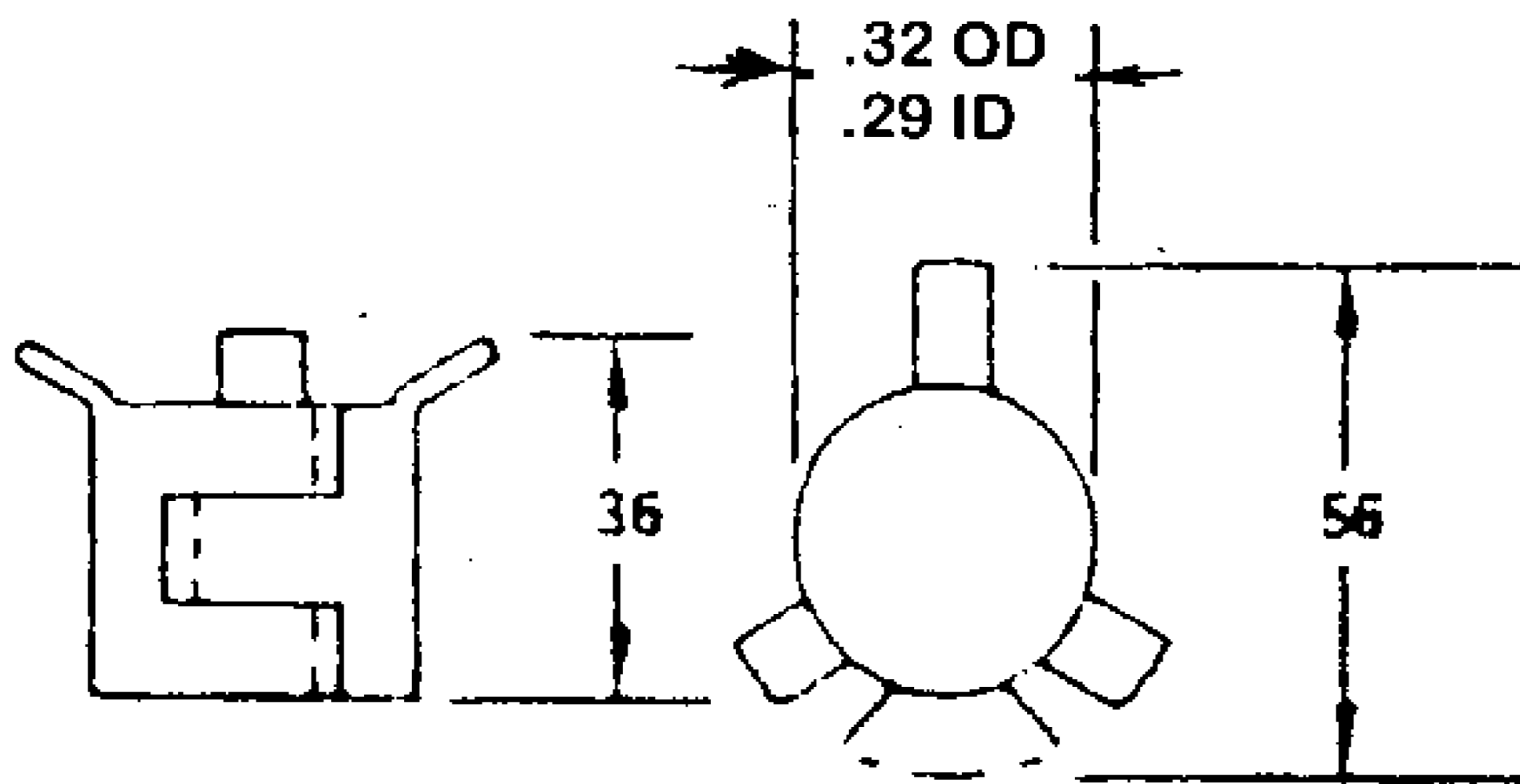


| LTR | REVISION | DATE | APPD |
|-----|-----------------|----------|------|
| | REFIASED | 09-16-96 | PL |
| A | .32 DIM WAS .27 | 09-30-96 | |



NOTES:

- MATERIAL: SPRING STEEL, CADMIUM PLATED AND CHROMATE FINISH

LED[®]
LEDTRONICS,™ INC.
 23105 KASHIWA COURT
 TORRANCE, CA 90505

-PROPRIETARY-
 This document contains Proprietary information of **LEDTRONICS, INC.**
 It may not be copied, used or disclosed for any purpose without the prior express written consent of **LEDTRONICS, INC.**

.XXX ± .010 TOLERANCE PER ANSI-Y14.5
 .XX ± .025 (UNLESS OTHERWISE STATED)
 ANGLES ± 0°.30'
 FRACT. ± 1/32

| TITLE | | | |
|-----------------------|--------|--------------------|----------|
| MTG CLIP MC290 | | | |
| DWG NO | SCALE | SHEET | DATE |
| HDSK0014 | NTS | 1 OF 1 | 09-16-96 |
| CODE IDENT NO. | DWG BY | CHK BY | QC |
| 8Z410 | SMA | <i>[Signature]</i> | |
| | | | CUSTOMER |