

客 戶:

IBS

CUSTOMER

客戶料號:

CUSTOMER PART NO

品 名:

DESCRIPTION

CHOKE

規 格:

SPECIFICATION

T20\*12\*10 4P case

本司料號:

COMPANY PART NO

HJ-L1880

日 期:

DATE

2019-10-19

SPECIFICATION FOR APPROVAL

承認書

承 認 印 CUSTOMER APPROVE			承 認 項 目 APPROVAL TYPE
APPROVED BY	CHECKED BY	PREPARED BY	<input type="checkbox"/> ALL <input type="checkbox"/> PART <input type="checkbox"/> REVISED

DongGuan City Hang Jin Electronics Co., Ltd



Startek Electronic

TEL : 0769-87283416, 87196260

FAX : 0769-87283415

E-mail : [HJDZYXGS@126.COM](mailto:HJDZYXGS@126.COM)

ADD:Third Floor NO.27 ZhenChang Road GuanCang Community, ZhangMuTou Town

DongGuan City.

# DONGGUAN CITY HANGJIN ELECTRONICS CO., LTD

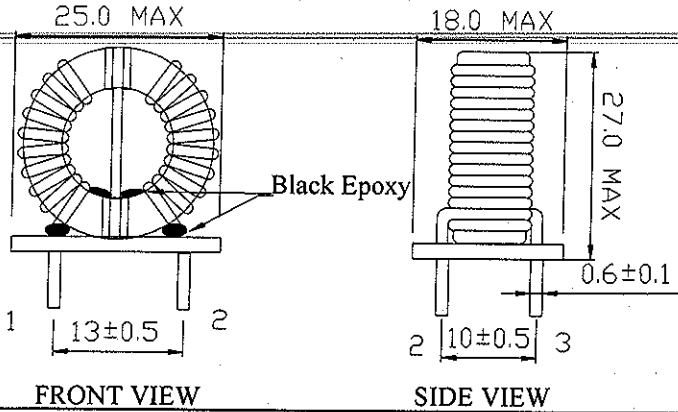
## SAMPLE TEST REPORT

DATE: 2019. 10. 19

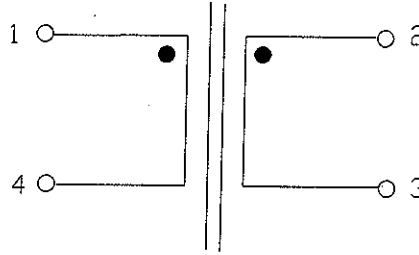
CUSTOMER	IBS	DESCRIPTION	T20*12*10	TESTED QTY	5pcs
TEST BASIS	SAMPLE <input type="checkbox"/>	DESIGN STRUCTURE <input checked="" type="checkbox"/>	TEST CRITERION <input type="checkbox"/>	OTHERS <input type="checkbox"/>	
<b>一. SENSIBILITY TEST</b>					
TEST CONDITION	1KHZ 1V 25°C	PIN	N1:1--4	N2:2--3	
TEST CONTENT	SENSIBILITY (mH)				RESULT
SAMPLE NO.	9mH MIN	9mH MIN	DCR	110mΩ MAX	110mΩ MAX
					OK NG
1	21.0	21.0		104	104
2	19.4	19.4		102	102
3	13.7	13.7		104	104
4	20.7	20.7		104	104
5	18.1	18.1		105	105
<b>二. HI-POT TEST</b>					
TEST POINT	TEST CONDITION	RESULT			
COIL-COIL	AC 1500V/5mA/60S	OK			
COIL-COIL	DC 500V/100MOHM MIN	OK			
<b>三. OUTLOOK TEST</b>					
OUTLOOK	LENGTH	WIDTH	HEIGHT	PIN PITCH	ARRAY PITCH
PASS	PASS	PASS	PASS	PASS	PASS
NOTE:					
INSTRUMENT USED: TONGHUI HT2820 LCR HUAYI HY-7112 HI-POT					
APPROVER: Song Jian Ping      CHECK : Song Li Xia      ADMIT: Tony					

# PRODUCTION SPECIFICATION

CUSTOMER	IBS	PRODUCTION	T20*12*10	DATE	10/19/2019
1.DIMENSION (UNIT: mm)				NO.	HJ-L1880



## 2.SCHEMATIC:



## 3.ELECTRONIACS,WIRE&TURNS(AT:1KHZ 1V)

WINDING	START	FINISH	WIRE (mm)	TURN (TS)	INDUCTANCE	DCR
N1	1	4	0.6Φ*1C N 1UEW	35.5 REF	9mH MIN	110mΩ MAX
N2	2	3	0.6Φ*1C N 1UEW	35.5 REF	9mH MIN	110mΩ MAX
HI-POT			COIL-COIL		AC 1500V/5mA/60S	
INSULATION RESLATANCE			COIL-COIL		DC 500V/100MOHM MIN	

Test instrument will be HT2820 of TongHui or HY-7221 of HuaYi or equivalent

## 4.MATERIAL LIST

ITEM	MATERIAL	SUPPLER	UL
CORE	T20*12*10 R10K	DONGGUAN ZHIDI ELECTRONICS CO., LTD	
CASE	PBT	CHANG CHUN CHEMICAL (ZHANGZHOU) CO LTD	E304813
WIRE	1UEW 130°C	TAI-I COPPER (GUANZHOU) CO., LTD	E234896
SN	SNCU	DONGGUAN BEST ALLOYS CO., LTD	
EPOXY	BLACK EPOXY E-500 (XX)	DONGGUAN EATTO ELECTRONIC MATERIAL CO LTD	E218090
VARNISH	T4260	SUZHOU TAIHU ELECTRIC ADVANCED MATERIAL CO LTD	E228349
PCB	FR-4	KINGBOARD LAMINATES HOLDINGS LIMITED	E123995

Note: 1. the finished product must be impregnated; 2. lead-free processing; 3. Add Partition Board in the middle and fix it with black glue; 4. The bottom of the coil is provided with a base plate and the black Glue is fixed (as shown)

APPROVER: Song Jian Ping

CHECK: Song Li Xia

ADMIT: Tony