

Right-angle SMT type male board connector RMCB-16(10)LMY-OM06-A

For PCB

Right-angle SMT

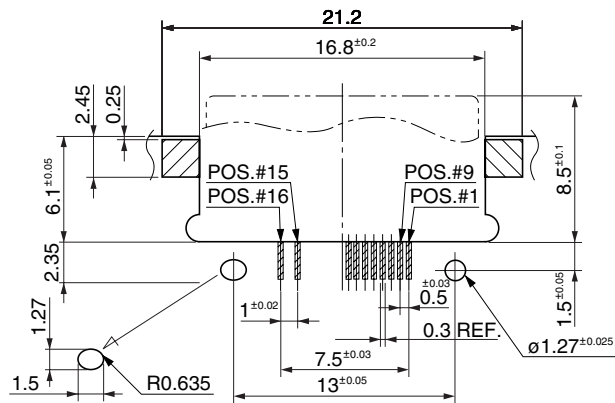
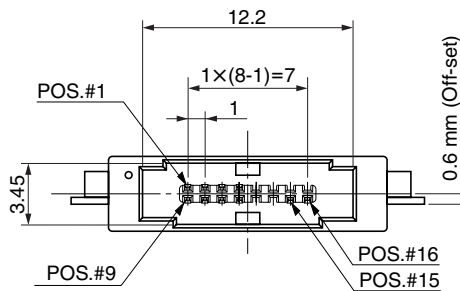
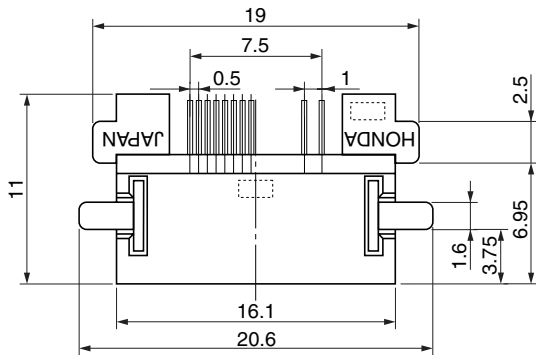
High Breakdown Voltage



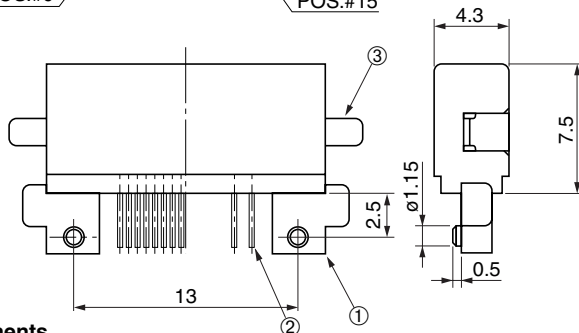
● Configuration of product Part No.

RMCB- 16(10) LMY- OM06- A

- | | | | |
|---|--|-----------|----------|
| ① | Series name | ⑤ | Polarity |
| ② | No. of contacts | A: A type | |
| | 16 : 16 contacts | | |
| | 16 (10): 10 contacts out of 16 are used. | | |
| ③ | Type of contact | | |
| | LMY: Right angle SMT type, male | | |
| ④ | Off-set | | |
| | OM06: Off-set 0.6 mm | | |



PCB layout for reference only



● Components

①	Insulator
②	Contacts
③	Hold downs

- For embossed taping package (Part No.: RMCB-16(10)LMY-OM06-A-TP), one reel carries 1,000 pieces. (Reel diameter: 380 mm, Embossed tape width: 44 mm)
- Some models may not be quickly supplied depending on the configuration of part number. For the availability of the model required, consult your supplier.

Mating connectors: RMCB-16(10)FS-A